

This Owner's Manual is provided and hosted by [Appliance Factory Parts](#).



# BROAN 355SOBK Owner's Manual

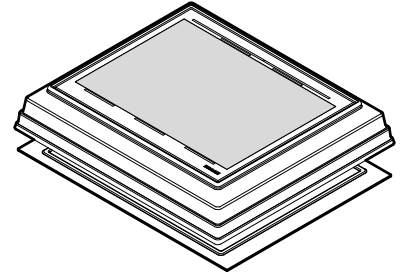
[Shop genuine replacement parts for BROAN 355SOBK](#)



[Find Your BROAN HVAC Parts - Select From 1309 Models](#)

----- Manual continues below -----

# ROOF MOUNT SOLAR POWERED ATTIC VENTILATOR



**Powerful and easy to install, these ventilators supplement air conditioning by automatically removing the blanket of hot, trapped air from attics without the need of AC power.**

### FEATURES

- High efficiency 20 watt multicrystalline solar panel with high transmission tempered glass withstands up to 1" diameter hail and operates from dawn to dusk even in hazy conditions.
- Precision balanced 12" diameter, one piece, aluminum, 5 blade fan with optimum pitch for maximum air flow and minimum sound.
- 0.100" thick acrylic capped ABS plastic dome and base provide ultraviolet protection and superior durability. Available in black, brown and weather wood.
- Heavy gauge corrosion resistant stainless steel screen with 0.125" square openings provide maximum protection from animals without impeding air flow.
- Whisper quiet, direct current, variable voltage (1-38 VDC) motor with permanently lubricated sealed ball bearings, hardened stainless steel shaft, zinc plated steel motor housing, dynamically balanced for superior performance.
- 16 AWG stainless steel brackets and stainless steel hardware provide sound construction and excellent corrosion resistance.
- Mounts easily between rafters.
- Can replace existing powered attic ventilators.

CONTROLS DESIGNED FOR USE WITH THESE PRODUCTS (purchase separately):

- Model CWT50 thermostat turns ventilator off when temperature falls below 50°F

### TYPICAL SPECIFICATION

Roof Mount Solar Powered Attic Ventilator shall be Broan Model 355SOBK (355SOBR) (355SOWW).

Ventilator to be rated for attics up to 1600 square feet.

Ventilator shall mount easily between rafters or wall studs.

Solar panel to be rated at 20 watts and have high transmission, tempered glass.

Motor shall be direct current (DC), variable voltage, sealed, permanently lubricated, and corrosion resistant.

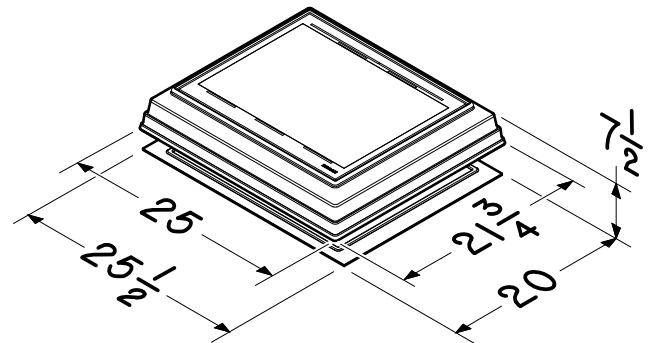
Fan blade to be metal, balanced, and corrosion resistant.

Dome and base must be constructed of ultraviolet resistant plastic.

Brackets, hardware and screen shall be corrosion resistant stainless steel.

### SPECIFICATIONS

| MODEL   | COLOR        | ATTIC MAX. SQ. FT. | MIN INLET AREA SQ. FT. |
|---------|--------------|--------------------|------------------------|
| 355SOBK | BLACK        | 1600               | 4.25                   |
| 355SOBR | BROWN        | 1600               | 4.25                   |
| 355SOWW | WEATHER WOOD | 1600               | 4.25                   |



Broan-NuTone LLC Hartford, Wisconsin www.broan.com 800-558-1711

| REFERENCE | QTY. | REMARKS | Project      |      |
|-----------|------|---------|--------------|------|
|           |      |         | Location     | Date |
|           |      |         | Architect    |      |
|           |      |         | Engineer     |      |
|           |      |         | Contractor   |      |
|           |      |         | Submitted by |      |