

This Owner's Manual is provided and hosted by [Appliance Factory Parts](#).



Shop Vac LL600 Owner's Manual

[Shop genuine replacement parts for Shop Vac LL600](#)



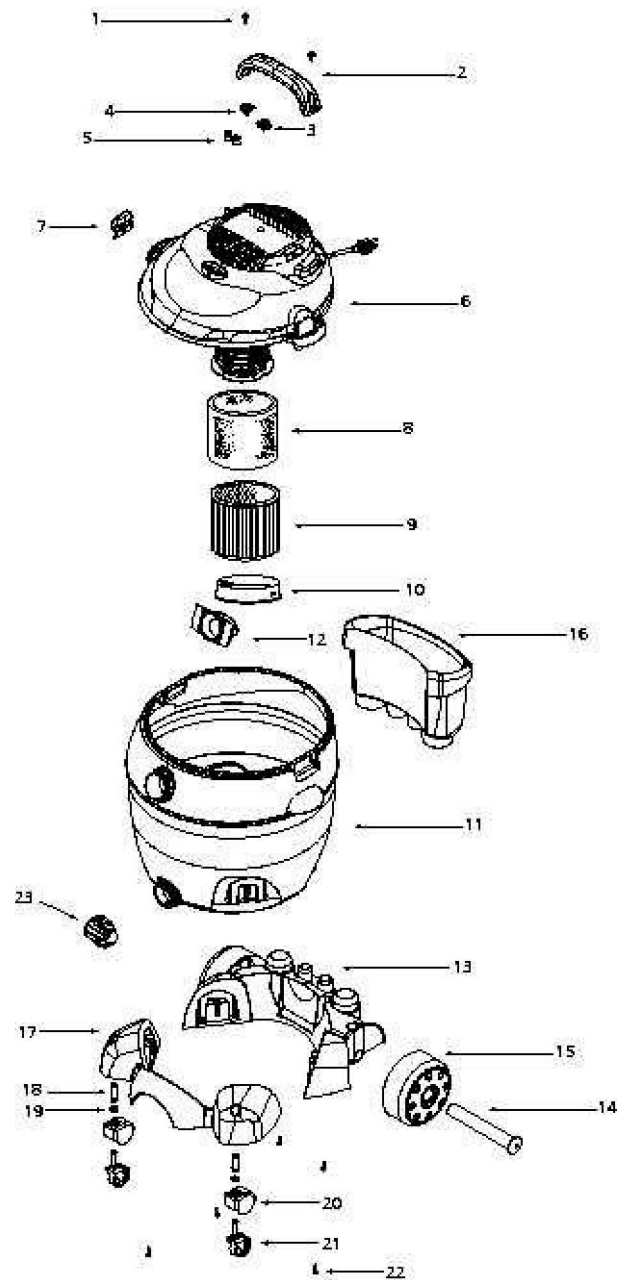
[Find Your Shop Vac Vacuum Cleaner Parts - Select From 487 Models](#)

----- Manual continues below -----

shop-vac®

Model - LL600

Catalog 9301611
(16 Gal.) LOWES



ITEM	DESCRIPTION	PART NO.
1	Screw 1/4 x 3/4 Trilobe T25 HD	1515 999
2	Handle	7441400
3	Switch Button - Red	7441510
4	Switch Button - Green	7441500
5	Spring	2302399
6	Power Unit Assembly	723 0 2 97
7	Lid Latch	7441 600
8	Foam Sleeve	905S562
9	Cartridge Filter	9030462
10	Filter Retainer	3003000
11	Tank Assembly	73 9 2 697
12	Inlet Deflector	7413100
13	Rear Wheel Dolly/Tool Holder	7440200
14	Axle	7410900
15	Rear Wheel	7440400
16	Accessory Basket	9065 300
17	Front Castor Dolly	7430250
18	Retainer	3565700
19	Flatwasher	0704399
20	Caster Cover	7443 001
21	Caster	6773 900
22	Screw 10 x 3/4 5L HX HD	1503 999
23	Drain Cover	7443422

STANDARD ACCESSORIES

- 8' x 2-1/2" hose
- 2 - 2-1/2" extension wands
- 14" floor nozzle w/ brush
- 2-1/2" crevice tool
- 8" utility nozzle
- hose holder
- 14" squeegee insert

FOUR-YEAR HOME USE WARRANTY

Your Shop-Vac® vacuum cleaner is warranted in normal household use, in accordance with the User Manual, against original defects in material and workmanship for a period of four years from date of purchase. Should this product be used for commercial or rental use, a 90 day limited warranty will apply. Shop-Vac Corporation warrants placing this vacuum cleaner in correct operating condition, by repair or parts replacement, during the warranty period, without charge. This warranty does not cover accessories. Use of non-recommended filters and/or accessories may void the manufacturer's warranty.