

This Owner's Manual is provided and hosted by [Appliance Factory Parts](#).



# BROAN 9815WH Owner's Manual

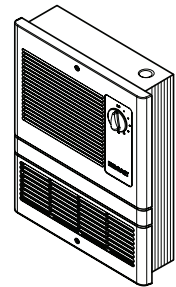
[Shop genuine replacement parts for BROAN 9815WH](#)



[Find Your BROAN HVAC Parts - Select From 1309 Models](#)

----- Manual continues below -----

# MODELS 9810WH, 9815WH FAN-FORCED WALL HEATERS



### FEATURES

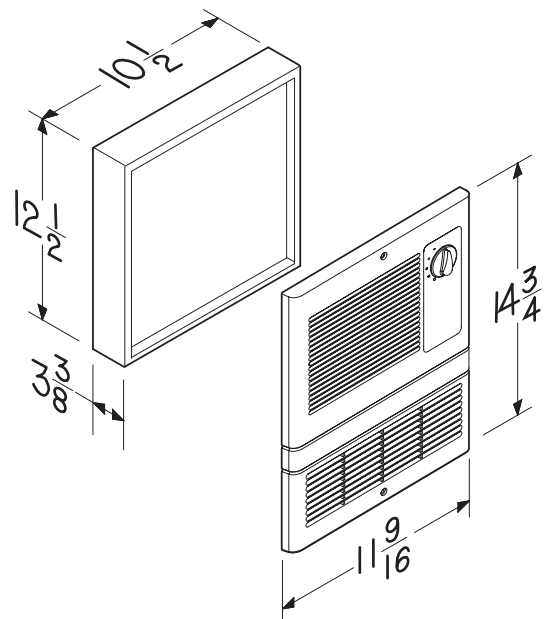
- Attractive white grille - exceptionally durable and heat resistant.
- Quiet fan and downflow action circulates heated air quickly.
- Two models offer wattage choice: 1000W or 1500W. Heaters easily wired at installation for 120V or 240V. Over temperature protected by thermal fuse.
- Built-in adjustable thermostat. Quiet thermally-protected motor and transverse flow blower.
- Long-life bearings with extra large oil reservoir.
- Hang tab aids installation.

### SPECIFICATIONS

<b>Electrical Rating:</b>	120/240 Volts 9810WH: 1050 Total Watts 9815WH: 1550 Total Watts
<b>Housing Dimensions:</b>	12-1/2" x 10-1/2" x 3-3/8"
<b>Housing Material:</b>	Galvanized steel
<b>Grille Dimensions:</b>	14-3/4" x 11-9/16"
<b>Grille Material:</b>	Polymeric
<b>Grille Finish:</b>	White
<b>Impeller Type:</b>	Tangential
<b>Impeller Dimensions:</b>	7-1/8" x 2-3/8"
<b>Element Type:</b>	Coiled resistance wire
<b>Wattage:</b>	9810WH: 1000 9815WH: 1500
<b>Element Material:</b>	Nickel-Chromium
<b>Motor:</b>	Thermally protected, shade pole, sleeve bearings
<b>Switch Type:</b>	On/Off switch provided as part of thermostat.

### TYPICAL SPECIFICATION

Fan Forced Wall Heater shall be Broan Model 9810WH (9815WH) manufactured according to listed specifications.



### INSTALLATION

Complete instructions included with each unit.

Broan-NuTone LLC Hartford, Wisconsin www.broan.com 800-558-1711

REFERENCE	QTY.	REMARKS	Project
			Location
			Architect
			Engineer
			Contractor
			Submitted by Date