

This Owner's Manual is provided and hosted by [Appliance Factory Parts](#).



BROAN 194 Owner's Manual

[Shop genuine replacement parts for BROAN 194](#)



[Find Your BROAN HVAC Parts - Select From 1309 Models](#)

----- Manual continues below -----

Wall Heater

MODELS: 192, 194, 198

IMPORTANT SAFETY INSTRUCTIONS

WARNING – TO REDUCE THE RISK OF FIRE, ELECTRIC SHOCK, OR INJURY TO PERSONS, OBSERVE THE FOLLOWING:

- All electrical work must be done in accordance with local or national electrical code as applicable. **For safety, this product must be grounded.** If you are unfamiliar with methods of installing electrical wiring, secure the services of a qualified electrician.
- When wiring, servicing or cleaning this unit, turn off power and lock out service panel. Failure to do so could allow others or thermostat to turn on power unexpectedly which may cause fatal electrical shock.
- To avoid electrical shock:
 - Do not** install unit in a tub or shower enclosure or any location where it may come in contact with water.
 - Never** place a switch where it can be reached from a tub or shower.
- Do not** install this unit in an area where chemicals and other flammables are stored or used. Explosion and fire may result.

CAUTION

- This product may **ONLY** be installed in a wall. **Do not** mount in any other position.
- Install heater at least 12" from floor or any adjacent vertical surface.
- Do not** locate heater behind a door, furniture, drapes, etc., where the air flow to the unit would be restricted.
- Provide heater with an appropriately-rated electrical circuit to prevent tripped breakers or blown fuses.
- Do not** connect heater to dimmer switch or speed control.
- To avoid motor bearing damage and noisy and/or unbalanced impellers, keep drywall spray, construction dust, etc., off power unit.
- Please read specification label on product for further information and requirement.

PLAN THE INSTALLATION

This heater is intended to be used to supply supplemental heat from a wall location in new or existing construction.

Choose a location where edge of heater will be at least 12" from the floor or any adjacent vertical surface.

The heater can be operated using its built-in thermostat or a remote thermostat (Choose either the Model 86W Line-Voltage thermostat or use the Model 82 Transformer/Relay with an appropriate low-voltage thermostat.). The Model 85 Kit is available for surface-mount applications. Purchase these accessories separately.

Plan to supply the heater with proper line voltage and appropriate power cable.

NOTE: Power can be tapped from a nearby circuit depending on the heater wattage required and the amperage rating of the circuit.

Heater can be converted to half-wattage to avoid overloading such circuits.

MODEL	VOLTS	AMPS	WATTS	BTU/HR
192	240	8.33/4.17	2000/1000	6827/3413
194	240	12.50/6.25	3000/1500	10240/5120
198	240	16.67/8.33	4000/2000	13653/6827

Bold ratings are factory wired.

See "OPTIONAL WIRING CONVERSIONS" section for wattage conversion instructions.

Refer to FIGURE 1

Follow these basic steps when installing this heater:

- Nail housing to studs.
- Connect power cable.
- Fasten heater assembly and grille to housing.

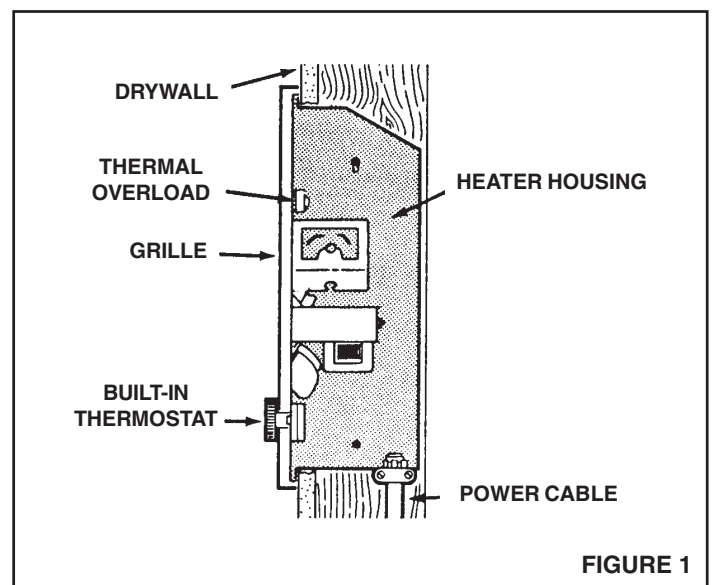


FIGURE 1

INSTALL THE HEATER

Refer to FIGURE 2

1. Remove heater assembly from housing. Take out the four (4) screws shown and set heater assembly aside.

Refer to FIGURE 3

2. Attach housing to wall studs.

NOTE: Locate housing at least 12" from floor on any adjacent walls. Use the measuring guides on the sides of housing to position housing so that it will be flush with finished wall. Nail the housing to studs through the hole and slot on both sides of housing.

NOTE: In 24"-on-center stud construction, framing in between studs is necessary.

WIRE THE HEATER

Refer to FIGURE 4

1. Connect power cable to housing. Attach electrical power cable to housing using appropriate connector. Allow 6" of wire inside housing. Secure ground wire to housing with grounding clip, as shown.

Refer to FIGURE 5 and FIGURE 6

2. Wire the heater assembly. Connect wires from heater assembly to power cable wires. Follow wiring diagram.

If heater is wired direct, use the built-in thermostat for temperature control.

OPTIONAL WIRING CONVERSIONS

When using a separate wall control, simply turn the heater's built-in thermostat to its highest setting. There is no need to disconnect the built-in thermostat:

- a) Turn built-in thermostat to highest setting.
- b) Remove knob.
- c) Fasten security cover to grille.

LINE-VOLTAGE THERMOSTAT

Refer to FIGURE 7

If wall-mounted control is desired, use the Model 86W Line-Voltage Thermostat. Purchase thermostat separately.

Cut blue wire. Strip $\frac{1}{2}$ " of insulation from each end. Connect wires from wall control to each stripped wire.

LOW-VOLTAGE THERMOSTAT

If wall-mounted control is desired, use a Model 82 Transformer/Relay with an appropriate low-voltage thermostat (purchase separately). Follow the mounting and wiring instructions packed with the controls.

HALF-WATTAGE CONVERSION

Refer to FIGURE 8

The heater will produce less heat and use less electricity if converted to half-wattage. Remove the black jumper wire from the heating element and discard wire.

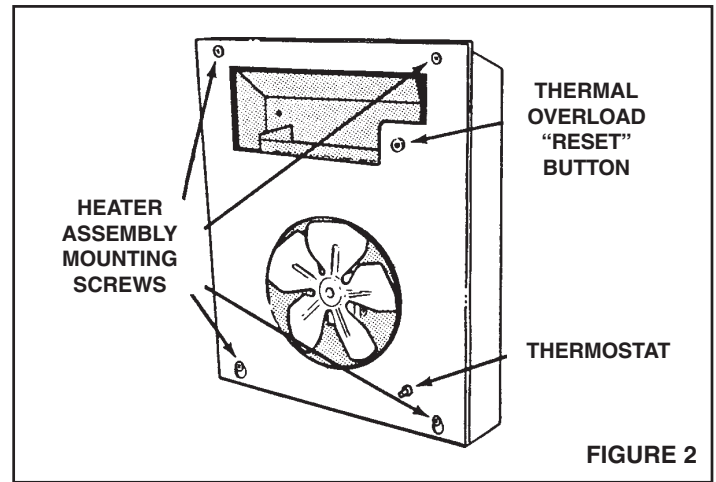


FIGURE 2

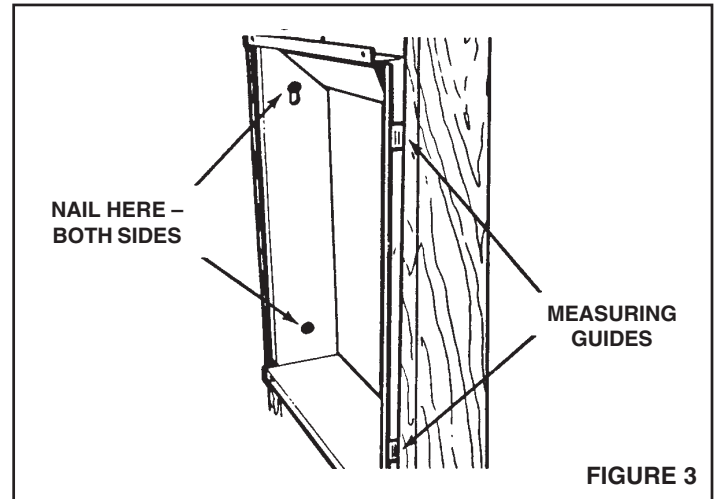


FIGURE 3

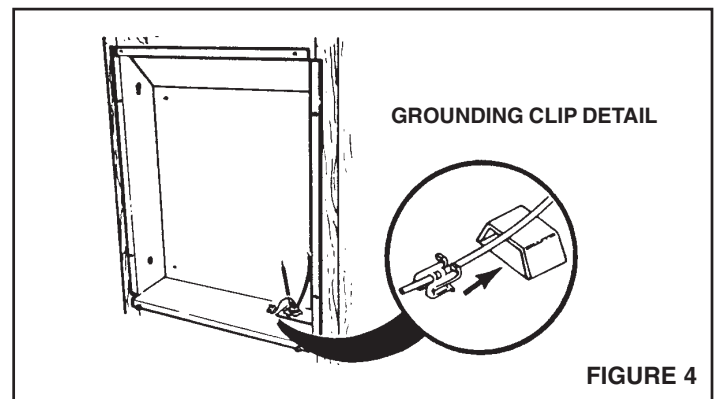


FIGURE 4

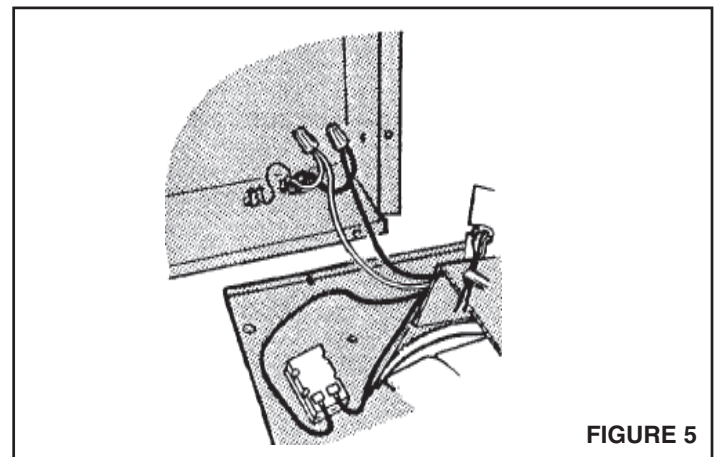


FIGURE 5

COMPLETE THE INSTALLATION

1. Install housing mask. A housing mask has been provided to keep construction dust, drywall spray, paint, etc., from damaging the heater. Bend the flap on the mask and push it into the heater housing.

NOTE: Mask can be put into place before or after heater assembly is reinstalled. Remove mask before operation.

2. Reinstall heater assembly. Secure heater assembly to housing with four (4) screws. Check thermal overload button marked "RESET". Heater will not operate unless this button is depressed.

Refer to FIGURE 9

3. Install grille. Place grille over heater and attach with four (4) screws. Push knob onto thermostat stem.

4. Attach security cover to grille (optional). When heater is installed in a public area without a separate wall control, it is recommended that:

- a) Built-in thermostat be set to desired temperature level.
- b) Thermostat knob be removed.
- c) Security cover be attached to grille with two (2) screws, provided.

5. Check operation. Turn on power at service entrance. Turn thermostat to its highest setting and make sure heating element and blower come on. Then turn it to its lowest setting and make sure element and blower shut off.

NOTE: The fan delay prevents the fan from coming on until the element is hot. Likewise, it keeps the fan running until the element cools down.

USE AND CARE

CAUTION – DISCONNECT POWER AT SERVICE ENTRANCE AND LOCK OUT PANEL BEFORE CLEANING OR SERVICING UNIT.

Thermal Overload Protector

Your heater is equipped with a manual-reset thermal overload protector. If heater fails to operate when thermostat is turned to its highest setting:

- 1) Turn off power at service entrance.
- 2) Remove knob and grille.
- 3) Press button marked "RESET".

This type of device is particularly useful (compared to automatic reset devices) because it encourages the user to find and correct the cause of overheating unit when resetting the protector.

To avoid property damage when using this heater to prevent freeze-ups:

Make sure heater functions properly **before** leaving unattended. A tripped protector will prevent the heater from operating.

Cleaning

Clean the heater using the round brush tool on your vacuum cleaner. Remove large accumulations of dust, lint, etc., that might impede the flow of air through the heater. Such blockage will lower its efficiency and create a possible overheating condition.

To clean grille, use a soft cloth which has been moistened with household window cleaner.

CAUTION – METAL AND ELECTRICAL PARTS SHOULD NEVER BE IMMERSSED IN WATER.

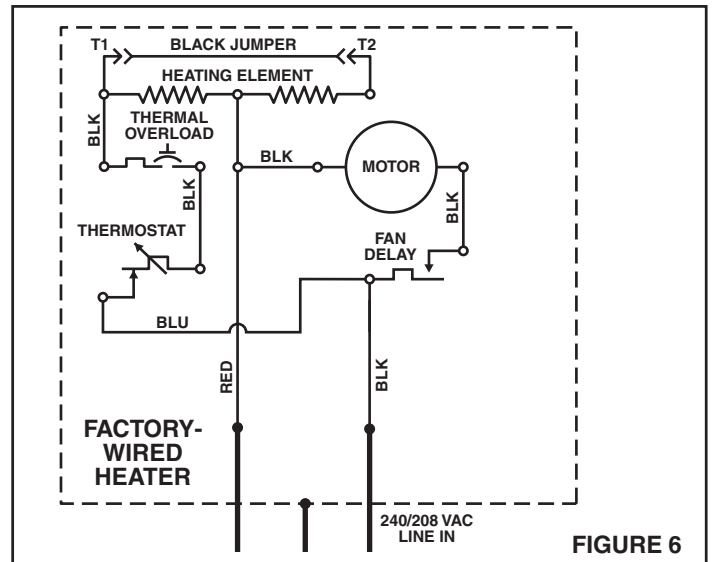


FIGURE 6

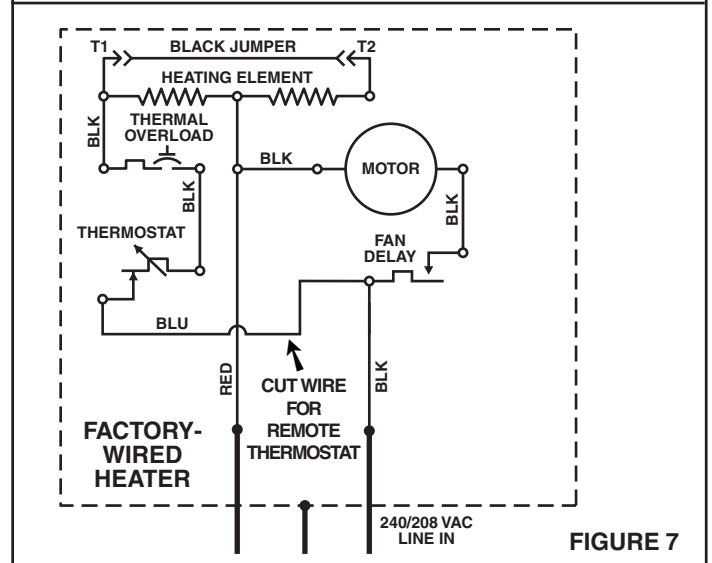


FIGURE 7

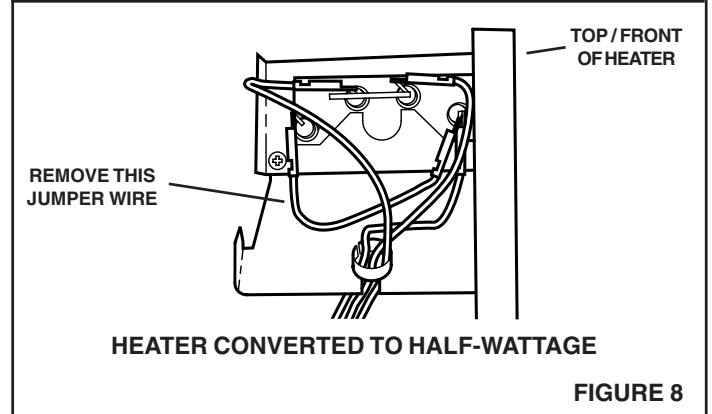


FIGURE 8

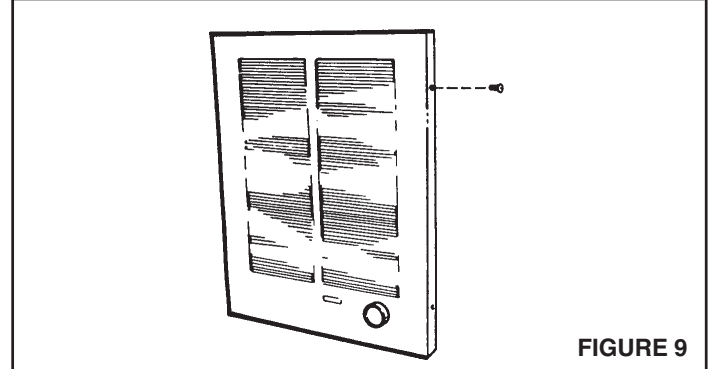


FIGURE 9

PARTS LIST

REF.	PART NUMBER	PART DESCRIPTION
1	97009334	Housing
2	99390015	Grounding Clip
3	99030190	Fan Delay
4	98006989	Element Bracket (2 Required)
5	99271155	Heating Element (Model 192)
	99270723	Heating Element (Model 194)
	99270724	Heating Element (Model 198)
6	99400061	Bushing
7	97008688	Black Wire Assembly (29-1/2")
8	97008690	Black Jumper Wire
9	*	Thermal Overload Bracket
10	*	Thermal Overload
11	97008692	Red Power Wire
12	99150491	Screw, 8-18 x 3/8 Ph. Pan Head (14 Required)
13	97008683	Partition Plate Assembly
14	93270619	Wire Clamp (3 Required)
15	99260425	Nut, 8-32 Hex Keps (2 Required)
20	99160350	Screw, 6-32 x 1/4 Ph. Pan Head (2 Required)
21	99030324	Thermostat
22	99080251	Motor (Model 198)
23	99080249	Motor (Models 192 & 194)
24	99020255	Fan Blade
25	97013822	Grille
26	99150478	Screw, 8-18 x 3/8 PH Truss Hd. (4 Required)
27	99090683	Grille Logo
29	99360136	Knob
30	99110687	Security Cover
31	93150462	Screw, 8-18 x 5/8 Oval Head (2 Required)
*	97013945	Assembly, Thermal Overload (Includes Key Nos. 9, 10, & 12 (2))

WARRANTY

BROAN-NUTONE ONE YEAR LIMITED WARRANTY

Broan-NuTone warrants to the original consumer purchaser of our products that such products will be free from defects in materials or workmanship for a period of one year from date of original purchase. THERE ARE NO OTHER WARRANTIES, EXPRESSED OR IMPLIED, INCLUDING, BUT NOT LIMITED TO, IMPLIED WARRANTIES OR MERCHANTABILITY OR FITNESS FOR A PARTICULAR PURPOSE.

During this one-year period, Broan-NuTone will, at our option, repair or replace, without charge, any product or part which is found to be defective under normal use and service.

THIS WARRANTY DOES NOT EXTEND TO FLUORESCENT LAMP STARTERS AND TUBES. This warranty does not cover (a) normal maintenance and service or (b) any products or parts which have been subject to misuse, negligence, accident, improper maintenance or repair (other than by us), faulty installation or installation contrary to recommended installation instructions.

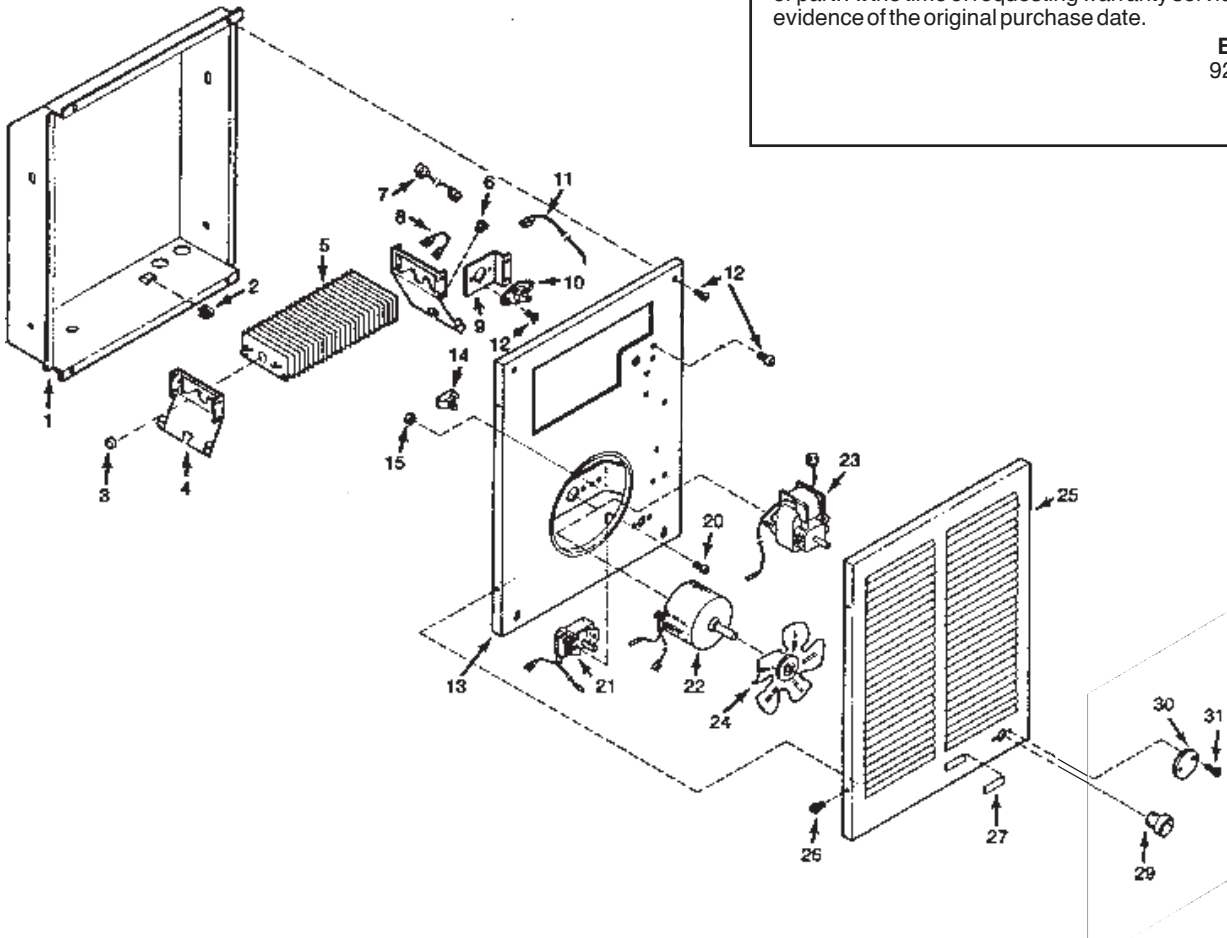
The duration of any implied warranty is limited to the one-year period as specified for the express warranty. Some states do not allow limitation on how long an implied warranty lasts, so the above limitation may not apply to you.

BROAN-NUTONE'S OBLIGATION TO REPAIR OR REPLACE, AT OUR OPTION, SHALL BE THE PURCHASER'S SOLE AND EXCLUSIVE REMEDY UNDER THIS WARRANTY. Broan-NuTone SHALL NOT BE LIABLE FOR INCIDENTAL, CONSEQUENTIAL OR SPECIAL DAMAGES ARISING OUT OF OR IN CONNECTION WITH PRODUCT USE OR PERFORMANCE. Some states do not allow the exclusion or limitation of incidental or consequential damages, so the above limitations or exclusion may not apply to you.

This warranty gives you specific legal rights, and you may also have other rights, which vary from state to state. This warranty supersedes all prior warranties.

To qualify for warranty service, you must (a) notify us at an address or telephone number below, (b) give the model number and part identification and (c) describe the nature of any defect in the product or part. At the time of requesting warranty service, you must present evidence of the original purchase date.

Broan-NuTone LLC
926 West State Street
Hartford, WI 53027
(1-800-637-1453)



Product specifications
subject to change
without notice.