

CA_
SERIES

OWNER'S GUIDE

For future reference, fill in the information below and keep this guide in a safe place. Please keep a copy of your receipt for warranty purposes.

This book is for CA0516K mechanical control air conditioners and CA0616KR and CA0816KR electronic control room air conditioners.

DEALER NAME _____

ADDRESS _____

TELEPHONE _____

MODEL/CATALOG NUMBER _____

SERVICE DISCRETE NUMBER _____

SERIAL NUMBER _____

PLEASE KEEP A COPY OF YOUR RECEIPT FOR WARRANTY PURPOSES.

CONTENTS

	Page		Page
A FEW WORDS ABOUT YOUR NEW AIR CONDITIONING UNIT	2	MAINTENANCE	9
REQUIRED TOOLS	2	CLEAN FILTER	9
INSTALLATION	3-7	CLEAN FRONT PANEL	9
POWER CORD	3	CLEAN BASEPAN	9
WIRING & LOCATION	4	CARE OF THE REMOTE CONTROL	9
WINDOW INSTALLATION	5	REMOTE CONTROL BATTERY REPLACEMENT	9
STORM WINDOW APPLICATIONS	7	TROUBLESHOOTING	10-12
OPERATION	7-9		
MECHANICAL CONTROLS	7		
ELECTRONIC CONTROLS	7		
ENERGY SAVING TIPS	9		



CA_ SERIES

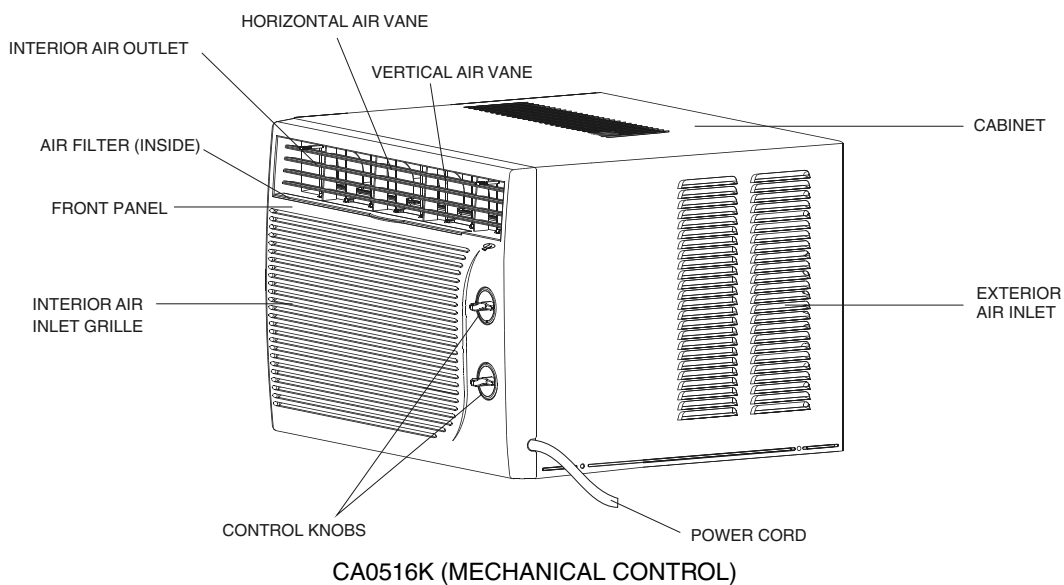
A FEW WORDS ABOUT YOUR NEW AIR CONDITIONING UNIT

Thank you for choosing a Climette room air conditioner to cool your home or office. In addition to providing economical cooling comfort, Climette room air conditioners filter and dehumidify the air in the room.

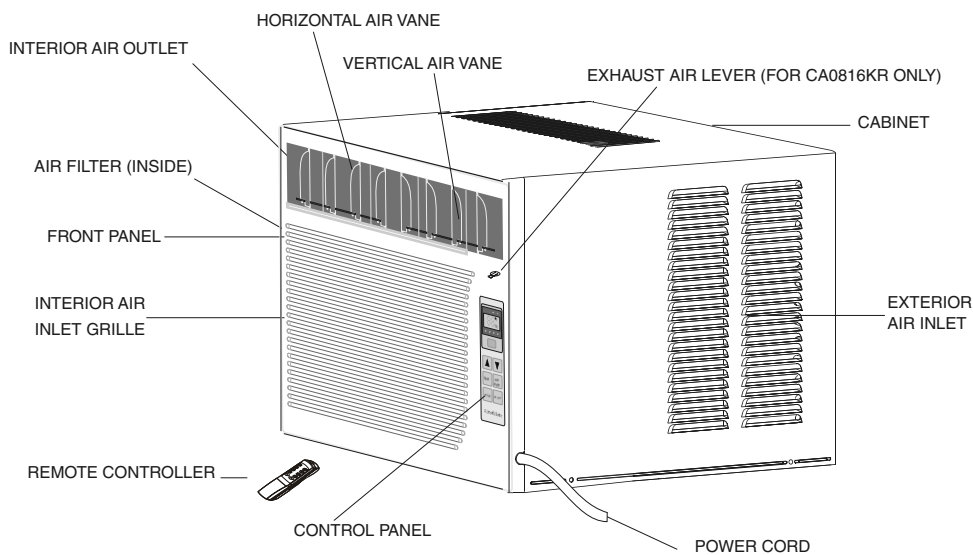
This owner's guide will supply all the information you need to install, operate, and maintain your new air conditioning unit. Please read the entire manual before installing the unit. See Fig. 1 for a part identification and description of the unit.

REQUIRED TOOLS

- Phillips and flathead screwdrivers
- pencil
- level
- measuring tape
- drill
- 1/8-in. drill bit
- scissors



CA0516K (MECHANICAL CONTROL)



CA0616KR AND CA0816KR (ELECTRONIC CONTROL)

FIGURE 1 — AIR CONDITIONER

INSTALLATION

- The portable air conditioner should be connected to a 115 V, 60 Hz, 15- or 20-amp fused 3-prong grounded outlet.
- The use of a time-delay fuse or time-delay circuit breaker is recommended.
- All wiring must comply with local and national electrical codes and be installed by a qualified electrician. If you have any questions, contact a qualified electrician.

Electrical Requirements

! WARNING

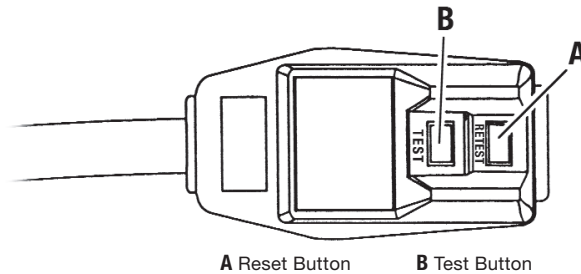


ELECTRIC SHOCK HAZARD

- Plug into a grounded 3-prong outlet.
- **Do not** remove ground prong.
- **Do not** use an adapter.
- **Do not** use an extension cord.
- **Failure to follow these instructions can result in death, fire, or electrical shock.**

Power Supply Cord

NOTE: Your unit's device may differ from the one shown.



This room air conditioner is equipped with a power supply cord required by UL. This power supply cord contains state-of-the-art electronics that sense leakage current. If the cord is crushed, the electronics detect leakage current and power will be disconnected in a fraction of a second.

Test your power supply cord:

1. Plug power supply cord into a grounded 3-prong outlet.
2. Press RESET.
3. Press TEST (listen for click; Reset button will trip and pop out).
4. Press and release RESET (listen for click; Reset button will latch and remain in). The power supply cord is ready for operation.

NOTES:

- The Reset button must be pushed in for proper operation.
- The power supply cord must be replaced if it fails to trip when the test button is pressed or fails to rest.
- Do not use the power supply cord as an off/on switch. The power supply cord is designed as a protective device.
- A damaged power supply cord must be replaced with a new power supply cord obtained from the product manufacturer and must not be repaired.
- The power supply cord contains no use serviceable parts. Opening the tamper-resistant case voids all warranty and performance claims.

INSTALLATION INSTRUCTIONS

Unpack the Air Conditioner

! WARNING

EXCESSIVE WEIGHT HAZARD

Use two or more people to move and install air conditioner.

Failure to do so can result in back or other injury.

Remove packaging materials

- Remove and properly dispose of packaging materials. Remove tape and glue residue from surfaces before turning on the air conditioner. Rub a small amount of liquid dish soap over the adhesive with your fingers. Wipe with warm water and dry.
- Do not use sharp instruments, rubbing alcohol, flammable fluids, or abrasive cleaners to remove tape or glue. These products can damage the surface of your air conditioner.
- Handle air conditioner with care.

Climette

CA_ SERIES

WIRING&LOCATION

Your Climette room air conditioner was designed to be installed in a single or double hung window. This air conditioner is not designed for use with vertical (slider type) windows.

⚠ WARNING

Electrical shock can cause injury or death. Do not install unit or remove front grille with the power cord plugged in. Be sure unit is unplugged before performing any installation or maintenance.


WIRING

The air conditioner is powered by plugging it into a compatible wall outlet. The electrical outlet **MUST** match the plug on the unit power cord. See Table 1 for receptacle types and fuses. The unit nameplate contains unit electrical data, unit ratings, and identification numbers. The unit nameplate is located on the right side of the unit. Do not use a plug adapter or an extension cord.

Check available power supply and resolve any wiring problems before installing and operating the air conditioner. If wiring is required, all wiring must comply with all local and national electrical codes. All wiring must be installed by a qualified electrician. If you have any questions regarding the unit electrical data or wiring, consult a qualified electrician before installation.

For your safety, this air conditioner is grounded through the power cord plug when plugged into a matching wall outlet. The power cord is 60-in. long.

TABLE 1 — RECEPTACLE TYPE AND FUSES

RECEPTACLE TYPE AND FUSES	
VOLTS INDICATED/Hz	125/60
AMPS	15
WALL OUTLET	
FUSE SIZE	15
TIME DELAY FUSE (Circuit Breaker)	Plug Type

LOCATION

The room air conditioner is designed to fit easily into a single or double hung window. However, since window designs vary, it may be necessary to make some modifications for safe and proper installation.

Make sure the window and frame are structurally sound and free from dry or rotted wood. Replace wood if necessary or relocate to different window.

For maximum efficiency, install the air conditioner on the side of the house or building that has more shade than sunlight.

Provide sufficient clearance for the air conditioner to allow proper air circulation through and around the unit. The rear of the unit must be outdoors (not in a garage or inside of the building). Provide 20-in. of clearance on each side of the unit. Provide 20-in. of clearance from the rear of the unit to any obstruction. Provide 12-in. of clearance from the top of the unit. See Fig. 2.

Unit should be at least 30-in. above the floor and outside ground.

Curtains and other objects should be moved if they block indoor airflow.

Unit must be within reach of a proper electrical wall outlet. Do not use an extension cord.

The unit was designed to evaporate condensation under normal conditions. Under extreme humidity conditions, excess condensation may cause the basepan to overflow to the outside of the unit. The unit should be installed where condensation drip cannot cause damage.

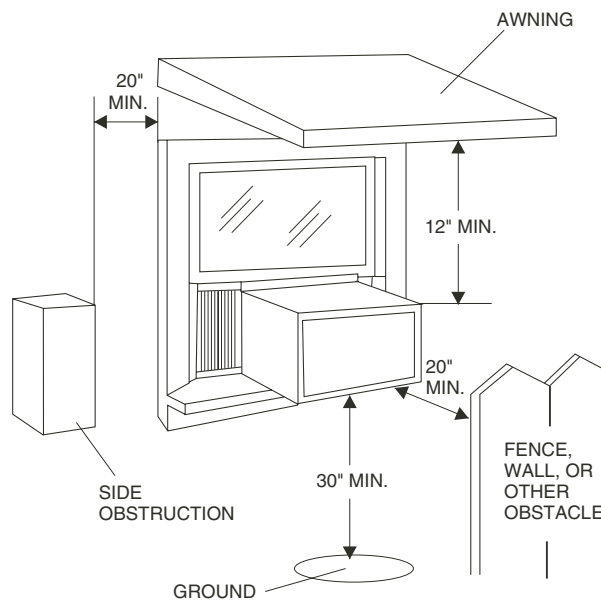


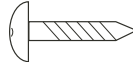
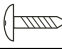
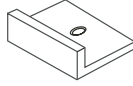
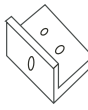
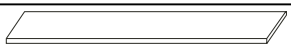

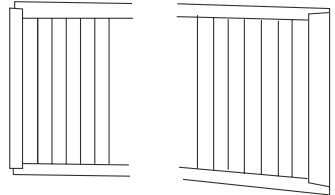
FIGURE 2 — AIR CONDITIONER CLEARANCES

WINDOW INSTALLATION

To install the room air conditioner in a window, perform the following procedure.

1. Check contents of installation hardware package provided with air conditioner. See Table 2. Make sure all the items are provided.

TABLE 2 —INSTALLATION HARDWARE PACKAGE

ITEM		QTY
	3/4-in. Screws	12
	3/8-in. Screws	8
	L-Bracket	2
	Side Bracket	2
	Seal	1
	Foam	1
	Right and Left Side Shutters	1

2. Determine which window will be used for installation. See Location section on this page.
3. Check that the window opening dimensions are suitable for installation. For CA0516K and CA0616KR units, the window must be from 21 to 35-in. wide and the window must open at least 13-in. high. For CA0816KR units, the window must be from 22 to 36-in. wide and the window must open at least 14-in. high. It is recommended that the window sill be at least 5/8-in. thick to support the weight of the air conditioner. See Table 3 for unit dimensions.

TABLE 3 —AIR CONDITIONER CABINET DIMENSIONS

UNIT	WIDTH (in.)	LENGTH (in.)	HEIGHT (in.)
CA0516K, CA0616KR	17.7	15.7	12.4
CA0816KR	18.5	17.7	13.7

4. For storm windows, open or remove the outer storm window before installing the air conditioner. Remove any screens that are in the window.
5. Install the side shutters (provided). The side shutters are identified as right and left on each frame. Slide the top and bottom shutter frames into the

top and bottom channels on the cabinet. Attach the shutters to the cabinet using four 3/8-in. screws (provided). See Fig. 3.

6. A piece of thin foam sealing is provided. Cut piece to fit across the bottom of the window sash. See Fig. 4. After the foam seal has been cut, remove the peel-off backing and stick to bottom of window.
7. Measure the width of the inside sill of the window and mark the center of the sill. See Fig. 5. Measure 7 1/2-in. from the center on both sides and mark on window sill. Mount the two L-brackets on the window sill with a 3/4-in. screw (provided). See Fig. 6. The L-brackets will hold the bottom channel of the air conditioner cabinet in the correct position when installed. Check that brackets are in the correct position before installing.
8. Place air conditioner in the window. The bottom channel of the air conditioner should be between the window sill and the L-brackets. Lower the window sash until it rests firmly behind the upper channel. Make sure the top and bottom of the cabinet fits snugly to the window opening. See Fig. 7.
9. Secure the air conditioner to the window sill. See Fig. 8. Remove the 3/8-in. screw from the bottom of each side of the air conditioner. Install side brackets (provided) on each side of the air conditioner using the screws that were just removed. Leave screws loose. Mount side brackets onto the window sill next to the air conditioner using two 3/4-in. screws (provided) for each bracket. Tighten 3/8-in. screws to secure brackets to air conditioner.

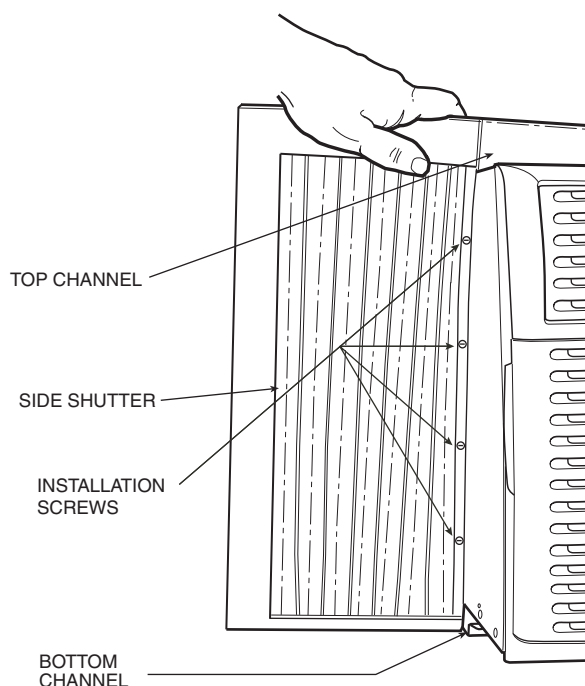


FIGURE 3 — SIDE SHUTTER INSTALLATION

CA SERIES

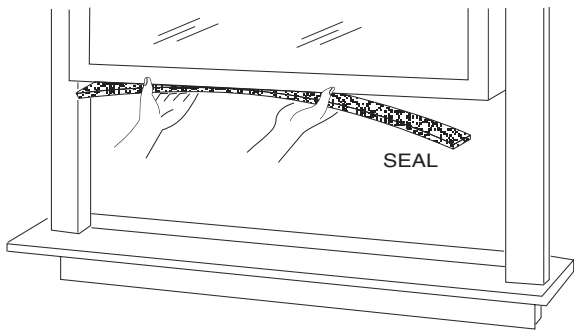


FIGURE 4 — FOAM SEAL INSTALLATION

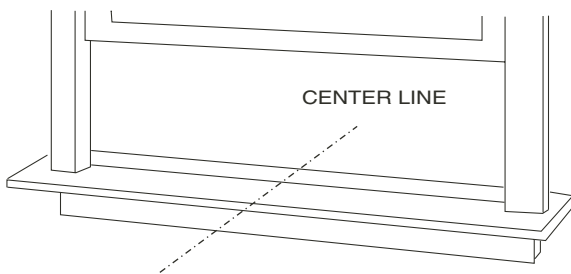


FIGURE 5 — DETERMINE CENTER OF SILL

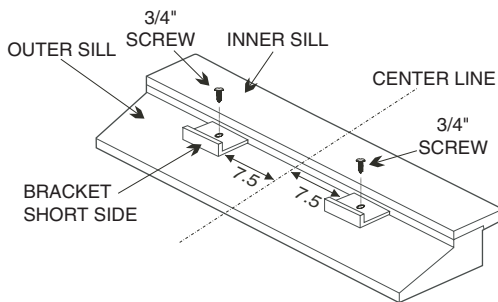


FIGURE 6 — L-BRACKET INSTALLATION

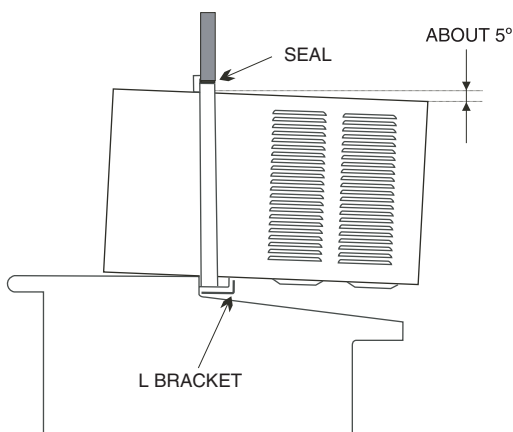


FIGURE 7 — AIR CONDITIONER INSTALLATION LOCATION

10. Secure the air conditioner to the bottom of the window sash with one $\frac{3}{4}$ -in. screw provided. Screw is installed through the hole in the center of the top channel of the air conditioner. See Fig. 8.
11. Pull out the expanding side shutters from the sides of the air conditioner. The panels should expand to cover the entire width of the window. There is a hole provided in the top end of each side shutter which is used to secure the panels to the window. There is a tab on the bottom of the side shutter provided to secure the side shutter to the window sill. With the wing panels expanded, mark the drilling locations on the sides of the window frame and sill (through the holes in the panels). See Fig. 8.
12. Drill the holes marked in Step 11 with $\frac{1}{8}$ -in. drill bit. With the wing panels expanded, secure the wing panels with two $\frac{3}{4}$ -in. screws provided (each side). See Fig. 8.
13. Cut thick foam seal (provided) to fit the length of the window. Insert the foam seal between the top of the lower window sash and the window panes of the upper window. See Fig. 8. Make sure there is a firm fit to prevent air leakage between the windows. This also prevents insects from entering through the window.
14. Plug in the unit.

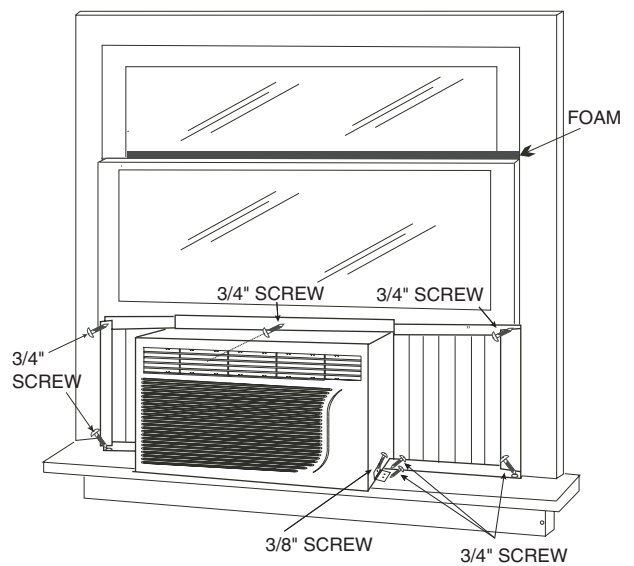


FIGURE 8 — SECURE AIR CONDITIONER TO WINDOW

STORM WINDOW APPLICATIONS

If the window is blocked by a storm window frame and the storm window frame cannot be removed, a mounting board (field provided) will need to be added to the window sill. The air conditioner needs to be pitched downward to the back in order for condensate to drain properly. The frame of the storm window (or any other obstruction) must be at least $\frac{3}{4}$ -in. lower than the window sill. If the storm window frame is not at least $\frac{3}{4}$ -in. below the window sill, then a mounting board will need to be added to raise the height of the window sill. See Fig. 9. The board will need to be provided and cut by the installer.

1. The wood mounting board should be a minimum of 1 1/2-in. wide and should run the length of the window. The thickness of the mounting board is dependent on the height of the storm window frame. The mounting board should raise the front of the air conditioner high enough so that the unit will be pitched downward at least $\frac{5}{8}$ -in. when the back of the unit is resting on the storm window frame. See Fig. 9.
2. Cut the wood mounting board to fit the window.
3. Install the wood mounting board on the window using 2 field-provided nails or screws.
4. Drain holes or slots in storm window frame must not be caulked or painted shut. Holes are needed to drain rain water and condensate. Ensure that trapped water can drain out.

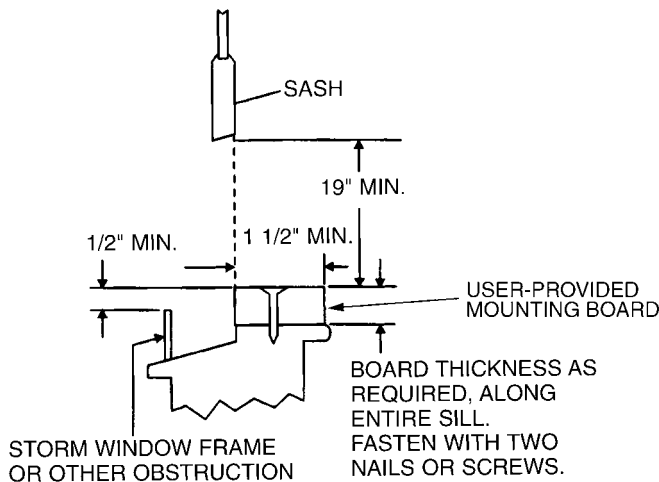


FIGURE 9 — STORM WINDOW APPLICATIONS

OPERATION

The mechanical-type controls are used on your CA0516K Climette air conditioner. The electronic-type control is used on your CA0616KR and CA0816KR Climette air conditioner. Refer to the correct section for your air conditioner.

The mechanical controls consist of a dial which can be set to different modes of cooling and fan operation and

a thermostat dial to set desired room temperature. See Fig. 10.

The electronic control consists of a control panel and a remote control. Both the control panel or the remote control can be used to set cooling and fan modes and adjust the desired temperature. See Fig. 11. Other additional features are provided.

MECHANICAL CONTROLS

■ **TURN UNIT OFF** — To turn the unit OFF, set the dial to the OFF position. The air conditioner will not operate when the dial is set to OFF.

■ **COOLING MODES** — The air conditioner can be set to two different cooling modes — LOW COOL or HIGH COOL. HIGH COOL mode is recommended for very warm days or when a fast initial cooling of the room is desired. LOW COOL mode is recommended on slightly warm days or after the room temperature has reached its desired setting.

NOTE: After setting a mode, allow 3 minutes to pass before changing modes.

■ **FAN MODE** — The air conditioner can be set to LOW FAN or HIGH FAN mode. In FAN mode, the fan operates to circulate the air in the room, but there is no cooling operation. This mode is used to keep the room air circulating when cooling is not needed. The fan can be set to HIGH FAN for maximum air circulation without cooling or LOW FAN for moderate air circulation without cooling.

■ **THERMOSTAT** — The thermostat dial is numbered from 1 to 9. The lowest (least cooling) setting is 1. The highest (most cooling) setting is 9. Turn the thermostat dial clockwise to lower the room temperature. Turn the dial counterclockwise to raise the room temperature.

ELECTRONIC CONTROLS

Either the remote control or the control panel on the air conditioner can be used. The battery of the remote control will need to be installed before it can be used.

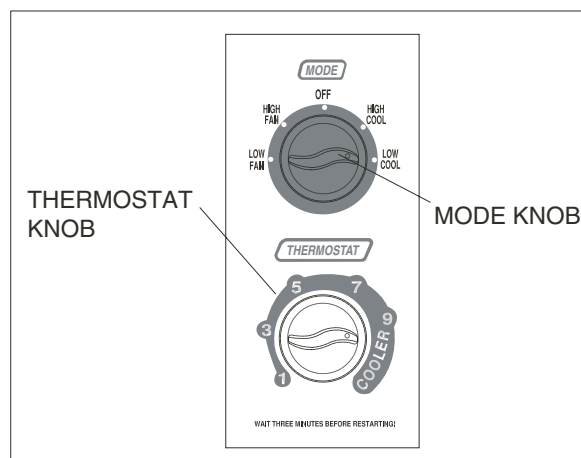


FIGURE 10 — MECHANICAL CONTROLS

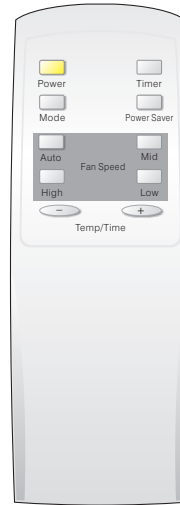
Climette®

CA_SERIE

CONTROL PANEL



REMOTE CONTROLLER



Indication symbols of LED on control panel:

- AUTO FAN SPEED
- COOLING
- LOW FAN SPEED
- FAN ONLY
- MEDIUM FAN SPEED
- ENERGY-SAVING
- HIGH FAN SPEED
- TIMER

88 °F
DISPLAY SET TEMP
 HR
DISPLAY SET TIMER

ABOVE LED LIGHTS ON WHEN THE RELEVANT MODE IS IN USED.

FIGURE 11 — ELECTRONIC CONTROLS

■ **TURN UNIT OFF/ON** — Press the ON/OFF button on the remote control or control panel.

NOTE: To switch from Celsius to Fahrenheit, press the UP ARROW and DOWN ARROW buttons on the control panel (not the remote control) at the same time.

■ **COOLING MODES** — The air conditioner can be set to three different cooling modes — Cooling, Fan Only, or Energy Saving. Press the MODE button to change the mode.

In Cooling mode, the air conditioner will run and provide cooling. The amount of cooling can be adjusted with the FAN SPEED button. If the fan speed is set to Auto mode, the fan speed adjusts automatically from low to high based on the setting of the thermostat and the actual room temperature.

In Fan Only mode, the fan operates to circulate the air in the room, but there is no cooling operation. This mode is used to circulate the air in the room when cooling is not required. The amount of circulation can be adjusted with the FAN SPEED button. Auto. cannot be selected in Fan Only mode.

In Energy Saving mode, the air conditioner will automatically switch from Cooling to Fan Only mode when cooling is not required. Fan speed can be selected in Energy Saving mode. When the room temperature is 2 degrees higher than the thermostat setting, the air

conditioner will run in Cooling mode. When the room temperature is lower than 66 F, the unit will turn off (no cooling or fan). At all other times, cooling will be off and the fan will run on Low speed.

■ **FAN SPEED** — The air conditioner Fan mode can be set to High, Medium, Low, or Auto. Press the FAN SPEED button to change fan speed.

High fan mode is recommended for very warm days or when a fast initial cooling of the room is desired. Medium fan mode is recommended on moderately warm days or when the unit has been operating for some time and the temperature is about to reach its desired setting. Low fan mode is recommended on slightly warm days or after the room temperature has reached its desired setting. Auto mode adjusts the fan speed automatically from low to high based on the setting of the thermostat and the actual room temperature. Auto mode can only be used in Cooling mode.

■ **THERMOSTAT** — The temperature setting on the thermostat can be adjusted from a range of 66 to 88 F (19 to 31 C). The air conditioner will start and stop cooling operation in order to maintain the temperature setting of the thermostat.

Press the Down Arrow button to lower the temperature setting. Press the Up Arrow button to raise the temperature setting.

■ **TIMER MODE** — Your Climette Air Conditioner unit can be programmed so that the unit will shut off after a certain number of hours (if operating) or turn on after a certain number of hours (if off).

Press the Timer button to start the Timer mode. The number of hours will start at 0. The range is 0 to 24 hours.

If the unit is operating, the number of hours until the unit will turn off will be displayed. If the unit is off, the number of hours until the unit will turn on will be displayed. Use the UP and DOWN ARROW buttons to change the number of hours.

Press the Timer button again to cancel Timer mode.

■ **EXHAUST AIR LEVER** — The CA0816KR units are equipped with an exhaust air lever. When the lever is pushed in, the air conditioner will circulate room air only. When the lever is pulled out, the air conditioner will exhaust some room air to the outside.

ENERGY SAVING TIPS

Your Climette air conditioner is designed to operate efficiently and save on energy costs. Follow these recommendations for even greater energy savings.

- Select the warmest thermostat setting that will suit your comfort needs and leave the thermostat at that setting.
- Keep the air filter clean (clean approximately every 30 days).
- Use drapes, curtains, or shades to keep direct sunlight from heating the room.
- Do not obstruct the front panel air intake. Do not obstruct the top air discharge. Allow air to circulate freely around the air conditioner.
- Start your air conditioner before outdoor temperature, cooking heat, or groups of people make the room hot and uncomfortable. This avoids an initial period of discomfort while the air conditioner is cooling the room.
- When outdoor temperature is cool enough, use the Fan Only setting. This circulates indoor air, provides comfort, and utilizes less electricity than when operating in cooling modes.

MAINTENANCE

When servicing the air conditioner, make sure the mode is set to OFF and the unit is unplugged from the electrical outlet.

CLEAN FILTER

Normally, the air filter should be cleaned every 30 days. The filter is highly efficient in removing

airborne particles. More frequent cleaning may be required in areas with low outdoor and indoor air quality.

To remove the filter, grasp the filter handle tabs on the top center of the front inlet grille and slide the filter out to the top. The filter may be vacuumed or washed by hand in warm water. Use of a mild detergent is recommended. Dry the filter thoroughly after washing. Replace the air filter by sliding it back into the filter slot. Do not operate the unit without the filter.

CLEAN FRONT PANEL

The front panel may be cleaned after it is removed from the air conditioner. Wash the grille by hand with warm water and a mild soap. Be sure to thoroughly dry the grille before reinstalling. Never pour water directly on the unit. Do not use gasoline, thinner, or other chemicals to clean unit.

CLEAN BASEPAN

The basepan may need to be cleaned if there is a build-up of mold, mildew or algae that could cause unpleasant odors. When outdoor humidity is high, condensate may not fully evaporate from basepan during normal operation. To clean the basepan, run the air conditioner in Fan Only mode for 4 to 6 hours to remove condensate. Remove the front panel. Use bleach or other cleaner to remove mold, mildew, or algae from basepan. Replace front panel.

CARE OF THE REMOTE CONTROL

The remote control should last indefinitely with proper care. Do not expose the remote control to direct heat. Do not spill liquids or place heavy objects on the remote control. Make sure the signal from the remote control to the air conditioner is unobstructed.

Climette®

CA_ SERIES

TROUBLESHOOTING

PROBLEM	CAUSE	SOLUTION
UNIT DOES NOT START	Unit may have become unplugged.	Check that unit is securely plugged into the wall socket.
	Fuse may have blown.	Replace fuse. See Note.
	Circuit breaker may have tripped.	Reset circuit breaker. See Note.
	Unit mode may be set to OFF.	Check to make sure Cooling mode is selected.
UNIT NOT PROVIDING ENOUGH COOLING	Unit airflow is blocked.	Remove any curtains, blinds, or furniture that may be blocking indoor airflow. Check outdoor airflow and remove any blockage to outdoor airflow.
	Thermostat temperature setting is too high.	Reset thermostat to a lower (cooler) temperature.
	Unit air filter is dirty.	Remove and clean air filter.
	Room was excessively hot when cooling operation started.	Allow sufficient time for unit to cool room.
	Compressor Overload tripped.	Let fan run for approximately 10 minutes to reset compressor overload and restart compressor.
UNIT MAKING NOISES	Normal operation.	Low clicking, bubbling, or whooshing noises are normal during operation of the unit.
	Loose parts.	Tighten loose parts.
	Inadequate support.	Provide additional support to unit.
UNIT ODORS	Formation of mold, mildew, or algae on wet surfaces.	Run in Fan Only mode to remove condensate from unit. Clean base pan.
WATER DRIPPING OUTSIDE	Normal operation.	Condensation runoff during hot and humid weather is normal.
WATER DRIPPING INSIDE	Unit is not installed at proper angle.	Unit must be tilted slightly outside for proper runoff of condensation. Check that installation is correct and make necessary adjustments.
ICE OR FROST BUILD-UP ON COIL	Unit air filter is dirty.	Remove and clean air filter.
	Low outside temperature.	When outdoor air is approximately 65 F (18 C) or below, frost may form when unit is in Cooling mode. Switch unit to Fan Only mode until ice or frost melts.

NOTE: If circuit breaker is tripped repeatedly, or fuse is blown more than once, contact a qualified electrician. Wiring schematics are shown in Fig. 12 and 13.

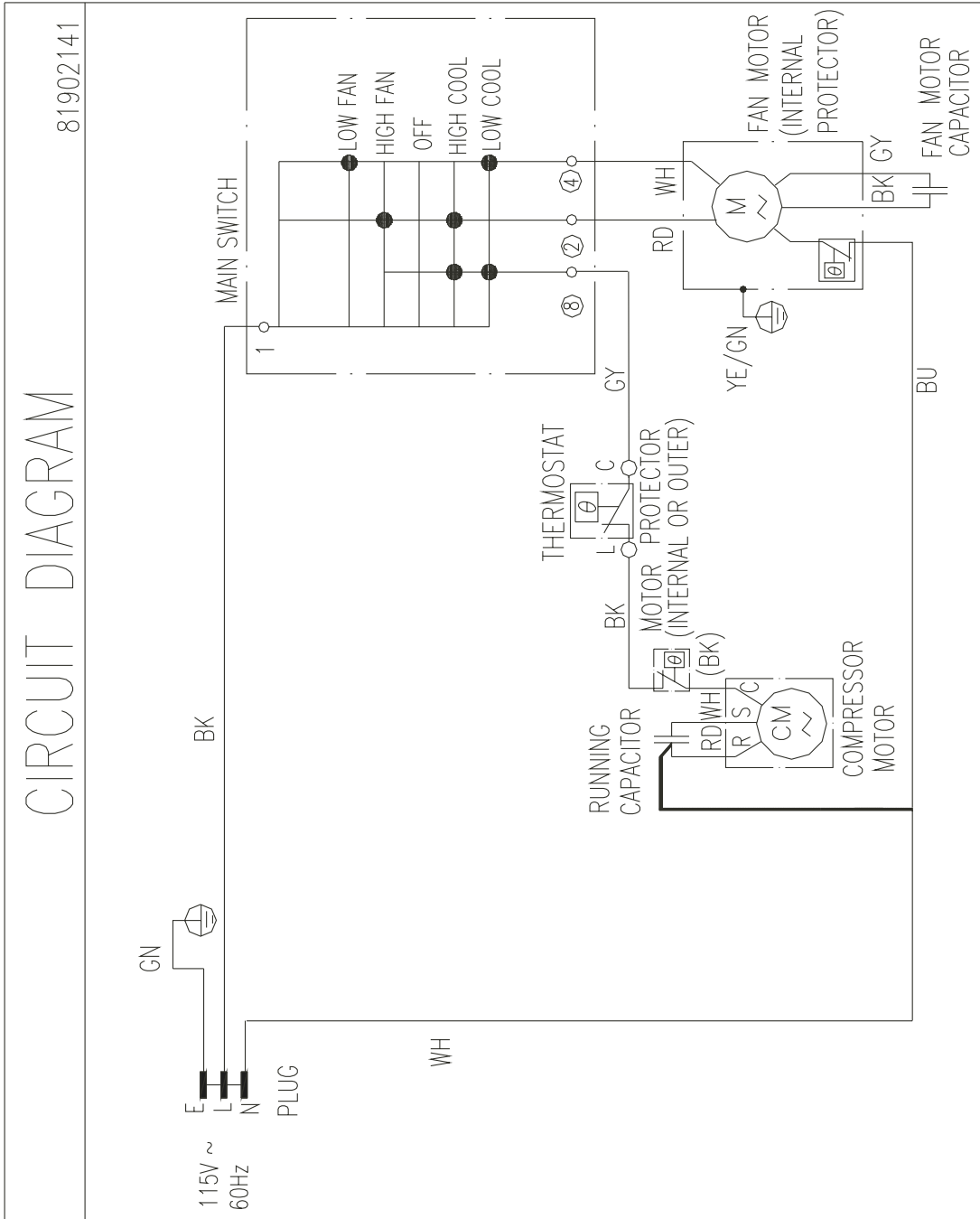
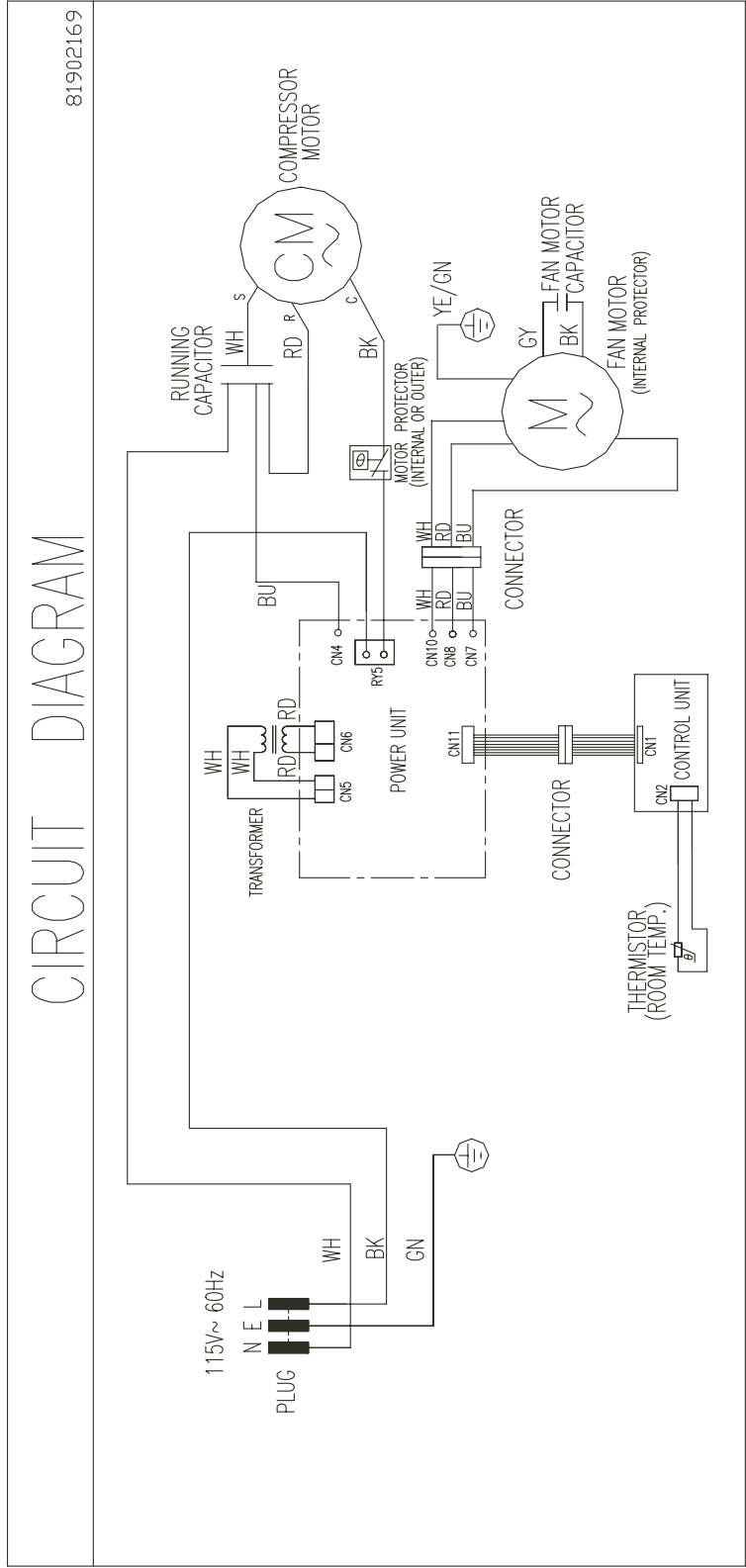


FIGURE 12 — SCHEMATIC DIAGRAM; MODEL CA0516K

CA_
SERIES



LEGEND
 — Connection
 — Relay

FIGURE 13 — SCHEMATIC DIAGRAM; MODELS CA0616KR AND CA0816KR

International Comfort Products, LLC Room Air Conditioner Limited Warranty

Subject to the conditions and exclusions listed below International Comfort Products LLC (hereinafter referred to as "ICP") warrants this product against failures due to defects in materials and workmanship.

TWO YEAR WARRANTY - ICP warrants to the initial purchaser of this product against failures due to defects in materials or workmanship under normal use and maintenance for a period of two years from the date of original purchase. ICP, through its authorized independent servicing dealers or distributors, will either repair or replace a defective product (as decided solely by ICP) free of charge to the user. ICP may replace any defective part with either a new or remanufactured part, at ICP's sole option.

THIS LIMITED WARRANTY DOES NOT INCLUDE costs incurred for diagnosing, removing, installing, shipping or transporting the product or any parts. User is responsible for these costs

LIMITATION OF WARRANTIES — ALL IMPLIED WARRANTIES AND CONDITIONS (INCLUDING IMPLIED WARRANTIES AND CONDITIONS OF MERCHANTABILITY AND FITNESS FOR A PARTICULAR PURPOSE) ARE HEREBY LIMITED IN DURATION TO THE PERIOD FOR WHICH THE APPLICABLE PRODUCT COMPONENT IS EXPRESSLY WARRANTED HEREIN. Some states or provinces do not allow limitations on how long an implied warranty lasts, so the above limitation may not apply to you. THE EXPRESS WARRANTIES MADE IN THIS WARRANTY ARE EXCLUSIVE AND MAY NOT BE ALTERED, ENLARGED OR CHANGED BY ANY DISTRIBUTOR, DEALER, OR OTHER PERSON WHATSOEVER. ICP WILL NOT BE RESPONSIBLE FOR ANY SPECIAL, INCIDENTAL OR CONSEQUENTIAL PROPERTY OR COMMERCIAL DAMAGES OF ANY NATURE WHATSOEVER. Some states or provinces do not allow the exclusion of incidental or consequential damages, so the above limitation may not apply to you. All work provided for by this warranty shall be performed during normal working hours. All replacement parts, whether new or remanufactured, assume as their warranty period only the remaining time period for which the replaced component is expressly warranted herein.

ICP WILL NOT BE RESPONSIBLE FOR:

1. Damage or failure due to failure to perform normal maintenance outlined in the Owner's Guide.
2. Instruction on methods of control and use of air conditioning unit after initial installation.
3. Damage or repairs needed as a consequence of faulty installation or application. This is the responsibility of the installer.
4. Failure to start due to voltage conditions, blown fuses, open circuit breakers, or any other damages due to the inadequacy or interruption of electrical service.
5. Damage or repairs needed as a consequence of any misapplication, abuse, unauthorized alteration, improper servicing or operation.
6. Damage as a result of floods, winds, fires, lightning, accidents, corrosive environments, or other conditions beyond the control of ICP.
7. Any parts not supplied or designated by ICP.
8. ICP products installed outside the continental U.S.A., Alaska, Hawaii, and Canada.
9. Shipping damage or damage as a result of storing or transporting the unit.

This warranty gives you specific rights, and you may also have other rights which vary from state to state or province to province.

IF YOUR UNIT DOES NOT WORK, FOLLOW THESE STEPS IN ORDER:

1. Check the things you can do yourself. These include being sure the air conditioner is plugged in an appropriate receptacle, checking the fuse or circuit breaker and ensuring its replacement or resetting, if necessary, and rereading the instruction book to ensure all controls are set properly. By doing this you can save money. Many unnecessary calls result in the serviceman doing what the owner can do for himself.
2. **CONTACT YOUR DEALER.** You may find this name printed on the product, on your invoice, or in your Homeowner's Packet.
3. **CONTACT ICP IF A SATISFACTORY SOLUTION IS NOT REACHED IN STEP 2.**

International Comfort Products LLC, 650 Heil Quaker Blvd, P.O Box 128, Lewisburg Tennessee, USA, 37091
Telephone (931) 270-4110

FOR FUTURE REFERENCE, FILL IN DETAILS OF YOUR PURCHASE. KEEP YOUR SALES RECEIPT.

Model/Catalog No. _____ Installed By: _____
 Service/Discrete No. _____ Name of Owner _____
 Unit Serial No. _____ Address of Installation _____
 Date of Installation _____

