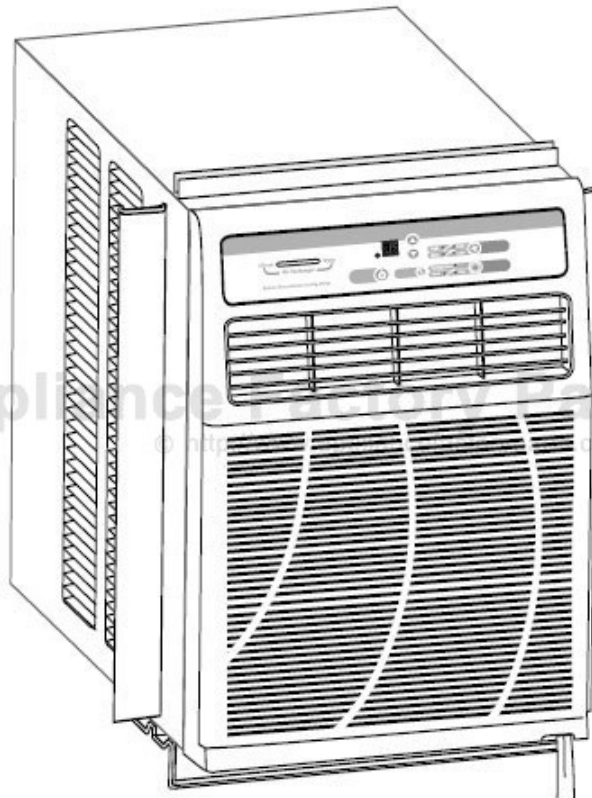


This Owner's Manual is provided and hosted by [Appliance Factory Parts](http://ApplianceFactoryParts.com).



CLIMETTE CA0816SFR Owner's Manual

[Shop genuine replacement parts for CLIMETTE
CA0816SFR](#)



[Find Your CLIMETTE Air Conditioner Parts - Select From 63 Models](#)

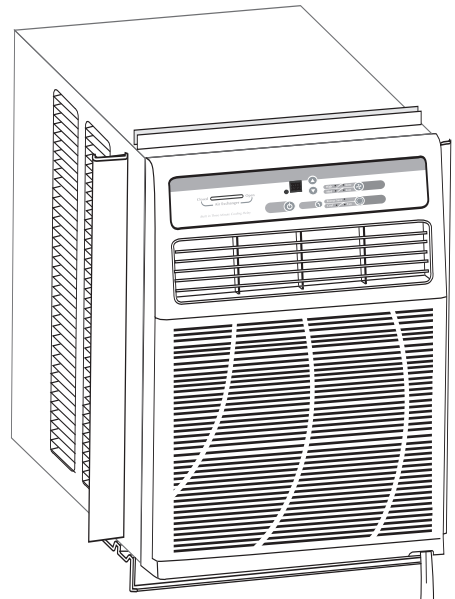
----- Manual continues below -----

Climette® Installation and Operating Instructions

Room Air Conditioners for Slider & Casement Windows

ENGLISH

Important Safety Instructions	2
Installation	
Window installation	4
Operation	
Cleaning the air filter	6
Electronic controls	7
Service/Troubleshooting	8
How to Obtain Warranty Service or Parts	9



Keep these instructions for future reference

For Future Reference

Write down the model and serial numbers
The model and serial numbers can be found on the side of the cabinet near the control panel. Use these numbers in any correspondence or service calls concerning your air conditioner.

<i>Model Number</i>

<i>Serial Number</i>


<i>Date of Purchase</i>

RECOGNIZE SAFETY SYMBOLS, WORDS AND LABELS

What You Need To Know About Safety Instructions

Warning and Important Safety Instructions appearing in this manual are not meant to cover all possible conditions and situations that may occur. Common sense, caution and care must be exercised when operating or cleaning tools and equipment.

Always contact your dealer, distributor, service agent or manufacturer about problems or conditions you do not understand.

 This is the safety alert symbol. It is used to alert you to potential personal injury hazards. Obey all safety messages that follow this symbol to avoid possible injury or death.

DANGER

DANGER indicates an imminently hazardous situation which, if not avoided, will result in death or serious injury.

WARNING

WARNING indicates a potentially hazardous situation which, if not avoided, could result in death or serious injury.

CAUTION

CAUTION indicates an potentially hazardous situation which, if not avoided, may result in minor or moderate injury.

CAUTION

CAUTION used without the safety alert symbol indicates a potentially hazardous situation which, if not avoided, may result in property damage.

DANGER

Do not store or use gasoline or other flammable vapors and liquids in the vicinity of this or any other appliance. The fumes can create a fire hazard or explosion.

DANGER

Important Grounding Requirements

- Air conditioner has a three-prong grounding plug on the power supply cord, which must be plugged into a properly grounded three-prong wall receptacle for your protection against possible shock hazard. For models up to and including 7.5 amperes, use a grounding type wall receptacle to match the cord plug.
- For models above 7.5 amperes use a single outlet grounding type wall receptacle to match the cord plug.

Do not operate this air conditioner without proper time delay circuit protection (circuit breaker or fuse). Refer to serial plate for proper power supply requirements.

Recommended Wire Sizes

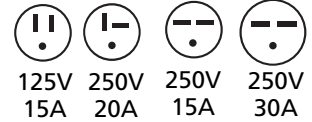
(As installed per building code) :

PROTECTOR SIZE WIRE GAUGE

15 AMP #14 MINIMUM

20 AMP #12 MINIMUM

30 AMP #10 MINIMUM



125V	250V	250V	250V
15A	20A	15A	30A

DANGER

Electrical Shock Hazard

- Plug unit only into a grounded electrical outlet.
- Do not use an extension cord or plug adapter with this unit. Do not alter cord or plug end. Do not remove warning label on cord.
- Do not operate unit with decorative front or filter removed.
- If the air conditioner has a serial plate rating of 115 volts and greater than 7.5 amps, it must have its own fuse or circuit breaker, and no other device or unit should be operated on that fuse or circuit breaker.
- If the air conditioner has a serial plate rating of 230 volts, it must have its own fuse or circuit breaker, and no other device or unit should be operated on that fuse or circuit breaker.
- We recommend that a qualified electrician install unit in accordance with the National Electrical Code and local codes and ordinances.
- Use copper conductors of correct wire gauge and protector size only.

Power Cord with Arc Detection Device

The power cord supplied with this air conditioner is equipped with an Arc Detection Device designed to shut off power to the unit when it senses an arc fault condition. An arc fault is an unintentional electrical discharge that occurs when electrical products or wires are damaged, aged, or improperly used. An arc fault can be potentially hazardous if left undetected.

DANGER

- **Do not** remove or modify this plug
- **Do not** use as an on/off switch
- **Do not** use outdoors
- **Do not** push furniture against or place furniture on the electrical cord. This can trip the test switch and/or damage the cord and become a potential condition for arcing
- **Do not** attempt to repair the cord. If the cord requires replacement, call an authorized servicer.
- The Arc Detection Device is not a Ground Fault Interrupter and should not be used as such
- The Arc Detection Device contains an electronic circuit board and should not be submerged or exposed to water spray

Resetting

If the Arc Detection Device has tripped, the reset button will pop up.

Follow these steps to reset the Arc Detection Device:

1. Unplug unit from electrical outlet
2. Press the reset button
3. Plug the unit back into electrical outlet
4. Check to see if power has returned to the unit

Testing

You should test the Arc Detection Device equipped power cord monthly, after every major electrical storm, or if power to your Room Air Conditioner has been interrupted.

Follow these steps to test the Arc Detection Device:

1. Unplug unit from electrical outlet
2. Press the reset button
3. Plug the unit back into electrical outlet
4. Press test button. Unit should trip and reset button will pop up.
5. Press reset button again for use

If above test fails, stop using the air conditioner and contact customer service by calling the following toll-free number:
1-866-629-8441

WARNING

Use two or more people to move and install air conditioner. Failure to do so can result in back or other injury.

CAUTION

- **Do not** cut, alter or remove any of the expanded polystyrene (styrofoam) inside this air conditioner.
- **Do not** introduce objects in the air discharge area. This could cause permanent damage.
- **Do not** pour liquids on the air conditioner as this could cause a malfunction. With the unit unplugged, use a damp cloth for cleaning the unit.

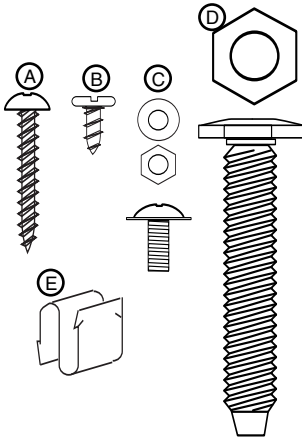
CAUTION

- **Do not** use strong solvents to clean the air conditioner.
- Clean the air conditioner filter every two weeks to avoid overheating caused by air obstruction. Do not operate without filter.
- **Do not** obstruct the air intake area of your air conditioner, as this could cause overheating, thus activating the unit's security switch and shutting off the unit.
- **Do not** block air circulation to outside louvers of cabinet.
- **Do not** block air flow inside with blinds, curtains, or furniture, or outside with shrubs, enclosures, or other buildings.
- **Do not** run the air conditioner with an outside protective cover in place. This could result in fire or mechanical damage within the air conditioner.
- Carefully inspect the location where the air conditioner will be installed. Be sure it will support the weight of the unit over an extended period of time.

Before you start:

Window Requirements:

Your new room air conditioner is factory prepared for easy installation in a horizontal sliding or casement type window with a minimum width of 15 1/2 inches. Unit will fit a 42 inch high window opening as received from factory.



Installation Parts Kit Fastener Identification


Description	Quantity
A) 1" long wood screws	2
B) 3/8" Self tapping screws	7
C) 7/16" mach. screws/nuts	2
D) Leveling Bolt/ Nut	1
E) Speed Clips	2

Tools Needed

 Screwdrivers

 Knife

 Tape Measure

 Drill

 Carpenter's Level

The installation is intended to be permanent, and when installed in apartment or rental properties, permission to make modifications should be obtained from owners or landlords of buildings prior to installation of unit.

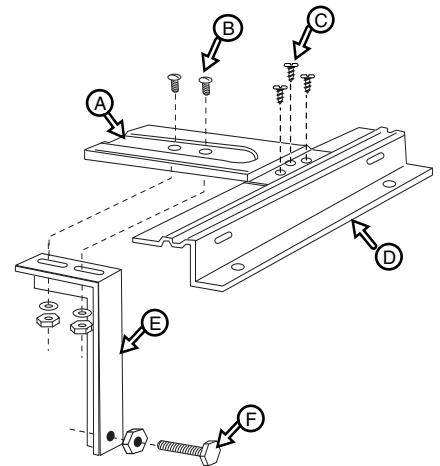
Sliding Window Installation

1. Choose the installation site. It is imperative that window frame assembly and side of structure are adequate to support weight of unit. Reinforce if necessary.
2. Slide open one window sash to install support platform.
3. Attach support platform to sill plate with three (3) 3/8" long self-tapping screws (Fig. 3).
4. Loosely attach support angle to bottom of support platform using two (2) 7/16" long machine screws, flat washers, and nuts.
5. Place support platform against lower window track and firmly against vertical edge of window frame (Fig. 4).
6. Attach support platform to window sill using two (2) 1" long self-tapping screws (Fig. 4).

If required, overcome interference of support platform with window track or storm windows by securely attaching a shim strip to the window sill. Strip should be as long as width of support platform and flush with back edge of sill. Thickness of strip should be controlled by amount of interference.

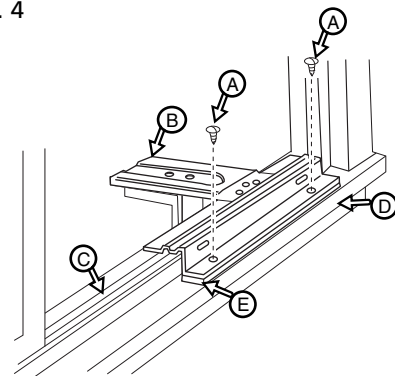
7. Pull support angle against outside of structure. Tighten two (2) 7/16" long machine screws on top of support platform (Fig. 3).
8. Adjust leveling bolt to position support angle in a level plane. This will allow for proper angle. Tighten leveling bolt locknut (Fig. 3).

Fig. 3 SUPPORT PLATFORM ASSEMBLY



- | | |
|-----------------------|------------------|
| A) Support Platform | E) Sill plate |
| B) 7/16" mach. screws | F) Support Angle |
| C) 3/8" Self tapping | Leveling Bolt |
| D) screws | |

Fig. 4



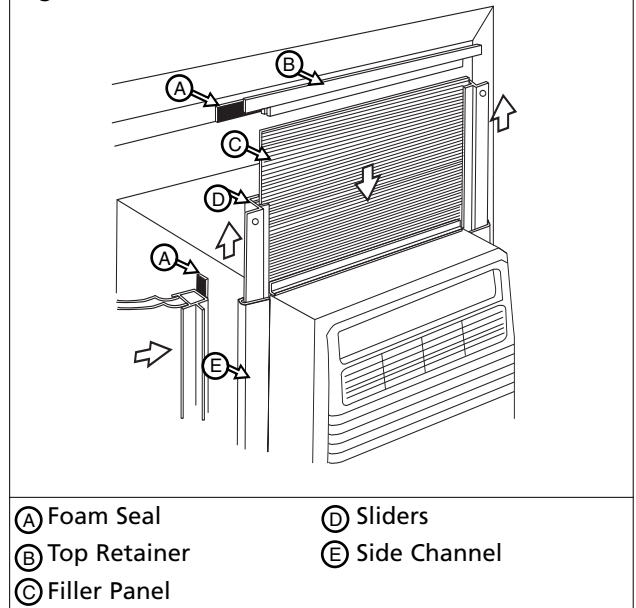
- | | |
|-----------------------|----------------|
| A) 1" long screws | D) Window Sill |
| B) Support Platform | E) Shim Strip |
| C) Lower window track | |

9. Cut two pieces of adhesive back foam seal to height of window opening. Remove backing and apply to window frame and sliding sash that will rest against unit (Fig. 5).
10. Slide unit onto support platform. Be sure unit side channel butts against vertical edge of window frame.

Note: If unit side channel does not fit securely, remove unit and readjust leveling bolt.

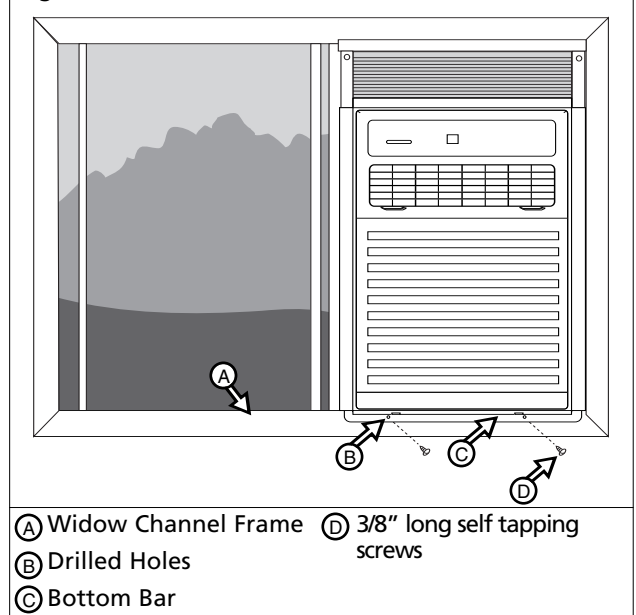
11. Drill two 1/8" holes through window channel frame in alignment with existing holes in bottom bar. Install two (2) 3/8" long self-tapping screws through these holes. If window channel frame is not tall enough to use existing holes, drill (2) new holes off to the side of the existing holes to attach the unit bottom bar to the support platform. Unit should be firmly anchored to window channel frame or support platform (Fig. 6).
12. Slide inside window sash closed. Be sure vertical edge of inside window sash is pressed firmly against side of unit cabinet. Cut remaining adhesive back foam seal to width of window opening. Remove backing and apply to top inside edge of window frame (Fig. 5).
13. Install speed clips on top and bottom inside edge of window to provide locking (Fig. 7).
14. Using supplied plastic foam seal, cut to proper length, insert between inside window sash and outside window (Fig. 7).
15. Place top retainer on top edge of filler panel, (Fig. 5) then place the bottom edge of filler panel into groove of bottom retainer (mounted on unit). Filler panel may be trimmed with knife or scissors to fit window height.
16. Slide sliders upward making sure filler panel aligns in sliders (Fig. 5).
17. With sliders up against top retainer, drill 1/8" hole through window frame in alignment with existing hole in slider. Install 3/8" long self-threading screw in hole. Repeat for other slider (Fig. 6 & 7).
18. Check all seals and plug all air leaks around unit. Use sealant to fill any minor openings.

Fig. 5



- | | |
|------------------|------------------|
| (A) Foam Seal | (D) Sliders |
| (B) Top Retainer | (E) Side Channel |
| (C) Filler Panel | |

Fig. 6



- | | |
|--------------------------|-----------------------------------|
| (A) Window Channel Frame | (D) 3/8" long self tapping screws |
| (B) Drilled Holes | |
| (C) Bottom Bar | |



Caution

Do not drill a hole in the bottom pan. Unit is designed to operate with approximately 1/2" of water in bottom pan.

Casement Window Installation

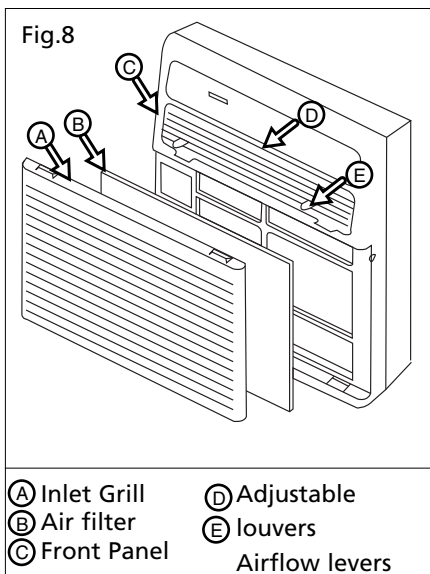
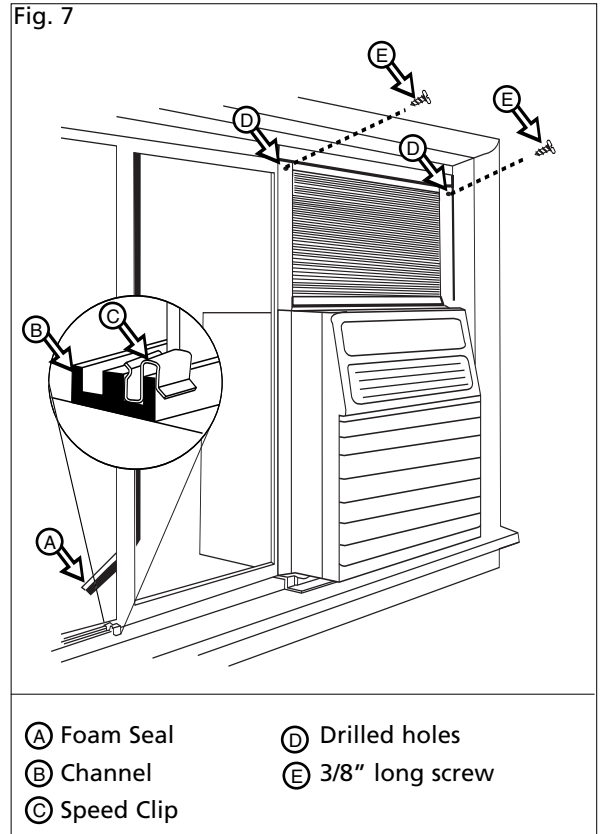
This air conditioner is designed to fit into most casement type windows. As shipped from factory, unit will fit into a minimum window opening 15 1/2" wide and 21" high. The preferred method of installation is through a closed or stationary window. Installation in an open window frame is also possible where open window can be secured to outside of building or removed completely.

1. Closed or Stationary Window: Install unit in stationary sash to avoid crank handles or window latches. If unit is to be installed in or next to a movable sash, it may be necessary to remove catch, handle or both. Remove crank handle and secure window in closed position. Remove glass panes and separating strips to a height sufficient to mount unit.
2. Open Window Frame: Remove crank mechanism and catch handles. Fold window sash back against exterior wall of building and secure, or remove completely where possible.
3. A filler panel will be required at side of unit when installed in windows having width greater than 15 1/2". Filler panel should be made from 3/4" thick wood securely anchored to one side of opening so that 15 1/2" wide opening is provided. Filler panel should run full length of window. Paint to suit.
4. Install unit in same manner as described for sliding windows.

Installation in Wood Sliding or Wood Casement Windows

1. For wood frame casement windows, it is necessary to construct a frame, using at least 1" thick wood with a 15 1/2" wide opening.
2. Paint frame and fasten it securely, sealing it into window opening.
3. Install unit into frame following procedures for metal sliding and casement windows.

These installations are also typical, and since styles and sizes of casement windows vary widely, it is advisable to have unit installed by someone skilled in this type of installation. The dealer selling these units can recommend or supply qualified people to install your new unit.



Directing Airflow Fig.8

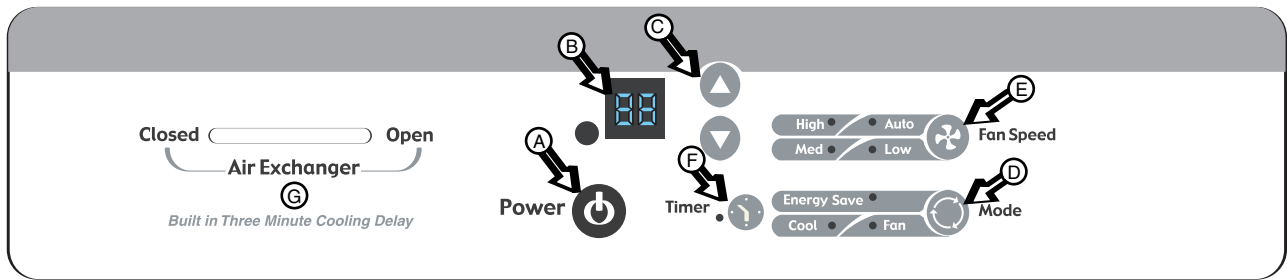
Air conditioner is engineered with adjustable louvers to direct discharge airflow. Louvers are manually adjusted by moving levers in direction of desired airflow.

Cleaning Air Filter Fig.8

When air conditioner is operating, indoor air is filtered and refiltered continuously trapping airborne dirt and dust in the washable filter. Therefore, the filter should be inspected and cleaned weekly.

1. Turn unit off.
2. Grasp both sides near top of inlet grill and pull forward. Inlet grill will pivot forward to reveal air filter.
3. Remove air filter from tabs.
4. Carefully wash air filter with a mild detergent and warm water. Rinse with clear water, squeeze dry and replace.
5. Replace inlet grill.

Electronic Control Panel



A Power Control

The Power Control turns the unit on and off.

B Set Temperature/ Timer Display

Shows the set temperature when the unit is in operation and hours when the timer is being set. *THE TEMPERATURE DISPLAY ONLY SHOWS THE SET TEMPERATURE, NOT THE ACTUAL ROOM TEMPERATURE.*

C Temperature/ Timer Hour Controls

These buttons are used to raise or lower the set temperature in increments of 1° from 66° to 88°. By depressing both buttons at once, the display will toggle between Celsius and Fahrenheit. When the timer is being set, these buttons are used to change the hour setting in increments of 1 from 00 to 24.

D Mode Control

A green light will indicate which mode is currently being utilized.

Cool Mode – The unit will circulate and cool the air.

Fan Mode – The unit will only circulate the air.

Energy Saver Mode –

The fan will switch from the set fan speed to LOW whenever the compressor turns off in response to the thermostat. When the compressor cycles back on, the unit will return to the original fan setting.

E Fan Speed Control

High, Medium, Low and Auto
The settings are adjusted with the Fan Speed Control, each time the button is depressed it changes the setting. A green light will indicate which setting is currently being used.

When the AUTO feature is selected while the air conditioner is in the COOL or HEAT mode, the fan speeds will change automatically as the temperature in the room changes.

- 7° or more above the set temperature will use HIGH FAN.
- 4° – 7° above the set temperature will use MED FAN.
- 4° or less above the set temperature will use LOW FAN.

F Timer Control (The timer can be set to either turn the unit on or off.)

To automatically START the unit using the Timer mode:

1. Push the timer button while the power is OFF. The display will read 00. Adjust the display to show the desired number of hours before START-UP using the Temperature/Timer adjustment arrows.
2. The display will show the amount of time, in hours, remaining until START-UP.
3. To exit Timer mode, push the Timer button.
4. A green light next to the Timer button indicates that the timer is set.

To automatically SHUT-DOWN the unit using the Timer mode:

1. Push the timer button while the power is ON. The display will read 00. Adjust the display to show the desired number of hours before SHUT-DOWN using the Temperature/Timer adjustment arrows. (The display will automatically return to the set temperature after 10 seconds.)
2. To display the amount of time left until SHUT-DOWN, push the Timer button once.
3. To exit Timer mode, push the Timer button twice.
4. A green light next to the Timer button indicates that the timer is set.

G Air Exchanger

Circulates fresh air and helps remove stale air when in the open position. Maximum air circulation and cooling occur when in the closed position.

Built-in three minute timing delay.

If this electronic unit will not respond to touch pad or remote control commands, it is necessary to unplug the unit from the electrical outlet for five seconds and then plug the unit back in.

Auto restart feature:

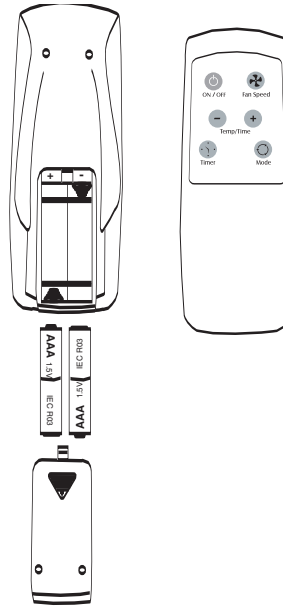
In the event of a power failure, this feature allows the unit to resume operation once power has been restored, retaining the most recent settings. Upon restoration of power, the timer mode may need to be reset if being utilized

Air Conditioner Remote Control

The functions work the same as your air conditioner's touch controls.

⚠ WARNING

- Use only AAA or IEC R03 1.5V batteries.
- Remove the batteries if the remote controller is not used for a month or longer.
- Do not mix alkaline, standard (carbon - zinc), or rechargeable (nickle-cadmium) batteries.
- Do not attempt to recharge the supplied batteries
- All batteries should be replaced at the same time.
- Do not dispose of the batteries in a fire as they may explode.
- Do not mix old and new batteries.
- Do not install the batteries with the polarity (+/-) reversed.
- Keep batteries and other things that could be swallowed away from young children. Contact a doctor immediately if an object is swallowed.



Troubleshooting Guide To save time and expense, check the following before calling an authorized service station.

Troubleshooting Guide

Occurrence	Possible Cause	Solutions
Air conditioner will not operate	<ul style="list-style-type: none"> • Wall plug disconnected. • House fuse blown or circuit breaker tripped. • Unit turned off and then on too quickly. • Adjust thermostat to lower temperature. 	<ul style="list-style-type: none"> • Push plug firmly into wall outlet. • Replace fuse with time delay type or reset circuit breaker. • Wait 3 minutes before restarting. • Adjust thermostat to lower temperature.
Air from unit does not feel cold enough	<ul style="list-style-type: none"> • Unit in Fan mode. • Temperature set too high. • Room temperature below 70°F. 	<ul style="list-style-type: none"> • Set Mode to Cool. • Set thermostat to lower temperature. • Cooling may not occur until room temperature rises above 70°F.
Air conditioner cooling, but room is too warm — ice forming on cooling coil behind decorative front*	<ul style="list-style-type: none"> • Outdoor temperature below 70°F. • Dirty air filter — air restricted. 	<ul style="list-style-type: none"> • To defrost the coil, set mode to Fan. Then, set thermostat to warmer temperature. • Clean filter. See "Cleaning the Air Filter" section. To defrost, set mode to Fan.
Air conditioner cooling, but room is too warm — no ice forming on cooling coil behind decorative front	<ul style="list-style-type: none"> • Dirty air filter — air restricted. • Thermostat set too warm. 	<ul style="list-style-type: none"> • Clean air filter. Refer to "Cleaning Air Filter" section. • Set thermostat to colder temperature.
Noise when unit is cooling	<ul style="list-style-type: none"> • Air movement sound. • Sound of fan hitting water-moisture removal system. • Window vibration — poor installation. 	<ul style="list-style-type: none"> • The sound of rushing air is normal. If too loud, Fan Speed to Low setting. • This is normal when humidity is high. Close doors, windows and registers. • Refer to installation instructions — check with installer.
Water dripping inside when unit is cooling	<ul style="list-style-type: none"> • Improper installation. 	<ul style="list-style-type: none"> • Tilt air conditioner slightly to the outside to allow water drainage. Refer to installation instructions — check with installer.
Water dripping outside when unit is cooling	<ul style="list-style-type: none"> • Unit removing large quantity of moisture from humid room. 	<ul style="list-style-type: none"> • This is normal during excessively humid days.

How to Obtain Warranty Service

Service for your Room Air Conditioner will be provided by CareCo through its network of Authorized Independent Servicers nationwide.

Note: Before calling for service, carefully read the "Installation and Operating Instructions" booklet. Then if you need service:

1. Call a CareCo authorized service contractor and advise of the model number, serial number, date of purchase and the nature of your complaint. Service will be provided during normal working hours. Contact your dealer for the name of an authorized service contractor, if unknown to you.

2. If your dealer is unable to give you the name of a service contractor or if you need other assistance, call CareCo at

1-800-332-6658

or write:

CareCo

415 Wabash Avenue

Effingham, IL 62401

Proof of Purchase Date

It is the responsibility of the consumer to establish the original purchase date for warranty purposes. We recommend that a bill of sale, canceled check or some other appropriate payment record be kept for that purpose.