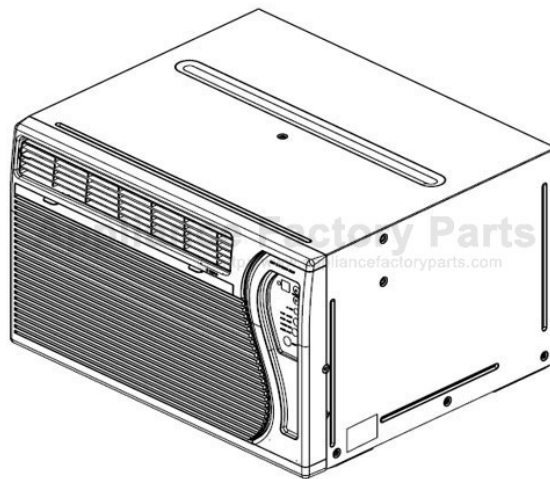


This Owner's Manual is provided and hosted by [Appliance Factory Parts](#).



# CLIMETTE CA1026TRF Owner's Manual

[Shop genuine replacement parts for CLIMETTE  
CA1026TRF](#)



[Find Your CLIMETTE Air Conditioner Parts - Select From 63 Models](#)

----- Manual continues below -----

## Room Air Conditioners for Through-The-Wall Installation

Please read the operating instructions and safety precautions carefully and thoroughly before installing and operating your air conditioner.

ENGLISH PAGE 1

## Acondicionadores de aire empotrados en la pared

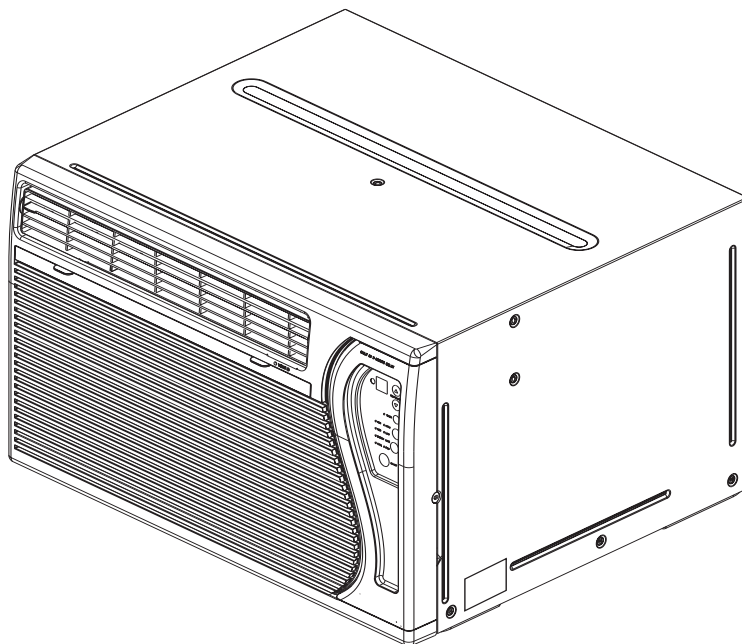
Por favor lea las instrucciones de operación y las precauciones de seguridad cuidadosa y totalmente antes de instalar y operar su acondicionador de aire de ventana.

ESPAÑOL PÁGINA 13

## Climatiseur d'air individuel pour installation murale dans une gaine

Veuillez lire attentivement et en entier ce guide d'utilisation et les mesures de sécurité ci-incluses avant de procéder à l'installation et au fonctionnement de votre climatiseur.

FRANÇAIS PAGE 25



**Table of Contents**

**Electrical Requirements & Safety Precautions**

Power cord with arc detection device ..... 1

Important grounding requirements ..... 2

Electric shock hazard .....2

Additional safety precautions ..... 2

**Installation**

Before you begin ..... 3

Parts list ..... 3

Installing the rear grille into a new wall sleeve ..... 4

Installing the rear grille into an existing wall sleeve .... 5

Installing the air conditioner into the sleeve .....7

Installing the trim frame .....7

**Operation**

Electronic controls .....8

Directing airflow .....9

Air conditioner remote control .....9

**Maintenance**

Cleaning the air filter ..... 10

Troubleshooting guide ..... 10

**Service & Warranty**

How to obtain warranty service or parts .....11

**For Future Reference**

**Write down the model and serial numbers**

The model and serial numbers can be found on the side of the cabinet near the control panel. Use these numbers in any correspondence or service calls concerning your air conditioner.

_____
Model No.
_____
Serial No.
_____
Date of Purchase

**Keep these instructions for future reference.**

**Power Cord with Arc Detection Device**

The power cord supplied with this air conditioner is equipped with an Arc Detection Device designed to shut off power to the unit when it senses an arc fault condition. An arc fault is an unintentional electrical discharge that occurs when electrical products or wires are damaged, aged, or improperly used. An arc fault can be potentially hazardous if left undetected.

**⚠ WARNING ⚠**

- **Do not** remove or modify this plug
- **Do not** use as an on/off switch
- **Do not** use outdoors
- **Do not** push furniture against or place furniture on the electrical cord. This can trip the test switch and/or damage the cord and become a potential condition for arcing
- **Do not** attempt to repair the cord. If the cord requires replacement, call an authorized servicer.
- The Arc Detection Device is not a Ground Fault Interrupter and should not be used as such
- The Arc Detection Device contains an electronic circuit board and should not be submerged or exposed to water spray

**Resetting**

If the Arc Detection Device has tripped, the reset button will pop up. Follow these steps to reset the Arc Detection Device:

1. Unplug unit from electrical outlet
2. Press the reset button
3. Plug the unit back into electrical outlet
4. Check to see if power has returned to the unit

**Testing**

You should test the Arc Detection Device equipped power cord monthly, after every major electrical storm, or if power to your Room Air Conditioner has been interrupted.

- Follow these steps to test the Arc Detection Device:
1. Unplug unit from electrical outlet
  2. Press the reset button
  3. Plug the unit back into electrical outlet
  4. Press test button. Unit should trip and reset button will pop up.
  5. Press reset button again for use

If above test fails, stop using the air conditioner and contact customer service by calling the following toll-free number: **1-800-332-6658**



## Warning



**Do not** operate this air conditioner without proper time delay circuit protection (circuit breaker or fuse). Refer to serial plate for proper power supply requirements.

### Recommended Wire Sizes

(As installed per building code) :

#### PROTECTOR SIZE WIRE GAUGE

15 AMP #14 MINIMUM

20 AMP #12 MINIMUM

30 AMP #10 MINIMUM



125V  
15A



250V  
20A



250V  
15A



250V  
30A



## Warning



### Electrical Shock Hazard



- Plug unit only into a grounded electrical outlet.
- **Do not** use an extension cord or plug adapter with this unit.
- **Do not** operate unit with decorative front or filter removed.
- **Failure to follow these precautions could result in electrical shock, fire or personal injury.**
- **If the air conditioner has a serial plate rating of 115 volts and greater than 7.5 amps, it must have its own fuse or circuit breaker, and no other device or unit should be operated on that fuse or circuit breaker.**
- **If the air conditioner has a serial plate rating of 230 volts, it must have its own fuse or circuit breaker, and no other device or unit should be operated on that fuse or circuit breaker.**
- We recommend that a qualified electrician install unit in accordance with the National Electrical Code and local codes and ordinances.
- Use copper conductors of correct wire gauge and protector size only.
- **Do not** alter cord or plug end. **Do not** remove warning label on cord.

### Important Grounding Requirements

- Air conditioner has a three-prong grounding plug on the power supply cord, which must be plugged into a properly grounded three-prong wall receptacle for your protection against possible shock hazard. For models up to and including 7.5 amperes, use a grounding type wall receptacle to match the cord plug.
- For models above 7.5 amperes use a single outlet grounding type wall receptacle to match the cord plug.

### Additional Safety Precautions

- **Do not** cut, alter or remove any of the expanded polystyrene (styrofoam) inside this air conditioner.
- **Do not** store or use gasoline or other flammable vapors and liquids in the vicinity of this or any other appliance. The fumes can create a fire hazard or explosion.
- **Do not** introduce objects in the air discharge area. This could cause permanent damage.
- **Do not** pour liquids on the air conditioner as this could cause a malfunction. With the unit unplugged, use a damp cloth for cleaning the unit.
- **Do not** use strong solvents to clean the air conditioner.
- Clean the air conditioner filter every two weeks to avoid overheating caused by air obstruction. Do not operate without filter.
- **Do not** obstruct the air intake area of your air conditioner, as this could cause overheating, thus activating the unit's security switch and shutting off the unit.
- **Do not** block air circulation to outside louvers of cabinet.
- **Do not** block air flow inside with blinds, curtains, or furniture, or outside with shrubs, enclosures, or other buildings.
- **Do not** run the air conditioner with an outside protective cover in place. This could result in fire or mechanical damage within the air conditioner.
- Depending on the model, your air conditioner may weigh as much as 95 pounds. To insure safe handling, obtain the necessary help to lift and position the unit during installation and removal.
- Handle air conditioner with care. Wear protective gloves whenever lifting or carrying the unit.
- Carefully inspect the location where the air conditioner will be installed. Be sure it will support the weight of the unit over an extended period of time.

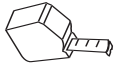
## Before you start

You have purchased a Through-the-Wall style air conditioner. This type of air conditioner is designed to be installed inside a wall sleeve mounted into a wall opening.

### Tools Needed



Phillips screwdriver



Rule or tape measure



Level

You may also need a drill with 1/8" or smaller bit, depending on your installation requirements.

## Installation Requirements

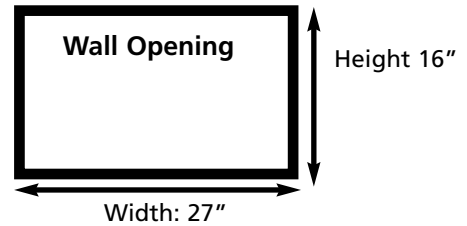
Check the location where the air conditioner will be installed. Proper installation is your responsibility. Make sure you have read the instructions thoroughly and have everything necessary for correct installation.

### The location should provide:

- Grounded electrical outlet within 4 ft. (122 cm) of where the power cord exits the air conditioner.

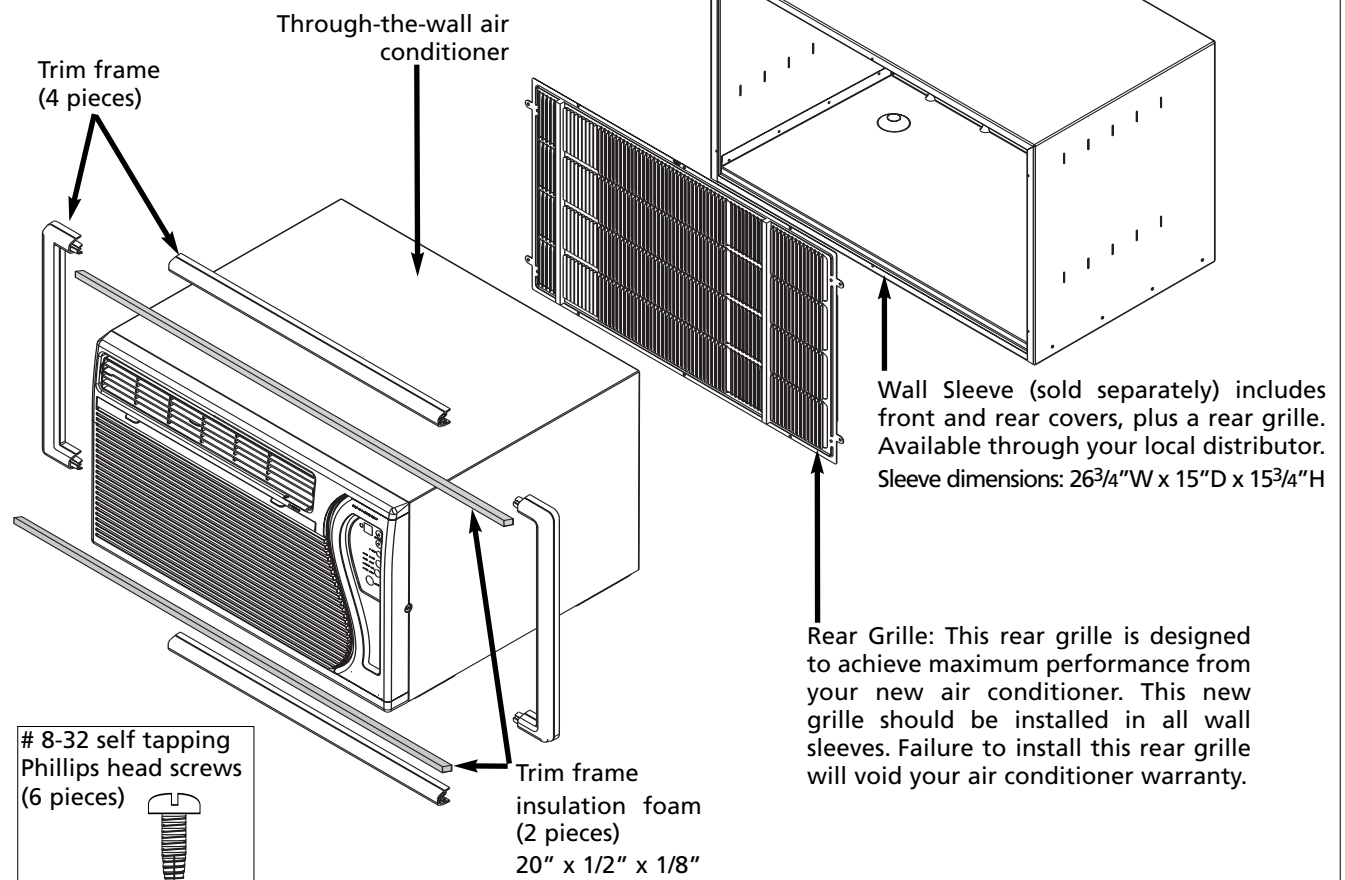
### NOTE: DO NOT USE AN EXTENSION CORD.

- Free movement of air in room to be cooled.
- A large enough opening for the air conditioner and sleeve.
- Adequate wall support for weight of air conditioner over an extended period of time.



## Installation Parts

Several components are included with your air conditioner to complete a successful installation. Please compare the contents of the carton with this illustration.



## Installing the rear grille into a new wall sleeve:

A new wall sleeve (sold separately) will ensure the best fit and performance of your new through-the-wall air conditioner. See your local dealer or distributor about purchasing wall sleeve.

Follow the installation instructions that are included with your new wall sleeve.

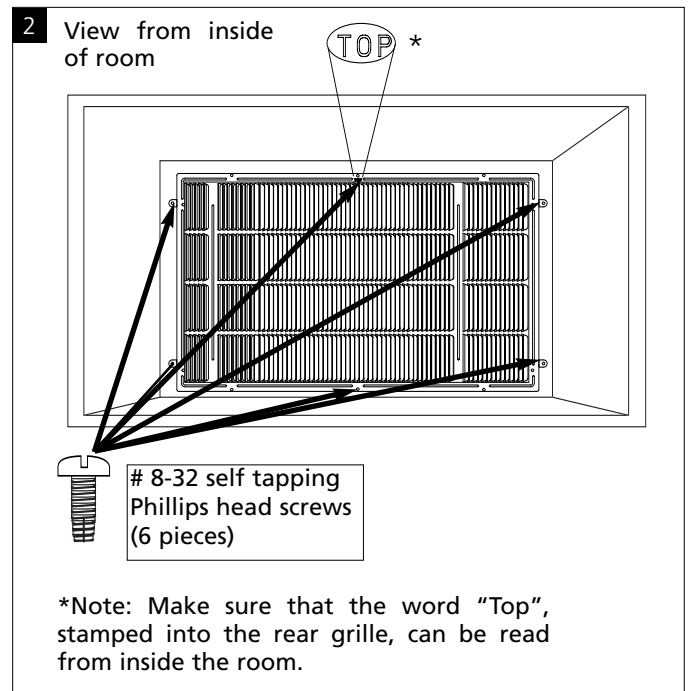
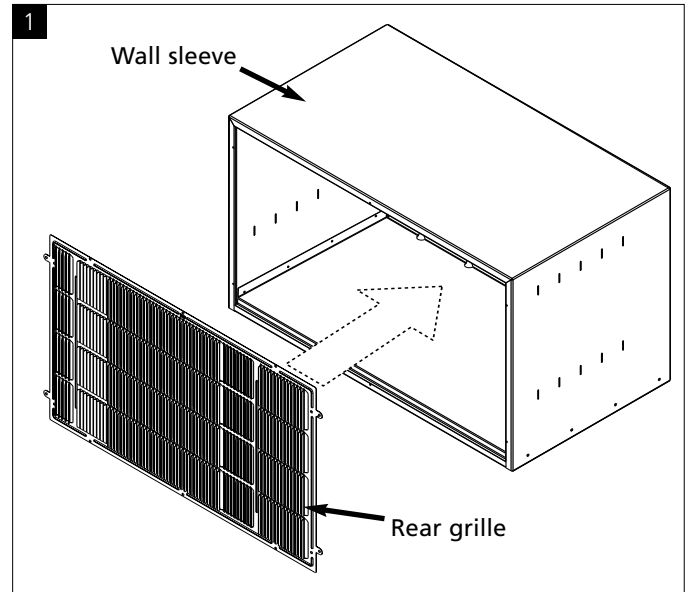
If you have a new wall sleeve already installed in the room with front and rear covers in place, you may complete the installation by attaching the rear grille.

To install the rear grille into a new wall sleeve:

1. Remove the front and back covers of the new wall sleeve. Save the covers for future use to seal the wall sleeve if the air conditioner is removed.
2. Clean out any debris from inside the wall sleeve, making sure the inside is clean and that the drain holes are completely open.
3. Insert the new grille into the wall sleeve. (Fig. 1)
4. Secure the grille to the sleeve with six (6) screws (provided) through the holes in the grille and into the sleeve. (Fig. 2)

**Warning:** Install the new grille that came with your unit or new sleeve. If this rear grille is not installed in the wall sleeve, your unit will not operate correctly and the warranty will be void.

Both the air conditioner and the wall sleeve come with the rear grille. If you have ordered both items, you may discard the extra grille.



## Installing the rear grille into an existing wall sleeve:

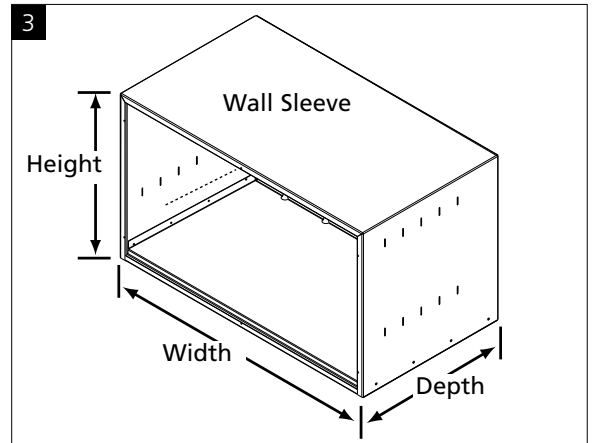
1. Measure the dimensions of your existing wall sleeve. (Fig. 3)
2. Locate your wall sleeve in the wall sleeve identification chart below.

If you have any questions or if your sleeve is not listed please call your dealer

**You must install the new grille included with your air conditioner. Failure to do so could damage the unit and will void the warranty.**

### Wall sleeve identification chart

Determine the type of wall sleeve you have from the chart below and follow the instructions and warnings in the section indicated.



Dimensions of wall sleeve			Wall Sleeve Manufacturer	Follow instructions under section
Width	Depth	Height		
25 7/8"	18"	15 9/16"	Carrier (52F series)	<b>Section B</b>
25 3/4"	18 5/8"	16 7/8"	Carrier (51S Series)	<b>Section B</b>
26 3/4"	15"	15 3/4"	Emerson Quiet Kool	<b>Section A</b>
26 3/4"	15"	15 3/4"	Fedders	<b>Section A</b>
27"	16 3/4"	16 3/4"	Fedders "A" chassis (BSA000D)	See note below
27"	19 3/4"	16 3/4"	Fedders "B" chassis (BSB000D)	See note below
27"	16 3/4"	16 3/4"	Friedrich	See note below
25 7/8"	16"/18"/22"	15 7/8"	Frigidaire	<b>Section B</b>
26"	16 7/8"	15 5/8"	General Electric/Hotpoint	<b>Section C</b>
25 7/8"	16 23/32"	15 17/32"	LG	<b>Section B</b>
26 3/4"	15"	15 3/4"	Maytag	<b>Section A</b>
25 1/2"	19"	15 5/8"	Sears	<b>Section A</b>
25 1/2"	22 9/16"	15 5/8"	Sears	<b>Section A</b>
27 3/8"	15 3/4"	16"	Welbilt	See note below
25 1/2"	22 9/16"	15 5/8"	Whirlpool	See note below
25 1/2"	19"	15 5/8"	Whirlpool	<b>Section A</b>
25 1/2"	22"	15 1/4"	White-Westinghouse	<b>Section B</b>

### If your existing sleeve is 27" wide or greater, STOP HERE.

These sleeves require a larger rear grille than the one provided with this unit and different installation parts. You will need to **order kit number A38500W from your local distributor.** Included in the kit is a rear grille, larger trim frame, rear air deflector, baffles, and larger foam pieces that will be needed to correctly install your air conditioner in a wall sleeve that is 27 inches wide or greater than 27 inches. Please contact the distributor where you purchased the unit. **If you do not install your new air conditioner using this kit you will cause damage to the air conditioner and the warranty will be void.**



## Section A

Dimensions of wall sleeve			Wall Sleeve Manufacturer
Width	Depth	Height	
26 3/4"	15"	15 3/4"	Emerson Quiet Kool
26 3/4"	15"	15 3/4"	Fedders
26 3/4"	15"	15 3/4"	Maytag
25 1/2"	19"	15 5/8"	Sears
25 1/2"	22 9/16"	15 5/8"	Sears
25 1/2"	22 9/16"	15 5/8"	Whirlpool
25 1/2"	19"	15 5/8"	Whirlpool

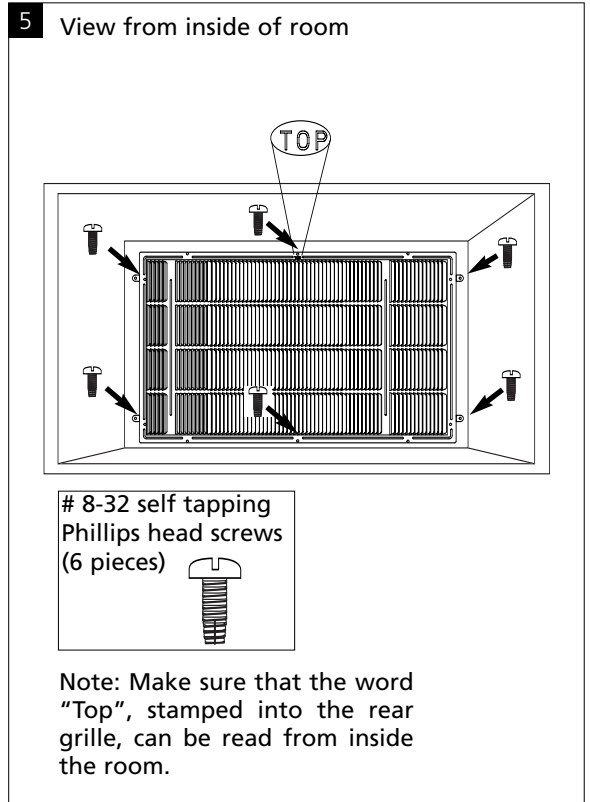
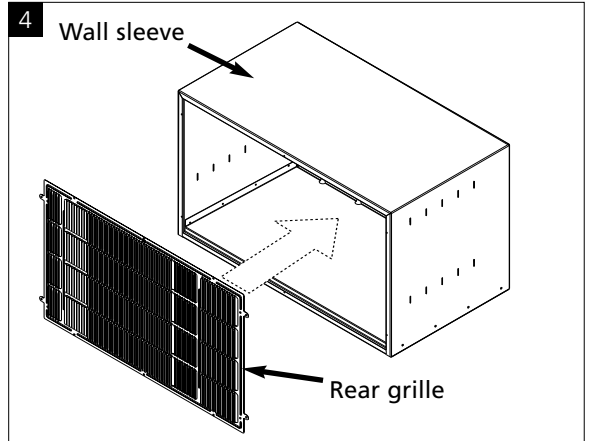
### Warning:

This type of sleeve will require you to remove the existing rear grille and install the new grille that came with your unit. If this new rear grille is not installed in the wall sleeve your unit will not operate correctly and the warranty will be void.

1. Remove screws attaching the existing grille to the wall sleeve.
2. Remove the existing grille.
3. Clean out any debris.
4. Insert new grille into sleeve. (Fig. 4)

**Note: Make sure that the word "Top" can be read from inside the room.(Fig. 5)**

5. Secure the grille to the back of the sleeve with the six (6) screws (provided). The screws will attach through the holes in the grille and into the corresponding holes in the sleeve. (Fig. 5)





## Section B

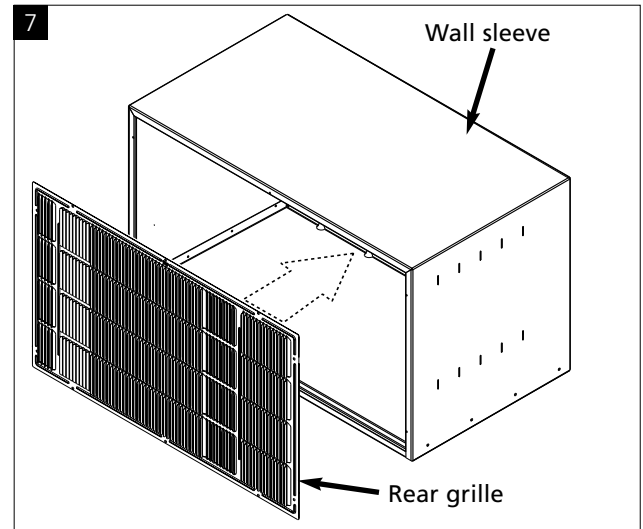
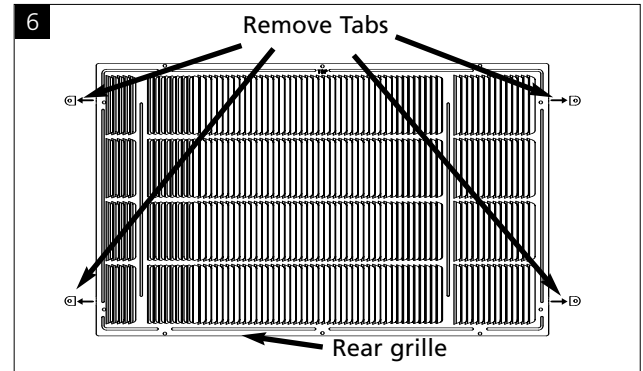
Dimensions of wall sleeve			Wall Sleeve Manufacturer
Width	Depth	Height	
25 7/8"	18"	15 9/16"	Carrier (52F series)
25 3/4"	16 7/8"	18 5/8"	Carrier (51S Series)
25 7/8"	16"/18"/22"	15 7/8"	Frigidaire
25 7/8"	16 23/32"	15 17/32"	LG
25 1/2"	22"	15 1/4"	White-Westinghouse

**Warning:** This type of sleeve will require you to remove the old rear grille and install the new grille that came with your unit. If this rear grille is not installed in the wall sleeve your unit will not operate correctly and the warranty will be void.

1. Remove the existing rear grille from the wall sleeve.
2. Clean out any debris.
3. Remove tabs on sides of the grille provided with your new unit by bending tabs back and forth using a pair of pliers. Wear gloves to protect your hands from sharp edges. (Fig. 6)
4. Insert new grille into sleeve. (Fig. 7)

**Note:** Make sure that the word "Top", stamped into the rear grille, can be read from inside the room.

5. Secure the new rear grille to the sleeve by using the screws (provided) in the same locations as the screws that secured the old rear grille.



## Section C

Dimensions of wall sleeve			Wall Sleeve Manufacturer
Width	Depth	Height	
26"	16 7/8"	15 5/8"	General Electric/Hotpoint

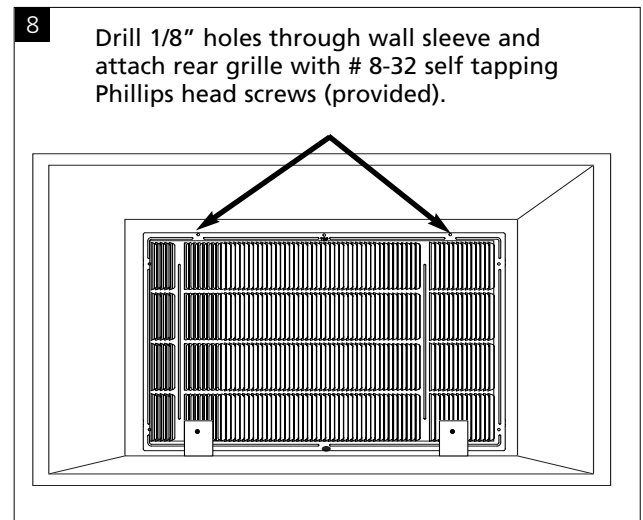
**Warning:**

This type of sleeve will require you to remove the old rear grille and install the new grille that came with your unit. If this rear grille is not installed in the wall sleeve your unit will not operate correctly and the warranty will be void.

1. Remove the existing grille from the wall sleeve.
2. Clean out any debris.
3. Remove the tabs on the sides of the grille provided with your new unit by bending the tabs back and forth using a pair of pliers. Wear gloves to protect your hands from sharp edges. (Fig. 6)
4. Insert new grille into sleeve. (Fig. 7)

**Note:** Make sure that the word "Top", stamped into the rear grille, can be read from inside the room.

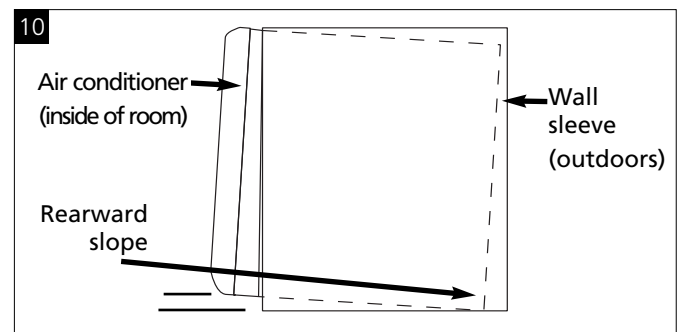
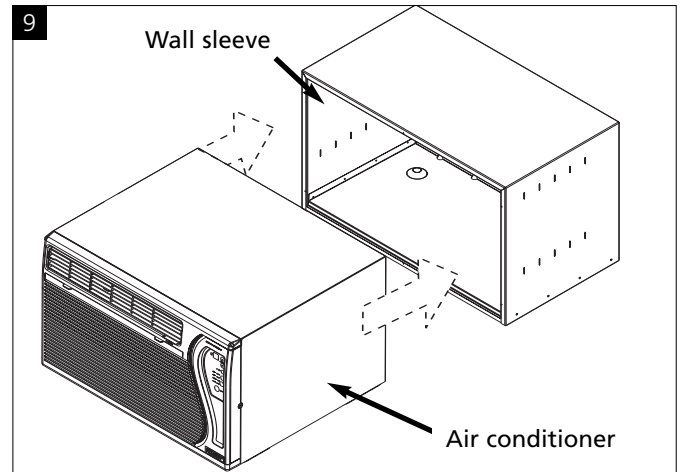
5. Mark the locations of two holes on the top of the wall sleeve. Using these marks as a guide, drill holes into the sleeve using a 1/8" drill bit. Attach the rear grille using the supplied screws. (Fig. 8)



## Installing the air conditioner into the wall sleeve

1. Replace any damaged foam inside the wall sleeve with replacement foam. Two pieces of adhesive backed replacement foam are provided, one vertical piece (15 3/4" x 3/4" x 1") and one horizontal (25" x 3/4" x 1").
2. Depending on the model, your air conditioner may weigh as much as 95 pounds. To insure safe handling, obtain the necessary help to lift and position the unit during installation and removal.
3. Slide air conditioner fully into the sleeve. (Fig. 9) The air conditioner should be centered in the sleeve so that all seals bear evenly to prevent air leakage. NOTE: THE UNIT IS APROX. 6" DEEPER THAN THE SLEEVE. THE UNIT WILL PROTRUDE APROX. 6" FROM THE SLEEVE INTO THE ROOM.

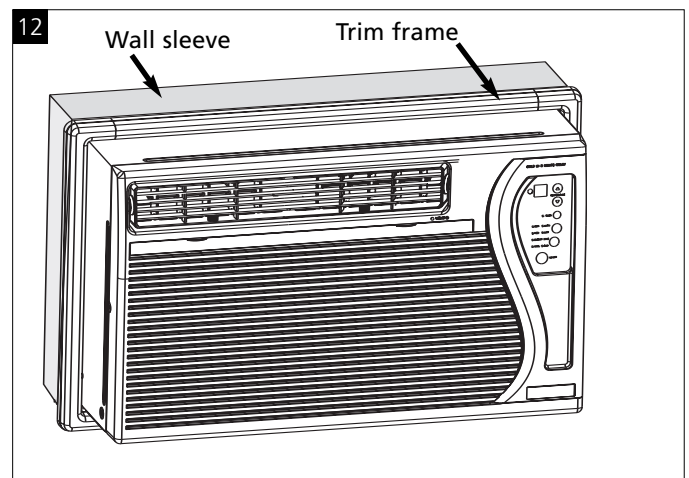
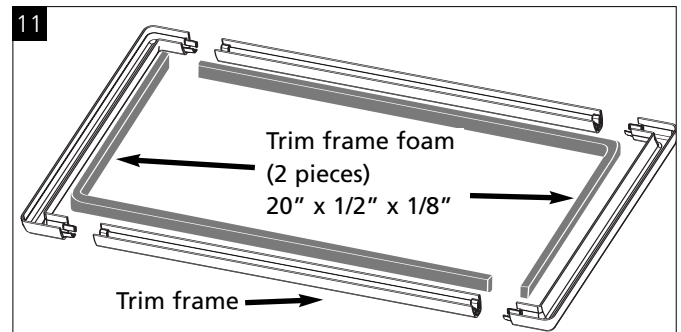
**When installation is complete, the unit must have a rearward slope to prevent condensate water from entering the room. (Fig. 10) Check with a level.**

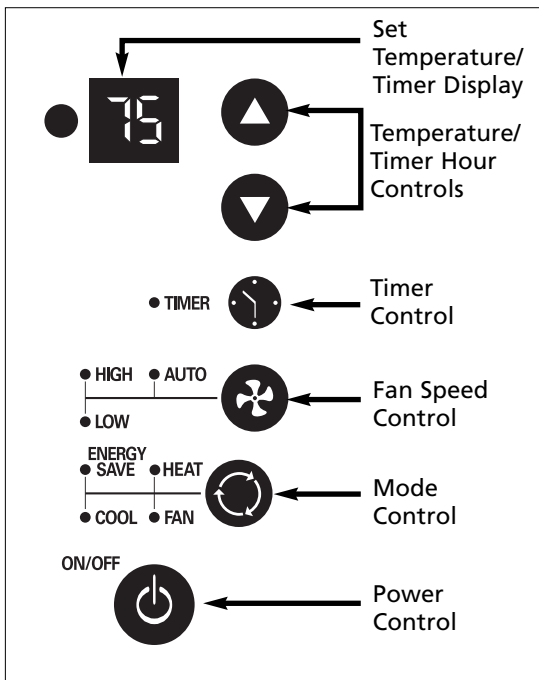


## Installing the trim frame

The trim frame covers any gaps between the wall sleeve and the air conditioner.

1. Assemble trim frame by laying the 4 frame pieces face down on a flat surface and snapping them securely together. (Fig. 11)
2. Install the 20" x 1/2" x 1/8" adhesive backed insulating foam around the inside edge of the trim frame. Begin in the bottom left corner and place the insulating foam around the entire inside of trim frame.
3. Slide the trim frame onto the air conditioner until the foam makes a seal with the wall sleeve. (Fig. 12)





### Built-in three minute timing delay.

If the electronic controls do not respond to touch pad or remote control commands, you must unplug the unit from the electrical outlet for five seconds and then plug the unit back in.

### Auto restart feature:

In the event of a power failure, this feature allows the unit to resume operation once power has been restored, retaining the most recent settings. Upon restoration of power, the timer mode may need to be reset if being utilized.



### CAUTION



Heat/Cool models or units with electric heat are designed to be used only as a supplemental heat source. They should be used in addition to regular heating systems and never as the primary source of heat.

## Power Control

The Power Control turns the unit on and off.

## Set Temperature/Timer Display

The Set Temperature/Timer Display shows the set temperature when the unit is in operation and hours when the timer is being set.

THE TEMPERATURE DISPLAY ONLY SHOWS THE SET TEMPERATURE, NOT THE ACTUAL ROOM TEMPERATURE.

## Temperature/Timer Hour Controls

These buttons are used to raise or lower the set temperature. By depressing both buttons at once, the display will toggle between Celsius and Fahrenheit. When the timer is being set, these buttons are used to change the hour setting.

## Mode Control Fan, Cool, Heat (Heat models only), and Energy Save.

A green light will indicate which mode is currently being utilized.

**Cool Mode** – The unit will circulate and cool the air.

**Fan Mode** – The unit will only circulate the air.

**Heat Mode** (Heat models only)- The unit will circulate and heat the air.

**Heater Safety Feature-** When heater is powered off, low fan will automatically stay on and run for 60 seconds to ensure the removal of residual heat, meanwhile, the Low Fan LED blinks until the low fan stops.

**Energy Save Mode** – The fan will switch from the set fan speed to Low whenever the compressor turns off in response to the thermostat. When the compressor cycles back on, the unit will return to the original fan setting.

## Fan Speed Control

High, Medium\*, Low and Auto

The settings are adjusted with the Fan Speed Control, each time the button is depressed it changes the setting. A green light will indicate which setting is currently being used.

When the AUTO feature is selected while the air conditioner is in the COOL or HEAT mode, the fan speeds will change automatically as the temperature in the room changes.

### COOL Mode

- 7° or more above the set temperature will use HI fan.
- 4° or less above the set temperature will use LO fan.

### HEAT Mode

- 9° or more below the set temperature will use HI fan.
- 4° or less below the set temperature will use LO fan.

\*MEDIUM FAN NOT available on HEAT models.

## Timer Control

The timer can be set to either turn the unit on or off.

### To turn the unit on using the Timer:

Depress the timer key when the power is off, the display will read 00. Adjust to the desired number of hours before TURN ON using the up/down arrows.

- The display will show the time by hours left until TURN ON.
- To Turn the timer off, depress the timer key.
- A green light next to the Timer Control indicates that the timer is set.

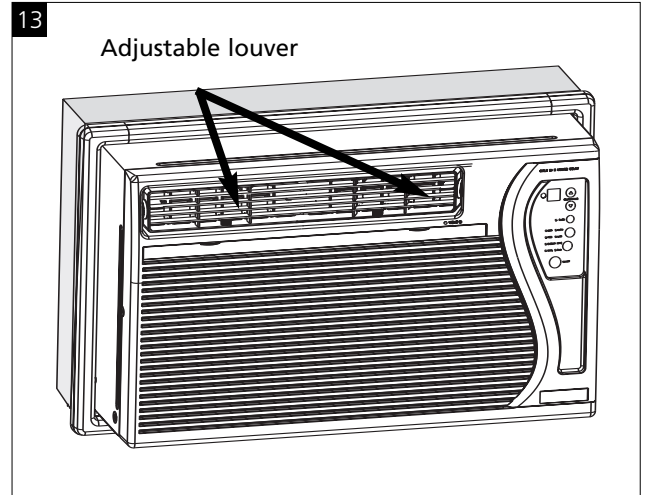
### To turn the unit OFF using the Timer:

Depress the timer key when the power is on, the display will read 00. Adjust to the desired number of hours before TURN OFF using the up/down arrows. The display will automatically go back to the set temperature after 10 seconds.

- To display the amount of time left until TURN OFF, depress the timer button once.
- To turn the TIMER OFF, depress the timer button twice.
- A green light next to the Timer Control indicates that the timer is set.

## Directing Airflow (Unit with adjustable louvers)

The unit includes adjustable louvers to direct discharge airflow. Louvers are manually adjusted by moving the levers in the direction of desired airflow. (Fig. 13)



## Air Conditioner Remote Control

The functions on the remote control work the same as your air conditioner's touch controls. For a full explanation of these controls please see the previous page .

### On/Off

The On/Off button is used to turn the unit on or off.

### Temp/Time

The Time/Temp buttons are used to raise or lower the set temperature. These buttons are also used to set the timer.

### Mode

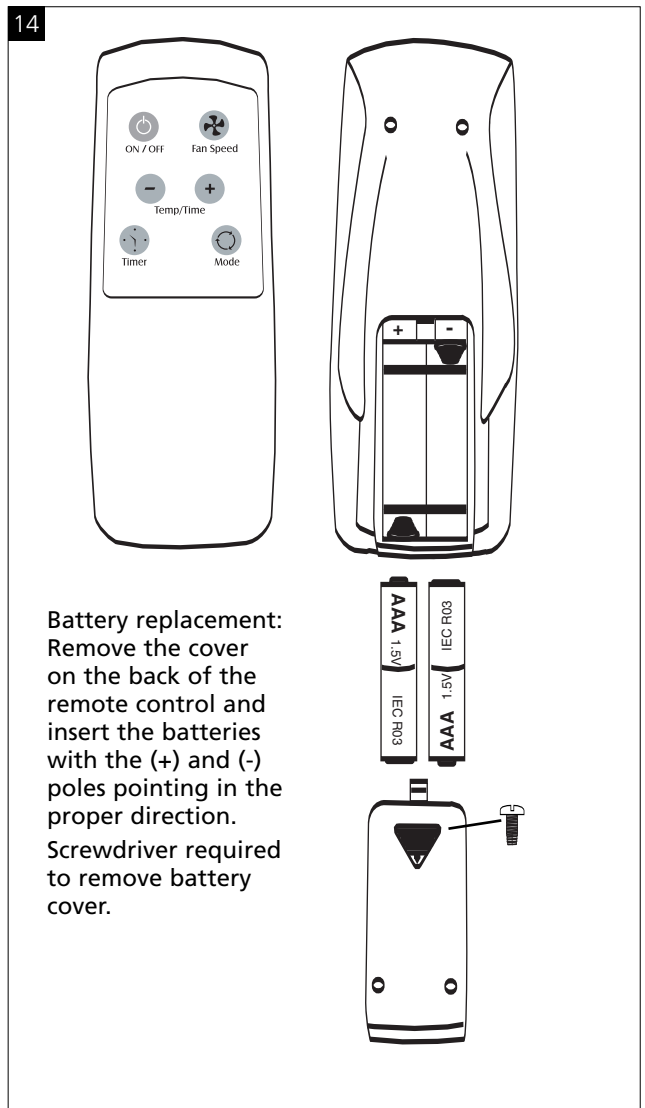
The Mode button changes the operational mode. Available modes are: Fan, Cool, Heat (Heat models only), and Energy Save.

### Fan Speed

Each time the button is depressed it changes the fan speed setting. Available fan speeds are High, Low, and Auto.

### Timer

The timer button accesses the timer function which can be set to either turn the unit on or off.



**Battery replacement:**  
Remove the cover on the back of the remote control and insert the batteries with the (+) and (-) poles pointing in the proper direction. Screwdriver required to remove battery cover.

### CAUTION:

- Use only AAA or IEC R03 1.5V batteries.
- Remove the batteries if the remote control will not be used for a month or longer.
- Do not attempt to recharge the supplied batteries.
- All batteries should be replaced at the same time.
- Do not dispose of the batteries in a fire as they may explode.
- Do not mix old and new batteries.
- Do not mix alkaline, standard (carbon - zinc), or rechargeable (nickel-cadmium) batteries.
- Do not install the batteries with the polarity (+/-) reversed.
- Keep batteries and other objects that could be swallowed away from young children. Contact a doctor immediately if an object is swallowed.

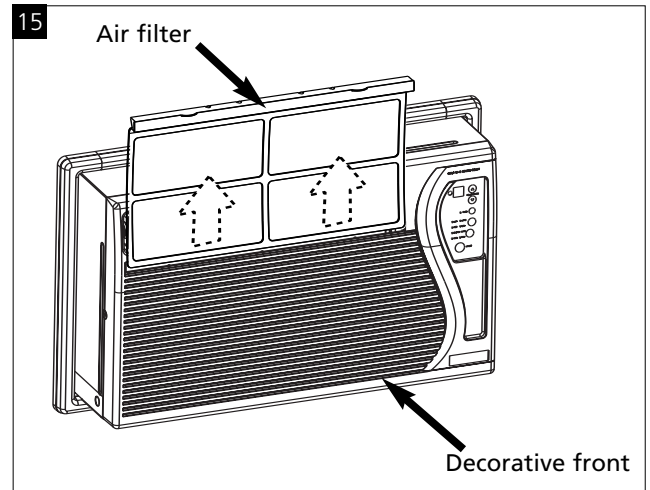
**Cleaning the air filter**

**EVERY TWO WEEKS: Clean the filter.**

1. Turn Power OFF.
2. Remove the air filter by grasping the top corners and pulling it up and out of the unit. (Fig. 15)
3. Wash in hot soapy water, rinse and shake dry.
4. Replace the filter with the front of the filter toward you.
5. To dry the filter thoroughly, run your unit in fan mode for a few minutes. Remember, only a clean filter works properly and delivers top efficiency at every setting.

**Note: Failure to keep air filter clean will result in poor air circulation. DO NOT operate without filter. This can render the unit inoperative.**

Proper use and care of your air conditioner will help ensure longer life of the unit. It is recommended to have a professional annually inspect and clean the coils and condensate water passages. Expense of annual inspection is the consumer's responsibility.



**Troubleshooting Guide**

Occurrence	Possible Cause	Solutions
<b>Air conditioner will not operate</b>	<ul style="list-style-type: none"> <li>• Wall plug disconnected.</li> <li>• House fuse blown or circuit breaker tripped.</li> <li>• Power control in OFF position.</li> <li>• Unit accidentally turned off by moving the thermostat to a higher temperature and then immediately turned back to a colder position.</li> <li>• Unit turned off and then on too quickly.</li> <li>• Thermostat set too low for cooling.</li> </ul>	<ul style="list-style-type: none"> <li>• Push plug firmly into wall outlet.</li> <li>• Replace fuse with time delay type or reset circuit breaker.</li> <li>• Turn power control to ON.</li> <li>• Wait approximately 3 minutes. Listen for the compressor to start.</li> <li>• If air conditioner is turned off, wait 3 minutes before restarting.</li> <li>• Adjust thermostat to higher setting for cooling.</li> </ul>
<b>Air from unit does not feel cold enough</b>	<ul style="list-style-type: none"> <li>• Selector in fan position.</li> <li>• Thermostat set too warm.</li> <li>• Room temperature below 70°F.</li> </ul>	<ul style="list-style-type: none"> <li>• Set mode to cool position.</li> <li>• Set thermostat to colder temperature.</li> <li>• Cooling may not occur until room temperature rises above 70°F.</li> </ul>
<b>Air conditioner cooling, but room is too warm — ice forming on cooling coil behind decorative front</b>	<ul style="list-style-type: none"> <li>• Outdoor temperature below 70°F.</li> <li>• Dirty air filter — air restricted.</li> <li>• Thermostat set too cold for nighttime cooling.</li> </ul>	<ul style="list-style-type: none"> <li>• To defrost the coil, set selector to FAN position. Then, set thermostat to warmer position.</li> <li>• Clean filter. See "Cleaning the Air Filter" section. To defrost, set selector to FAN.</li> <li>• To defrost the coil, set selector to FAN position.</li> </ul>
<b>Air conditioner cooling, but room too warm — NO ice forming on cooling coil behind decorative front</b>	<ul style="list-style-type: none"> <li>• Dirty air filter — air restricted.</li> <li>• Thermostat set too warm.</li> <li>• Fan selector set on LOW.</li> </ul>	<ul style="list-style-type: none"> <li>• Clean air filter. Refer to "Cleaning the air filter" section (above).</li> <li>• Set thermostat to colder setting.</li> <li>• Set fan speed selector to HIGH for maximum cooling.</li> </ul>
<b>Noise when unit is cooling</b>	<ul style="list-style-type: none"> <li>• Air movement sound.</li> <li>• Sound of fan hitting water-moisture removal system.</li> <li>• Window vibration — poor installation.</li> </ul>	<ul style="list-style-type: none"> <li>• The sound of rushing air is normal. If too loud, turn selector to lower fan setting.</li> <li>• This is normal when humidity is high. Close doors, windows and registers.</li> <li>• Refer to installation instructions — check with installer.</li> </ul>
<b>Water dripping inside when unit is cooling</b>	<ul style="list-style-type: none"> <li>• Improper installation.</li> </ul>	<ul style="list-style-type: none"> <li>• Tilt air conditioner slightly to the outside to allow water drainage. Refer to installation instructions — check with installer.</li> </ul>
<b>Water dripping outside when unit is cooling</b>	<ul style="list-style-type: none"> <li>• Unit removing large quantity of moisture from humid room.</li> </ul>	<ul style="list-style-type: none"> <li>• This is normal during excessively humid days.</li> </ul>

## How to Obtain Warranty Service or Parts

**Note:** Before calling for service, carefully read this *Installation and Operations manual*.

### For Models Installed in North America :

First make the recommended checks in the Troubleshooting guide. Then, if you still need assistance:

1. Call a CareCo authorized servicer and advise them of model number, serial number, date of purchase and nature of complaint. Service will be provided during normal working hours. Contact your dealer for the name of an authorized servicer, if unknown to you.
2. If your dealer is unable to give you the name of a servicer or if you need other assistance, contact CareCo for the name of an authorized servicer by calling the following toll-free number:

**1-800-332-6658**

or you may write:

**CareCo, Service Department  
415 W. Wabash Ave., P.O. Box 200  
Effingham, IL 62401**

### For Models Installed Outside North America :

For room air conditioners purchased for use outside North America, the manufacturer does not extend any warranty either expressed or implied. Consult your local dealer for any warranty terms extended by the importer in your country.

### Proof of Purchase Date

It is the responsibility of the consumer to establish the original purchase date for warranty purposes. We recommend that a bill of sale, cancelled check, or some other appropriate payment record be kept for that purpose.

*Proper use and care of your air conditioner will help ensure longer life of the unit. It is recommended to annually inspect and clean the coils and condensate water passages. Expense of annual inspection is the consumer's responsibility.*