

This Owner's Manual is provided and hosted by [Appliance Factory Parts](#).



# COMFORT-AIRE RSG1318-1A Owner's Manual

[Shop genuine replacement parts for COMFORT-AIRE  
RSG1318-1A](#)



[Find Your COMFORT-AIRE Air Conditioner Parts - Select From 599 Models](#)

----- Manual continues below -----



# RSG13

Parts List  
04-March-2009



*This parts list is current as of the above revision date.*

Form Number: 92-42810-RSG13

# Table of Contents

Model Explanation .....	Page 3
Parts Numbers	
Panels - Miscellaneous .....	Page 4
Electrical-Fan Group .....	Page 5
Coil Parts B .....	Page 5
Electrical-Fan Group .....	Page 6
Coil Parts .....	Page 6
Compressor Group .....	Page 7
Accessories .....	Page 8
Drawings/Photographs	
Exploded View .....	Page 9
Control Box .....	Page 10
Valve Mounting Detail .....	Page 11
Notes .....	Page 12

**MODEL NUMBER EXPLANATION**

<b>R</b>	<b>S</b>	<b>G</b>	<b>1</b>	<b>3</b>	<b>1</b>	<b>8</b>	<b>-</b>	<b>1</b>	<b>A</b>
<b>1</b>				<b>2</b>		<b>3</b>			

- (1) **SERIES**
- (2) **COOLING CAPACITY (BTU/HR)**  
 18= 18,000  
 24= 24,000  
 30= 30,000  
 36= 36,000  
 42= 42,000  
 48= 48,000  
 60= 60,000
- (3) **OPTIONS**

**SERIAL NUMBER EXPLANATION**

<b>7</b>	<b>0</b>	<b>9</b>	<b>2</b>	<b>M</b>	<b>0</b>	<b>7</b>	<b>0</b>	<b>1</b>	<b>9</b>	<b>9</b>	<b>9</b>	<b>9</b>	<b>9</b>
<b>1</b>				<b>2</b>	<b>3</b>		<b>4</b>		<b>5</b>				

- (1) **COMPRESSOR IDENTIFICATION NUMBER**
- (2) **PRODUCTION LOCATION**
- (3) **WEEK OF PRODUCTION**
- (4) **YEAR OF PRODUCTION**
- (5) **PRODUCTION NUMBER**

No.	Notes	MODEL COOLING CAPACITY VARIATION	RSG13 18 1A	RSG13 24 1A	RSG13 30 1A	RSG13 36 1A
<b>SHEET METAL PARTS, MISCELLANEOUS</b>						
1		Cabinet	AE-100726-31	AE-100726-31	AE-100726-32	AE-100726-33
2		Cabinet Panel	AE-100727-31	AE-100727-31	AE-100727-32	AE-100727-33
3		Base Pan	AE-100069-01	AE-100069-01	AE-100069-02	AE-101588-03
4		Control Box	AE-100654-31	AE-100654-31	AE-100654-31	AE-100654-31
5		Control Box Cover	AE-100657-31	AE-100657-31	AE-100657-31	AE-100657-31
6		Top Panel	AE-100652-01	AE-100652-01	AE-100652-02	AE-100652-03
8		Grille	95-100906-01	95-100906-01	95-100906-03	95-100906-04
12		Valve Mounting Panel	AE-57780-01	AE-57780-01	AE-57780-01	AE-57780-01
14		Service Valve - Suction	See Coil Group			
15		Service Valve - Liquid	See Coil Group			
17		Low Voltage Cover	AE-57756-01	AE-57756-01	AE-57756-01	AE-57756-01
		Touch-up Paint - Dark Gray (Aerosol)	523009	523009	523009	523009
		Touch-up Paint - Dark Gray (Paint Pens)	523011	523011	523011	523011
		Touch-up Paint - Light Gray (Aerosol)	523014	523014	523014	523014
		Touch-up Paint - Light Gray (Paint Pens)	523015	523015	523015	523015

No.	Notes	MODEL COOLING CAPACITY VARIATION	RSG13 42 1A	RSG13 48 1A	RSG13 60 1A	
<b>SHEET METAL PARTS, MISCELLANEOUS</b>						
1		Cabinet	AE-100726-33	AE-100726-33	AE-100726-33	
2		Cabinet Panel	AE-100727-33	AE-100727-33	AE-100727-33	
3		Base Pan	AE-101588-03	AE-101588-03	AE-101588-03	
4		Control Box	AE-100654-32	AE-100654-34	AE-100654-34	
5		Control Box Cover	AE-100657-31	AE-100657-31	AE-100657-31	
6		Top Panel -	AE-100652-03	AE-100652-03	AE-100652-03	
8		Grille	95-100906-04	95-100906-04	95-100906-04	
12		Valve Mounting Panel	AE-57780-01	AE-100185-31	AE-100185-31	
14		Service Valve - Suction	See Coil Group			
15		Service Valve - Liquid	See Coil Group			
17		Low Voltage Cover	AE-57756-01	AE-57756-01	AE-57756-01	
		Touch-up Paint - Dark Gray (Aerosol)	523009	523009	523009	
		Touch-up Paint - Dark Gray (Paint Pens)	523011	523011	523011	
		Touch-up Paint - Light Gray (Aerosol)	523014	523014	523014	
		Touch-up Paint - Light Gray (Paint Pens)	523015	523015	523015	

No.	Notes	MODEL COOLING CAPACITY VARIATION	RSG13	RSG13	RSG13	RSG13
			18 1A	24 1A	30 1A	36 1A
<b>ELECTRICAL/FAN GROUP</b>						
7	Stk	Fan Motor	51-102008-04	51-102008-04	51-101774-02	51-101774-02
9	Stk	Fan Blade	70-102033-05	70-102033-05	70-102033-02	70-102011-03
16	Stk	Contactora	42-102851-01	42-102851-01	42-102851-01	42-102851-01
17		Low Voltage Cover	See Panels - Miscellaneous			
18		Control Box Bottom	AE-100655-01	AE-100655-01	AE-100655-01	AE-100655-01
19		Capacitor - Compressor/Fan	See Compressor Group			

No.	Notes	MODEL COOLING CAPACITY VARIATION	RSG13	RSG13	RSG13	
			42 1A	48 1A	60 1A	
<b>ELECTRICAL/FAN GROUP</b>						
7	Stk	Fan Motor	51-102008-07	51-102008-07	51-102008-07	
9	Stk	Fan Blade	70-102011-10	70-102011-10	70-102011-10	
16	Stk	Contactora	42-102851-01	42-102851-01	42-102851-03	
17		Low Voltage Cover	See Panels - Miscellaneous			
18		Control Box Bottom	AE-100655-01	AE-100655-01	AE-100655-01	
19		Capacitor - Compressor/Fan	See Compressor Group			

No.	Notes	MODEL COOLING CAPACITY VARIATION	RSG13	RSG13	RSG13	RSG13
			18 1A	24 1A	30 1A	36 1A
<b>COIL GROUP</b>						
11	Stk	Condenser Coil	AS-101759-03	AS-101759-03	AS-101844-03	AS-101761-03
13		Valve Mounting Bracket	AE-57781-01	AE-57781-01	AE-57781-01	AE-57781-02
14		Service Valve - Suction	61-21368-07	61-21368-07	61-21368-07	61-21368-22
15		Service Valve - Liquid	61-21368-05	61-21368-05	61-21368-05	61-21368-05
		Filter Drier	83-22755-12	83-22755-12	83-22755-12	83-22755-12

No.	Notes	MODEL COOLING CAPACITY VARIATION	RSG13	RSG13	RSG13	
			42 1A	48 1A	60 1A	
<b>COIL GROUP</b>						
11	Stk	Condenser Coil	AS-101761-03	AS-102241-03	AS-101763-03	
13		Valve Mounting Bracket	AE-57781-02	AE-57781-02	AE-57781-02	
14		Service Valve - Suction	N/A	61-21368-08	61-21368-08	
14		Service Valve - Suction (Compressor ID 7669)	61-21368-08	N/A	N/A	
14		Service Valve - Suction (Compressor ID 7685)	61-21368-22	N/A	N/A	
15		Service Valve - Liquid	61-21368-05	61-21368-05	61-21368-05	
		Filter Drier	83-22755-12	83-22755-12	83-22755-12	

No.	Notes	MODEL COOLING CAPACITY VARIATION	RSG13	RSG13	RSG13	RSG13
			18 1A	24 1A	30 1A	36 1A
<b>ELECTRICAL/FAN GROUP</b>						
7	Stk	Fan Motor	51-102008-04	51-102008-04	51-101774-02	51-101774-02
9	Stk	Fan Blade	70-102033-05	70-102033-05	70-102033-02	70-102011-03
16	Stk	Contactora	42-42478-03	42-42478-03	42-42478-03	42-42478-03
17		Low Voltage Cover	See Panels - Miscellaneous			
18		Control Box Bottom	AE-100655-01	AE-100655-01	AE-100655-01	AE-100655-01
19		Capacitor - Compressor/Fan	See Compressor Group			

No.	Notes	MODEL COOLING CAPACITY VARIATION	RSG13	RSG13	RSG13	
			42 1A	48 1A	60 1A	
<b>ELECTRICAL/FAN GROUP</b>						
7	Stk	Fan Motor	51-102008-03	51-102008-03	51-102008-03	
9	Stk	Fan Blade	70-102011-10	70-102011-10	70-102011-10	
16	Stk	Contactora	42-42478-03	42-42478-03	42-42478-02	
17		Low Voltage Cover	See Panels - Miscellaneous			
18		Control Box Bottom	AE-100655-01	AE-100655-01	AE-100655-01	
19		Capacitor - Compressor/Fan	See Compressor Group			

No.	Notes	MODEL COOLING CAPACITY VARIATION	RSG13	RSG13	RSG13	RSG13
			18 1A	24 1A	30 1A	36 1A
<b>COIL GROUP</b>						
11	Stk	Condenser Coil	AS-101759-03	AS-101759-03	AS-101844-03	AS-101761-03
13		Valve Mounting Bracket	AE-57781-01	AE-57781-01	AE-57781-01	AE-57781-02
14		Service Valve - Suction	61-21368-07	61-21368-07	61-21368-07	61-21368-22
15		Service Valve - Liquid	61-21368-05	61-21368-05	61-21368-05	61-21368-05
		Filter Drier	83-26186-02	83-26186-02	83-26186-02	83-26186-02

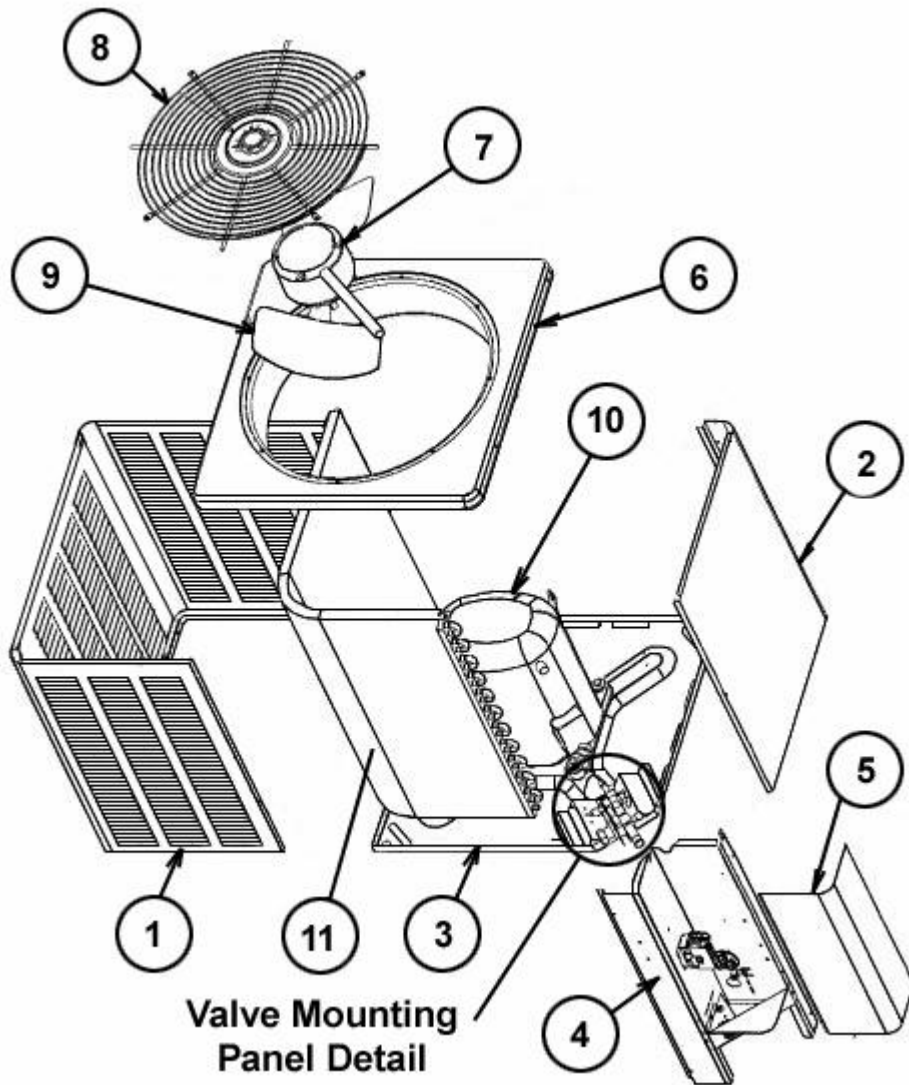
No.	Notes	MODEL COOLING CAPACITY VARIATION	RSG13	RSG13	RSG13	
			42 1A	48 1A	60 1A	
<b>COIL GROUP</b>						
11	Stk	Condenser Coil	AS-101761-03	AS-102241-03	AS-101763-03	
13		Valve Mounting Bracket	AE-57781-02	AE-57781-02	AE-57781-02	
14		Service Valve - Suction	N/A	61-21368-08	61-21368-08	
14		Service Valve - Suction (Compressor ID 7669)	61-21368-08	N/A	N/A	
14		Service Valve - Suction (Compressor ID 7685)	61-21368-22	N/A	N/A	
15		Service Valve - Liquid	61-21368-05	61-21368-05	61-21368-05	
		Filter Drier	83-26186-02	83-26186-02	83-26186-02	

No.	Notes	MODEL COOLING CAPACITY VARIATION	RSG13 18 1A	RSG13 24 1A	RSG13 30 1A	RSG13 36 1A
<b>COMPRESSOR GROUP</b>						
		<b>Compressor ID:</b>	<b>7665</b>	<b>7666</b>	<b>7667</b>	<b>7668</b>
10	Stk	Compressor	55-102045-14S	55-102045-01S	55-102045-02S	55-102045-03S
19	Stk	Capacitor - Compressor/Fan	43-26261-40	43-26261-09	43-26261-09	43-26261-41
		Compressor Wiring Harness (Molded Plug)	45-100834-80	45-100834-80	45-100834-80	45-100834-80
		<b>Compressor ID:</b>			<b>7672</b>	<b>7673</b>
10	Stk	Compressor			55-101545-25S	55-102282-07S
19	Stk	Capacitor - Compressor/Fan			43-26261-44	43-26261-41

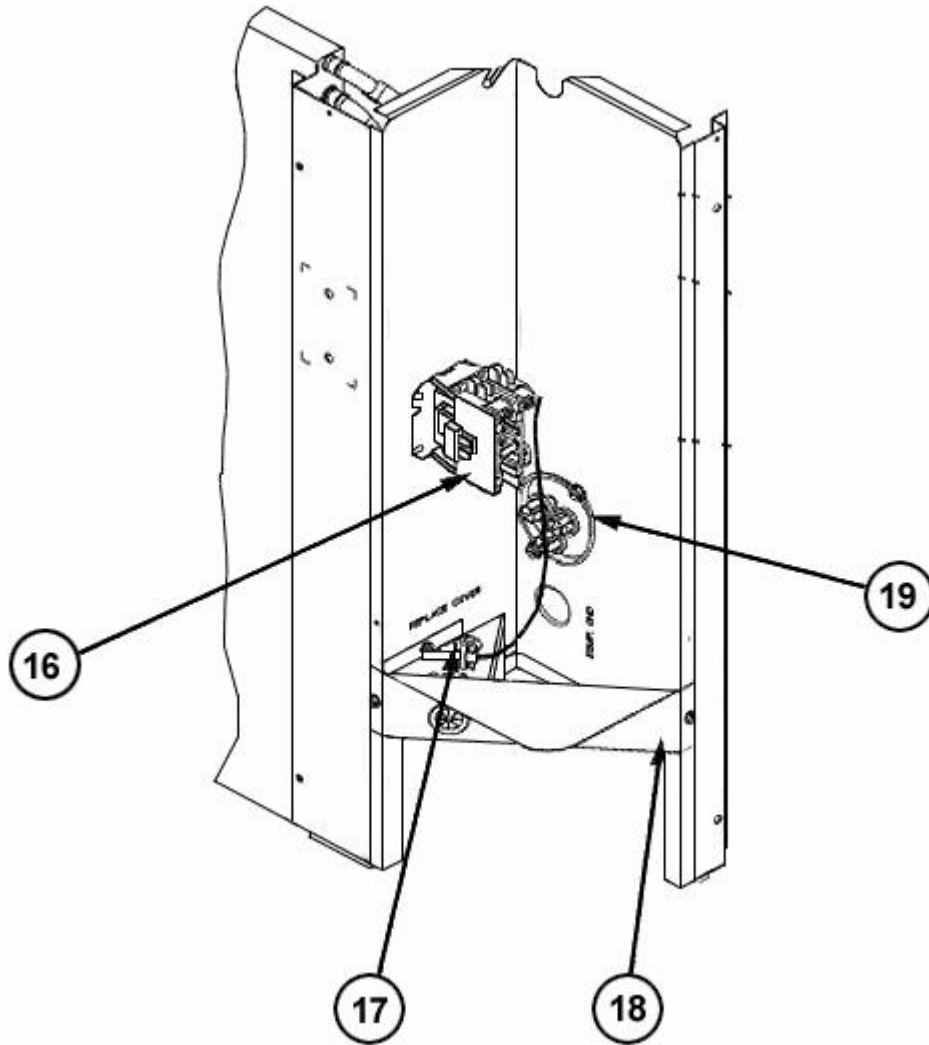
No.	Notes	MODEL COOLING CAPACITY VARIATION	RSG13 42 1A	RSG13 48 1A	RSG13 60 1A	
<b>COMPRESSOR GROUP</b>						
		<b>Compressor ID:</b>	<b>7685</b>	<b>7674</b>	<b>7671</b>	
10	Stk	Compressor	55-102282-05S	55-102282-03S	55-102045-26S	
19	Stk	Capacitor - Compressor/Fan	43-26261-38	43-26261-39	43-26261-47	
		Compressor Wiring Harness (Molded Plug)	N/A	N/A	45-100834-80	
		<b>Compressor ID:</b>	<b>7669</b>	<b>7670</b>		
10	Stk	Compressor	55-102045-12S	55-102045-09S		
19	Stk	Capacitor - Compressor/Fan	43-26261-48	43-26261-47		
		Compressor Wiring Harness (Molded Plug)	45-100834-80	45-100834-80		



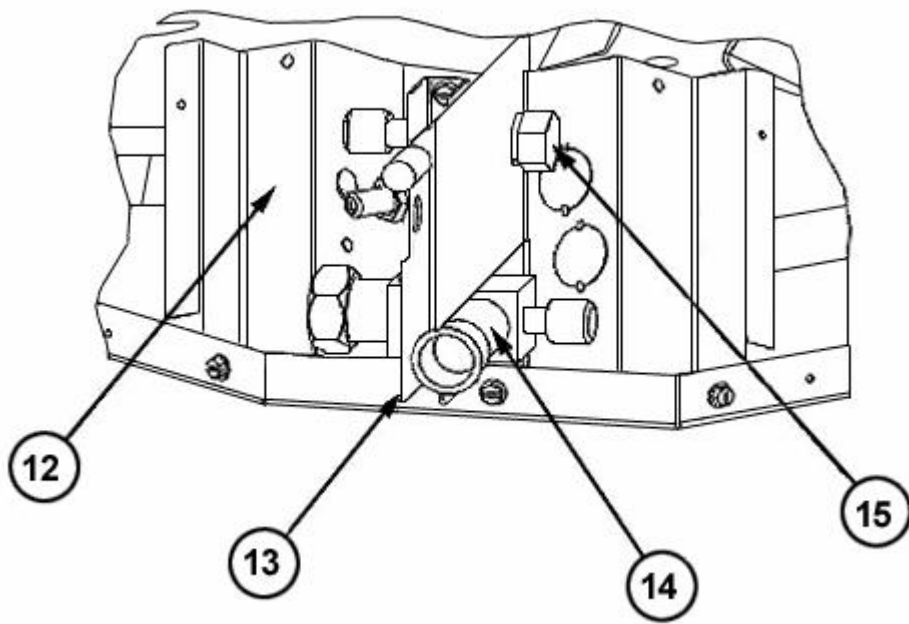
No.	Notes	MODEL COOLING CAPACITY VARIATION	RSG13 ALL ALL
<b>ACCESORIES</b>			
		Low Ambient Control	RXAD-A08
		Compressor Time Delay Control	RXMD-B01
		High Pressure Control	RXAB-A07
		Low Pressure Control	RXAC-A07



Exploded View



Control Box



Valve Mounting Detail

# NOTES

Stk It is recommended that stock be maintained for this part.  
N/A Not Applicable