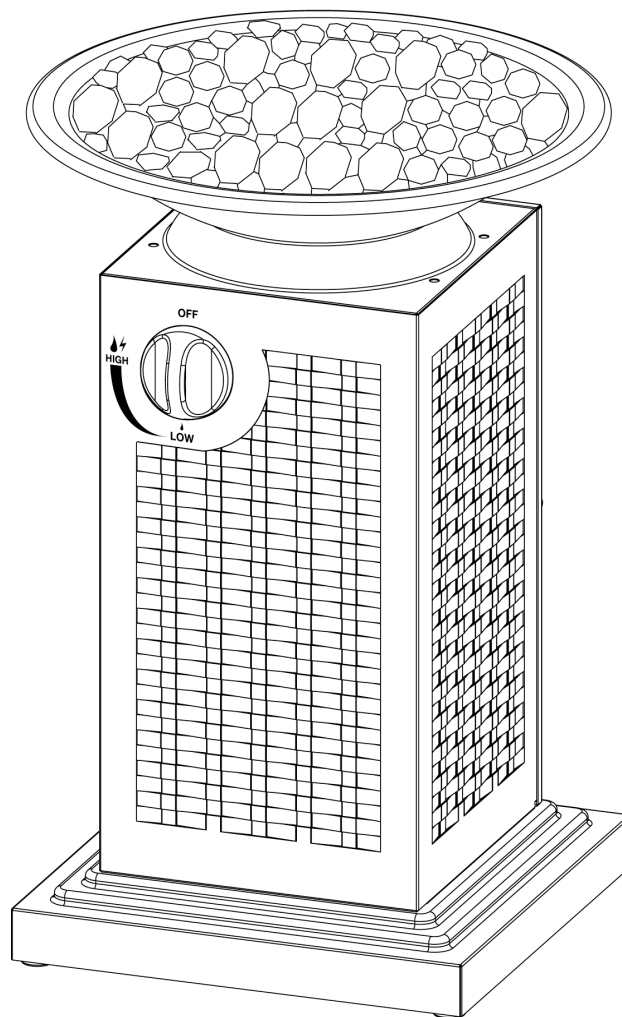


# OWNER'S MANUAL

## LP Gas Outdoor Fire Bowl

Model No. GLT905W



 <b>DANGER</b>	<b>CARBON MONOXIDE HAZARD</b>
	<ul style="list-style-type: none"> <li>• This appliance can produce carbon monoxide which has no odor.</li> <li>• Using it in an enclosed space can kill you.</li> <li>• Never use this appliance in an enclosed space such as a camper, tent, car or home.</li> </ul>

 <b>WARNING</b> <b>FOR YOUR SAFETY:</b>
<p>For Outdoor Use Only (outside any enclosure)          Do Not Use For Cooking.</p>

 <b>WARNING</b> <b>FOR YOUR SAFETY:</b>
<ul style="list-style-type: none"> <li>▲ If the information in this manual is not followed exactly, a fire or explosion may result causing property damage, personal injury or loss of life.</li> <li>▲ Do not store or use gasoline or other flammable vapors and liquids in the vicinity of this or any other appliance.</li> <li>▲ <b>WHAT TO DO IF YOU SMELL GAS:</b> <ul style="list-style-type: none"> <li>• Do not try lighting any appliance.</li> <li>• Do not touch any electrical switch; do not use any phone in your building.</li> <li>• Immediately call your gas supplier from a neighbor's phone.</li> <li>• Follow the gas supplier's instructions.</li> <li>• If you cannot reach your gas supplier, call the fire department.</li> </ul> </li> <li>▲ Installation and service must be performed by a qualified installer, service agency or gas supplier.</li> <li>▲ Improper installation, adjustment, alteration, service or maintenance can cause injury or property damage.</li> <li>▲ Read the installation, operation, and maintenance instructions thoroughly before installing or servicing this equipment.</li> <li>▲ Save these instructions for future reference. If you are assembling this unit for someone else, give this manual to him or her to read and save for future reference.</li> </ul>

Table of Contents	
Dangers and Warnings . . . . .	Page 2
Exploded View . . . . .	3
Assembly Instructions . . . . .	4
Installing LP Gas Tank . . . . .	4
Insert and Secure LP Gas Tank . . . . .	4
Disconnect LP Gas Tank . . . . .	4
Operating Instructions . . . . .	5
Lighting . . . . .	5
Turning Off . . . . .	5
Cleaning and Care . . . . .	5
Inspecting . . . . .	5
Cleaning . . . . .	5
Storing . . . . .	5
Product Registration . . . . .	5
Limited Warranty . . . . .	6
Troubleshooting . . . . .	6
<p>The use and installation of this product must conform to local codes. In absence of local codes, use the latest edition of the <i>National Fuel Gas Code, ANSI Z223.1/NFPA 54, CAN/CGA-B149.1, Natural Gas and Propane Installation Code.</i></p> <p>For installation in Canada - these instructions, while generally acceptable do not necessarily comply with the Canadian installation codes, particularly with piping above and below ground. In Canada the installation of this appliance must comply with local codes and/or standard CAN/CGA B149.1 (installation code for propane burning appliances and equipment).</p> <p>California Proposition 65: Chemicals known to the State of California to cause cancer, birth defects, or other reproductive harm are created by the combustion of propane.</p>	

Made from 70% Bagasse  
(Environmentally Friendly Sugar  
Cane Pulp By-product)

DESIGN  
CERTIFIED

CERTIFIED

Manufactured in China for:  
 Blue Rhino Global Sourcing, Inc.  
 Winston-Salem, NC USA  
 1.800.762.1142, www.bluerhino.com

© 2008 Blue Rhino Global Sourcing, Inc.. All Rights Reserved

## DANGERS and WARNINGS: FOR YOUR SAFETY

**⚠ DANGER:** Failure to follow the dangers, warning and cautions in this manual may result in serious bodily injury or death, or in a fire or an explosion causing damage to property.

### ⚠ WARNING:

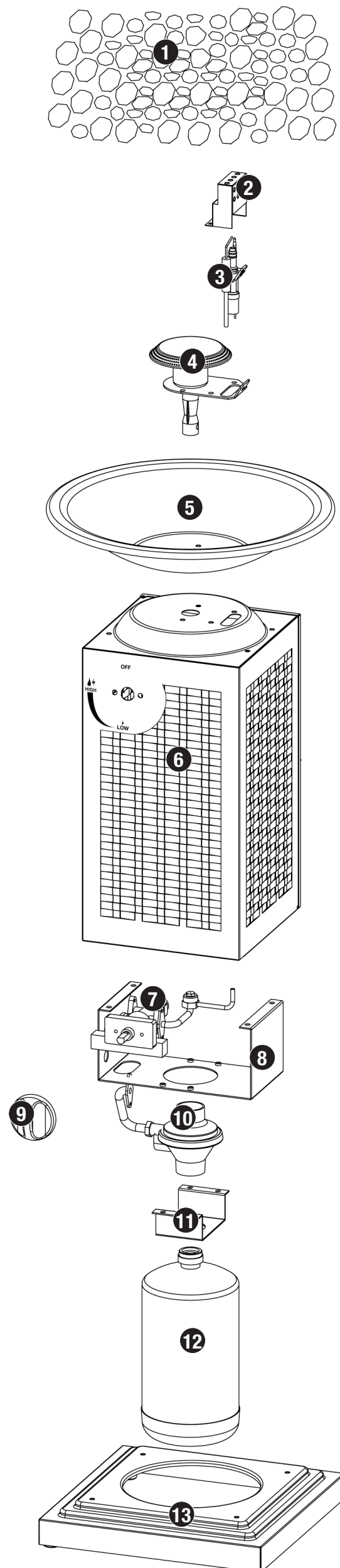
- ⚠ This appliance is for outdoor use only, and shall NOT be used in a building, garage, or any other enclosed area.
- ⚠ Always maintain at least 72" clearance (top) and 24" clearance (side) from combustible materials.
- ⚠ Do NOT use this outdoor fire bowl for indoor heating. TOXIC carbon monoxide fumes can accumulate and cause asphyxiation.
- ⚠ This outdoor fire bowl is NOT for commercial use.
- ⚠ This outdoor fire bowl is for use with liquid propane (LP) gas only. The conversion to or attempted use of natural gas in this outdoor fire bowl is dangerous and will void your warranty.
- ⚠ LP gas Characteristics:
  - a. LP gas is flammable and hazardous if handled improperly. Become aware of the characteristics before using any LP gas product.
  - b. LP gas is explosive under pressure, heavier than air, and settles and pools in low areas.
  - c. LP gas in its natural state has no odor. For your safety, an odorant is added that smells like rotten cabbage.
  - d. Contact with LP gas can cause freeze burns to skin.
- ⚠ LP gas tank needed to operate. Only tanks marked "propane" may be used.
  - a. The LP gas supply tank must be constructed and marked in accordance with the *Specifications for LP gas LP gas tanks of the U.S. Department of Transportation (DOT) or the National Standard of Canada, CAN/CSA-B339, LP gas tanks, Spheres and Tubes for the Transportation of Dangerous Goods; and Commission.*
  - b. LP gas tank must be arranged for vapor withdrawal.
  - c. The LP gas tank must have a listed overfilling prevention device (OPD) and a QCCI or Type I (CGA810) LP gas tank connection.
  - d. Only use 16.4 ounce propane tank equipped with a tank connection device compatible with the connection for outdoor heater appliances.
  - e. The LP gas tank must have a tank collar to protect the tank valve.
  - f. Never use an LP gas tank with a damaged body, valve, collar, or footing.
  - g. Dented or rusted LP gas tanks may be hazardous and should be checked by your LP gas supplier prior to use.
  - h. The LP gas tank should not be dropped or handled roughly.
  - i. Tanks must be stored outdoors out of the reach of children and must not be stored in a building, garage, or any other enclosed area. Your LP gas tank must never be stored where temperatures can reach over 125°F.
  - j. Never keep a filled LP gas tank in a hot car or car trunk. Heat will cause the gas pressure to increase, which may open the relief valve and allow gas to escape.
  - k. Place dust cap on valve outlet whenever the LP gas tank is not in use. Only install the type of dust cap on the LP gas tank valve outlet that is provided with the LP gas tank valve. Other types of caps or plugs may result in leakage of propane.
  - l. Do not store a spare LP gas tank under or near this appliance.
  - m. Never fill the tank beyond 80 percent full.
- ⚠ Your outdoor fire bowl has been checked at all factory connections for leaks. Recheck all connections, as movement in shipping can loosen connections.
- ⚠ Check for leaks even if your unit was assembled for you by someone else.
- ⚠ Do not operate if gas leak is present. Gas leaks may cause a fire or explosion.
- ⚠ You must follow all leak-checking procedures before operating. To prevent fire or explosion hazard when testing for a leak:
  - a. Always perform leak test before lighting the outdoor fire bowl and each time the tank is connected for use.
  - b. No smoking. Do not use or permit sources of ignition in the area while conducting a leak test.
  - c. Conduct the leak test outdoors in a well-ventilated area.
  - d. Do not use matches, lighters, or a flame to check for leaks.
  - e. Do not use outdoor fire bowl until any and all leaks are corrected. If you are unable to stop a leak, disconnect the LP gas supply. Call a gas appliance serviceman or your local LP gas supplier.
- ⚠ Do not store or use gasoline or other flammable liquids or vapors within 25 feet (7.62 m) of this appliance.
- ⚠ Do not use in an explosive atmosphere. Keep outdoor fire bowl area clear and free from combustible materials, gasoline and other flammable vapors and liquids.
- ⚠ This outdoor fire bowl is NOT to be operated by children.
- ⚠ This outdoor fire bowl is NOT to be used in or on boats or recreational vehicles.
- ⚠ Always use in accordance with all applicable local, state and national codes. Contact your local fire department for details on outdoor burning.
- ⚠ When using this outdoor fire bowl, exercise the same precautions you would with any open fire.
- ⚠ The use of alcohol, prescription or non-prescription drugs may impair the consumer's ability to properly assemble or safely operate this outdoor fire bowl.
- ⚠ Do NOT use this outdoor fire bowl without reading the entire "Owner's Manual".
- ⚠ Do NOT burn solid fuels such as: wood, charcoal briquets, lump charcoal, manufactured logs, driftwood, trash, leaves, paper, cardboard, plywood, painted or stained or pressure treated wood in this outdoor fire bowl.
- ⚠ It is essential to keep the outdoor fire bowl's valve compartment, burners, and circulating air passages clean. Inspect outdoor fire bowl before each use.
- ⚠ Do NOT alter this outdoor fire bowl in any manner.
- ⚠ Do NOT use this outdoor fire bowl until it is COMPLETELY assembled and all parts are securely fastened and tightened.
- ⚠ Do NOT store another LP gas LP gas tank within 10 feet (3.05 m) of this outdoor fire bowl while it is in operation.
- ⚠ Do NOT use this outdoor fire bowl near automobiles, trucks, vans or recreational vehicles.
- ⚠ Do NOT use this outdoor fire bowl under any overhead or near any unprotected combustible constructions. Avoid using near or under overhanging trees and shrubs.
- ⚠ Always use this outdoor fire bowl on a hard, level non-combustible surface such a concrete, rock or stone. An asphalt or blacktop surface may not be acceptable for this purpose.
- ⚠ Do NOT use this outdoor fire bowl for cooking.
- ⚠ Do NOT use this outdoor fire bowl if any part has been under water. Immediately call a qualified service technician to inspect the appliance and to replace any part or control system and any gas control which has been under water.
- ⚠ Do NOT wear flammable or loose clothing when operating this outdoor fire bowl.
- ⚠ Do NOT use in windy conditions.
- ⚠ Do NOT use this outdoor fire bowl unless burner and lava rocks are securely in place.
- ⚠ Keep all electrical cords away from a hot outdoor fire bowl.
- ⚠ Certain areas of this outdoor fire bowl when in use will become too hot to touch. To avoid burns, do not touch hot surfaces until the unit has cooled unless you are wearing protective gear (insulated pot holder or heat resistant gloves or mittens).
- ⚠ Do NOT leave a lit outdoor fire bowl unattended, especially around children and pets.
- ⚠ Do NOT attempt to move, change LP gas tank, or store this outdoor fire bowl until all parts are cool.
- ⚠ Do NOT lean over this outdoor fire bowl when lighting or when in use.
- ⚠ This outdoor fire bowl should be thoroughly cleaned and inspected on a regular basis. Clean and inspect the hose before each use of the appliance. If there is evidence of abrasion, wear, cuts, or leaks, the hose must be replaced prior to the appliance being put into operation.
- ⚠ Use only the regulator and hose assembly provided. The replacement regulator and hose assembly shall be that specified by the manufacturer.
- ⚠ Use only Blue Rhino Global Sourcing, Inc. factory authorized parts. The use of any part that is NOT factory authorized can be dangerous and will void your warranty.
- ⚠ Storage of this outdoor fire bowl indoors is permissible only if the tank is disconnected, removed from the outdoor fire bowl and properly stored outdoors.
- ⚠ Do not attempt to disconnect the gas regulator from the tank or any gas fitting while the outdoor fire bowl is in use.
- ⚠ If the outdoor fire bowl is not in use, the gas must be turned off at the supply tank.
- ⚠ The pressure regulator is set for 10.5 inches of water column (pressure).
- ⚠ The maximum inlet gas pressure for this outdoor fire bowl is 13 inches of water column pressure.
- ⚠ Do not throw anything onto the fire when the unit is in operation.
- ⚠ Lava rockas are very hot, please keep the children or pets away at a safe distance.
- ⚠ Use protective gloves when assembling this product.
- ⚠ Do not force parts together as this can result in personal injury or damage of product.
- ⚠ Do NOT store any combustible materials in the base.

## Parts List

<b>1</b>	Lava Rock	55-05-833
<b>2</b>	Pilot Cover*	55-05-834
<b>3</b>	Pilot*	55-05-835
<b>4</b>	Burner*	55-05-836
<b>5</b>	Bowl*	55-05-837
<b>6</b>	Body*	55-05-838
<b>7</b>	Valve Assembly*	55-05-839
<b>8</b>	Valve Bracket*	55-05-840
<b>9</b>	Control Knob*	55-05-841
<b>10</b>	Regulator*	55-05-842
<b>11</b>	Regulator Bracket*	55-05-843
<b>12</b>	16.4 oz LP Gas Tank (NOT Included)	
<b>13</b>	Base*	55-05-845
<b>14</b>	Cover (Not Shown)	55-05-846

\* Pre-assembled

## Exploded View



## Assembly Instructions

1

### DO NOT RETURN PRODUCT TO STORE.

For assistance call **1.800.762.1142** toll free. Please have your owner's manual and serial number available for reference.

For Easiest Assembly:

- To avoid losing any small components or hardware, assemble your product on a hard level surface that does not have cracks or openings.
- Clear an area large enough to layout all components and hardware.
- When applicable, tighten all hardware connections by hand first. Once the step is completed go back and fully tighten all hardware.
- Follow all steps in order to properly assemble your product.

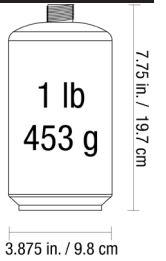
To complete assembly you will need:

- (1) Leak Detection Solution (Instructions on how to make solution are included in Operating Instructions)

*Note:* You must follow all steps to properly assemble outdoor fire bowl.

## Installing LP Gas Tank

To operate you will need (1) 16.4 oz LP gas tank.

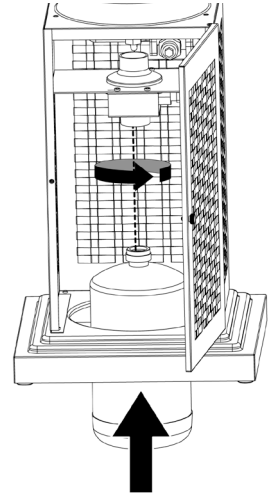


### Insert and Secure (1) 16.4 oz LP Gas Tank

Only cylinders marked "propane" may be used.

Note: Some 1-lb cylinders may form frost when near empty.

Line up threads on canister with those on regulator, insert and rotate canister clockwise until they fit snugly together. **HAND TIGHTEN ONLY.** Be careful not to cross threads when screwing in canister.

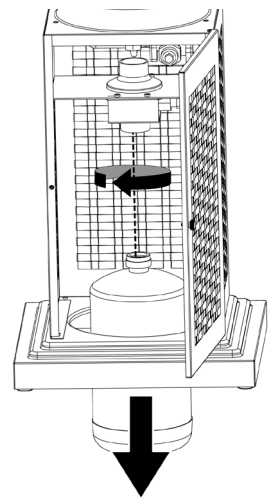


### Disconnect (1) 16.4 oz LP Gas Tank

Before disconnecting make sure the heater control valve is "OFF".

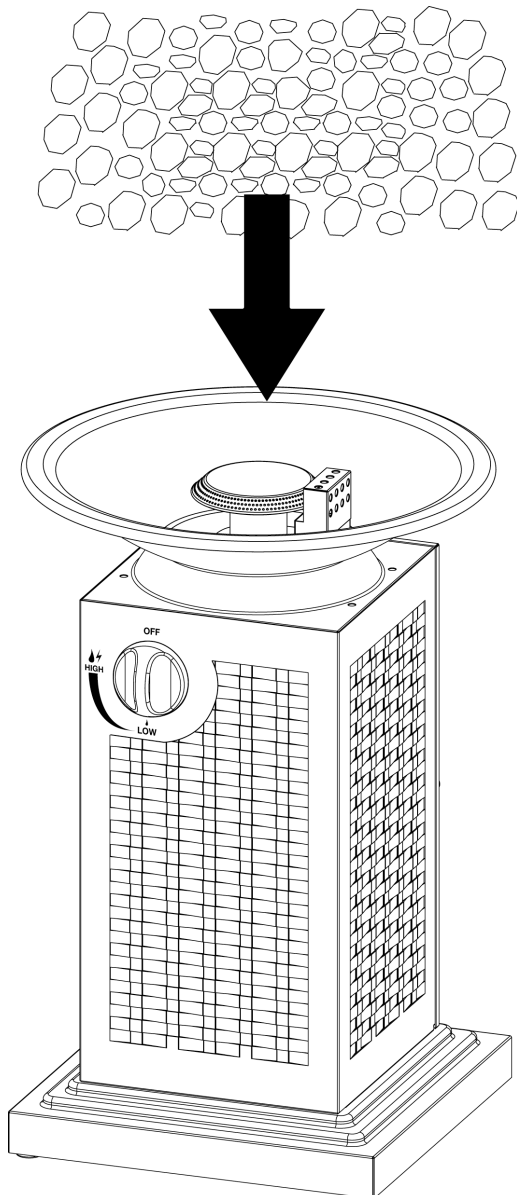
Rotate LP gas tank counterclockwise until it is loose.

Store the LP gas tank in a proper location.



2

## Insert Lava Rocks





## Operating Instructions

### Checking for Leaks

**▲ WARNING: Before using this outdoor fire bowl, make sure you have read, understand and are following all information provided in the Dangers and Warnings presented on page 2. Failure to follow those instructions can cause death, serious injury or property damage.**

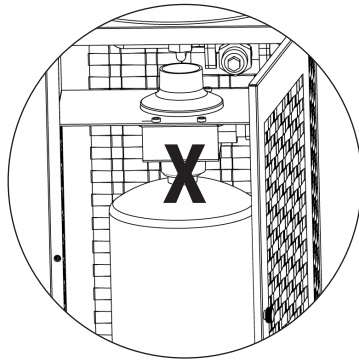
#### Burner Connections

1. Make sure the regulator valve and hose connections are securely fastened to the burner and the tank.  
Note: If your unit was assembled for you, visually check the connection between the burner pipe and orifice. Make sure the burner pipe fits over the orifice.

**▲ WARNING: Failure to inspect this connection or follow these instructions could cause a fire or an explosion which can cause death, serious bodily injury, or damage to property.**

2. Please refer to diagram for proper installation.
3. If the burner pipe does not rest flush to the orifice, please contact 1.800.762.1142 for assistance.

Illustration 1



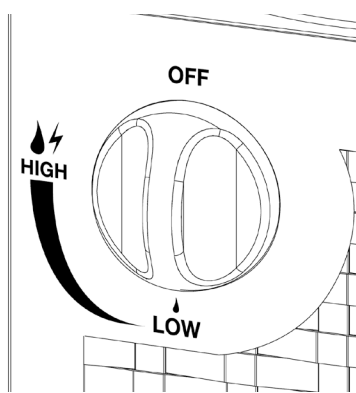
#### Tank/Gas Line Connection

1. Make 2-3 oz. of leak solution by mixing one part liquid dishwashing soap with three parts water.
2. Make sure control knob is "OFF". (Illustration 2)
3. Attach and secure (1) 16.4 oz LP gas tank.
4. Spoon leak check solution at all "x" locations. (Illustration 1)

If any bubbles appear turn LP gas tank OFF, reconnect LP gas tank and re-test. If you continue to see bubbles after several attempts, turn control knob to "OFF" position, disconnect LP gas tank and contact 1.800.762.1142 for assistance.

If no bubbles appear after one minute turn control knob to "OFF" position, wipe away solution and proceed.

Illustration 2



### Lighting

1. Make sure there are no obstructions of airflow to the gas unit. Spiders and insects can nest within and clog the burner / venturi tube at the orifice. A clogged burner tube can lead to a fire beneath the appliance.
2. Turn control knob to "OFF" position. (Illustration 2)
3. Attach LP gas tank.
4. To light burner, push control knob in and rotate to "HIGH". (Illustration 2)
5. If ignition does not occur in 5 seconds, turn burner control knob "OFF", wait 5 minutes, fan with newspaper or magazine, and repeat lighting procedure.
6. If igniter does not light burner, use a long match or long butane lighter. (Illustration 3)
  - a. Wearing Heat resistant gloves, position the lit long match or lit long butane lighter near the side of the burner.
  - b. Turn control knob counterclockwise to "HIGH".
  - c. Remove long match/long butane lighter.
7. After lighting, observe the burner flame, make sure the pilot and all burner ports are lit and flame height matches illustration. (Illustration 4 & 5)

Illustration 3

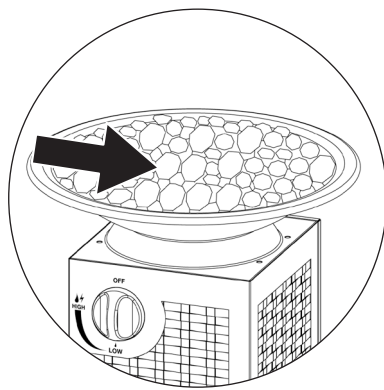


Illustration 4

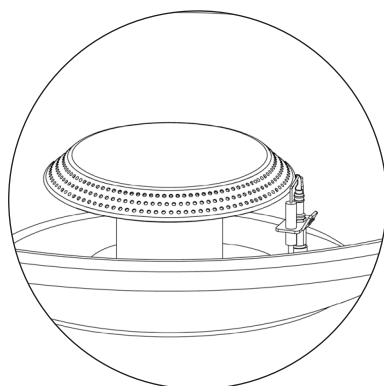
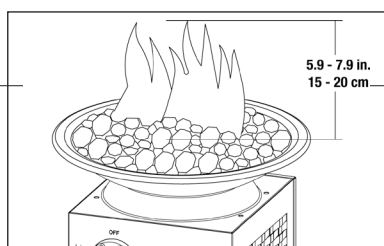


Illustration 5



**▲ CAUTION: If burner flame goes out during operation, immediately turn the gas "OFF" and let the gas clear for about 5 minutes before re-lighting.**

### Turning Off

1. Turn control knob to "OFF".
2. Remove LP gas tank.

## Cleaning and Care

### Inspecting

This outdoor fire bowl should be inspected on a regular basis to ensure product safety and longer product life.

**▲ WARNING: Do NOT attempt to inspect this outdoor fire bowl until the fire is COMPLETELY out.**

1. Check burner to make sure it is secure.
2. Check venturi to make sure it is clear and free of spider nests.
3. Check all gas connections for leaks.
4. Check ignition system to insure proper sparking.
5. Check components for any signs of damage or rust.
6. If damage to any component is detected, do NOT operate until repairs are executed.

### Cleaning

This outdoor fire bowl should be cleaned on a regular basis to promote safer experiences and longer product life.

*Note:* After repeated use, a slight discoloration of the finishes may occur.

**▲ WARNING: Do NOT attempt to clean this outdoor fire bowl unless the fire is COMPLETELY out and unit is cool to the touch.**

**▲ WARNING: Do NOT use oven cleaner or abrasive cleaners as they will damage this product.**

1. Wipe exterior surfaces with a mild dishwashing detergent or baking soda.
2. Rinse clean with water.

### Storage

**▲ WARNING: Do NOT move or store this outdoor fire bowl unless the fire is COMPLETELY out and is cool to the touch.**

1. Turn control knob to "OFF" position. (Illustration 3)
2. Remove tank and store in a cool dry location outdoors away from children.
3. Cover outdoor fire bowl with a durable vinyl cover designed to fit this unit.
4. Store in a cool and dry location away from children and pets.

## Product Registration

For faster warranty service, please register your product immediately at [www.bluerhino.com](http://www.bluerhino.com) or call 1.800.762.1142.

## Limited Warranty

Blue Rhino Global Sourcing, Inc. ("Vendor") warrants to the original retail purchaser of this product, and to no other person, that if this product is assembled and operated in accordance with the printed instructions accompanying it, then for a period of one (1) year from the date of purchase, all parts in such product shall be free from defects in material and workmanship. Vendor may require reasonable proof of your date of purchase. Therefore, you should retain your sales slip or invoice. This Limited Warranty shall be limited to the repair or replacement of parts, which prove defective under normal use and service and which Vendor shall determine in its reasonable discretion upon examination to be defective. Before returning any parts, you should contact Vendor's Customer Service Department using the contact information listed below. If Vendor confirms, after examination, a defect covered by this Limited Warranty in any returned part, and if Vendor approves the claim, Vendor will replace such defective part without charge. If you return defective parts, transportation charges must be prepaid by you. Vendor will return replacement parts to the original retail purchaser, freight or postage prepaid.

This Limited Warranty does not cover any failures or operating difficulties due to accident, abuse, misuse, alteration, misapplication, improper installation or improper maintenance or service by you or any third party, or failure to perform normal and routine maintenance on the product as set out in this owner's manual. In addition, the Limited Warranty does not cover damage to the finish, such as scratches, dents, discoloration, rust or other weather damage, after purchase.

This Limited Warranty is in lieu of all other express warranties. Vendor disclaims all warranties for products that are purchased from sellers other than authorized retailers or distributors, including the warranty of merchantability or the warranty of fitness for a particular purpose. VENDOR ALSO DISCLAIMS AND ANY ALL IMPLIED WARRANTIES, INCLUDING WITHOUT LIMITATION THE IMPLIED WARRANTIES OF MERCHANTABILITY AND FITNESS FOR A PARTICULAR PURPOSE. VENDOR SHALL NO LIABILITY TO PURCHASER OR ANY THIRD PARTY FOR ANY SPECIAL, INDIRECT, PUNITIVE, INCIDENTAL, OR CONSEQUENTIAL DAMAGES. Vendor further disclaims any implied or express warranty of, and assumes no responsibility for, defects in workmanship caused by third parties.

This Limited Warranty gives the purchaser specific legal rights; a purchaser may have other rights depending upon where he or she lives. Some jurisdictions do not allow the exclusion or limitation of special, incidental or consequential damages, or limitations on how long a warranty lasts, so the above exclusion and limitations may not apply to everyone.

Vendor does not authorize any person or company to assume for it any other obligation or liability in connection with the sale, installation, use, removal, return, or replacement of its equipment, and no such representations are binding on Vendor.

Blue Rhino Global Sourcing, Inc.  
Winston-Salem, North Carolina USA  
(800) 762-1142

## Troubleshooting

<b>Problem</b>	<b>Possible Cause</b>	<b>Prevention/Cure</b>
<b>Burner will not light using igniter</b>	Electrode and burners are wet.	Wipe dry with cloth.
	Electrode cracked or broken - sparks at crack.	Replace electrode.
	Wire loose or disconnected.	Reconnect wire or replace electrode/wire assembly
	Wire is shorting (sparking) between igniter and electrode.	Replace igniter wire/electrode assembly
	Bad igniter.	Replace igniter
<b>Burner will not light with match</b>	No gas flow.	Check if LP gas tank is empty. If LP gas tank is not empty, refer to "Sudden drop in gas flow (reduced flame height)". If empty, replace or refill.
	Coupling nut and regulator not fully connected.	Turning the coupling nut about one-half to three quarters additional turn until solid stop. Tighten by hand only-do not use tools.
	Obstruction of gas flow.	Clear burner tubes. Check for bent or kinked hose.
	Disengagement of burner to valve.	Reengage burner and valve.
	Spider webs or insect nest in venturi.	Clean venturi.
	Burner ports clogged or blocked.	Clean burner ports.
<b>Sudden drop in gas flow or reduced flame height</b>	Out of gas.	Check for gas in the LP gas tank
	Excess flow safety device may have been activated.	Turn control knob to "OFF", wait 30 seconds and light outdoor fire bowl. If flames are still too low reset the excessive flow safety device by turning off knobs and LP gas tank valve. Disconnect regulator. Turn burner control knobs to "HIGH". Wait 1 minute. Turn burner control knob off. Reconnect regulator and leak check connections. Turn LP gas tank valve on slowly, wait 30 seconds and then light outdoor fire bowl.
<b>Irregular flame pattern</b>	Burner ports are clogged or blocked.	Clean burner ports.
<b>Flame blow out</b>	High or gusting winds	Increase flame height to "HIGH" setting
	Low on LP Gas	Replace or refill LP gas tank
	Excess flow valve tripped	Refer to "Sudden drop in gas flow"
<b>Flame seems to lose heat when burning in cold weather - temperature below 50°F</b>	Ice has built up on the outside of the LP gas tank because the vaporization process is too slow.	Turn "OFF" the control knob and the LP gas tank. Replace with a spare LP gas tank and resume burning. Store a spare LP gas tank in a well ventilated area away from children.

**If problems can not be corrected by using these methods, please contact 1.800.762.1142 for assistance.**







**Resolución de problemas**

<b>Problema</b>	<b>Causa posible</b>	<b>Prevención/solución</b>
<b>El quemador no se enciende utilizando el encendedor.</b>	<p>Los electrodos y los quemadores están mojados.</p> <p>Electrodo agrietado o roto; chispas en las grietas.</p> <p>Cable suelto o desconectado.</p> <p>El cable tiene un cortocircuito (chispeo) entre el encendedor y el electrodo.</p> <p>Encendedor defectuoso.</p>	<p>Séquelos con un paño.</p> <p>Sustituya el electrodo.</p> <p>Vuelva a conectar el cable o sustituya el conjunto electrodo/cable.</p> <p>Sustituya el conjunto cable del encendedor/electrodo.</p> <p>Sustituya el encendedor.</p>
<b>El quemador no se enciende con una cerilla.</b>	<p>No hay flujo de gas.</p> <p>La tuerca de acoplamiento no está conectada por completo.</p> <p>Gire la tuerca de acoplamiento entre media vuelta y tres cuartos de vuelta hasta que haga tope con firmeza. Apriete únicamente a mano, sin utilizar ninguna herramienta.</p> <p>Obstrucción del flujo de gas.</p> <p>Limpié los tubos del quemador. Verifique que la manguera no esté torcida o doblada.</p> <p>Vuelva a conectar el quemador y la válvula.</p> <p>Desacoplamiento del quemador a la válvula.</p> <p>Telarañas o nidos de insectos en el venturi.</p> <p>Bocas del quemador atasgadas u obstruidas.</p>	<p>Compruebe si el tanque de propano líquido está vacío. Si el tanque de propano líquido no está vacío, consulte la sección "Caída repentina del flujo de gas" (tamaño de llama insuficiente). Si está vacío, sustitúyalo o vuelva a llenarlo.</p> <p>Gire la tuerca de acoplamiento entre media vuelta y tres cuartos de vuelta hasta que haga tope con firmeza. Apriete únicamente a mano, sin utilizar ninguna herramienta.</p> <p>Obstrucción del flujo de gas.</p> <p>Limpié los tubos del quemador. Verifique que la manguera no esté torcida o doblada.</p> <p>Vuelva a conectar el quemador y la válvula.</p> <p>Limpié el tubo de venturi.</p> <p>Limpié las bocas del quemador.</p>
<b>Caída repentina del flujo de gas o altura de la llama insuficiente.</b>	<p>Puede que se haya activado el dispositivo de seguridad de exceso de flujo.</p> <p>Sin gas.</p>	<p>Compruebe si hay gas en el tanque de propano líquido.</p> <p>Gire la perilla a la posición "OFF" (apagado), espere 30 segundos y encienda la chimenea para exteriores. Si las llamas continúan siendo demasiado bajas reinicie el dispositivo de seguridad de flujo excesivo girando la perilla a la posición "OFF" y la válvula del tanque de propano líquido. Desconecte el regulador. Gire la perilla de control del quemador a la posición "HIGH" (alto). Espere 1 minuto. Gire la perilla de control del quemador a la posición "OFF". Vuelva a conectar las conexiones del regulador y del dispositivo de comprobación de fugas. Abra lentamente la válvula del tanque de propano líquido, espere 30 segundos y, a continuación, encienda la chimenea para exteriores.</p>
<b>Falta de uniformidad en la llama.</b>	<p>Las bocas del quemador están atasgadas u obstruidas.</p>	<p>Limpié las bocas del quemador.</p>
<b>La llama se apaga.</b>	<p>Vientos fuertes o racheados.</p> <p>Nivel de gas del tanque de propano bajo.</p> <p>Válvula de exceso de flujo obstruida.</p>	<p>Aumente la altura de la llama a la graduación "HIGH" (alto).</p> <p>Sustituya el tanque de propano o vuelva a llenarlo.</p> <p>Consulte la sección "Caída repentina del flujo de gas".</p>
<b>La llama produce menos calor durante los períodos fríos (temperaturas por debajo de los 50° F/10° C)</b>	<p>Se acumuló hielo en el exterior del tanque de gas propano líquido porque el proceso de vaporización es demasiado lento.</p>	<p>Gire la perilla a la posición "OFF" (apagado) y cierre el gas del tanque de propano líquido de repuesto. Guarde un tanque de gas de repuesto en un área bien ventilada y fuera del alcance de los niños.</p>
<b>Si cualquier problema no puede resolverse usando estos métodos, sírvase llamar al 1.800.762.1142 para obtener ayuda.</b>		

## Garantía limitada

Blue Rhino Sourcing, Inc. ("el fabricante") garantiza al comprador original, al detal, de este producto, y a ninguna otra persona, que si la unidad se arma y opera de acuerdo con las instrucciones impresas que la acompañan y por un periodo de un (1) año a partir de la fecha de compra, todas las piezas de este producto estarán libres de defectos en material y mano de obra. El fabricante podrá requerir prueba razonable de la fecha de compra. Por lo tanto, usted debe conservar el recibo de venta o la factura. Esta garantía limitada estará limitada a la reparación o reemplazo de las piezas que resulten defectuosas en condiciones de servicio y uso normal y las que un examen indique, a satisfacción del fabricante, que están defectuosas. Antes de devolver cualquier pieza, comuníquese con el Departamento de Servicio al Cliente (Customer Service Department) del fabricante. Si el fabricante confirma el defecto y aprueba el reclamo, el fabricante decidirá reemplazar tales partes sin costo alguno. Si se le pide que devuelva las partes defectuosas, los costos de transporte deberán ser prepagados. El fabricante devolverá las partes al cliente con costo de transporte o envío prepagados. Esta garantía limitada no cubre fallas o dificultades de operación debidas a accidente, abuso, mal uso, alteración, empleo en usos inapropiados, instalación defectuosa o mantenimiento o servicio inapropiado o falla en la realización de mantenimiento normal y rutinario como se prescribe en este manual del usuario. Además, la garantía limitada no cubre daños al terminado de la unidad, tales como rasguños, abolladuras, descoloridos, oxidaciones y otros daños causados por la intemperie después de la compra de la unidad. Esta garantía limitada reemplaza cualquier otra garantía. El fabricante no asume ninguna responsabilidad por garantías de productos vendidos por quienes no sean distribuidores o vendedores al detal autorizados. Esta exención de responsabilidad incluye cualquier garantía de comerciabilidad o la garantía de aptitud para un propósito en particular. EL FABRICANTE NO SE HACE RESPONSABLE POR NINGUNA GARANTIA IMPLICITA INCLUYENDO, SIN LIMITACIONES, LAS GARANTIAS IMPLICITAS DE COMERCIABILIDAD Y ADAPTABILIDAD A UN PROPOSITO PARTICULAR. EL FABRICANTE NO ASUME RESPONSABILIDAD ANTE EL COMPRADOR O ANTE CUALQUIER TERCERA PERSONA POR DAÑOS ESPECIALES, INDIRECTOS, PUNITIVOS, INCIDENTALES O CONSECUENCIALES. El fabricante, además, no asume responsabilidad por garantías implícitas o expresas por defectos de mano de obra causados por terceras personas. Esta garantía limitada le da al comprador derechos legales específicos y el comprador puede tener otros derechos según el lugar donde el comprador o la compradora residan. Ciertas jurisdicciones no permiten limitaciones en cuanto a la duración de una garantía implícita, de manera que esta limitación puede no ser aplicable a usted. El fabricante no autoriza a ninguna persona o compañía para asumir por el fabricante cualquier otra obligación o responsabilidad relacionada con la venta, instalación, uso, remoción, devolución o reemplazo de este equipo y cualquier representación de esta naturaleza no obliga al fabricante. Blue Rhino Sourcing, Inc. Winston-Salem, North Carolina EE.UU. (800)-762-1142

**Comprobar si hay fugas**

**▲ ADVERTENCIA:** Antes de usar este esta chimenea para exteriores asegúrese de haber leído, entendido y seguido toda la información proporcionada en la sección de Peligros y Advertencias que se encuentra en la Página 2. El no seguir estas instrucciones puede provocar un accidente que cause la muerte, lesiones graves o daños a la propiedad.

**Conexiones del quemador**

1. Asegúrese de conectar adecuadamente la válvula del regulador al quemador y la manguera al tanque.

Nota: Si alguien armó la unidad para usted, verifique visualmente la conexión entre el tubo del quemador y el orificio. Asegúrese de que el tubo del quemador encaja sobre el orificio.

**▲ ADVERTENCIA:** El no inspeccionar esta conexión o seguir debidamente estas instrucciones puede causar incendio o explosión ocasionando muerte, graves lesiones o daños a la propiedad.

**2. Por favor, consulte el diagrama para llevar a cabo correctamente la instalación.**

3. Si el tubo del quemador no queda a ras con el orificio, por favor llame al 1.800.762.1142.

**Conexión de la línea de gas y del tanque**

1. Prepare unos 80 ml de solución para comprobar si hay fugas mezclando una parte de jabón líquido para lavar platos y tres partes de agua.

2. Asegúrese de que la perilla de control está en la posición "OFF" (apagado), vea la Figura 2.

3. Conecte y asegure el tanque de propano líquido de 16,4 onzas (465 g).

4. Aplique con una cuchara la solución de verificación de escapes en todas las ubicaciones marcadas con "X" (vea la Figura 1).

Si en cualquier punto aparecen burbujas, cierre la válvula del tanque (OFF), vuelva a conectar la manguera y verifique nuevamente. Si las burbujas continúan apareciendo después de varios ensayos, desconecte la fuente de propano y llame al teléfono 1.800.762.1142 para notificar el defecto.

**Encendido**

1. Asegúrese de que no hay nada que obstruya el flujo de aire en la unidad de gas. Arañas y otros insectos pueden formar sus nidos dentro y obstruir los orificios del quemador/tubo de venturi. Un tubo de quemador obstruido puede provocar un incendio debajo del aparato.

2. La perilla tiene que estar en la posición "OFF" (apagado), vea la Figura 2.

3. Abra el gas desde el tanque de propano.

4. Para encender el quemador, oprima y gire la perilla de control para situarla en la posición "HIGH" (encendido).

5. Si el quemador no se enciende en 5 segundos, gire la perilla de control a "OFF" (apagado), espere 5 minutos, abanique con un periódico o revista y luego repita el procedimiento de encendido.

6. En caso de que el encendedor electrónico no encienda el quemador, use una cerilla larga o un encendedor de butano para encender el quemador manualmente (Figura 3).

7. Después de encender el quemador observe su llama y asegúrese la piloto y de que todos los orificios estén encendidos y que la altura de la llama corresponda a la del diagrama (Figura 4 y 5).

**Apagado:**

1. Gire la perilla de control a la posición "OFF" (apagado).

2. Remueva el tanque de propano.

**Limpieza y cuidado**

**Inspección**

Esta chimenea para exteriores debe ser examinada en forma regular para verificar la seguridad de su funcionamiento y prolongar su vida útil.

**▲ ADVERTENCIA:** NO trate de inspeccionar esta chimenea para exteriores antes de que el fuego se haya extinguido COMPLETAMENTE.

1. Verifique que el quemador y el conjunto de leños están correctamente asegurados.

2. Verifique que el tubo de venturi está libre de nidos de arañas y telarañas.

3. Verifique que no hay fugas y que todas las conexiones están en perfecto estado.

4. Verifique que el sistema de encendido está operando correctamente y produce la chispa apropiada.

5. Verifique que todos los componentes están libres de oxidación o de señales de daños.

6. Si detecta daños en cualquier componente, NO opere la unidad antes de que las reparaciones se hayan realizado.

**Limpieza**

Esta chimenea para exteriores debe limpiarse en forma regular para asegurar su funcionamiento seguro y prolongar su vida útil.

Nota: Después de repetido uso, la superficie de metal puede descolorarse un poco.

**▲ ADVERTENCIA:** NO trate de limpiar esta chimenea para exteriores antes de que el fuego se haya extinguido COMPLETAMENTE.

**▲ ADVERTENCIA:** NO use productos para limpieza de hornos o limpiadores abrasivos pues estos dañan la unidad.

1. Limpie las superficie exteriores con un detergente suave para el lavado de platos o con soda de hornear.

2. Enjuague con agua limpia.

**Almacenamiento**

**▲ ADVERTENCIA:** NO mueva o guarde esta chimenea para exteriores antes de que el fuego se haya extinguido COMPLETAMENTE y sus partes se sientan frías al tocarlas.

1. Cierre la válvula de gas (OFF) en la conexión del tanque. Remueva el tanque y guárdelo en un lugar seco y fresco en el exterior y protegido de los niños.

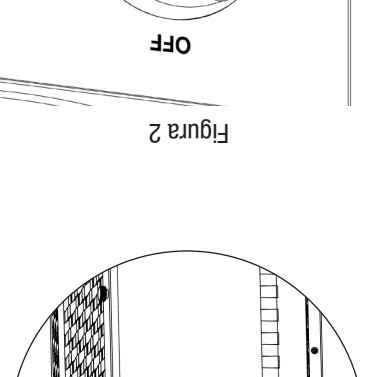
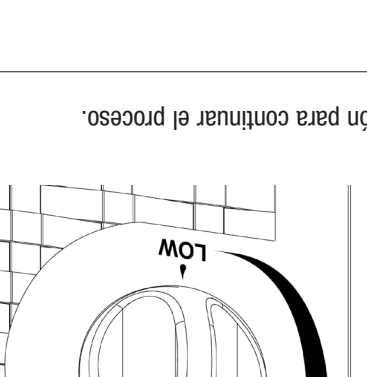
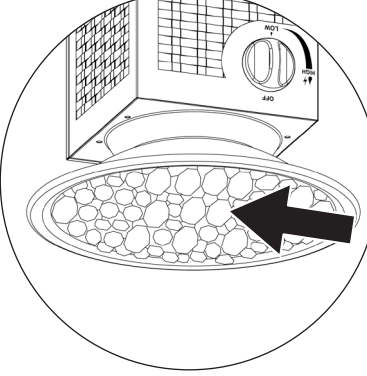
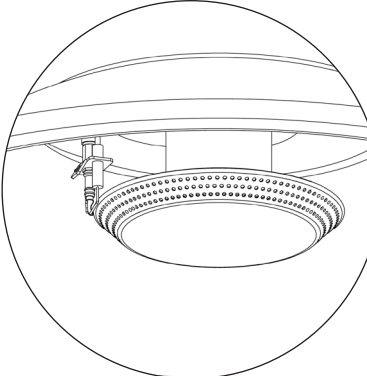
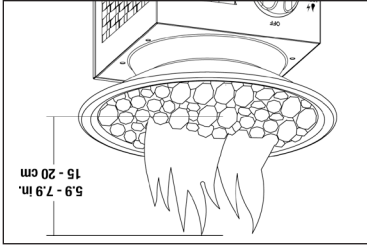
2. Cuidadosamente desarme el conjunto de leños de cerámica y guarde los componentes descansando en el cuenco de la chimenea para exteriores para protegerlos de daño.

3. Cubra la chimenea para exteriores con una cubierta de vinilo durable y diseñada para esta unidad.

4. Guarde la unidad en un lugar seco y fresco protegido de niños y mascotas.

**Registro del producto**

Para beneficiar del servicio de garantía más rápidamente, sírvase registrar su unidad inmediatamente visitando nuestro sitio Internet [www.bluerhino.com](http://www.bluerhino.com) o llamando al 1.800.762.1142.



**Instrucciones de armado**

**NO DEVUELVA EL PRODUCTO AL LUGAR DE COMPRA**

Si necesita ayuda llame, sin cargo, al **1.800.762.1142**. Por favor tenga a mano su manual y el número de serie de la unidad, para referencia.

Para facilitar el armado:

- Evite la pérdida de componentes pequeños o elementos de ferretería, armando el producto en un lugar de piso plano sin aberturas ni hendiduras.
- Despeje un área suficientemente grande para disponer todos los componentes y los elementos de ferretería.
- Cuando sea del caso, apriete a mano, en un principio, las conexiones de ferretería. Una vez que ha terminado el paso, apriete completamente todos los elementos de ferretería.
- Siga todos los pasos en el orden indicado para armar debidamente esta unidad.

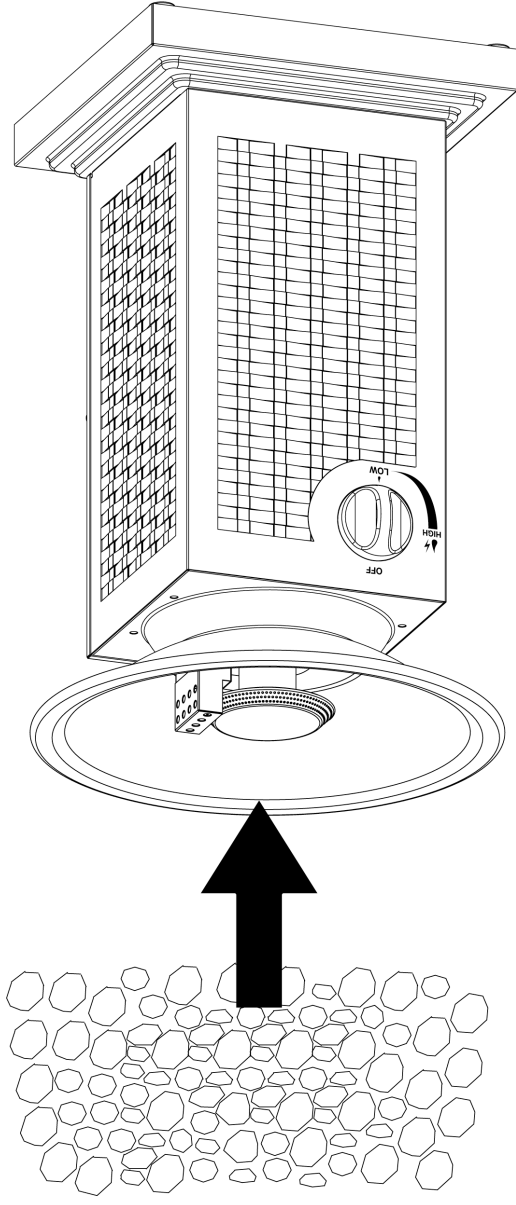
Para terminar el armado de la unidad necesitará:

- (1) solución para detección de fugas (las instrucciones sobre cómo prepararla las encontrará en la sección "Operación").

**Nota:** Siga todos los pasos para armar correctamente la chimenea para exteriores.

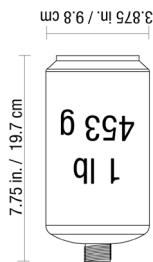
**2**

**Coloque las piedras volcánicas**



**Instalación del tanque de gas propano líquido**

Para hacer funcionar la chimenea necesitará un (1) tanque de propano líquido de un (1) tanque de 16,4 onzas (465 g).



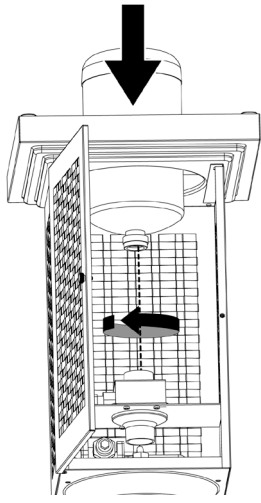
**Para insertar y asegurar un tanque de gas propano líquido de 16,4 onzas (465 gramos)**

Use únicamente tanques de gas marcados "propano";

*Nota:* Algunos tanques de gas de 1 libra (453 gramos)

alineen la rosca en el tanque con la rosca en el regulador e inserte y gire el tanque en la dirección de las manecillas del reloj hasta que queden conectados firmemente.

APRIETE LA CONEXION CON LA MANO UNICAMENTE. Tenga cuidado de no dañar las roscas cuando atornilla el tanque.

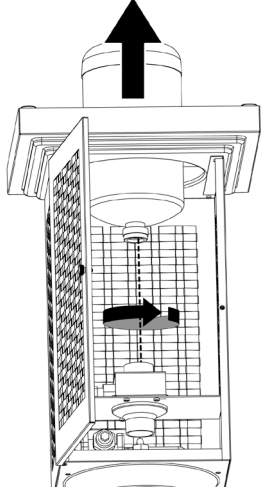


**Desconecte el tanque de gas propano líquido de 16,4 onzas (465 gramos)**

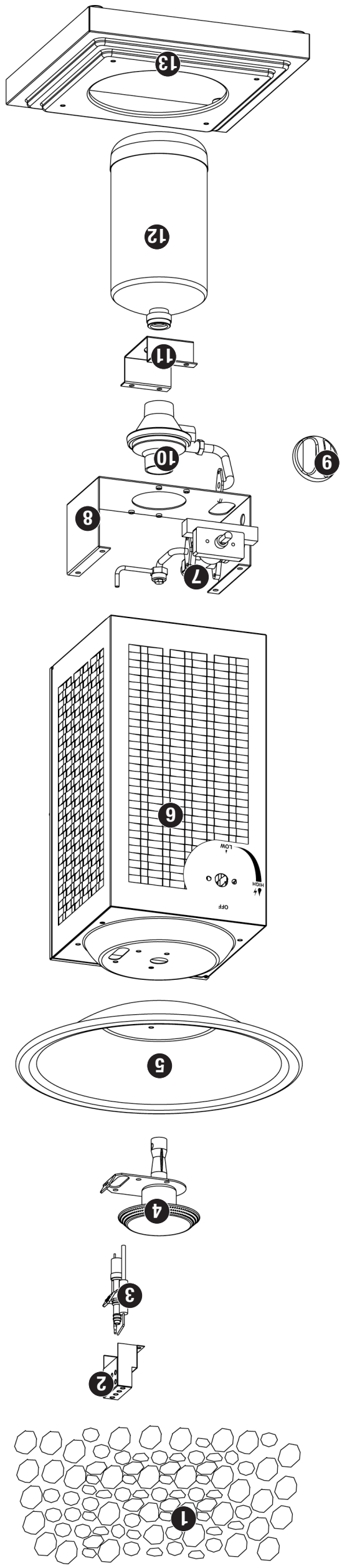
Antes de desconectar el tanque, asegúrese de que la válvula del tanque de gas propano líquido está en la posición "OFF" (apagado).

Gire el tanque de propano en la dirección contraria a las manecillas de reloj hasta que esté flojo.

Guarde el tanque de propano líquido en un lugar apropiado.







**Lista de piezas**

1	Piedras volcánicas	55-05-833
2	Tapa del piloto*	55-05-834
3	Piloto*	55-05-835
4	Quemador*	55-05-836
5	Cuenco*	55-05-837
6	Carcasa*	55-05-838
7	Conjunto de válvula*	55-05-839
8	Soposte de la válvula*	55-05-840
9	Perilla de control*	55-05-841
10	Regulador*	55-05-842
11	Soposte del regulador*	55-05-843
12	Tanque de propano de 16,4 onza (465 g) (NO incluido)	
13	Base*	55-05-845
14	Tapa (No mostrada)	55-05-846

\* Viene ensamblado

**Diagrama de explosión**

Si necesita ayuda llame al 1.800.762.1142. No devuelve el artículo al lugar de compra.

## PELIGROS Y ADVERTENCIAS: PARA SU SEGURIDAD

**▲ PELIGRO:** El no seguir las llamadas de peligro, de advertencia y de precaución contenidas en este manual puede resultar en serias lesiones personales y aun mortales, o en un incendio o una explosión que puede causar daños a la propiedad.

### ▲ ADVERTENCIA:

- ▲ Esta unidad es para ser usada al aire libre únicamente y NO debe usarse en un edificio, garaje o cualquier otra área cerrada.
- ▲ Mantenga siempre distancias libres a cualquier material combustible de 183 cm por arriba y de 61 cm por los lados del aparato.
- ▲ NO use esta chimenea para exteriores adentro para calentar el ambiente. Los gases TÓXICOS de monóxido de carbono pueden acumularse y provocar la asfixia.
- ▲ Esta chimenea para exteriores NO ha sido diseñada para uso comercial.
- ▲ Esta chimenea para exteriores utiliza únicamente gas de propano líquido como combustible. El convertir o tratar de convertir esta chimenea para exteriores de gas propano líquido para ser usada con gas natural es peligroso e invalida la garantía de la unidad.
- ▲ Características del propano líquido (PL):
  - a. El propano es inflamable y resulta peligroso si se manipula inadecuadamente.
  - Antes de utilizar cualquier producto que emplee propano líquido, estudie detenidamente sus características.
  - b. El propano es un gas explosivo bajo presión, más denso que el aire y se asienta en pozos en zonas bajas.
  - c. En su estado natural, el propano no tiene ningún olor. Para su seguridad, se añade una esencia odorífera que huele a col podrida.
  - d. El contacto directo con el propano líquido puede causar quemaduras frías en la piel.

▲ Se requiere un tanque de gas propano para hacer funcionar este aparato. Únicamente tanques marcados “Propano” pueden usarse en esta unidad.

- a. El tanque de gas propano líquido (PL) debe estar fabricado y comercializado según las Especificaciones para tanques de gas PL del Departamento de Transporte (DOT) de EE.UU. o del Estándar nacional de Canadá, CAN/CSA-B339 sobre tanques, esteras y tubos para el transporte de mercancías peligrosas; y la comisión.
- b. Verifique que el tanque de gas cuenta con mecanismo de extracción de vapor y que el tanque está colocado para facilitar la extracción del gas.
- c. El tanque de gas propano líquido debe tener un dispositivo que evite el sobrellenado del tanque (OPD) y una válvula QCCI o una conexión Tipo I (CGA810) de tanque de gas propano líquido.
- d. Utilice únicamente tanques de gas de 16,4 onzas (465 g) de propano líquido que tienen un dispositivo de conexión compatible con aparatos de cocción al aire libre.
- e. El tanque de propano líquido debe tener un cuello para proteger la válvula.
- f. No utilice nunca un tanque de propano líquido si el cuerpo, la válvula, el cuello o la base presentan algún daño.
- g. Los tanques de propano líquido abollados u oxidados pueden ser peligrosos y deberían ser revisados por su proveedor de gas PL antes de utilizarlos.
- h. No deje caer el tanque de gas propano líquido ni lo maneje bruscamente.
- i. Los tanques deben almacenarse en exteriores, en un lugar al aire libre siempre fuera del alcance de los niños y nunca en un garaje, edificio o espacio cerrado.

- Nunca almacene tanques de gas en un lugar en el que la temperatura supere los 125°F (51,5°C).
- f. No ponga nunca un tanque de gas propano lleno en un carro o camioneta calientes. El calor podría hacer que la presión del gas aumentase, lo que abriría la válvula de seguridad y haría que se escapase el gas.
  - k. Ponga la tapa contra el polvo en la válvula de salida del tanque cuando no lo esté usando. Únicamente use la tapa contra el polvo que viene con la válvula del tanque.
  - l. Otros tipos de tapones o tapas pueden crear fugas de propano.
  - m. Nunca guarde un tanque adicional de propano debajo o cerca de esta unidad.
- ▲ Todas las conexiones de gas de su chimenea para exteriores han sido verificadas en fábrica en cuanto a fugas de gas. Sin embargo, pruebe la integridad de todas las conexiones ya que el movimiento en transporte puede aflojar algunas de ellas.
- ▲ Verifique que no haya fugas aun si el aparato ha sido armado por otra persona.
- ▲ No opere la unidad si hay una fuga de gas. Las fugas de gas pueden provocar un fuego o una explosión.
- ▲ Antes de operar esta unidad, debe observar todos los procedimientos para verificar que no hay fugas de gas. Para evitar cualquier riesgo de fuego o de explosión al comprobar si hay fugas:
- a. Compruebe siempre si hay fugas antes de encender la chimenea, cada vez que el tanque de gas está conectado.
  - b. No fume. No use o permita fuentes de ignición en el área al comprobar si hay fugas.
  - c. Siempre compruebe si hay fugas en exteriores donde hay una buena ventilación.
  - d. No use cerillas o fósforos, encendedores o una llama para comprobar si hay fugas.
  - e. No use la chimenea para exteriores hasta que todas las fugas hayan sido reparadas. Si no puede parar una fuga, desconecte el tanque de propano. Llame a un técnico o a su proveedor de propano local.

- ▲ No guarde o use gasolina u otros líquidos o vapores inflamables a menos de 7,62 m (25 pies) de esta unidad.
- ▲ No utilice el equipo en una atmósfera explosiva. Mantenga la zona del chimenea para exteriores libre de materiales combustibles, gasolina y cualquier otro vapor o líquido inflamable.
- ▲ Esta chimenea para exteriores NO debe ser usado por los niños.
- ▲ NO instale o utilice esta chimenea para exteriores en embarcaciones o vehículos de recreo.

## Chimenea de propano para exteriores, modelo n° GLT905W

▲ Observe siempre y use la unidad cumpliendo todos los códigos de incendio aplicables, locales y nacionales. Obtenga de su Departamento de Incendios local detalles en cuanto a quemas al aire libre.

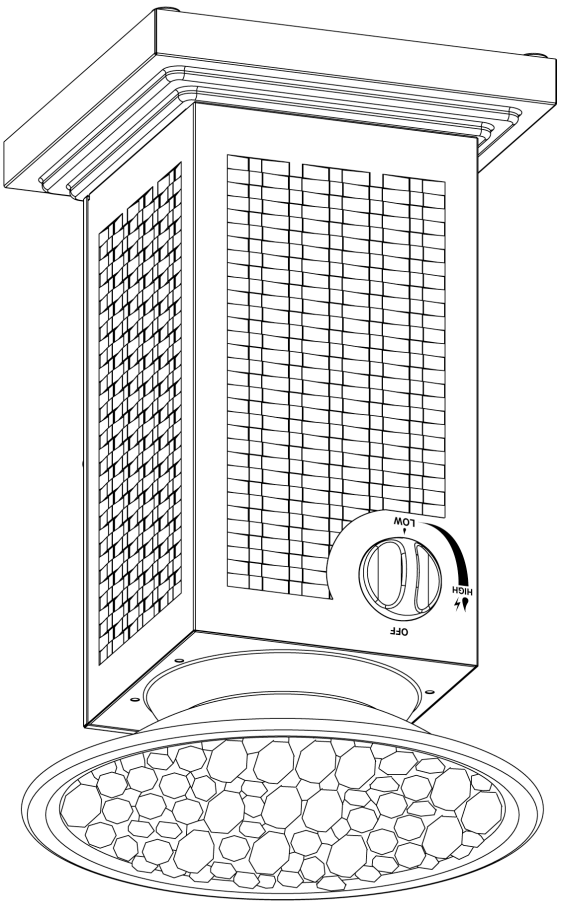
- ▲ Al usar esta chimenea para exteriores, observe las mismas precauciones que merece cualquier fuego abierto.
- ▲ El uso de bebidas alcohólicas, medicamentos o drogas de farmacia puede afectar la habilidad del usuario para armar debidamente u operar en forma segura este hogar para exteriores.
- ▲ NO encienda esta chimenea para exteriores sin haber leído completamente el “Manual del usuario”.
- ▲ NO quemé en esta chimenea para exteriores materiales combustibles sólidos tales como madera, briquetas de carbón de leña, carbón de leña, leños manufacturados, madera.
- ▲ frotante, basura, hojas, papel, cartón, madera contra chapada, madera pintada, barnizada o tratada a presión.

- ▲ Es fundamental mantener limpio el compartimiento de la válvula de la chimenea para exteriores, los quemadores y los conductos de aire circulante. Inspeccione la chimenea para exteriores antes de cada uso.
- ▲ NO altere la chimenea para exteriores de ninguna forma.
- ▲ NO utilice la chimenea para exteriores a menos que esté COMPLETAMENTE montada y que todas las piezas estén bien fijadas y apretadas.
- ▲ NO use o guarde un tanque de gas propano líquido en un radio inferior a 10 pies (3,05 metros) de este hogar para exteriores.
- ▲ NO use esta chimenea para exteriores cerca de automóviles, camiones, furgones o vehículos de recreo.
- ▲ NO use esta chimenea para exteriores debajo de aleros o cerca de construcciones combustibles que no estén debidamente protegidas. Evite usar la chimenea para exteriores cerca o debajo de árboles y arbustos.
- ▲ Coloque siempre la chimenea para exteriores al aire libre sobre superficies firmes y niveladas no combustibles tales como las de hormigón, ladrillo o piedra. Una superficie de asfalto o de pavimento puede que no sea adecuada para este propósito.
- ▲ NO use esta chimenea para exteriores para cocinar.
- ▲ NO use esta chimenea para exteriores si cualquierera de sus partes ha estado bajo el agua. Si este es el caso, llame inmediatamente a un técnico calificado de servicio para que examine la unidad y reemplace cualquier parte, control del sistema o cualquier control de gas que haya estado bajo el agua.
- ▲ NO vista ropa inflamable o suelta cuando usa la chimenea para exteriores.
- ▲ NO utilice la chimenea para exteriores si hace mucho viento.
- ▲ NO use esta chimenea para exteriores a menos que el quemador y la piedras volcánicas estén colocados en su lugar y asegurados correctamente.
- ▲ Mantenga todos los cables eléctricos lejos de una chimenea para exteriores caliente.
- ▲ Cuando el hogar para exteriores se usa, las superficies estarán calientes. NO toque la chimenea para exteriores hasta que no se haya enfriado completamente para evitar quemaduras, a menos que usted tenga puestos elementos de protección tales como guantes o almohadilla para las ollas, manoplas, guantes de barbacoa, etc.
- ▲ NO deje una chimenea para exteriores encendida sin vigilancia, especialmente si hay niños o mascotas presentes.

- ▲ NO trate de mover o guardar esta chimenea para exteriores o cambiar el tanque de gas antes de que todas sus partes se hayan enfriado.
- ▲ NO se apoye sobre la chimenea para exteriores cuando la está encendiendo o usando. Esta chimenea para exteriores debe limpiarse y verificarse completamente de manera regular. Limpie y revise la manguera antes de cada uso del aparato. Si detecta alguna señal de abrasión, desgaste, cortes o fugas, deberá sustituir la manguera antes poner en marcha el aparato.
- ▲ Utilice únicamente el regulador y el conjunto de manguera incluido. El regulador de repuesto y el conjunto de manguera serán los especificados por el fabricante.
- ▲ Use únicamente piezas autorizadas de fábrica de Blue Rhino Global Sourcing, Inc.. El uso de cualquier pieza NO autorizada de fábrica puede ser peligroso y su uso invalida su garantía.
- ▲ El almacenamiento del hogar para exteriores en un espacio cerrado sólo está permitido si el tanque está desconectado, desmontado del aparato y guardado al aire libre.
- ▲ NO trate de desconectar el regulador de gas del tanque, o cualquier otro accesorio de la línea de gas, mientras esté usando la chimenea para exteriores.
- ▲ Si la chimenea para exteriores no se está usando, el gas debe cerrarse en el tanque de suministro.
- ▲ La presión del regulador se ha fijado a una presión de 10,5 pulgadas (26,6 cm) de columna de agua.
- ▲ La presión máxima de entrada de gas para este hogar para exteriores es de una presión de 13 pulgadas (33 cm) de columna de agua.
- ▲ No tire ningún objeto al fuego cuando la unidad está en funcionamiento.
- ▲ Las piedras volcánicas se calientan mucho, mantenga alejados y a una distancia segura tanto a niños como a mascotas.
- ▲ Por favor, use guantes de protección cuando esté armando este producto.
- ▲ No trate de forzar las piezas juntas pues esto puede ocasionar lesiones o dañar el producto.
- ▲ NO guarde ningún material combustible en la base.

## Chimenea de propano para exteriores

Modelo n° GLT905W



**PELIGRO DE MONOXIDO DE CARBONO**

- Esta unidad produce monóxido de carbono el cual es inodoro.
- El usarla en un espacio cerrado puede ser mortal.
- Nunca use esta unidad en un espacio cerrado tal como en un campero, una tolda, un automóvil o en la casa.

**PELIGRO**

**ADVERTENCIA**

**PARA SU SEGURIDAD:**

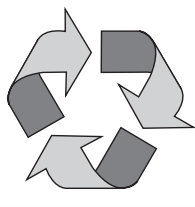
Solamente para uso en exteriores (fuera de cualquier recinto)

No use esta unidad para cocinar adentro

**ADVERTENCIA**

**PARA SU SEGURIDAD:**

- ▲ El no seguir exactamente las instrucciones de este manual puede producir un incendio o una explosión con daños a la propiedad, lesiones serias y hasta fatales.
- ▲ No guarde o use gasolina u otros líquidos o vapores inflamables en la vecindad de esta unidad o de cualquier otro aparato.
- ▲ **QUE HACER SI PERCIBE OLOR A GAS:**
  - No trate de encender ningún aparato.
  - No toque ningún interruptor eléctrico ni use ningún teléfono en su edificio.
  - Llame inmediatamente a la compañía de gas desde un teléfono vecino.
  - Siga las instrucciones que le da la compañía de gas.
  - Si no puede ponerse en contacto con la compañía de gas, llame al departamento de hechos por un instalador calificado, una agencia de servicio o una compañía de suministro de gas.
  - ▲ Una instalación, ajuste, alteración, reparación o mantenimiento inadecuados pueden causar lesiones o daños a la propiedad.
  - ▲ Lea atentamente las instrucciones de instalación, operación y mantenimiento del equipo antes de instalarlo, ponerlo en marcha o darle servicio.
  - ▲ Conserve estas instrucciones para futuras consultas. Si está montando esta unidad para otra persona, entregue este manual para futuras consultas.



Hecho con 70% de bagazo de caña (subproducto de la caña de azúcar respetuoso del medio ambiente)

**Índice**

Peligros y advertencias.....Página 2

Diagrama de explosión..... 3

Instrucciones de armado..... 4

Instalación del tanque de gas propano líquido..... 4

Inserte el tanque de propano..... 4

Desconecte el tanque de propano..... 4

Instrucciones de operación..... 5

Encendido..... 5

Apagado..... 5

Limpieza y cuidado..... 5

Inspección..... 5

Limpieza..... 5

Almacenamiento..... 5

Registro del producto..... 5

Garantía limitada..... 6

Resolución de problemas..... 7

El uso e instalación de este producto ha de realizarse de acuerdo con los códigos locales. Si no existen códigos locales, use las normas siguientes: *Código nacional para gas y combustibles, ANSI Z223.1/NFPA 54, CAN/CGA-B149.1, Código de instalación de propano y gas natural.*

Para instalaciones en el Canadá - estas instrucciones, aunque generalmente aceptables, no cumplen necesariamente con los códigos de instalación Canadienses, especialmente en lo que se refiere a tuberías subterráneas o de superficie. En el Canadá, la instalación de esta unidad debe cumplir con los códigos locales y con la especificación estándar CAN/CGA B149.1 (Código de instalación para aparatos y equipos con llama de gas propano).

Proposición 65 de California: La combustión del propano crea productos químicos considerados por el Estado de California como causantes de cáncer, malformaciones congénitas u otros daños reproductivos.