

This Owner's Manual is provided and hosted by [Appliance Factory Parts](#).



Broil King 5713-4 Owner's Manual

[Shop genuine replacement parts for Broil King 5713-4](#)

Broil King®

[Find Your Broil King Grill Parts - Select From 1350 Models](#)

----- Manual continues below part list -----

Available Replacement Parts for Broil King 5713-4

10194-E401	CONTROL COVER W/HS SMALL BLACK
18440	FLAV-R-WAVE - 40,000 BTU STAINLESS

To TT 5/30/02 (No orders at present)

Broil King®

REDDI-BILT BARBECUES

ASSEMBLY MANUAL & PARTS LIST

MANUEL DE MONTAGE & LISTE DE PIECES



Broil King.
SIGNET 20
5713-4
5713-7



Broil King.
SIGNET 30
5735-4
5735-7



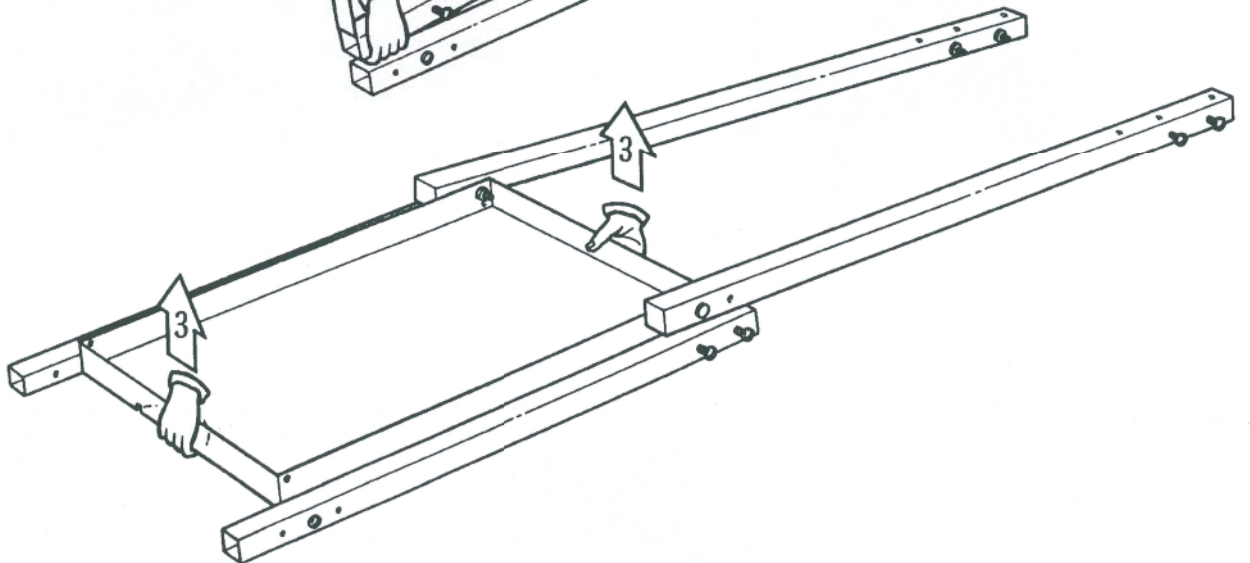
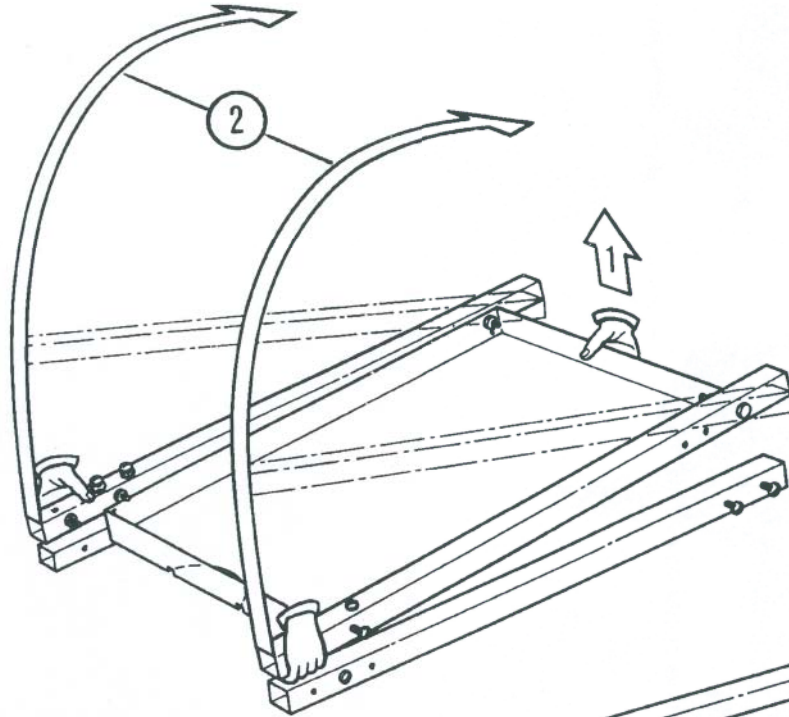
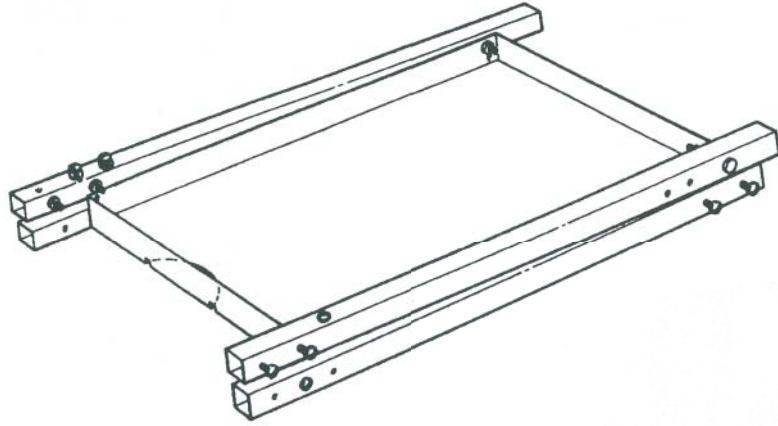
Broil King.
SIGNET 40
5745-4
5745-7
5747-4

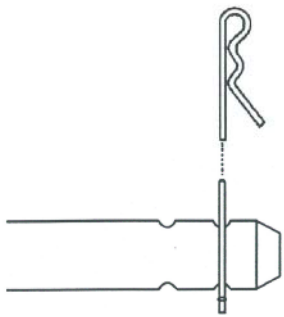
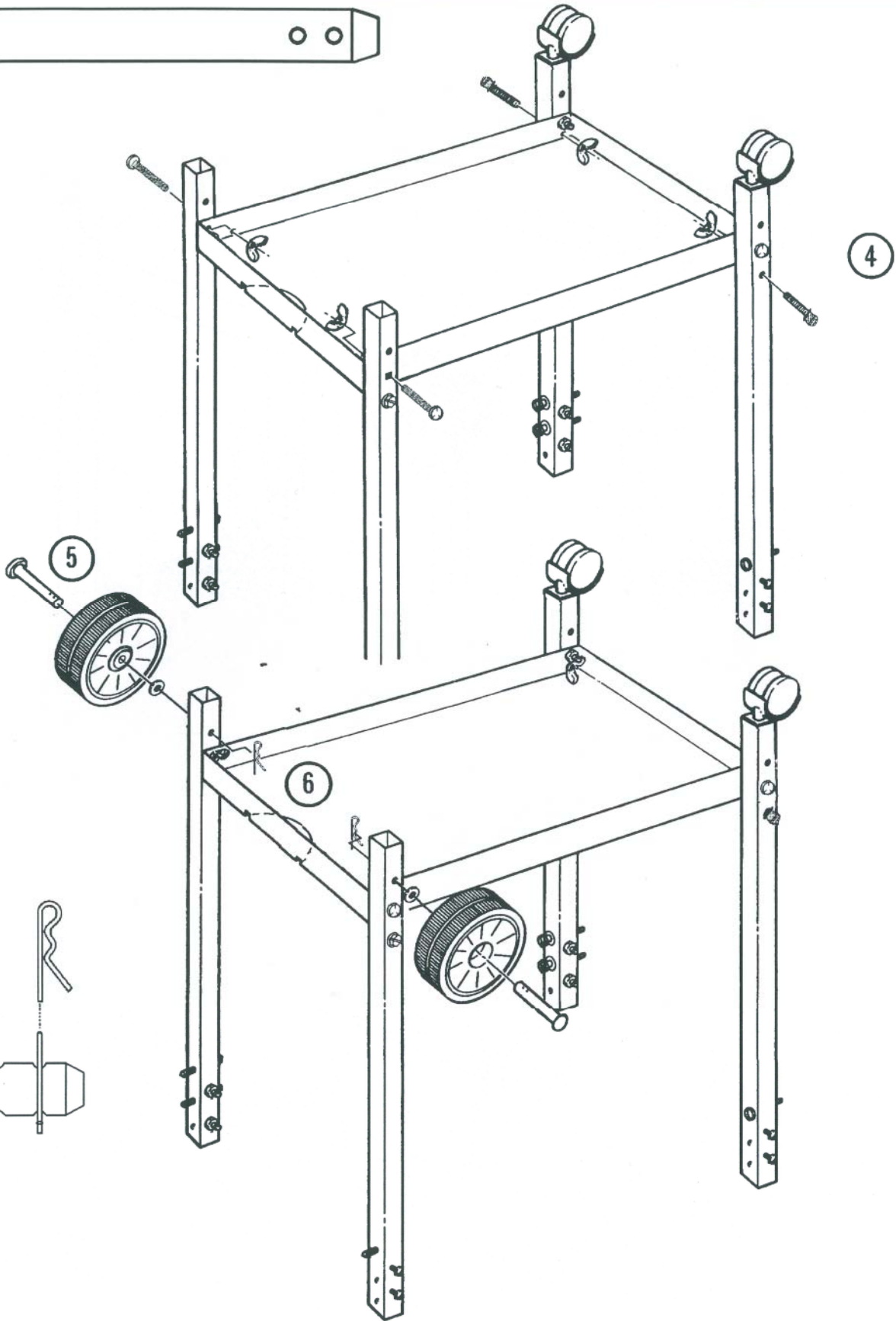
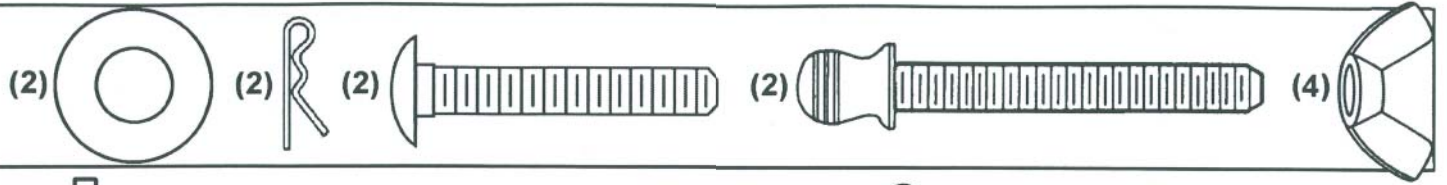
RETAIN FOR FUTURE REFERENCE

VEUILLEZ CONSERVER POUR REFERENCE ULTERIEURE

Onward
SINCE 1906
MANUFACTURING COMPANY LIMITED
585 KUMPF DRIVE
WATERLOO, ONTARIO, CANADA
N2V 1K3

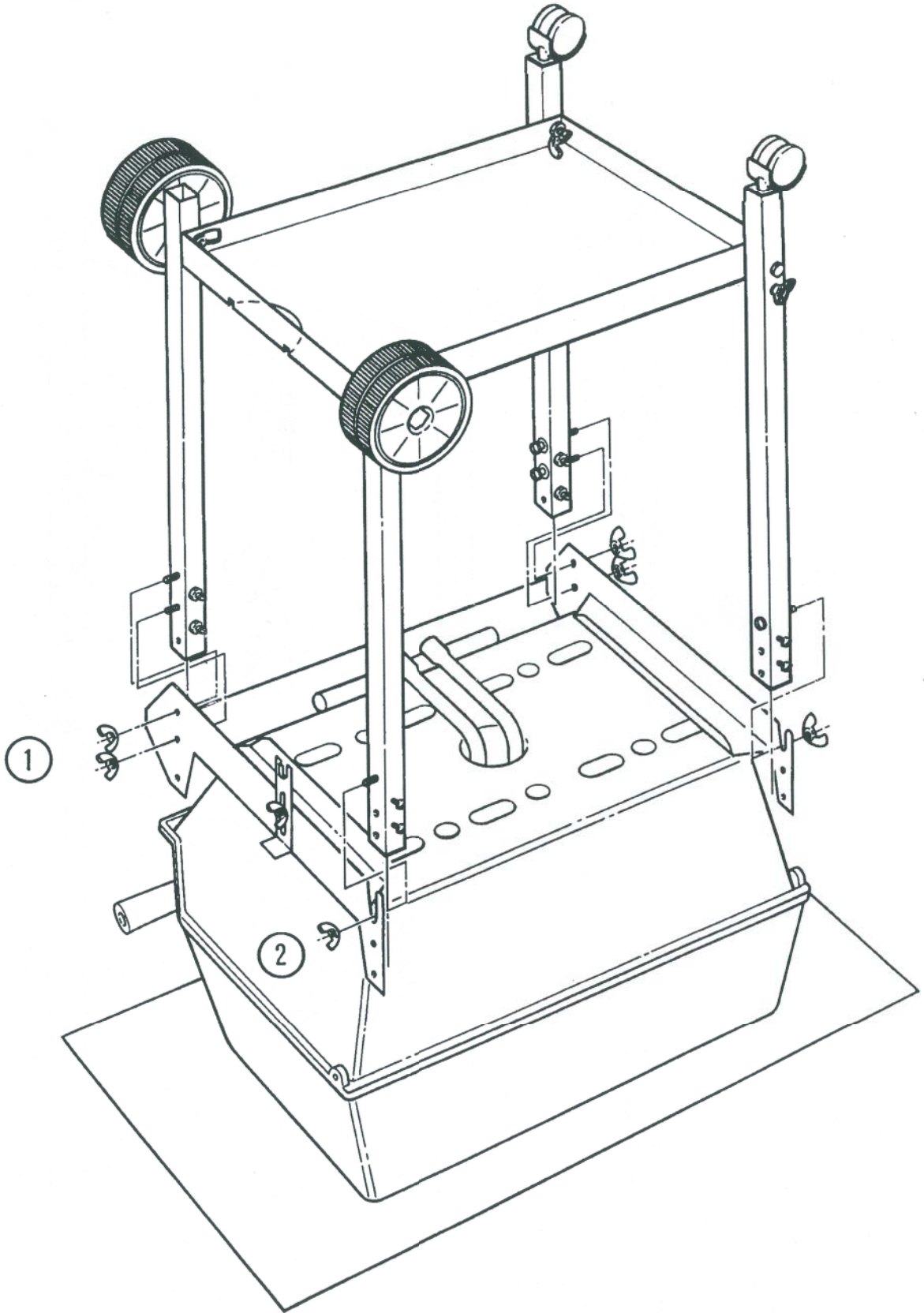
1

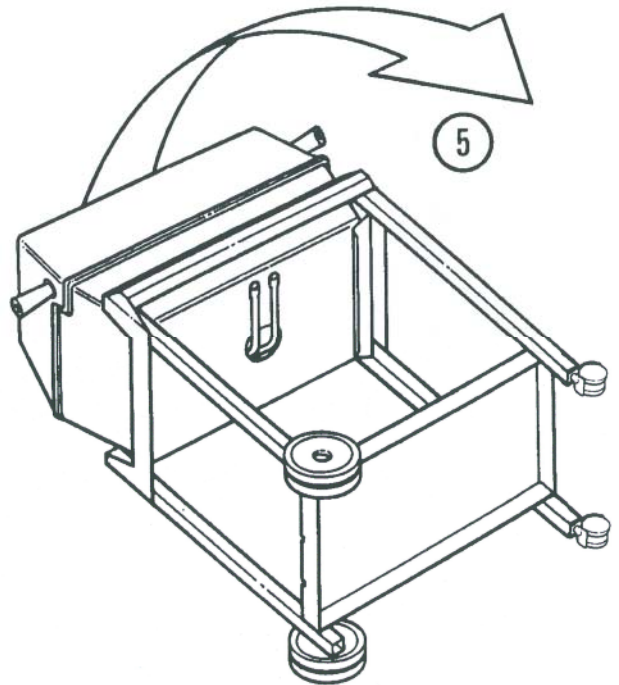
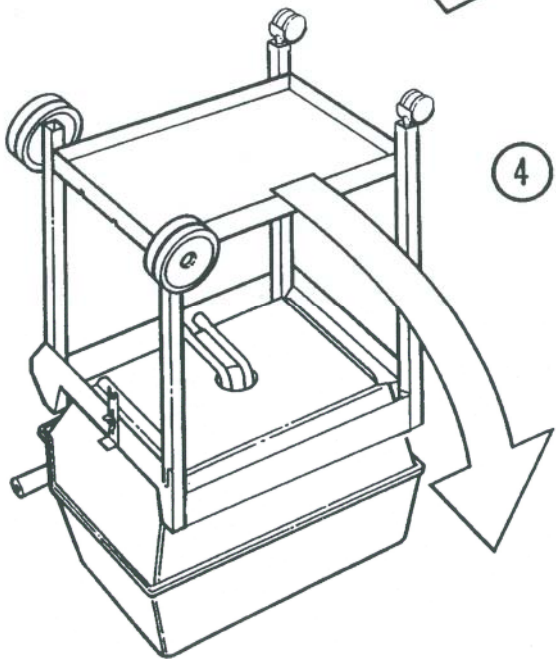
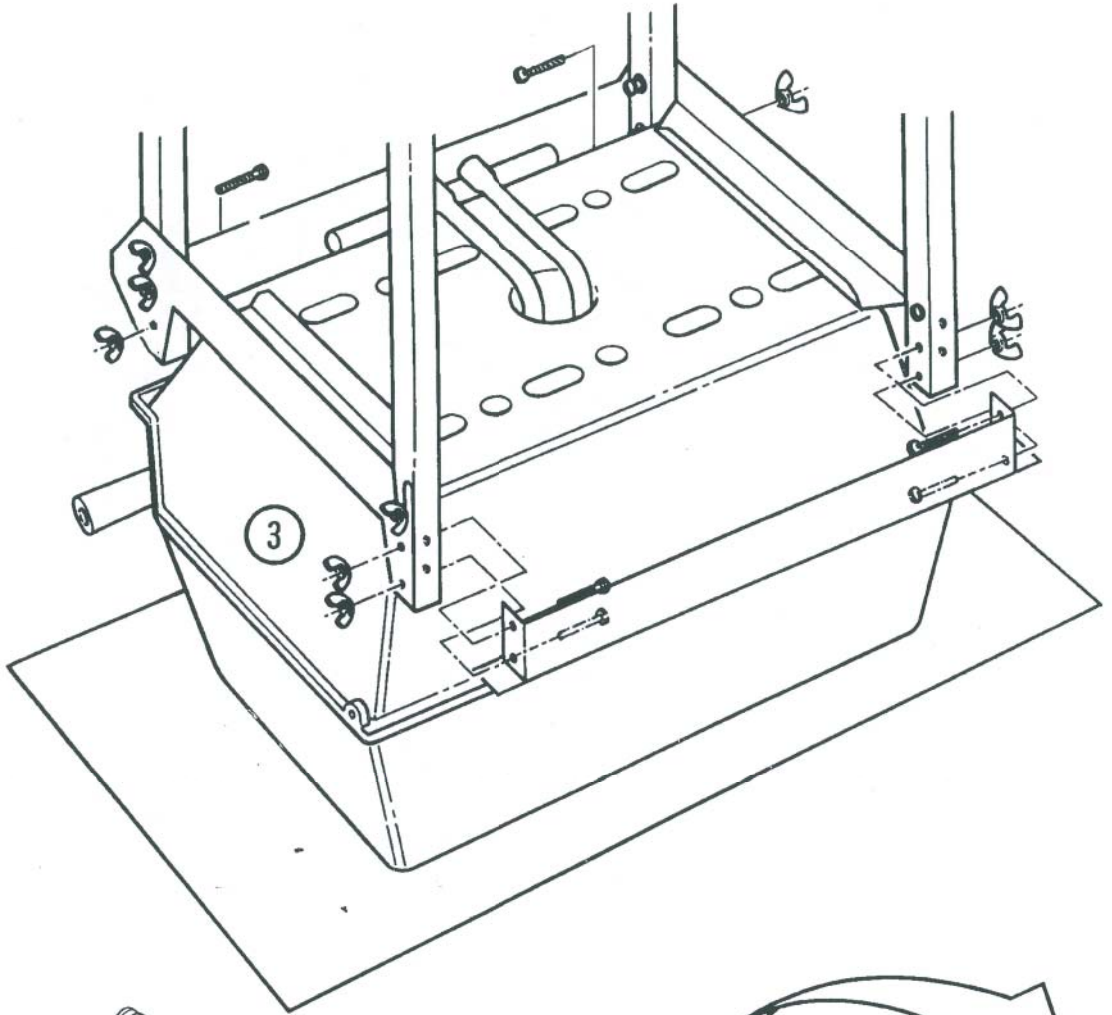
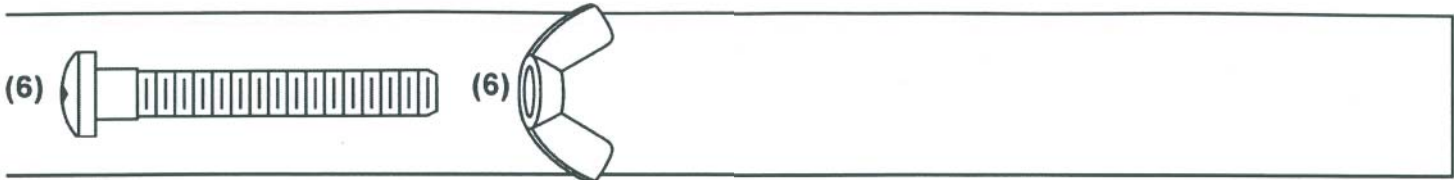




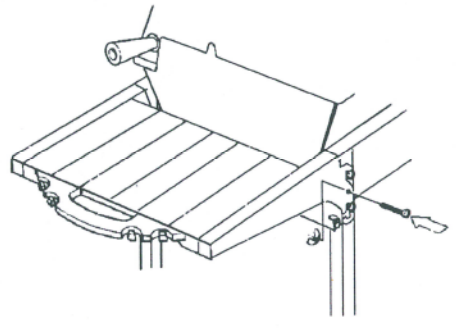
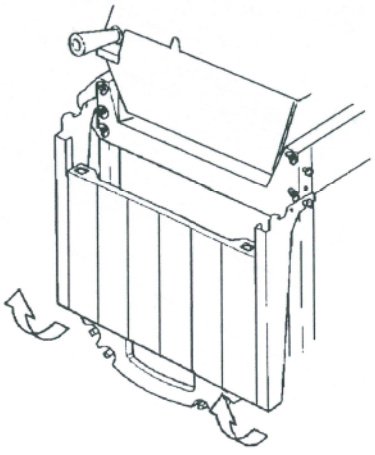
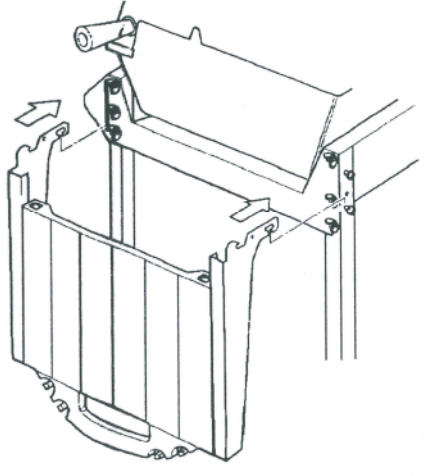
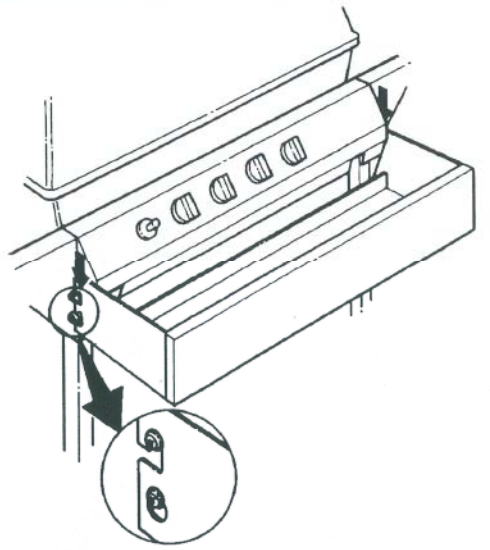
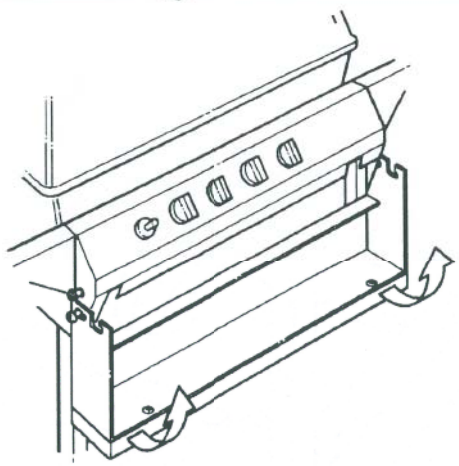
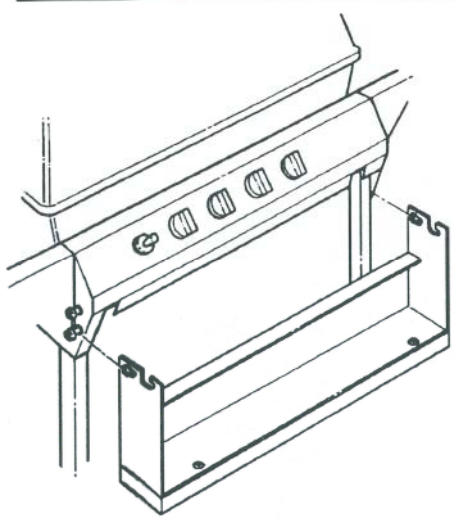
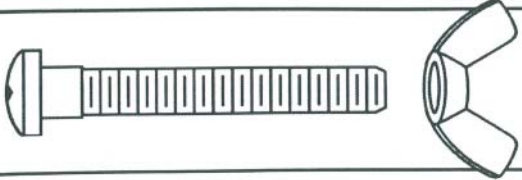
2

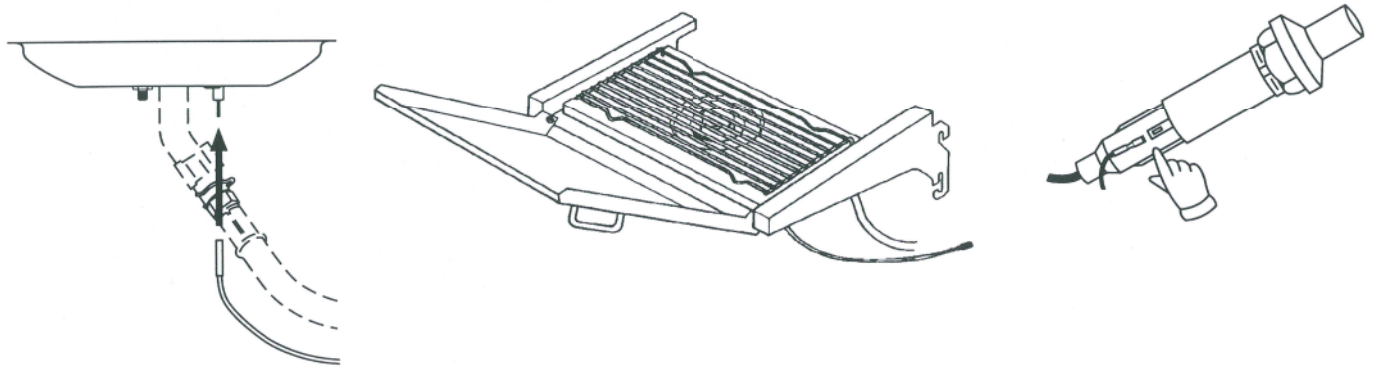
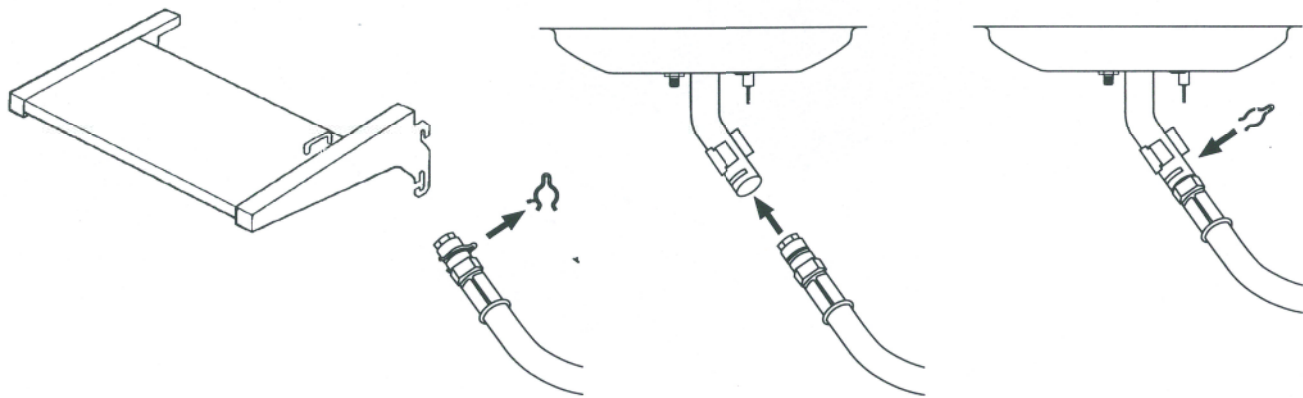
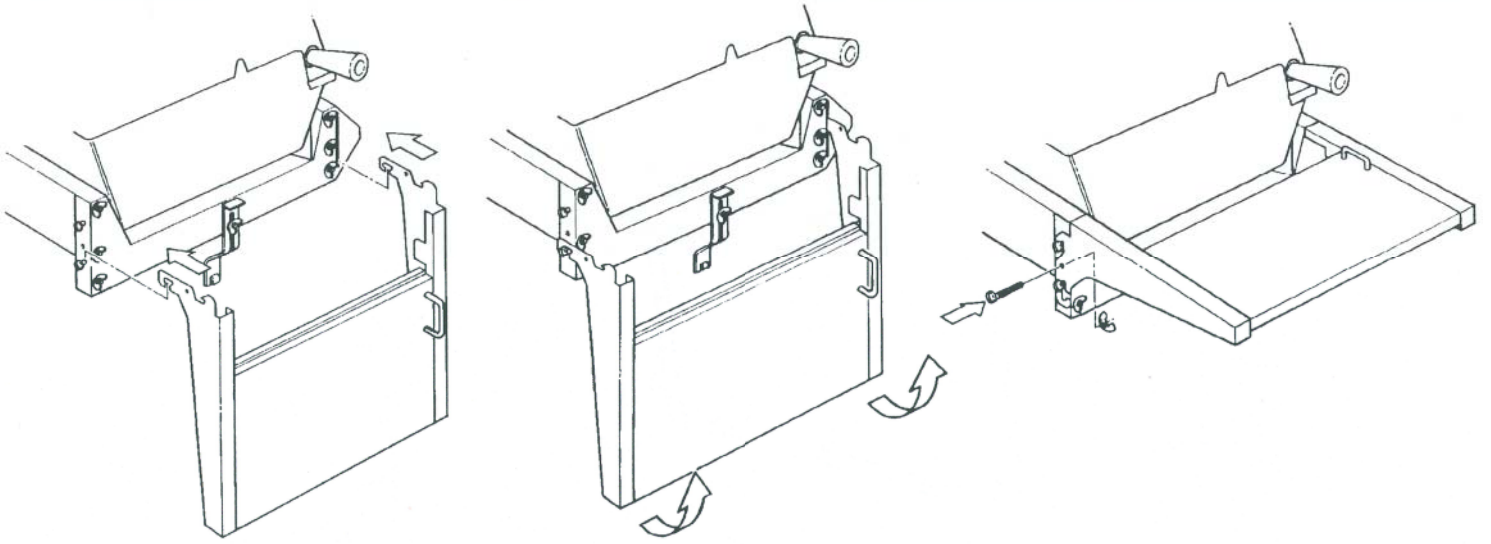
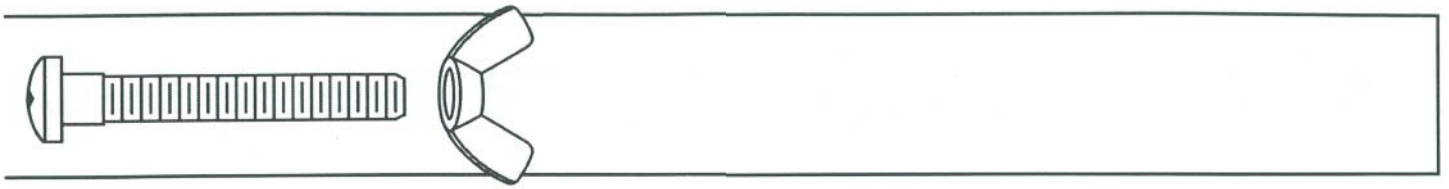
(6)



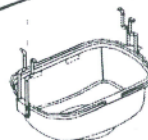
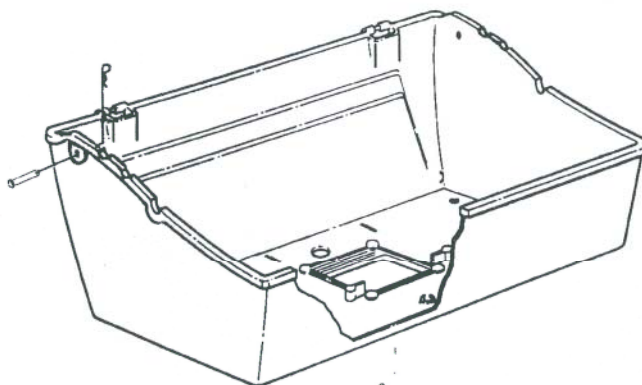
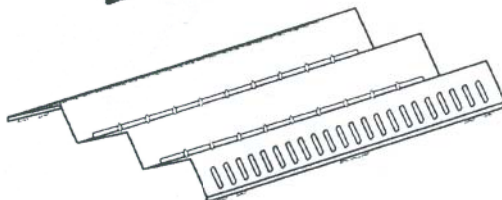
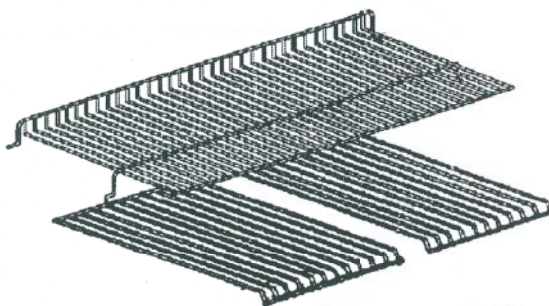
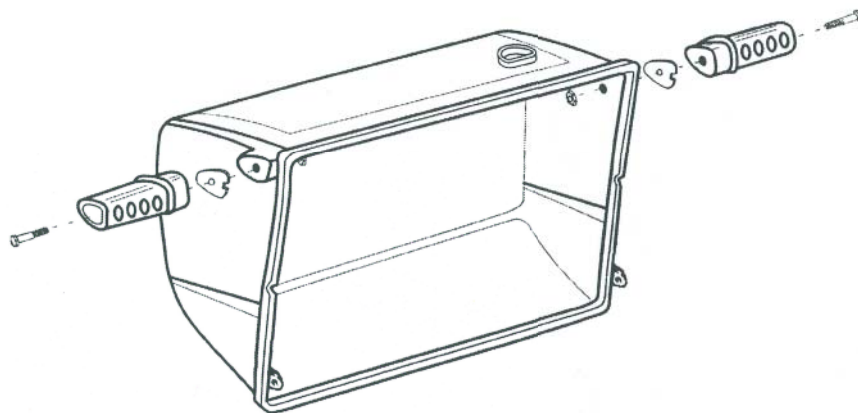
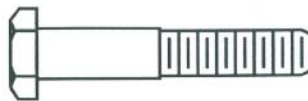


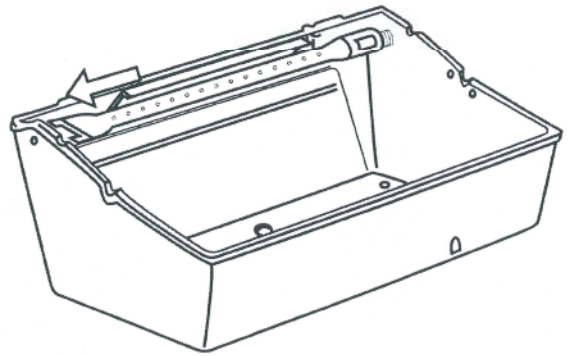
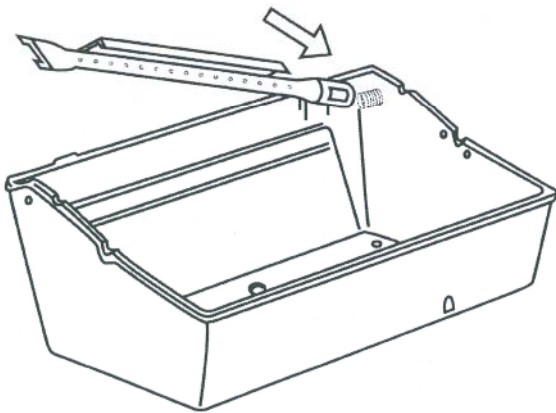
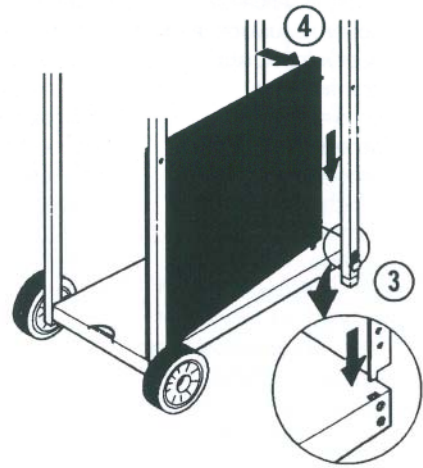
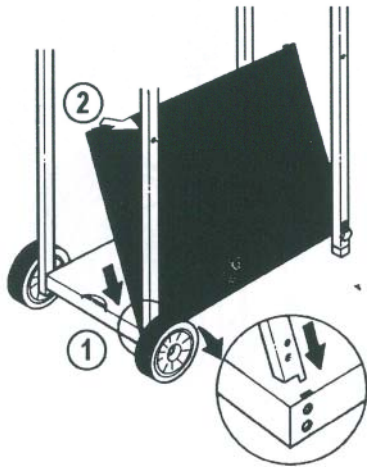
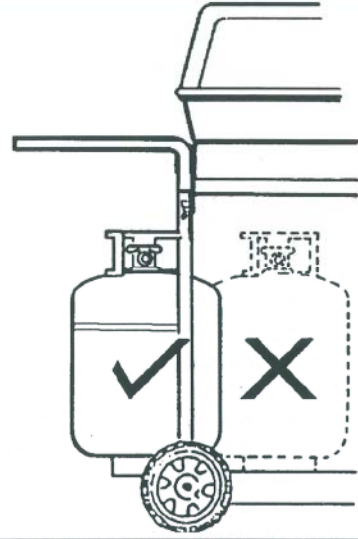
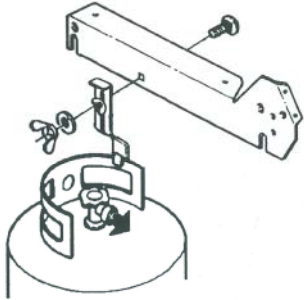
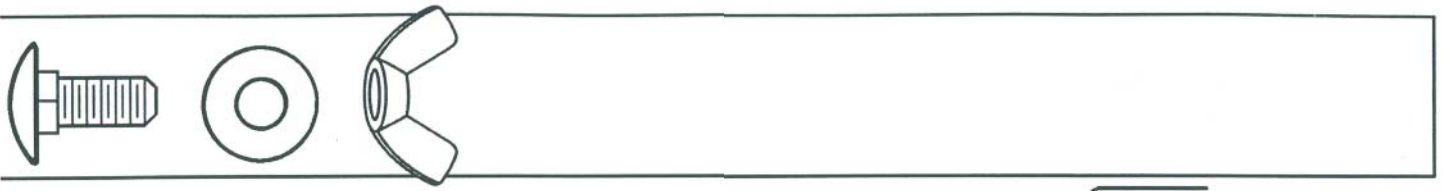
3





4





PARTS LIST/LISTE DES PIECES

KEY #	ITEM #	DESCRIPTION	DESCRIPTION	5713-4	5713-7	5735-4	5735-7	5745-4	5745-7	5747-4
1.	S11245	CASTING BOTTOM	FOND DU FOYER	1	1	1	1	1	1	1
2.	S11250	CASTING TOP	COUVERCLE DU GRIL	1	1	1	1	1	1	1
3.	10081-BK603	NAMEPLATE	PLAQUE D'IDENTIFICATION	1	1	1	1	1	1	1
4.	10958-K69	TOP CASTING INSERT	PANNEAU DE COUVERCLE	1	1	1	1	1	1	1
5.	10571-6	HEAT INDICATOR	INDICATEUR DE CHALEUR	1	1	1	1	1	1	1
6.	S21235	HINGE PIN	ATTACHE DE CHEVILLE	2	2	2	2	2	2	2
7.	S21233	HINGE CLIP	ATTACHE DE CHEVILLE	4	4	4	4	4	4	4
8.	10222-T424	FLAV-R-WAVE	FLAV-R-WAVE	1	1	1	1	1	1	1
9.	S12029	GRID - PORCELAIN	GRILLE	2	2	2	2	2	2	2
11.	S12207	GRID - WARMING RACK	GRILLE	1	1	1	1	1	1	1
15.	S10017	BURNER ASSY	ENSEMBLE DE BRULEUR	1	1	1	1	1	1	1
17.	10342-21	IGNITOR	ALLUMEUR	1	1	1	1	-	-	-
	10342-22	IGNITOR	ALLUMEUR	-	-	-	-	1	1	1
18.	S15500	ELECTRODE	ELECTRODE	1	1	1	1	1	1	1
21.	10440-K50	CONTROL ASSY LP	SOUPAPE, (GAZ PROPANE)	1	-	-	-	-	-	-
	10440-K51	CONTROL ASSY NG	SOUPAPE, (GAZ NATUREL)	-	1	-	-	-	-	-
	10440-R52	CONTROL ASSY LP	SOUPAPE, (GAZ NATUREL)	-	-	1	-	-	-	-
	10440-R53	CONTROL ASSY NG	SOUPAPE, (GAZ NATUREL)	-	-	-	1	-	-	-
	10442-R54	CONTROL ASSY LP	SOUPAPE, (GAZ PROPANE)	-	-	-	-	1	-	1
	10442-R55	CONTROL ASSY NG	SOUPAPE, (GAZ NATUREL)	-	-	-	-	-	1	-
21A.	S13467-091	HOSE - SIDE BURNER LP	TUYAU DU BRULEUR LATERAL PL	-	-	-	-	1	-	1
	S13467-132	HOSE - SIDE BURNER NG	TUYAU DU BRULEUR LATERAL GN	-	-	-	-	-	1	-
	Y-11230	COTTER PIN	ATTACHE DE CHEVILLE	-	-	-	-	1	1	1
21B.	10110-93	HOSE - REARBURNER	TUYAU DE BRULEUR ARRIERE	-	-	1	-	1	1	1
22.	10114-17	HOSE & REGULATOR LP - QCC1	TUYAU ET REGULATEUR PL - QCC1	1	-	1	-	1	-	1
	10111-K47	HOSE NATURAL GAS	TUYAU (GAZ NATUREL)	-	1	-	1	-	1	-
23.	10472-K37	CONTROL KNOB	BOUTON DE CONTROLE	2	2	3	3	4	4	4
30.	10086-R501	DECO PLATE	PLAQUE DECORATIVE	1	1	-	-	-	-	-
	10086-R521	DECO PLATE	PLAQUE DECORATIVE	-	-	1	1	-	-	-
	10086-R531	DECO PLATE	PLAQUE DECORATIVE	-	-	-	-	1	1	1
31.	10194-K501	CONTROL COVER	PANNEAU DE CONTROLE	1	1	1	1	1	1	1
33.	10338-K581	POST WHEEL	PIEDS DE ROUE	4	4	4	4	4	4	4
35.	10184-K561	SUPPORT - CASTING - LEFT	SUPPORT GAUCHE DU FOYER	1	1	1	1	1	1	1
36.	10184-K571	SUPPORT - CASTING - RIGHT	SUPPORT DROIT DU FOYER	1	1	1	1	1	1	1
37.	10184-K581	SUPPORT - SIDE SHELF - LEFT	SUPPORT TABLETTE DE GAUCHE	2	2	2	2	2	2	2
38.	10184-K591	SUPPORT - SIDE SHELF - RIGHT	SUPPORT TABLETTE DE DROITE	2	2	2	2	2	2	2
39.	10956-K501	BRACE - UPPER REAR	SUPPORT ARRIERE	1	1	1	1	1	1	1
40.	10711-K521	SHELF - LOWER	TABLETTE INFERIEURE	1	1	1	1	1	1	1
46.	S17105	BRACKET - CYLINDER LP	SUPPORT DU RESERVOIR PL	1	-	1	-	1	-	1
49.	10711-K541	CONDI - BIN	CONDI - BIN	1	1	1	1	1	1	-
	10711-K74	CONDI-BIN SS	CONDI-BIN AI	-	-	-	-	-	-	1
50.	10711-K551	SHELF - SIDE	PLANCHETTE LATERALE	2	2	2	2	1	1	1
51.	10711-K70	SHELF - SIDE SS	PLANCHETTE LATERALE AI	-	-	-	-	-	-	1
52.	10228	TOOL HOOKS		-	-	-	-	-	-	4
53.	S16144	SHELF BOARD - FRONT	PLANCHETTE AVANT	1	1	1	1	1	1	1
53A	S16144-2	SHELF BOARD - FRONT	PLANCHETTE AVANT	1	1	1	1	1	1	-
54.	10088-35B	CANVAS FRONT PANEL	PANNEAU AVANT	1	1	1	1	1	1	1
55.	10184-K631	FRONT PANEL BRACKET	SUPPORT POUR PANNEAU AVANT	2	2	2	2	2	2	2
56.	10892-8	WHEEL	ROUE	2	2	2	2	2	2	2
57.	10156-K55	HEAT SHIELD	ECRAN	1	1	1	1	1	1	1
65.	S13009	BURNER ROTISSERIE	BRULEUR A ROTISS	-	-	1	1	1	1	1
68.	S21362	SPRING	RESSORT	-	-	1	1	1	1	1
70.	Y-11990	HEX NUT	ECROU	-	-	1	1	1	1	1
71.	10696-109	REARBURNER-ORIFICE LP	ORIFICE DU BRULEUR ARRIERE PL	-	-	1	-	1	-	1
	10696-160	REARBURNER-ORIFICE NG	ORIFICE DU BRULEUR ARRIERE GN	-	-	-	1	-	1	-
74.	Y-6616	BOLT	BOULON	2	2	2	2	2	2	2
75.	10338-145	HANDLE	POIGNEE	2	2	2	2	2	2	2
76.	10239-6	WASHER - HANDLE	RONDELLE DE LA POIGNEE	2	2	2	2	2	2	2
78.	10892-14	CASTER	ROULETTES	2	2	2	2	2	2	2
79.	Y-11984	CARRIAGE BOLT - 1/4:20 X 1 5/8	BOULON - 1/4:20 X 1 5/8	4	4	4	4	4	4	4
80.	Y-11549	BOLT - 1/4:20 X 1-7/8	BOULON - 1/4:20 X 1-7/8	16	16	16	16	16	16	16
80A.	S21017	SCREW - 1/4:20 X 1 3/4	VIS - 1/4:20 X 1 3/4	8	8	8	8	8	8	8
81.	Y-11982	SCREW THUMB 1/4:20 X 1 3/4	VIS - 1/4:20 X 1 3/4	2	2	2	2	2	2	2

<u>KEY #</u>	<u>ITEM #</u>	<u>DESCRIPTION</u>	<u>DESCRIPTION</u>	<u>5713-4</u>	<u>5713-7</u>	<u>5735-4</u>	<u>5735-7</u>	<u>5745-4</u>	<u>5745-7</u>	<u>5747-4</u>
82.	Y-12860	SCREW - 1/4:20 X 1"	VIS - 1/4:20 X 1"	4	4	4	4	4	4	4
83.	S21141	CARRIAGE BOLT - 1/4:20 X 5/8	BOULON - 1/4:20 X 5/8	1	0	1	0	1	0	1
84.	S21017	SCREW - 1/4:20 X 1 3/4	VIS - 1/4:20 X 1 3/4	6	6	6	6	6	6	6
85.	S21255	WASHER	RONDELLE	3	2	3	2	3	2	3
86.	Y-12656	PLUG - BUTTON	BOUCHON	2	2	2	2	2	2	2
87.	Y-11793	NUT - 1/4	ECROU - 1/4	14	14	14	14	14	14	14
88.	Y-11598	NUT WING - 1/4	ECROU PAPILLON - 1/4	19	18	19	18	19	18	19
89.	Y-11212	NUT TINNEMAN - 1/4	ECROU TINNEMAN - 1/4	6	6	6	6	6	6	6
90.	Y-11211	LOCK WASHER	RONDELLE / DE BLOCAGE	4	4	4	4	4	2	4
97.	10240-13	WHEEL BOLT	ROUE BOULON	2	2	2	2	2	2	2
98.	S21124	SCREW - 8 X 1/2	VIS - 8 X 1/2	22	22	22	22	20	20	20
99.	Y-12646	SCREW - SHOULDER	VIS	4	4	4	4	4	4	4
101.	Y-12853	WASHER - #8	RONDELLE - #8	4	4	4	4	4	4	4
104	Y- 12835	SCREW 6-32 X 1/4	VIS - 6-32 X 1/4	*	*	*	*	5	5	5
105.	Y-29307	NUT - 10:24	ECROU - 10:24	*	*	*	*	5	5	5
108.	PB20-60	LID HANDLE	POIGNEE	*	*	*	*	1	1	1
109.	S21136	SCREW - 8-32 X 3/8	VIS - 8-32 X 3/8	*	*	*	*	2	2	2
110.	10225-T10	GRID	GRILLE	*	*	*	*	1	1	1
111.	10390-E10	SIDE BURNER	BRULEUR DE COTE	*	*	*	*	1	1	1
113.	10342-T12	ELECTRODE - SIDE BURNER	ELECTRODE - BRULEUR DE COTE	*	*	*	*	1	1	1
114.	10393-K40	COVER - SIDE BURNER	COUVERCLE LATÉRAL	*	*	*	*	1	1	1
115.	Y-29305	BOLT - 10:24 X 3/8	BOULON - 10:24 X 3/8	2	2	4	4	8	8	8
117.	10393-R50	SHELF-SIDE BURNER	SUPPORT DE BRULEUR DE COTE	*	*	*	*	1	1	1
120.	S15117	GREASE PAN HOLDER	PORTE CONTENANT À GRAISSE	1	1	1	1	1	1	1
121.	S15118	GREASE PAN	CUVETTE À GRAISSE	1	1	1	1	1	1	1
122.	S15115	GREASE PAN - DISPOSABLE	CUVETTE À GRAISSE - J'ETABLE	2	2	2	2	2	2	2
123.	10184-D60	CASTER INSERT	EMBOU POUR ROULETTE	2	2	2	2	2	2	2

