

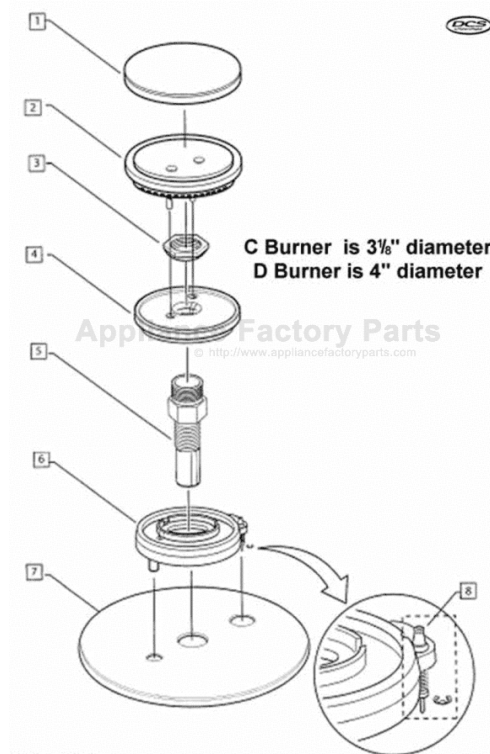
FISHER & PAYKEL

RGT-485GD

Owner's Manual

[Shop genuine replacement parts for FISHER & PAYKEL](#)
[RGT-485GD](#)

SEALED BURNER COMPONENTS



[Find Your FISHER & PAYKEL Electric Range Parts - Select From 11 Models](#)

----- Manual continues below -----



THE PROFESSIONAL RGT GAS RANGE

Parts Lists



MODEL:
RGT-485GD

PRODUCT CODE:
70710



PRODUCT

Brand	DCS
Voltage	110V 60Hz
Model	RGT-485GD
Product Code	70710

Fisher & Paykel Appliances
5900 Skylab Road, Huntington Beach
CA 92647
Customer Care: (888) 281-5698
Fax: (714) 372-7003
www.dcsappliances.com
support@dcsappliances.com

COPYRIGHT® FISHER & PAYKEL LTD 2006 - ALL RIGHTS RESERVED

CONTENTS

SEALED BURNER COMPONENTS	6
CONVECTION COMPONENTS.....	8
GRIDDLE COMPONENTS.....	10
LOWER GAS TRAIN COMPONENTS	12
BURNER HANGER COMPONENTS.....	14
MANIFOLD COMPONENTS	16
VALVE PANEL COMPONENTS	18
12" OVEN COMPONENTS	20
27" OVEN COMPONENTS	22
INNER STRUCTURE COMPONENTS	24
OUTER STRUCTURE COMPONENTS.....	26
FLUE COMPONENTS	28
12" DOOR COMPONENTS.....	30
27" DOOR COMPONENTS.....	32
INSULATION COMPONENTS	34
WIRING DIAGRAM	36
WIRING SCHEMATIC.....	37

GUIDE TO USING THIS MANUAL

The model covered by this manual is listed on the front cover.

The information detailed in this manual is subject to change without notice. The latest version is indicated by the reprint date and replaces any earlier editions.

The front cover picture shows the type of product and may not necessarily be an exact image of the model covered by the manual.

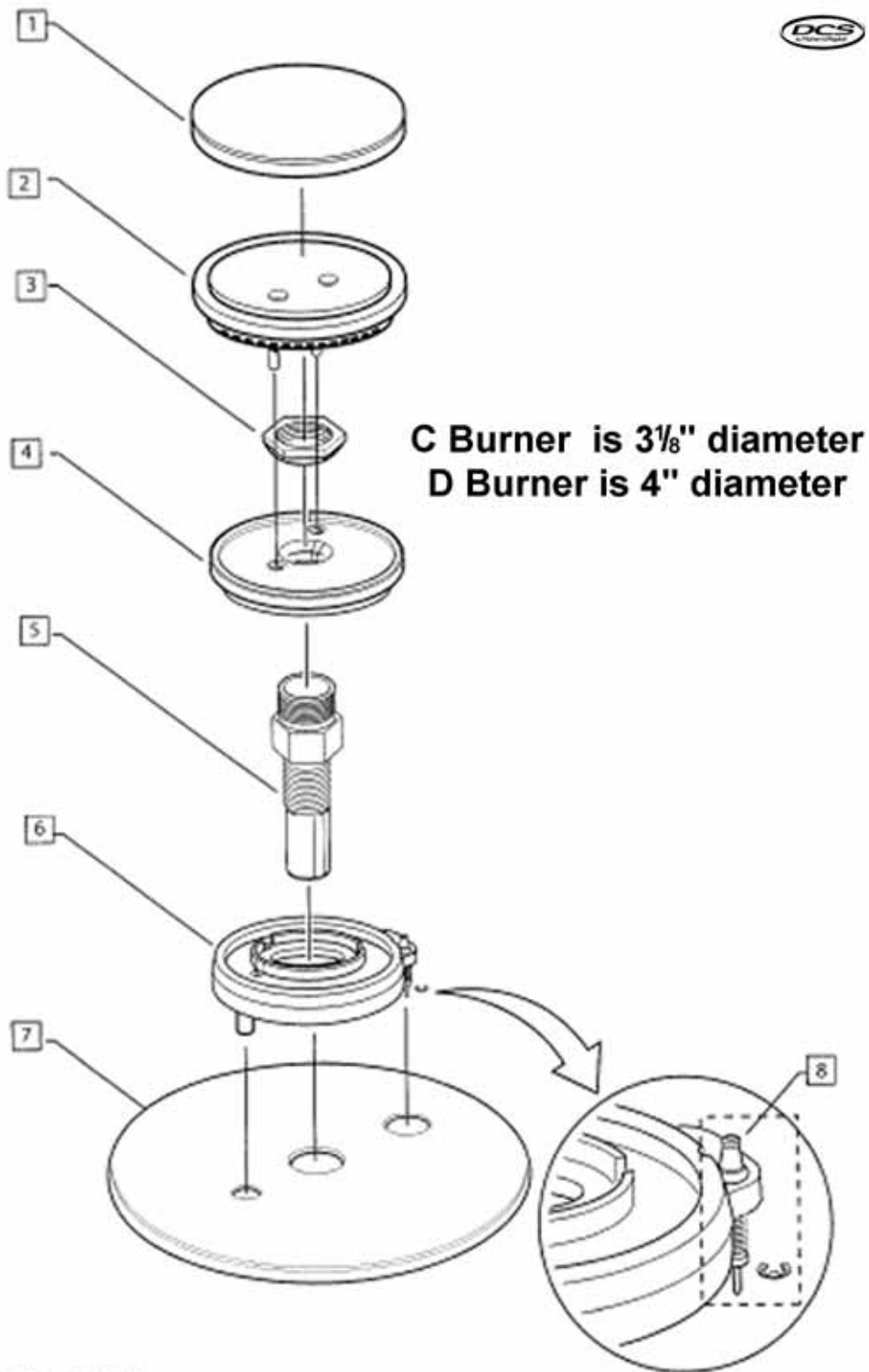
Kit Parts

Kit components are shown in *italics*. Where a part number is shown against the descriptions for these kit components, they are also available as separate items. In addition, some parts may be supplied with these kits that are not available as separate items, and are therefore either not listed, or a part number is not shown against the part description in this manual.

Parts List Key

<i>italics</i>	Kit components or parts included are shown in <i>italics</i> . Refer to above notes: Kit Parts.
NI	As a part reference, indicates the part is not illustrated on the diagram.
NOT USED	As a part number, indicates the diagram part reference is not used in this manual.

SEALED BURNER COMPONENTS

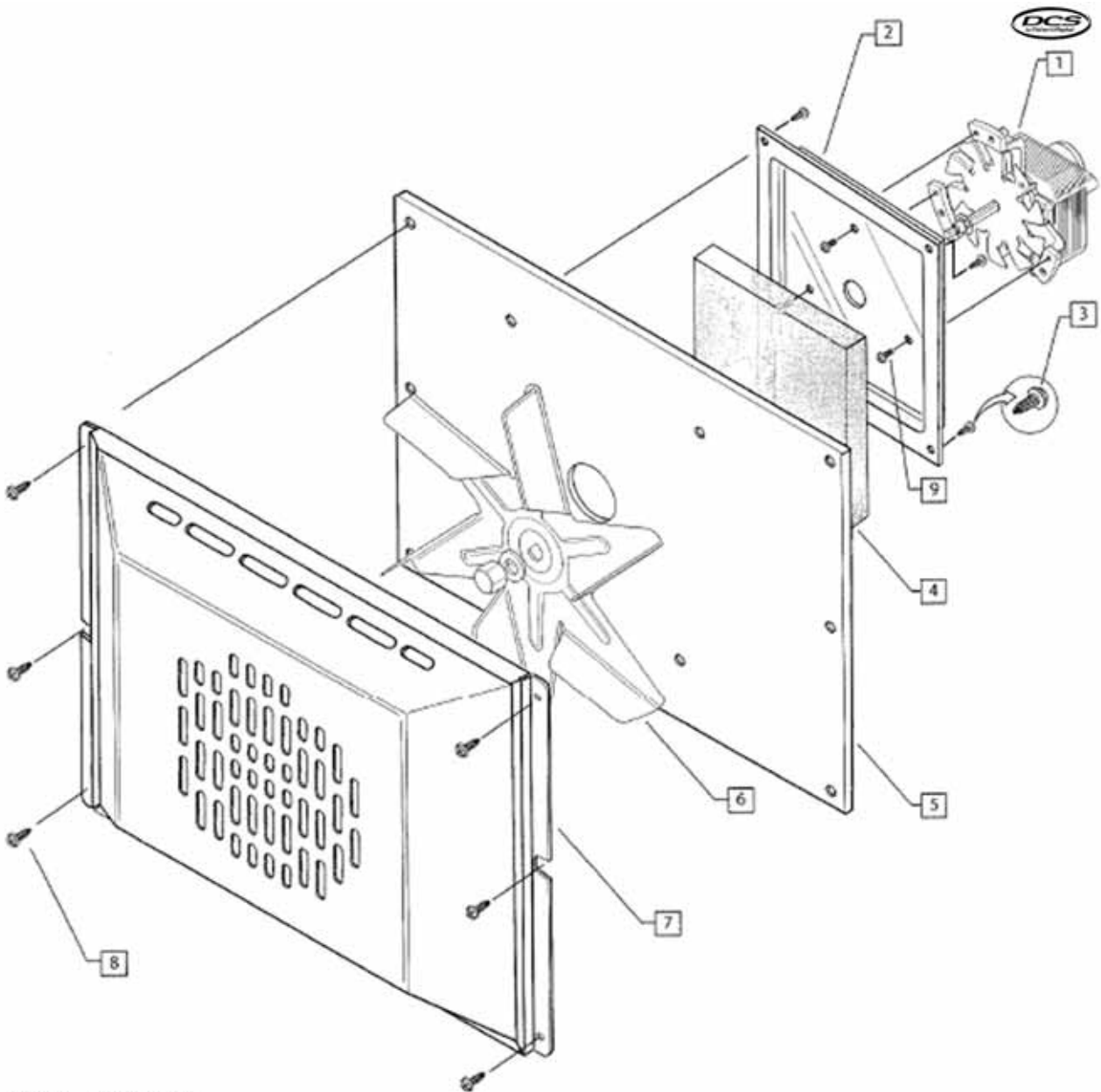


DWG000504 6 JUNE 2006

SEALED BURNER COMPONENTS

REF	PART	DESCRIPTION
1	210608	D BURNER CAP
	210609	C BURNER CAP
2	237631	RING, D-PORT ASSY
	237629	RING, C-PORT ASSY
3	211526	NUT W/CHAMFER
4	210636	D SIMMER RING
	210635	C SIMMER RING
5	210913	VENTURI W/CHAMFER
6	220449	D BURNER BASE W/CHAMFER
	220445	C-BURNER BASE, ELECTRODE
7	216694	VOLCANO PORC.
	238177	VOLCANO EI C BURNER, PORC
8	217994	KIT IGNITOR, SPRING AND CLIP

CONVECTION COMPONENTS

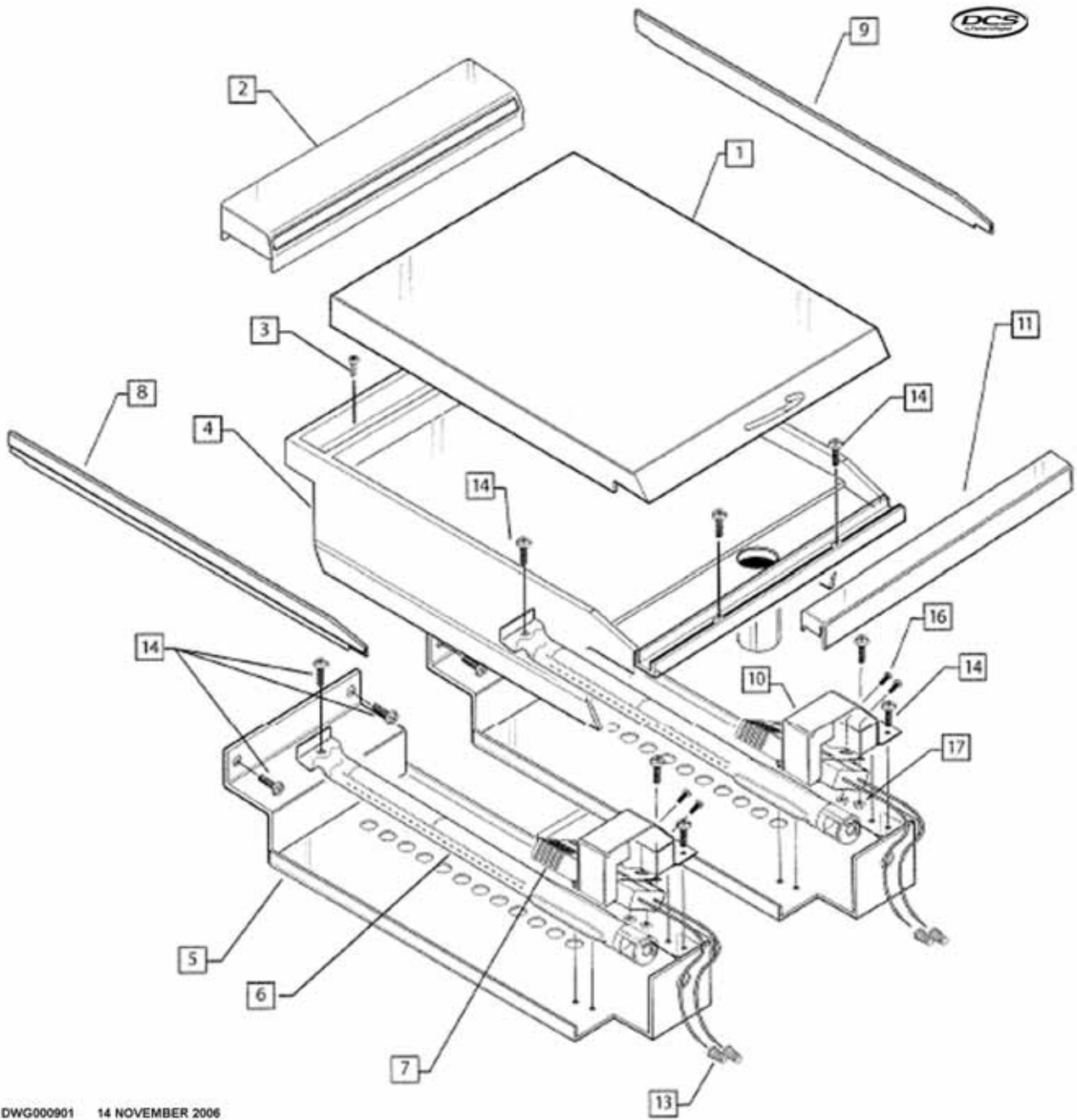


DWG000807 13 NOVEMBER 2006

CONVECTION COMPONENTS

REF	PART	DESCRIPTION
1	238604	CONV. MOTOR 120V (SLOW)
2	237719	CONVECTION PAD
3	211238	SM 10 X 1/2 SL TD HWH SMS, ZIN
4	216014	INSUL MOTOR PAD RG304
5	237728	COVER, INSUL MOTOR 27" OVEN
6	238604	CONV. MOTOR 120V (SLOW)
7	238605	COVER, CONV. FAN DCS PORC.
8	211233	MS 10X1/2 PH TR HD TY AB BK OX
9	211245	MS 10-24X 1/2 PH TR TY 23 SS

GRIDDLE COMPONENTS

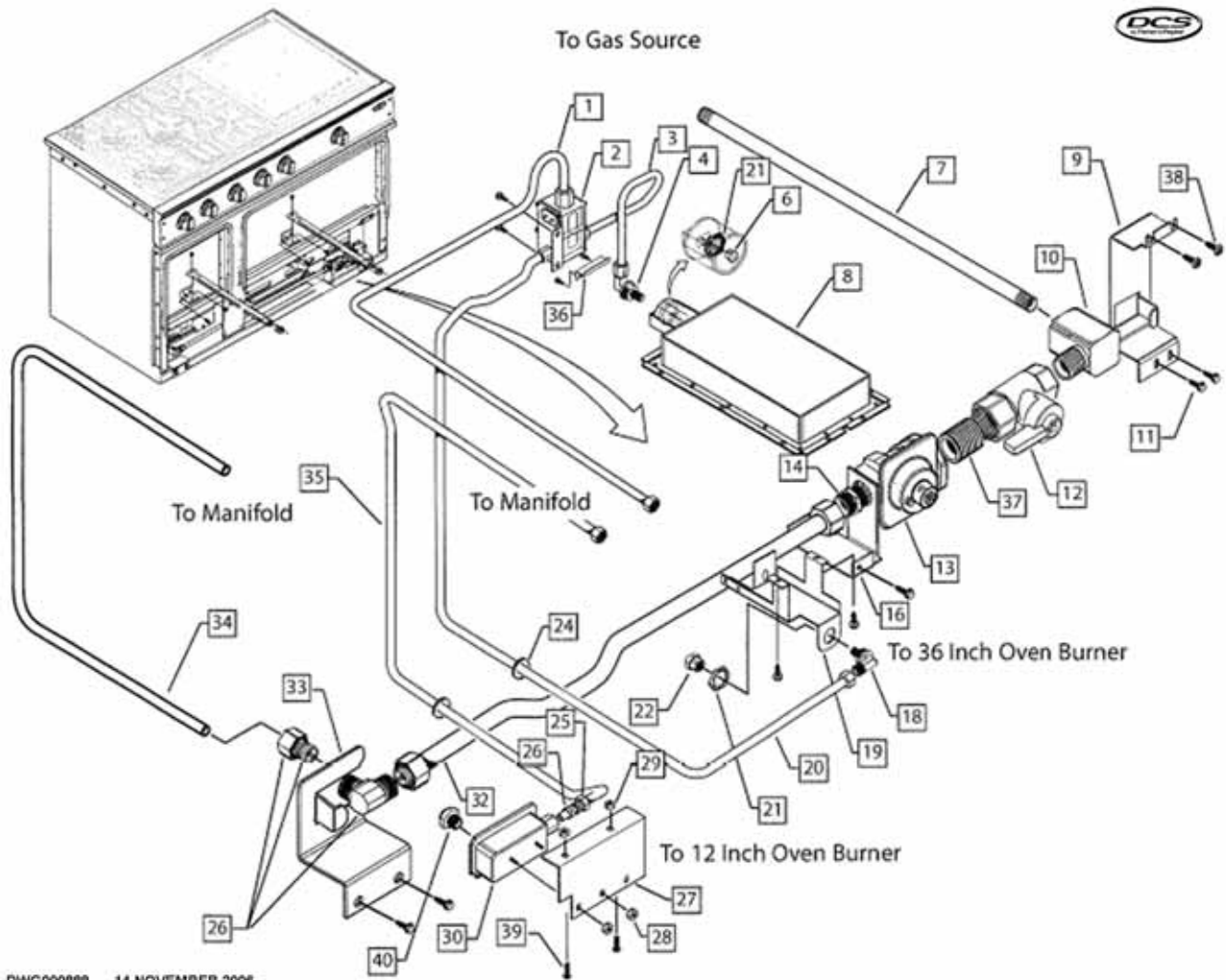


DWG000901 14 NOVEMBER 2006

GRIDDLE COMPONENTS

REF	PART	DESCRIPTION
1	238725	COVER, GRIDDLE ASSEMBLY 17"
2	238610	FLUE COVER GD17" CAST RD/RG485
3	211287	MS 10-24 X 3/4 PH TR HD SS
4	216939	GRIDDLE PLATE W/A
5	231858	GRIDDLE BAFFLE RDS36/48
6	210331	BURNER BROIL.& GRID. 18
7	211541	IGNITER - (SMALL)
8	237934	TRIM, GRIDDLE, LEFT
9	237940	TRIM, SHORT, RIGHT GRIDDLE
10	222963	GRIDDLE IGNITER BRACKET
11	238038	TRIM, FRONT GRIDDLE, 17"
13	238096	UNIVERSAL WIRE NUT
14	211241	SMS 10-24X 1/2 PH TR TY 23 ZI
16	211278	MS 10-24 X 3/8 PH TR HD SS
17	211394	NUT HEX 10-24 KEPS SS

LOWER GAS TRAIN COMPONENTS



DWG000888 14 NOVEMBER 2006

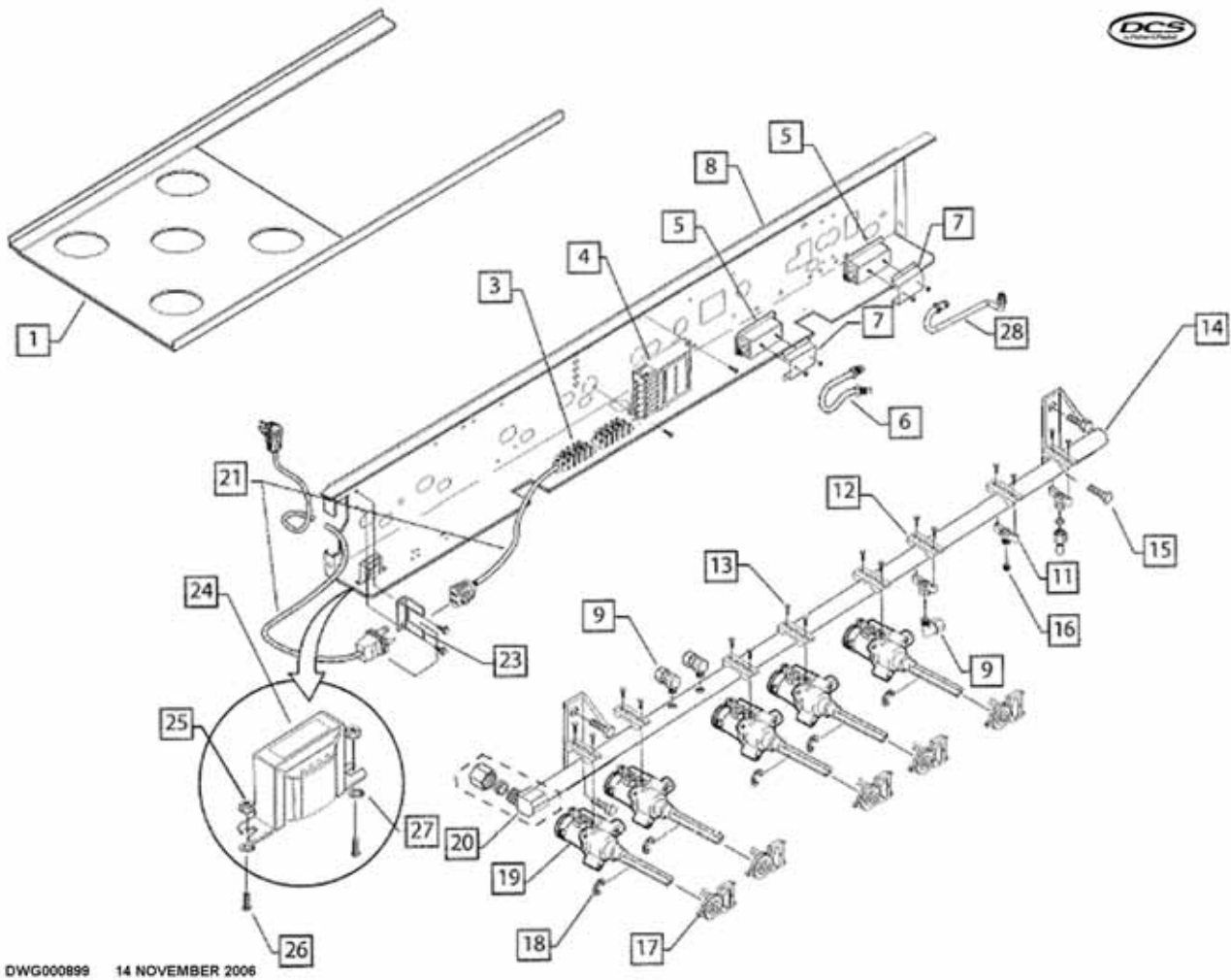
LOWER GAS TRAIN COMPONENTS

REF	PART	DESCRIPTION
1	239286	TUBING MAN. DUAL VALVE, RG4
2	210782	DUAL THERMAL GAS VALVE
3	216515	TUBING CUT 13.125 LONG
4	212344	ORIFICE HOLDER BROILER NAT
5	211418	NUT PAL 3/4-16 REPLACEMANTPART
6	210683	ORIFICE #47
	210691	ORIFICE #55 GRILL
7	212125	INTAKE PIPE 22.00
8	214645	I/R BURNER - ASSY.
9	232607	HOLDER ELBOW BRACKET
10	221963	ELBOW 90° 1/2 M X 1/2 F
11	211238	SM 10 X 1/2 SL TD HWH SMS, ZIN
12	212167	SHUT OFF VALVE-1/2
13	210663	REGULATOR LP/NG
14	212349	FITTING ASSY 5/8 TUBE
16	232633	SUPPORT GAS TRAIN BRKT.
18	212139	FITTING ELBOW 3/8-27 - 9/16-24
19	214637	BRKT IGNITER/ELB
20	230084	TUBING DUAL VALVE TO OVEN BURN
21	220834	NUT 3/4-16
22	210675	ORIFICE # 39
	210688	ORIFICE #52
24	210994	GROMMET 1/2
25	212188	COMPRESSION NUT 3/8 T.O.D
26	212189	FERRULE 3/8 T.O.D.
27	216009	12 THERMAL BRACKET
28	211396	NUT HEX 6-32 KEPS ZN
29	211278	MS 10-24 X 3/8 PH TR HD SS
30	210803	SINGLE THERMAL VALVE (18K) NAT
32	216925	TUBING BOTTOM RGS48
33	216774	BRACKET ELBOW SUPPORT
34	238721	TUBING MAN-REG RGT 48
35	239285	TUBING, MANIFOLD 12" OVEN RG48
36	214657	AIR SHUTTER
37	212123	1/2 NPT CLOSE NIPPLE BLACK
38	211242	MS 10-24X 1/2 PH PN TY F SS
39	211394	NUT HEX 10-24 KEPS SS
40	210684	ORIFICE #48 # 9701B1648
	210691	ORIFICE #55 GRILL

BURNER HANGER COMPONENTS

REF	PART	DESCRIPTION
1	216876	TUBING MAIN REAR RDS36/48
2	216877	TUBING SIMMER REAR RDS36/48
3	216875	TUBING SIMMER FRONT RDS36/48
4	210538	JET HOLDER MAIN D 16K NAT
	220443	JET HOLDER MAIN 15K LP S/F BNR
5	210297	5/16 TUBE ASSY MAIN CENTER
6	216874	TUBING MAIN FRONT RDS36/48
7	232626	BURNER HANGER RDS36/48
8	210300	3/16 TUBE ASSY SIMMER CENTER
9	210588	JET HOLDER SIMMER NAT #74
	210589	JET HOLDER SIMMER LP #79
10	232615	HANGER CENTER BURNER
11	210535	JET HOLDERS C 12K
	210542	JET HOLDER MAIN 12K LP SINGLE
12	211502	NUT SIMMER JET HOLDER
13	210468	NUT M22 JET HOLDER
14	210594	GRATE SIDES RGSC305
15	210596	GRATE CENTER RGSC305
16	211146	FOOT GRATE
17	211238	SM 10 X 1/2 SL TD HWH SMS, ZIN

MANIFOLD COMPONENTS

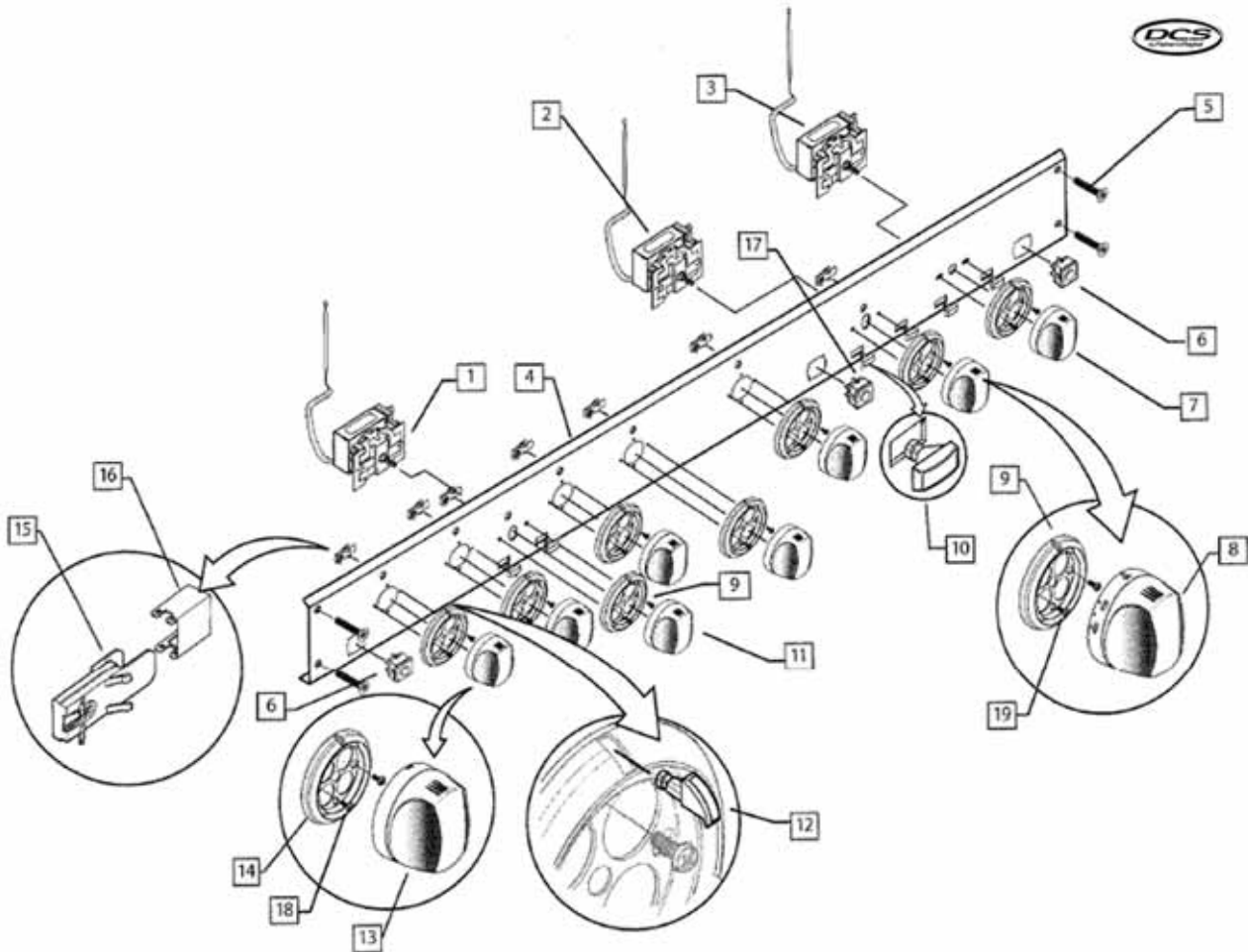


DWG000899 14 NOVEMBER 2006

MANIFOLD COMPONENTS

REF	PART	DESCRIPTION
1	237938	COOKTOP INNER RDS/RGS/CS 485GD
3	211540	TERMINAL BLOCK
4	211840	RE-IGNITER (5 CIRCUIT)
5	210803	SINGLE THERMAL VALVE (18K) NAT
6	241411	TUBE GRIDDLE L/H SIDE
7	216946	BRACKET THERMAL VALVE
8	237740	BAFFLE, FRONT, RD/RG 48
9	212122	ELBOW 3/8 T.O.D - 1/8 NPT (M)
11	211519	ADAPTER MANIFOLD TO 1/8 F NPT
12	210506	CLAMP VALVE
13	211342	HEX HD BOLT 10-32 X 1 FULL ZN
14	238757	MANIFOLD 48", W/A
15	211323	HEX BLT 1/4-20X 1/2 FULL TH SS
16	211379	PIPE PLUG 1/8 HEX COUNTERSUNK
17	211804	SWITCH IGNITOR
18	210508	C-CLIP VALVE STEM
19	210896	VALVE DUAL FLOW 6 NAT
	240445	VALVE DUAL FLOW LP
20	221908	ELBOW 90° 1/2 NPT TO 5/8 TUBE
21	211592	POWER CORD ASSY
23	238271	BRACKET, RECEPTICAL
24	238382	TRANSFORMER, 120/230V, 30ma
25	211396	NUT HEX 6-32 KEPS ZN
26	211270	MS 6-32 X 1/2 PH PN HD ZN
27	211517	WASHER FELT 1/2 OD-1/8 ID-.06
28	239513	TUBING GRIDDLE, RG/RD-485GD
NI	238322	MAIN OVEN HARNESS RGT 36 / 48
NI	238321	12 OVEN HARNESS RGT 48
NI	238324	GRIDDLE HARNESS RGT 36
NI	238685	485 IGNITER WIRES
NI	238424	DOUBLE GRIDDLE HARNESS, RGT 48

VALVE PANEL COMPONENTS

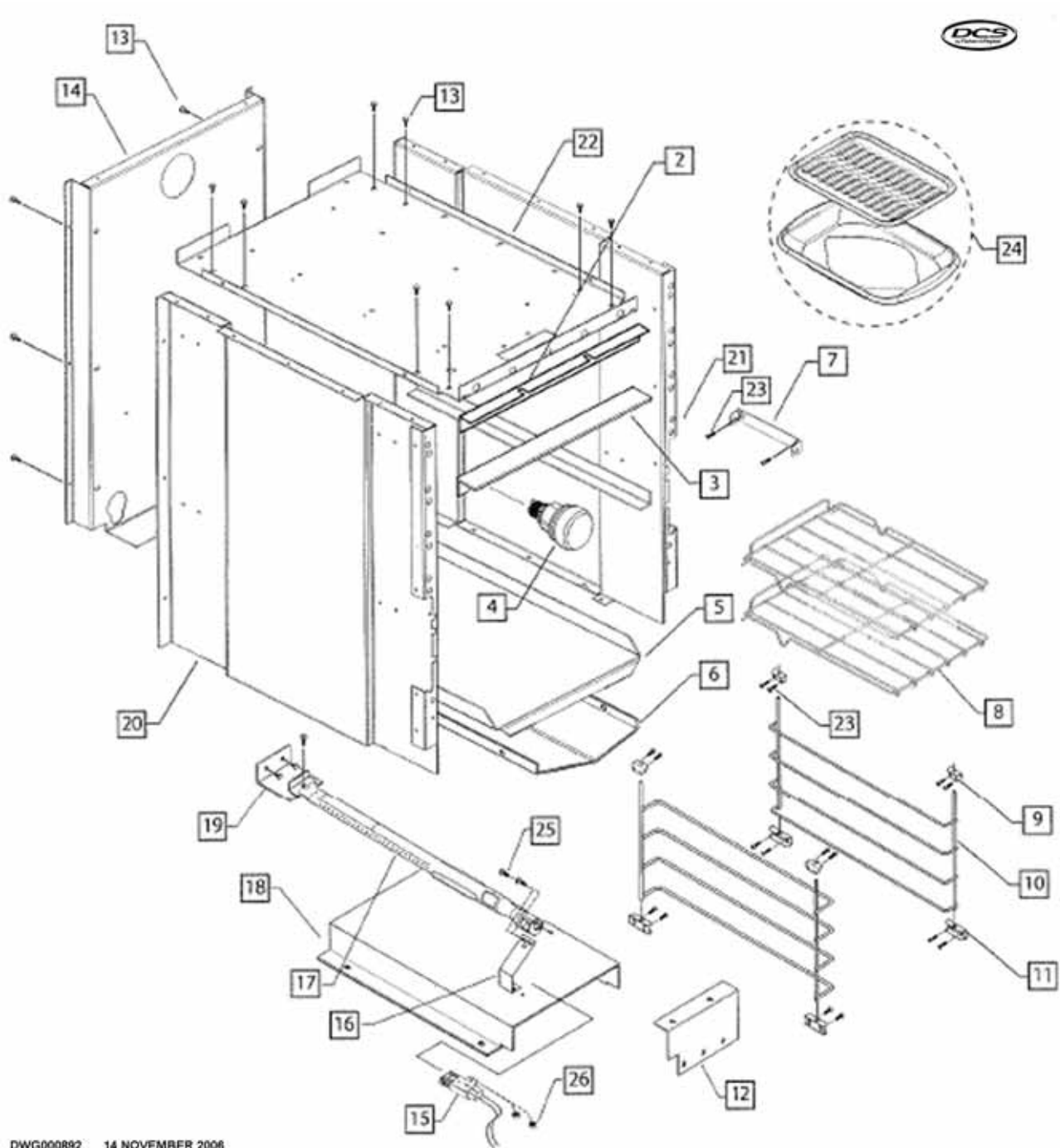


DWG000900 14 NOVEMBER 2006

VALVE PANEL COMPONENTS

REF	PART	DESCRIPTION
1	238753	RGT 12 OVEN T-STAT
2	238752	RGT 36 / 48 OVEN T-STAT
3	238017	GRIDDLE T-STAT
4	238204	PANEL, ETCHED VALVE, RGS-485GD
5	211300	SCREW 8-32 X 1 TORX FL HD
6	211625	LIGHT SWITCH
7	237780	KNOB-SKIRT ASSY (RD GDL)
8	240539	KNOB ASSY(RGT 24/27 OVENS)
9	237591	BEZEL, 0.375 CNTR HOLE
10	237579	LENS, INDICATOR
11	240570	KNOB-SKIRT ASSY (RGT 12" OVEN)
12	237578	LENS, BEZEL
13	240538	KNOB-SKIRT ASSY (TOP BURNERS)
14	237577	BEZEL
15	238282	MOD LIGHT PILOT 120/240V BLUE
16	238283	CLIP LIGHT PILOT DCS
17	211628	SWITCH CONVECTION FAN DPDT
18	211267	SMS 6-32 X 3/8 PH TR TYPE F SS
19	239472	MS 6-32 X 1/4" SS, PH TR HD

12" OVEN COMPONENTS

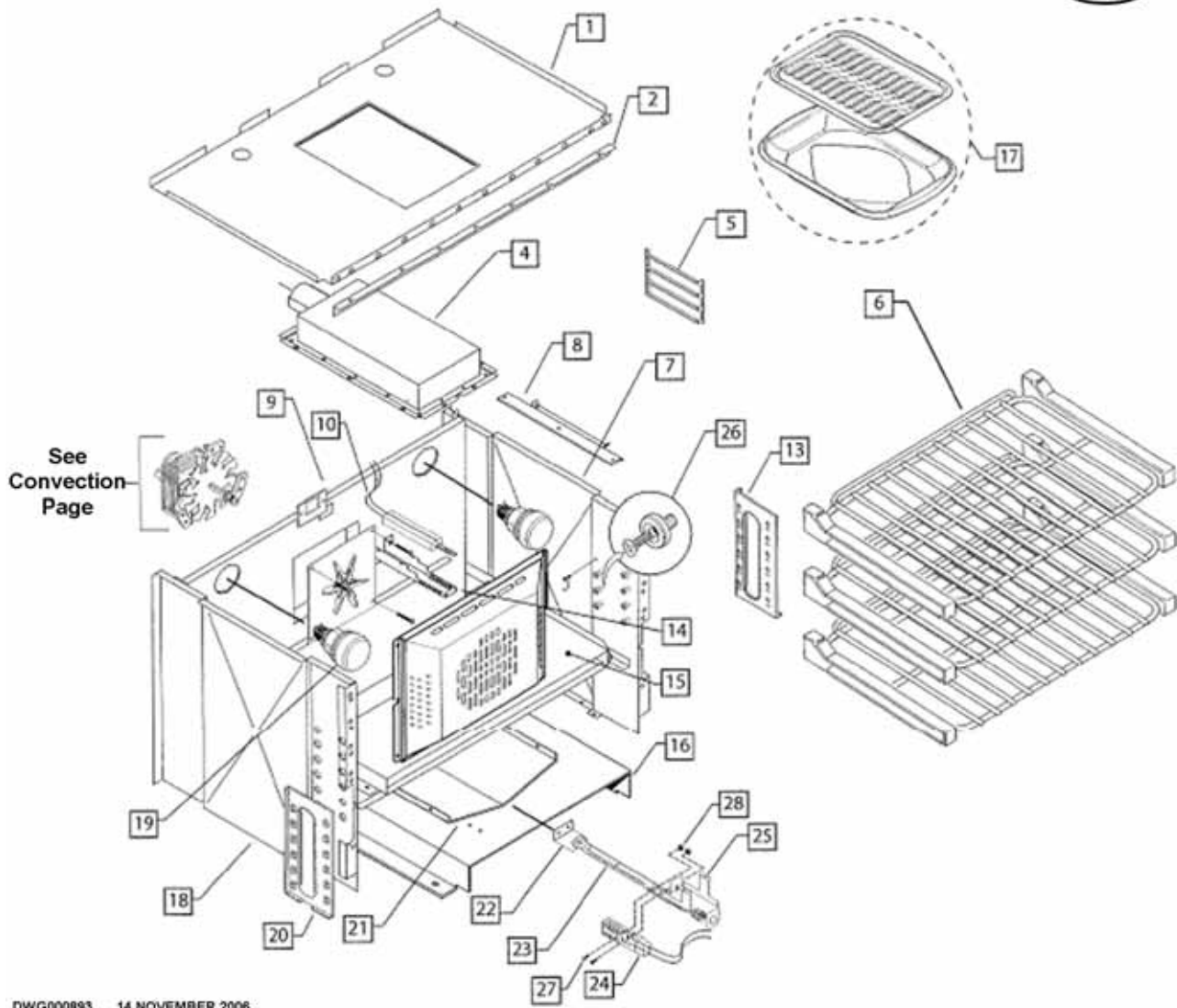


DWG000892 14 NOVEMBER 2008

12" OVEN COMPONENTS

REF	PART	DESCRIPTION
2	216022	FLUE GUARD 12 OVEN
3	230570	ANGLE BACK LINER
4	211689	OVEN LAMP ASSY
5	238196	OVEN BTM LINER W/A 12" PORC BK
6	216008	FLAME SPREADER 12 OVEN
7	214621	CAPILLARY BULB SUPPORT
8	212403	OVEN RACK-12
9	214604	BRACKET-RACK
10	212469	OVEN RACK SUPPORT
11	214655	BRACKET RACK SPRT
12	216009	12 THERMAL BRACKET
13	211238	SM 10 X 1/2 SL TD HWH SMS, ZIN
14	215668	BACK OVEN LINER 12 PORC
15	211541	IGNITER - (SMALL)
16	222963	GRIDDLE IGNITER BRACKET
17	210331	BURNER BROIL.& GRID. 18
18	225495	AIR CHANNEL 12
19	230564	BRKT OVEN BURNER 12
20	230205	SIDE LINER OVEN W/A L/H PORC
21	230203	SIDE LINER OVEN W/A R/H PORC
22	238366	OVEN LINER TOP 12"
23	211242	MS 10-24X 1/2 PH PN TY F SS
24	239038	BROILER PAN/TRAY PORC.ASSY MIN
25	211278	MS 10-24 X 3/8 PH TR HD SS
26	211394	NUT HEX 10-24 KEPS SS

27" OVEN COMPONENTS

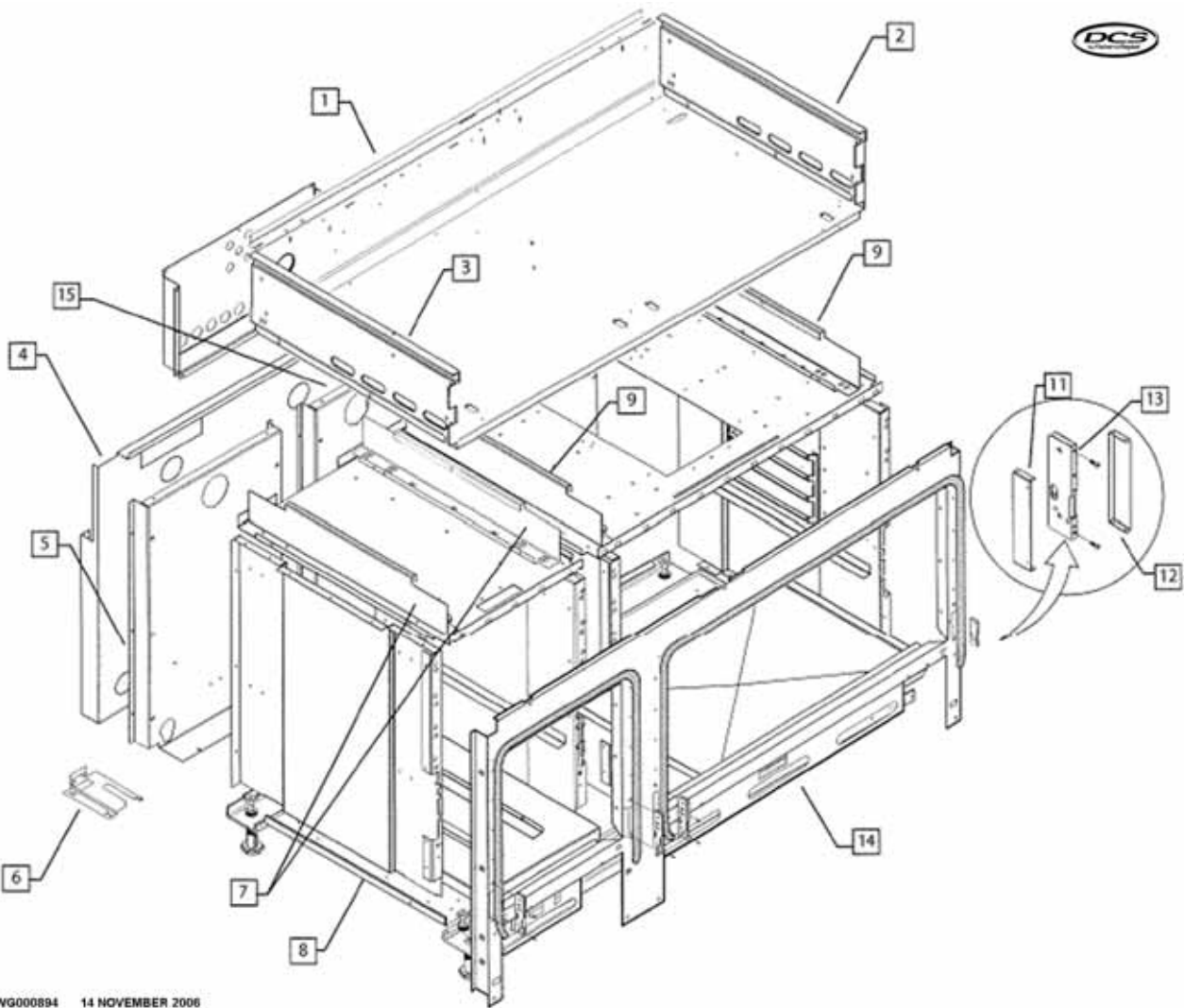


DWG000893 14 NOVEMBER 2006

27" OVEN COMPONENTS

REF	PART	DESCRIPTION
1	237605	OVEN LINER TOP 36
2	225414	FLUE GUARD BRACKET FRONT
4	214645	I/R BURNER - ASSY.
5	239041	GUIDE, RACK, RGT PORC.
6	237767	OVEN RACK W/A, 36"
7	238174	LINER SIDE W/A RH RG36/48 PORC
8	216463	BULB HOLDER
9	214656	COVER IGNITER CLAMP
10	211542	IGNITER I/R (LARGE)
13	233847	ROLLER SUPPORT UPPER R/H W/A
14	214689	CLAMP IGNITER W/A
15	238193	OVEN BTM LINER W/A 36/48 PORC
16	214654	AIR CHANNEL
17	212435	BROILER PAN/TRAY PAN PORC.
18	238173	LINER SIDE W/A LH RG36/48 PORC
19	211689	OVEN LAMP ASSY
20	233848	ROLLER SUPPORT UPPER L/H W/A
21	214650	FLAME SPREADER GCR36
22	225411	BURNER SUPPORT BRKT. GCRG36
23	210361	OVEN BURNER C.R.
24	211541	IGNITER - (SMALL)
25	214637	BRKT IGNITER/ELB
26	211090	RACK ROLLER VERTICAL
27	211279	MS 6-32 X 5/8 PH RD HD SS
28	211396	NUT HEX 6-32 KEPS ZN

INNER STRUCTURE COMPONENTS

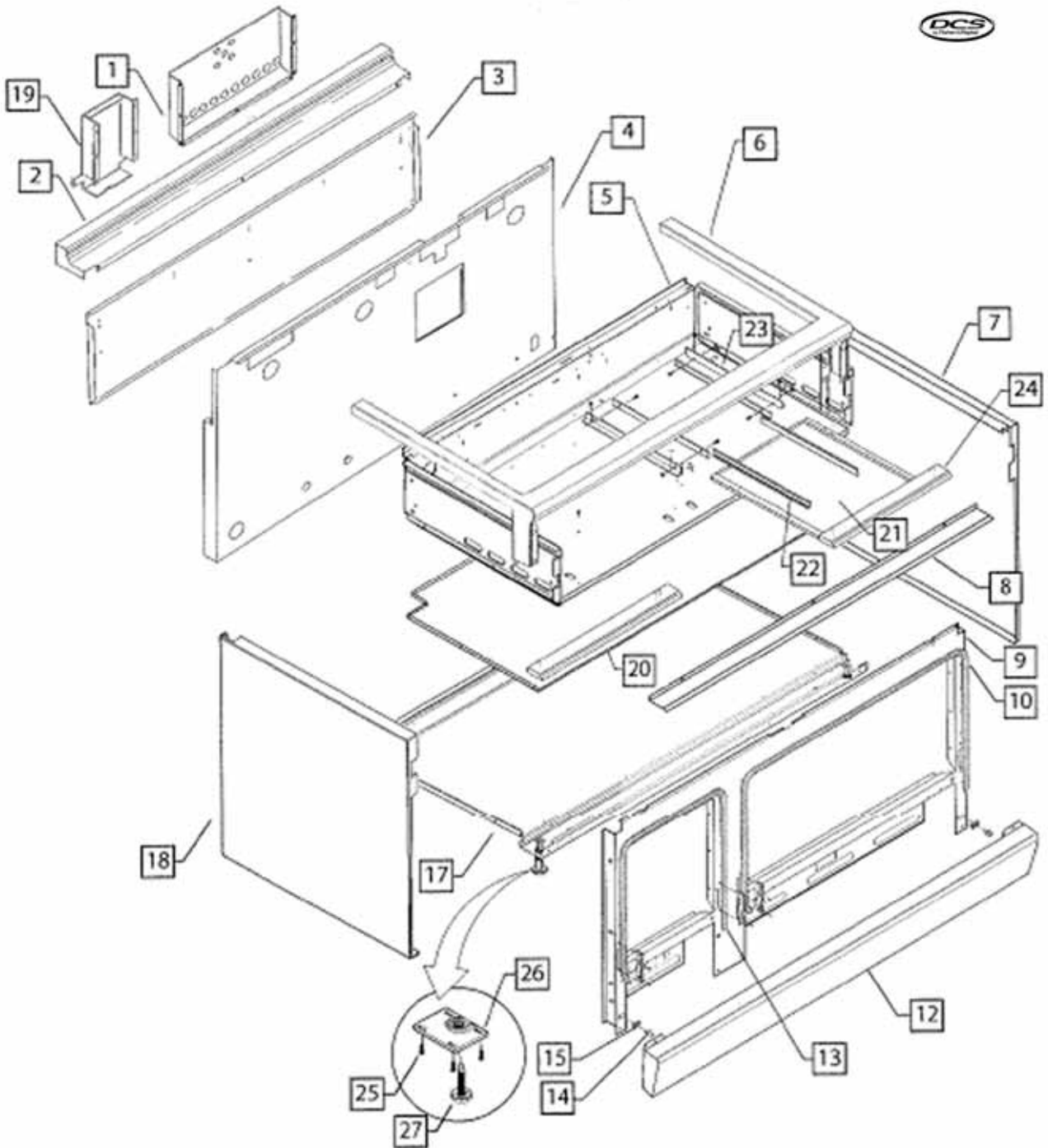


DWG000894 14 NOVEMBER 2006

INNER STRUCTURE COMPONENTS

REF	PART	DESCRIPTION
1	237930	BURNER BOX W/A 48
2	237738	SIDE, BURNER BOX 36 & 48 RIGHT
3	237739	SIDE, BURNER BOX 36 & 48 LEFT
4	237558	RETAINER, BACK INSULATION RG48
5	215668	BACK OVEN LINER 12 PORC
6	216383	ANTI-TIP BRKT W/A
7	237606	TOP BRACE 48 (12")
8	238451	BASE, RGT-48"
9	238667	BRACE, TOP RG-36 / 48
11	238136	BRACKET, HINGE
12	238137	COVER, HINGE
13	211525	RECEPTACLE HINGE
14	237880	FRAME, FRONT, RG 48
15	238147	LINER, BACK W/A RGT-36-48 PORC

OUTER STRUCTURE COMPONENTS

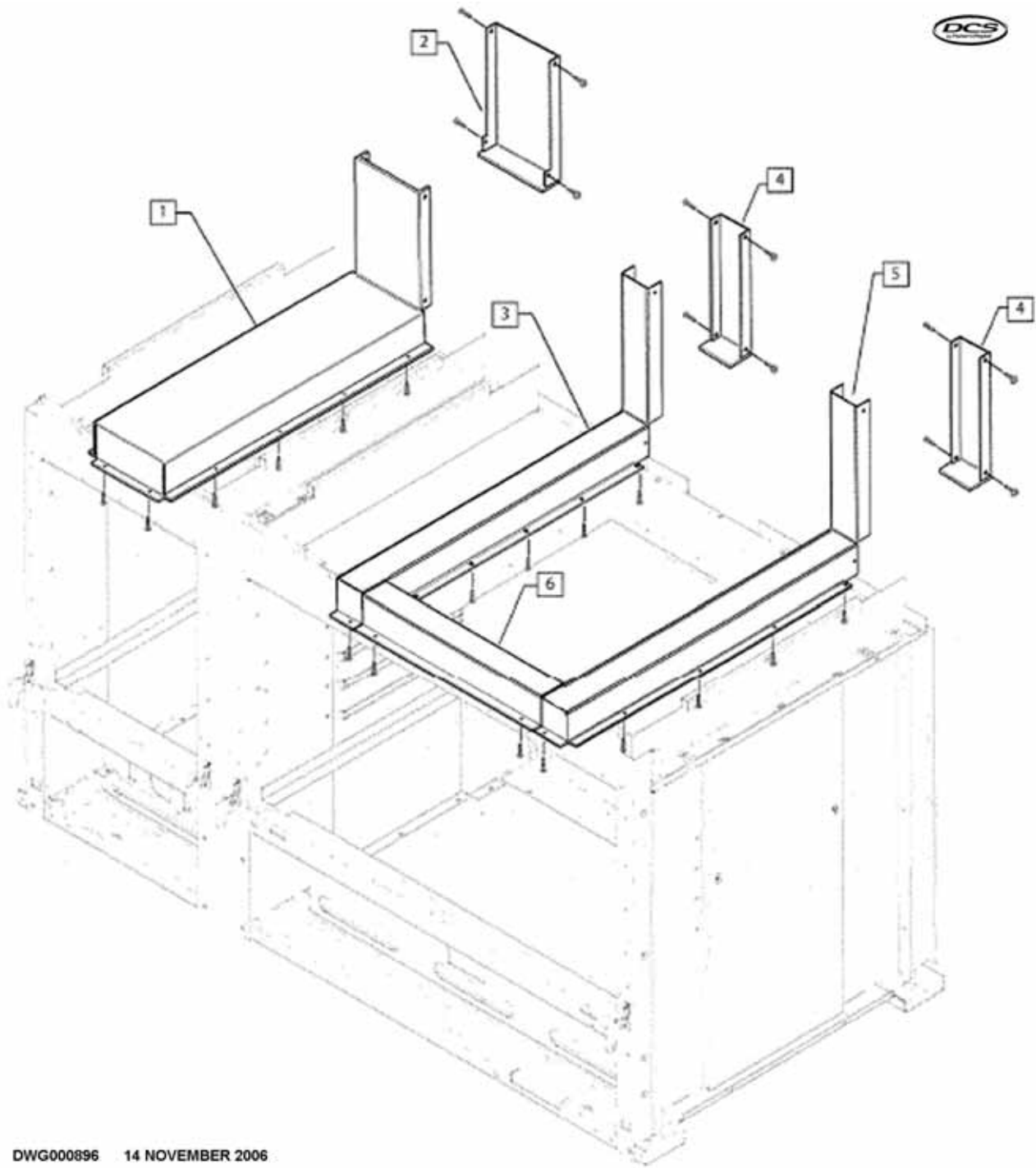


DWG000895 14 NOVEMBER 2006

OUTER STRUCTURE COMPONENTS

REF	PART	DESCRIPTION
1	216002	HOUSING MOTOR RG304/48
2	237746	TRIM, ISLAND 48
3	215974	BACK SHEET 48 ISLAND TRIM
4	237558	RETAINER, BACK INSULATION RG48
5	237930	BURNER BOX W/A 48
6	238257	LANDING LEDGE, RG/DT 48
7	238705	BODY PANEL, R/H, RGT-48
8	216021	SHIELD HEAT LOWER RG48
9	237880	FRAME, FRONT, RG 48
10	210987	30 OVEN GASKET
12	238707	PANEL, KICK, RGT 48
13	210989	GASKET 12
14	211415	STRIKE & CATCH MALE
15	211416	STRIKE & CATCH FEMALE
17	238451	BASE, RGT-48"
18	238706	BODY PANEL, L/H, RGT-48
19	216088	BACK COVER L/H RD
20	237764	HANDLE DRIP PAN RDS, RGS 48 LF
21	237765	DRIP PAN TRAY 48
22	237718	SLIDE DRIP TRAY
23	237604	SLIDE MOUNTING BRACKET
24	237763	HANDLE DRIP PAN RDS, RGS 48 RT
25	211241	SMS 10-24X 1/2 PH TR TY 23 ZI
26	216096	BASE PLATE W/A
27	212177	LEG LEVEL

FLUE COMPONENTS

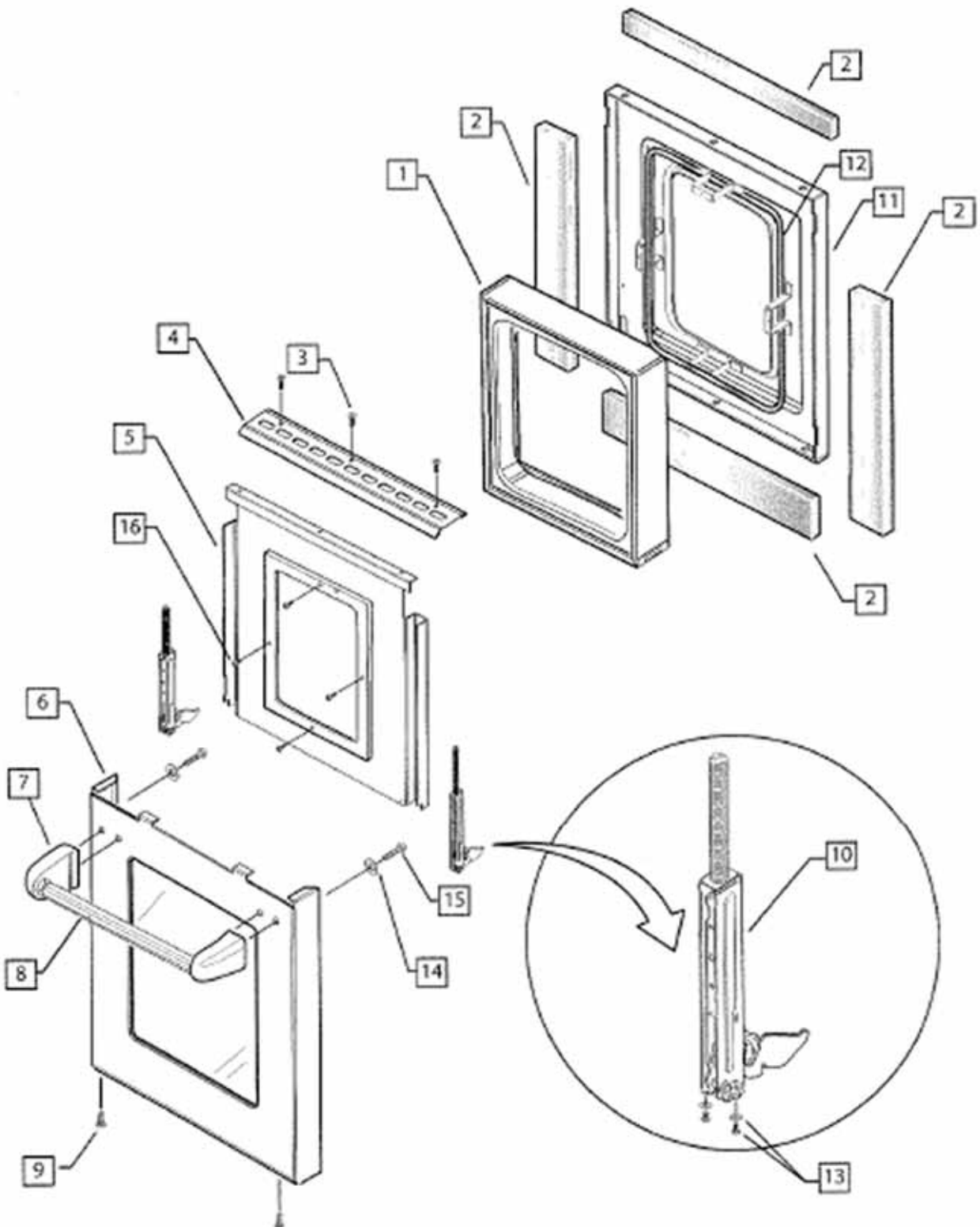


DWG000896 14 NOVEMBER 2006

FLUE COMPONENTS

REF	PART	DESCRIPTION
1	215800	FLUE CHANNEL 12 OVEN
2	215801	FLUE CHANNEL REAR 12 OVEN
3	215807	FLUE CHANNEL L/H
4	234230	REAR FLUE CHANNEL 27 OVEN
5	215808	FLUE CHANNEL R/H 27
6	214641	FRONT FLUE CHANNEL GCR36

12" DOOR COMPONENTS

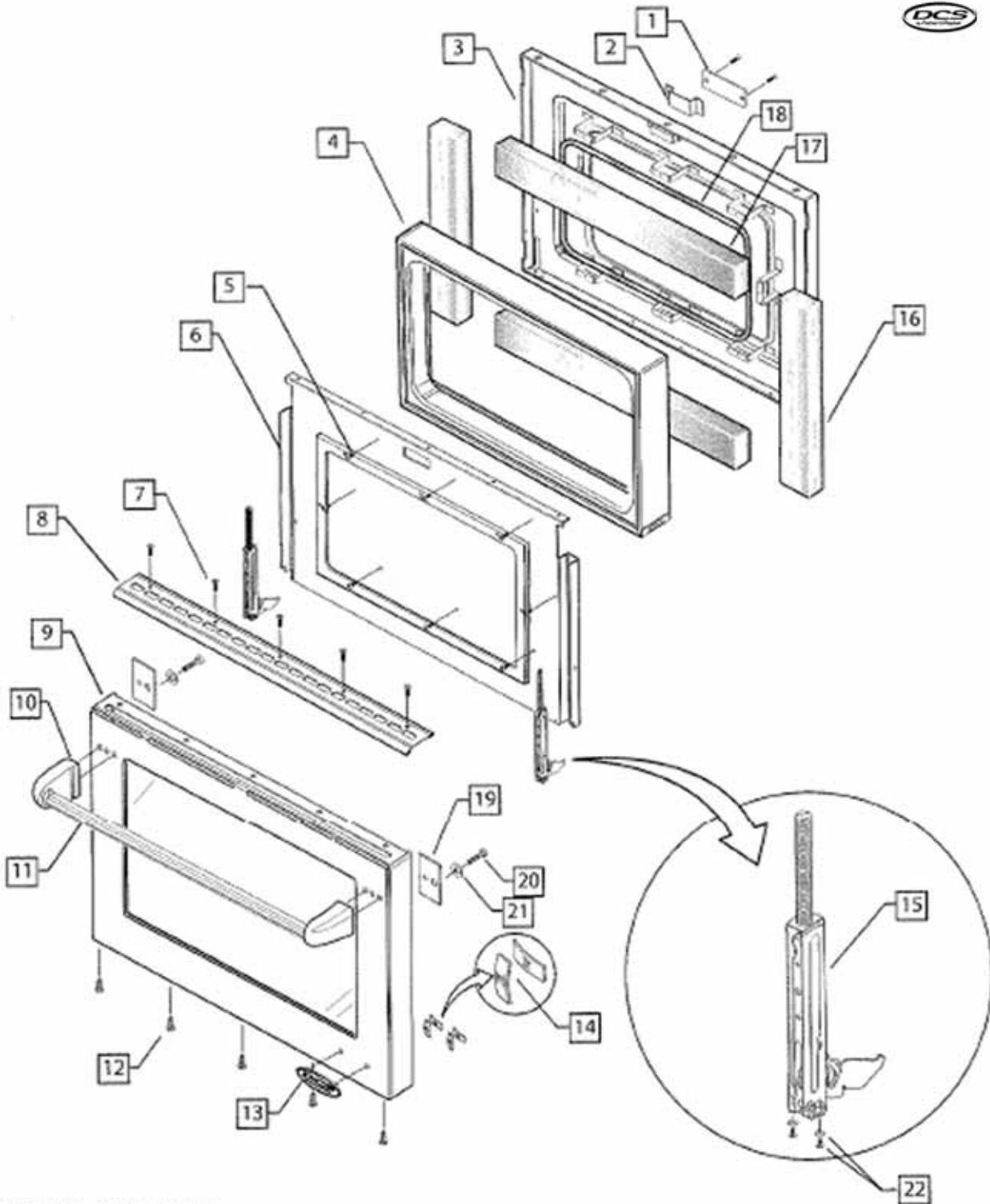


DWG000837 13 NOVEMBER 2006

12" DOOR COMPONENTS

REF	PART	DESCRIPTION
1	238674	WINDOW PACK DOUBLE 12" GLASS
2	216424	INSULATION DOOR 12 RD
3	211303	8-32 X 5/8 SS TORX SCREW FL HD
4	230684	TOP VENT 12 RD
5	237527	RETAIN, INSL ASSY (12) ZDP,RD&RGS
6	237516	PANEL, DOOR ASSY (12) RDS & RGS
7	237809	END CAP, HANDLE
8	215855	HANDLE 12
9	211241	SMS 10-24X 1/2 PH TR TY 23 ZI
10	211524	12 DOOR HINGE
11	237512	LINER DOOR PORC (12) ZDP, RD/RGT
12	210981	WINDOW GASKET
13	211527	SCREW TORX #8 32 X 3/8
14	211362	WASHER FLT ZN .250
15	211258	SM 1/4-20 X 1/2 ZN HEX WS SL F
16	211241	SMS 10-24X 1/2 PH TR TY 23 ZI

27" DOOR COMPONENTS

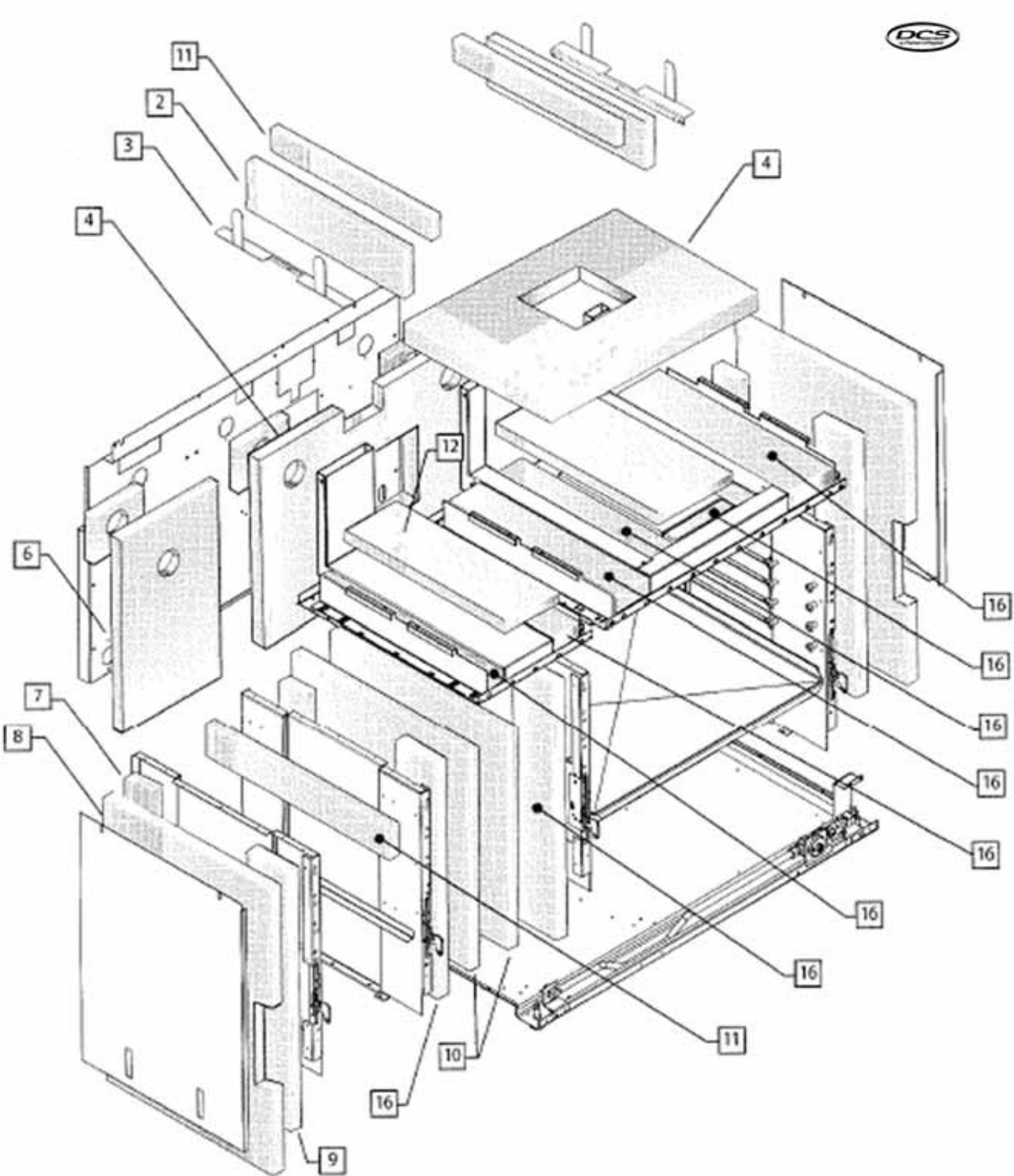


DWG000871 14 NOVEMBER 2006

27" DOOR COMPONENTS

REF	PART	DESCRIPTION
1	214594	LATCH PLATE
2	230880	DOOR LOCK BOX RD304
3	237513	LINER DOOR PORC(30) ZDP,RD/RGT
4	238673	WINDOW PACK DOUBLE GLASS
5	211241	SMS 10-24X 1/2 PH TR TY 23 ZI
6	237509	RETAINER,INSL(36/48)ZDP,RD&RGS
7	211300	SCREW 8-32 X 1 TORX FL HD
8	239017	DOOR TOP VENT 48" RGT-Graphics
9	237519	PANEL,DOOR ASSY (36/48) RD & RGS
10	237809	END CAP, HANDLE
11	215856	HANDLE 27
12	211241	SMS 10-24X 1/2 PH TR TY 23 ZI
13	237568	BADGE, 4.25"
14	211419	LOGO - CLIP
15	211522	HINGE DOOR ZDP36/48, 27" OVEN
16	216414	INSULATION CUT
17	216410	INSULATION CUT
18	210981	WINDOW GASKET
19	239347	PLATE, DOOR HANDLE MOUNTING
20	211258	SM 1/4-20 X 1/2 ZN HEX WS SL F
21	211362	WASHER FLT ZN .250
22	211527	SCREW TORX #8 32 X 3/8

INSULATION COMPONENTS

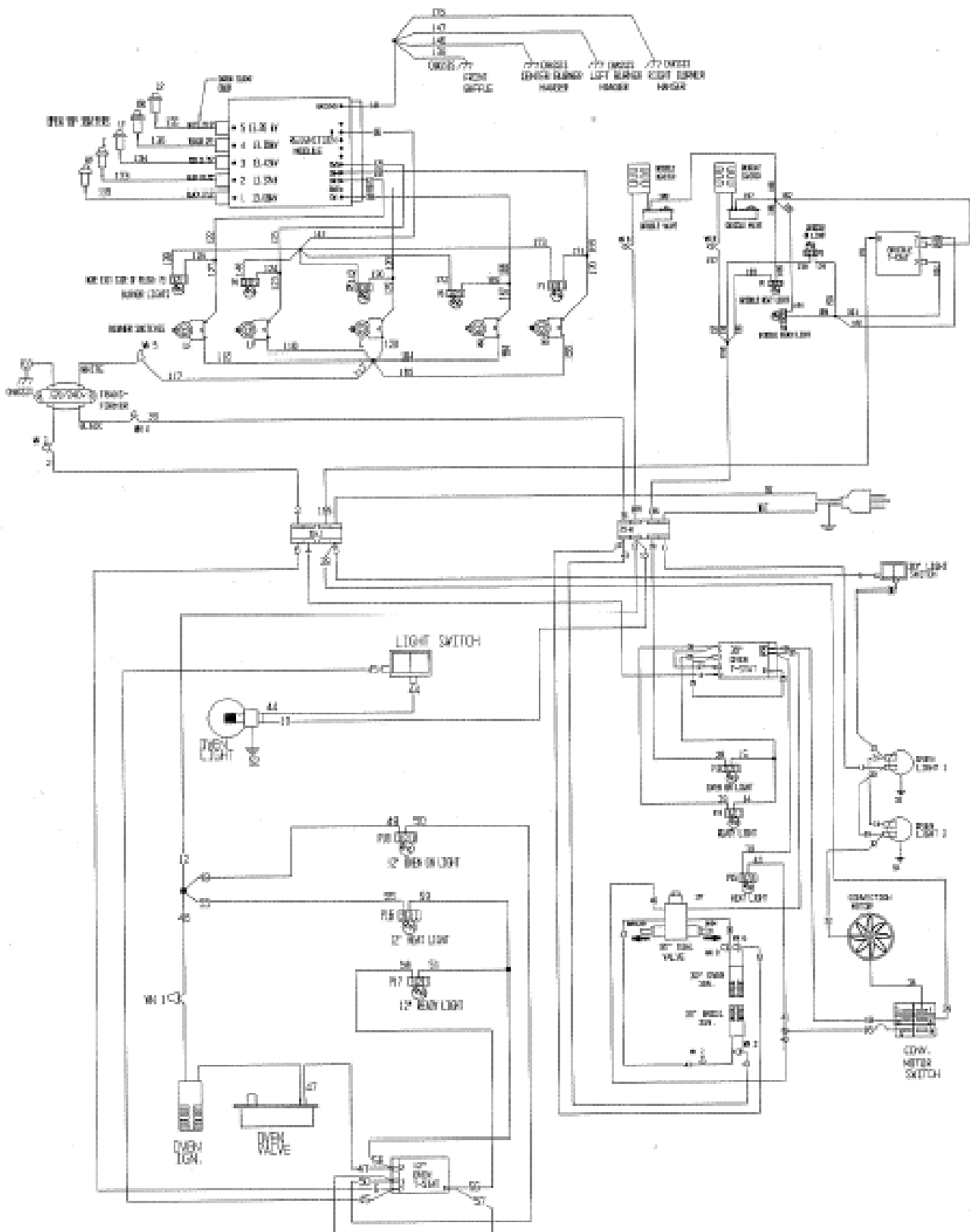


DWG000897 14 NOVEMBER 2006

INSULATION COMPONENTS

REF	PART	DESCRIPTION
2	216412	INSUL TOP SIDE R/L RG RGA 304
3	239329	INSULATION RETAINER ANGLE
4	216402	INSULATION CUT BACK RG
6	216407	INSUL CUT TOP/BACK OVEN 12
7	216012	INSUL FILLER SIDE LNR RG304
8	216405	INSULATION CUTSIDE LINER
9	216412	INSUL TOP SIDE R/L RG RGA 304
10	216406	INSUL CUT MIDDLE SIDE LINER
11	216404	INSULATION CUT TOP BRACE
12	216407	INSUL CUT TOP/BACK OVEN 12
16	216403	INSULATION CUT TOP OVEN 27

WIRING DIAGRAM



PCT-486
WIRING DIAGRAM
REV 10/15/82 RA

WIRING SCHEMATIC

