

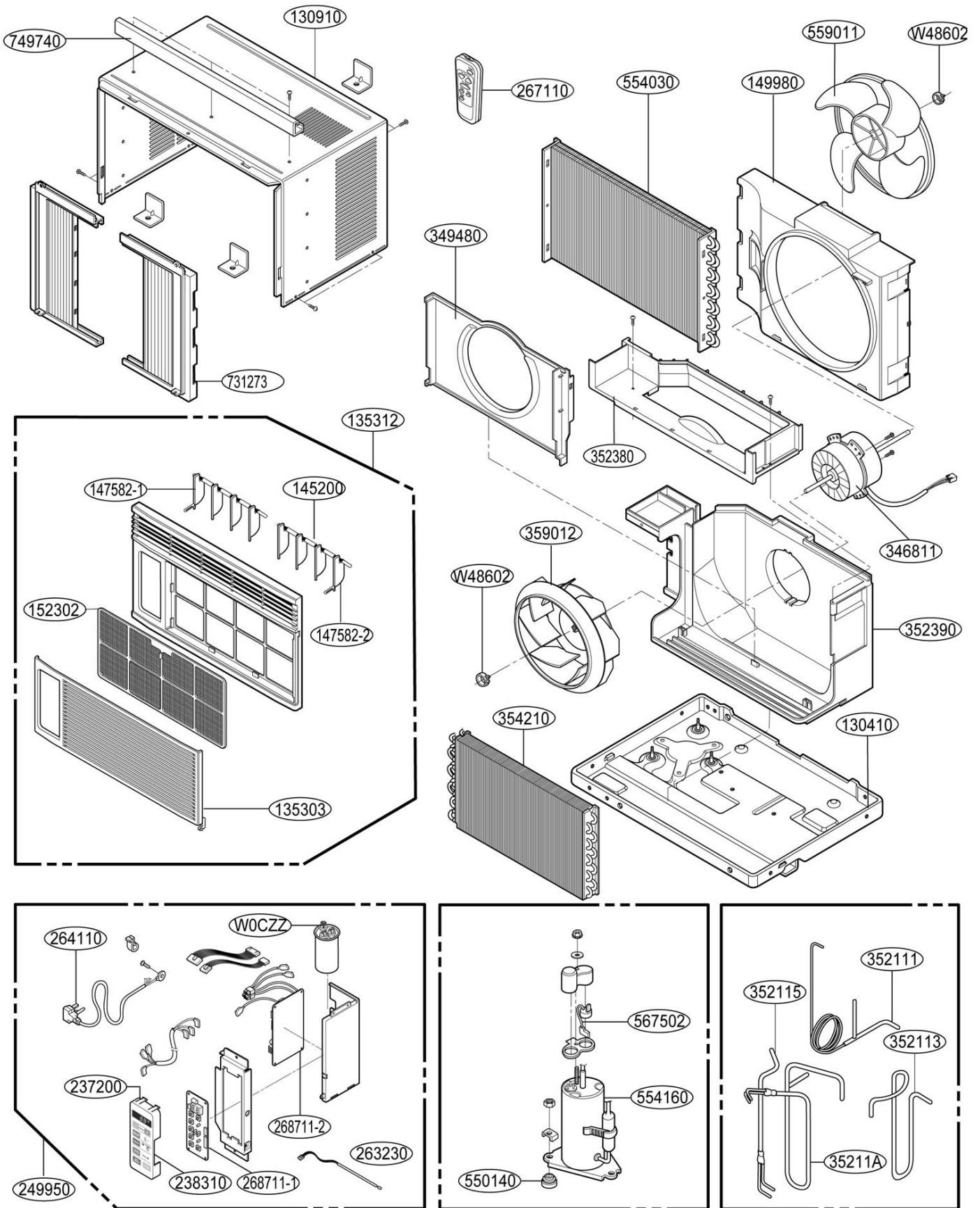
HEAT CONTROLLER, INC.

Replacement Parts List



**Room Air Conditioner:
RAD-81C**

RAD-81C Exploded View



RAD-81C Parts List

PART DESCRIPTION	LOCATION NO.	PART NO.
BaseAssembly,Weld	130410	3041A20036R
CabinetAssembly,Single	130910	3091AR6055Z
Grille,Inlet	135313	3530A10039A
GrilleAssembly,Front	135312	3531A20087B
Link	147581	4520AR3191A
Louver,Vertical	147582-1	5990AR3190C
Louver,Vertical	147582-2	5990AR3190C
Shroud	149980	MHN41571401
Filter,Air	152302	5231AR2148A
Panel,Control	237200	3720A20017A
Escutcheon	238310	3831A10001F
CaseAssembly,Control	249950	ABQ57504310
Thermistor,NTC	0	6322AQ9189F
PowerCordAssembly	264110	6411A20056A
RemoteControllerAssembly	267110	6711A20066C
PCBAsembly,Display	268711-1	6871A20432B
PCBAsembly,Main	268711-2	EBR39266613
MotorAssembly,AC,Single	346811	4681A10016S
Orifice	349480	4948A10016C
TubeAssembly,Capillary	352111	5210A30426E
TubeAssembly,Suction	352113	AJR36020003
TubeAssembly,Evaporator(In)	352115	AJR36600003
TubeAssembly,Discharge	35211A	5211A10129G
Duct	352390-1	AEC36811301
GuideAssembly,Air	352390-2	AEC36596102
EvaporatorAssembly,First	354210	ADL72909101
Fan,Turbo	359012	MDG41758701
Damper,Compressor	550140	5040AR4195A
CondenserAssembly,First	554030	5403A20009R
CompressorSet,China	554160	TBZ32370701
FanAssembly,Axial	559011	5901A20011B
OverloadProtect	567502	6750U5L004D
FrameAssembly	731273	3211AR3239A
Guide	749740	4974A20009A
Capacitor,Film,Box	W0CZZ	0CZZA10001J
Clamp,Spring	W48602	3H02932B

Design, material, performance data and components
subject to change without notice.

HEAT CONTROLLER, INC.

1900 Wellworth Ave., Jackson, MI 49203 ♦ Ph. 517-787-2100 ♦ Fax 517-787-9341

THE QUALITY LEADER IN CONDITIONING AIR

www.heatcontroller.com