

This Owner's Manual is provided and hosted by [Appliance Factory Parts](#).



Wolf IM15/S Owner's Manual

[Shop genuine replacement parts for Wolf IM15/S](#)



[Find Your Wolf HVAC Parts - Select From 108 Models](#)

----- Manual continues below -----

MULTI-FUNCTION COOKTOP

INSTALLATION INSTRUCTIONS

WOLF[®]





WOLF[®]



As you follow these instructions, you will notice **WARNING** and **CAUTION** symbols. This blocked information is important for the safe and efficient installation of Wolf equipment. There are two types of potential hazards that may occur during installation.

⚠ CAUTION

signals a situation where minor injury or product damage may occur if you do not follow instructions.

⚠ WARNING

states a hazard that may cause serious injury or death if precautions are not followed.

Another footnote we would like to identify is **IMPORTANT NOTE**: This highlights information that is especially relevant to a problem-free installation.

INSTALLATION REQUIREMENTS

IMPORTANT NOTE: This installation must be completed by a qualified installer, service agency or gas supplier.

IMPORTANT NOTE: Save these Installation Instructions for the local inspector's use.

- Please read the entire Installation Instructions prior to installation.
- **Installer:** please retain these instructions for local inspector's reference, then leave them with the homeowner.
- **Homeowner:** please read and keep these instructions for future reference and be sure to read the entire Use & Care Information prior to use.

IMPORTANT NOTE: This appliance must be installed in accordance with National Electrical Codes, as well as all state, municipal and local codes. The correct voltage, frequency and amperage must be supplied to the appliance from a dedicated, grounded circuit which is protected by a properly sized circuit breaker or time delay fuse. The proper voltage, frequency, and amperage ratings are listed on the product rating plate.

Record the model and serial numbers before installing the cooktop. Both numbers are listed on the rating plate, located on the underside of the cooktop.

Model Number IM15/S

Serial Number _____

⚠ WARNING

If the information in this book is not followed exactly, a fire or explosion may result, causing property damage, personal injury or death.

IMPORTANT NOTE:

- Installation and service must be performed by a qualified installer, service agency or the gas supplier.
- Warranty service must be performed by a Wolf authorized service center.
- Do not store or use gasoline or other flammable vapors and liquids in the vicinity of this or any other appliance.
- A ventilation hood or downdraft system is recommended for use with the Wolf gas multi-function cooktop.

WHAT TO DO IF YOU SMELL GAS:

- Do not try to light any appliance.
- Do not touch any electrical switch.
- Do not use any phone in your building.
- Immediately call your gas supplier from a neighbor's phone. Follow the gas supplier's instructions.
- If you cannot reach your gas supplier, call the fire department.

CONTACT INFORMATION

Wolf Customer Service:
800-332-9513

Website:
wolfappliance.com

**BEFORE YOU START**

- Proper installation is your responsibility. Have a qualified technician install this cooktop. You must also ensure that electrical installation is adequate and in compliance with all local codes and ordinances.
- The Wolf multi-function cooktop is manufactured for use with **natural gas** or **LP gas**. Please check the product rating plate for type of gas needed.
- Proper gas supply connection must be available; refer to Gas Supply Requirements on page 8. Electrical ground is required; see Electrical Requirements on page 10.
- Check the location where the cooktop will be installed. The location should be away from strong draft areas, such as windows, doors and strong heating vents or fans. Do not obstruct flow of combustion and ventilation air.
- Make sure you have everything necessary for correct installation. It is the responsibility of the installer to comply with the installation clearances specified on the product rating plate. The rating plate can be found on the underside of the cooktop.

▲ WARNING

This cooktop is intended for indoor use.

COMMONWEALTH OF MASSACHUSETTS

- Installations and repairs must be performed by a qualified or licensed contractor, plumber or gas fitter qualified or licensed by the state, province, or region where this appliance is being installed.
- Use only gas shut-off valves approved for use within the state, province, or region where this appliance is being installed.
- A flexible gas connector, when used, must not exceed 3' (.9 m).

INSTALLATION SPECIFICATIONS

The illustrations below provide the overall dimensions, installation specifications and countertop cut-out for Model IM15/S.

If the cooktop is not installed above an oven, the gas service may be supplied through the floor. When an oven is installed below the cooktop, unless you are using cabinets deeper than 24" (610), it is recommended that the electrical supply be placed in the base cabinet to the right of the oven. Refer to the Installation Specifications illustration below for specifics on placement of the electrical and gas supply.

IMPORTANT NOTE: When multiple cooktops and/or modules are installed side by side, refer to the countertop cut-out dimensions on page 7.

MODEL IM15/S DIMENSIONS

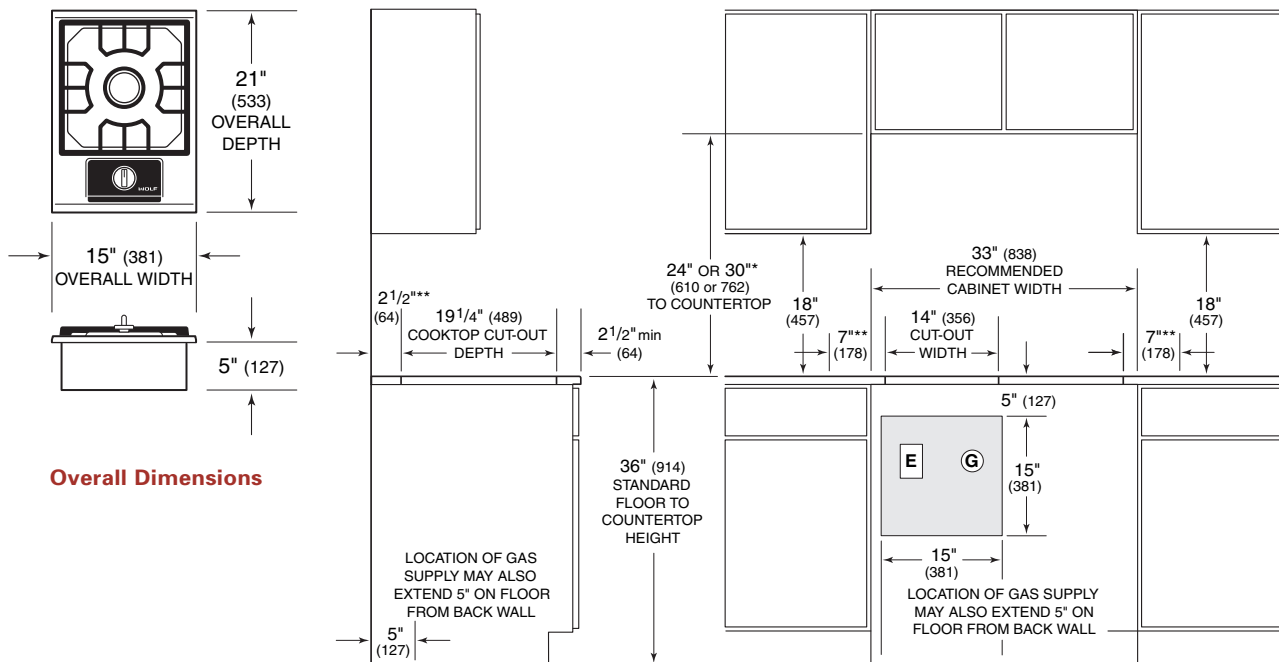
Overall Width	15" (381)
Overall Height	5" (127)
Overall Depth	21" (533)
Minimum Cabinet Depth	22 3/4" (578)
Minimum Height Clearance*	5" (127)
Cut-Out Width	14" (356)
Cut-Out Depth	19 1/4" (489)



Model IM15/S Multi-Function Cooktop

*For additional information on minimum height clearance, see Countertop Cut-Out Dimensions on page 6.

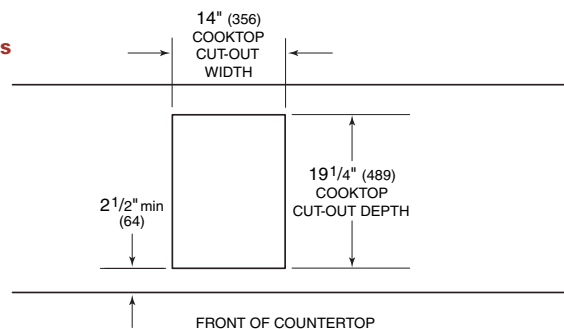
Dimensions may vary to ±1/8" (3).



Overall Dimensions

NOTE: Application shown allows for installation of two 15" (381) modules side-by-side.
 *Minimum 24" (610) from protected cabinet or 30" (762) from unprotected cabinet to countertop.
 **Minimum clearance from side and rear edge of cooktop cut-out to combustible surface up to 18" (457) above countertop.

Installation Specifications and Countertop Cut-Out Dimensions



Dimensions in parentheses are in millimeters unless otherwise specified.

**SITE PREPARATION****LOCATION REQUIREMENTS**

The following minimum dimensions must be maintained when installing the Wolf gas multi-function cooktop, Refer to the Installation Specifications illustration on page 5.

- Minimum horizontal clearance from the sides and back of the cooktop cut-out to adjacent vertical combustible construction, extending a minimum of 18" (457) above the countertop, 7" (178) from side edges of cut-out and 2¹/₂" (64) from rear edge of cut-out.
- Minimum 24" (610) clearance between the countertop and the bottom of a wood or metal cabinet which is protected by not less than 1/4" (6) flame retardant millboard covered with not less than No. 28 MSG sheet steel, .015" (.4) stainless steel, or .024" (.6) aluminum or .02" (.5) copper.
- Minimum 30" (762) clearance between the countertop and the bottom of an unprotected wood or metal cabinet.

IMPORTANT NOTE: When installing a ventilation hood, refer to the specific requirements of the hood for the minimum dimension to countertop.

▲ WARNING

Failure to locate the cooktop without the proper clearances will result in a fire hazard.

COUNTERTOP CUT-OUT DIMENSIONS

IMPORTANT NOTE: Countertop opening dimensions shown in the Installation Specifications illustration on page 5 must be used. The dimensions shown provide for required clearances.

The multi-function cooktop is designed to fit a standard 24" (610) deep base cabinet with a 25" (635) deep countertop. Before making the countertop cut-out, verify that the cooktop will clear the side walls of the base cabinet below. There should be at least 5¹/₂" (140) clearance between the countertop and any combustible surface directly below the unit.

If the cabinet has a drawer, a 5¹/₂" (140) clearance from the countertop to the top of the drawer (or other obstruction) in the base cabinet is required. A 15" (381) or less drawer depth may be needed to avoid interfering with the gas pressure regulator.

IMPORTANT NOTE: When multiple cooktops and/or modules are installed side by side, refer to the countertop cut-out dimensions on page 7.

Dimensions in parentheses are in millimeters unless otherwise specified.



INSTALLATION OPTIONS

MULTIPLE COOKTOP INSTALLATION

If the multi-function cooktop is to be used with any combination of additional cooktop units or modules with a filler strip, the cut-out width is calculated by adding the corresponding units' cut-out dimensions plus 1 1/4" (32) for each additional unit. Refer to the illustration below.

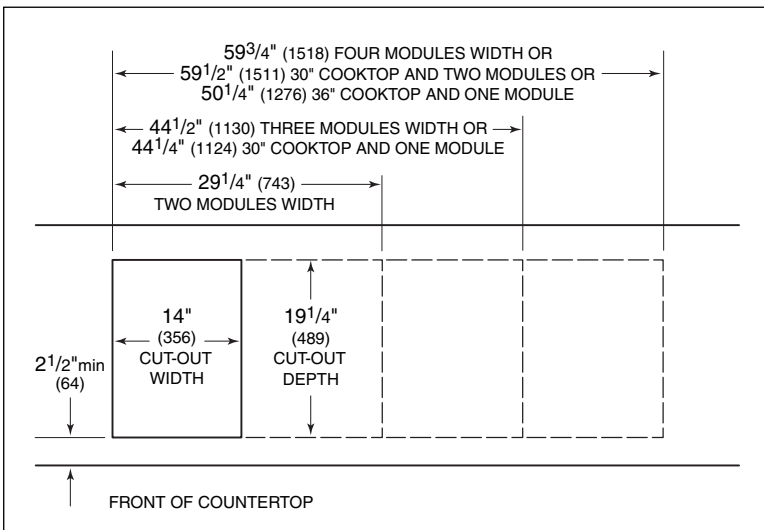
IMPORTANT NOTE: When multiple cooktops and/or modules are installed side by side, each unit must have its own separate recommended electrical circuit. When multiple gas cooktops and/or modules are installed next to one another, they can receive their gas supply from a common line. However, each unit **MUST** have its own gas pressure regulator installed between the mainline and the cooktop or module.

When two or more modules are installed together, an integrated module filler strip (IFILLER/S) is required. If a downdraft ventilation system is also installed, an integrated module support for downdraft ventilation (ISUPPORT) is also required. Contact your Wolf dealer for information on these accessory components.

IMPORTANT NOTE: Refer to specific installation requirements and limitations for each integrated module. Review specific installation instructions for product to product capabilities. Additional information is provided on our website, wolfappliance.com

OPTIONAL INSTALLATIONS

Dimensions will vary according to the specific installation.



Countertop cut-out dimensions for installation of multiple cooktops and/or modules

GAS SUPPLY REQUIREMENTS

▲ WARNING**EXPLOSION HAZARD—**

Use a new CSA approved gas supply line and install a gas shut-off valve.

Securely tighten all gas connections.

For LP gas, have a qualified technician make sure the gas pressure does not exceed 14" (34.9 mb) WC (water column).

Failure to do so can result in explosion, fire or death.

IMPORTANT NOTE: The gas multi-function cooktop must be connected to a regulated gas supply.

IMPORTANT NOTE: This installation must conform with local codes and ordinances. In the absence of local codes, installations must conform with American National Standard, National Fuel Gas Code ANSI Z223.1 – latest edition or CAN1 – B149.1 or 2.

IMPORTANT NOTE: The natural gas multi-function cooktop (Model IM15/S) is rated for elevations up to 8,000' (2438 m) without adjustment. Install a high altitude kit for elevations from 8,000' (2438 m) to 10,000' (3084 m). The LP gas multi-function cooktop (Model IM15/S-LP) is rated for up to 10,000' (3084 m).

The gas multi-function cooktop is equipped for use with natural or LP gas. It is design certified by the Canadian Standards Association (CSA) for natural or LP gases. The product rating plate, located on the underside of the cooktop, has information on the type of gas that should be used. If this information does not agree with the type of gas available, contact your Wolf dealer. To obtain local dealer information, visit the Locator section of our website, wolfappliance.com.

The gas multi-function cooktop is supplied with a 1/2" NPT male gas connection at the right rear corner of the cooktop.

Provide a gas supply line of 3/4" rigid pipe to the cooktop location. A smaller size pipe on long runs may result in insufficient gas supply. Pipe joint compounds, suitable for use with LP gas should be used. For LP gas, piping or tubing size can be 1/2" minimum.

If local codes permit, a new CSA design-certified, 4–5' (1.2–1.5 m) long, 1/2" or 3/4" ID, flexible metal appliance connector is recommended for connecting this cooktop to the gas supply line. Do not kink or damage the flexible connector when moving the cooktop. The gas pressure regulator has 1/2" female pipe threads. You will need to determine the fittings required, depending on the size of your gas supply line, flexible metal connector and shut-off valve.

If rigid pipe is used as a gas supply line, a combination of pipe fittings must be used to obtain an in-line connection to the cooktop. All strains must be removed from the supply and gas lines so the cooktop will be level and in line.



GAS SUPPLY REQUIREMENTS

IMPORTANT NOTE: The supply line must be equipped with an approved external gas shut-off valve located near the cooktop in an accessible location. Do not block access to the shut-off valve. Refer to the illustration below.

The inlet pressure to the regulator should be as follows for operation and checking the regulator setting:

- **Natural Gas:** Set pressure 5" (12.5 mb) WC, supply pressure 7–14" (17.5–34.9 mb) max.
- **LP Gas:** Set pressure 10" (25 mb) WC, supply pressure 12–14" (29.9–34.9 mb) WC.

LINE PRESSURE TESTING

- **Testing above .5 psi (3.5 kPa) 14" (34.9 mb) WC (gauge):** The cooktop and its individual shut-off valve must be disconnected from the gas supply piping system during any pressure testing of that system at test pressures greater than .5 psi (3.5 kPa).
- **Testing below .5 psi (3.5 kPa) 14" (34.9 mb) WC (gauge) or lower:** The cooktop must be isolated from the gas supply piping system by closing its individual manual shut-off valve during any pressure testing of the gas supply piping system at test pressures equal to or less than .5 psi (3.5 kPa).

IMPORTANT NOTE

This installation must conform with local codes and ordinances. In the absence of local codes, installations must conform with the American National Standard, National Fuel Gas Code and National Electrical Code regulations.

ELECTRICAL REQUIREMENTS

⚠ WARNING**ELECTRICAL SHOCK HAZARD—**

Plug into a grounded 3-prong electrical outlet.

Do not remove ground prong.

Do not use an adapter.

Failure to follow these instructions can result in electric shock, fire or death.

CONTACT INFORMATION

Copies of the standards listed may be obtained from:

***National Fire Protection Association
Batterymarch Park
Quincy,
Massachusetts
02269**

****Canadian Standard Association
178 Rexdale Blvd.
Etobicoke
(Toronto), Ontario
M9W 1R3**

IMPORTANT NOTE: If codes permit and a separate ground wire is used, it is recommended that a qualified electrician determine that the ground path is adequate.

IMPORTANT NOTE: Check with a qualified electrician if you are not sure whether the cooktop is properly grounded.

IMPORTANT NOTE: Do not ground to a gas pipe.

A 120 VAC, 60 Hz, 15-amp, fused electrical supply is required. A time-delay fuse or circuit breaker is recommended. It is recommended that a separate circuit serving only this appliance be provided.

IMPORTANT NOTE: A ground fault circuit interrupter (GFCI) is not recommended and may cause interruption of operation.

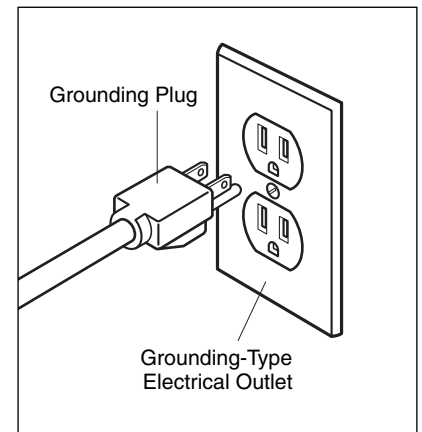
Electronic ignition systems operate within wide voltage limits, but proper ground and polarity are necessary. In addition to checking that the electrical outlet provides 120 VAC power and is correctly grounded, the outlet must be checked by a qualified electrician to see if it is wired with correct polarity.

A wiring diagram covering the control circuit for the Wolf multi-function cooktop model can be found on page 15.

RECOMMENDED GROUND METHOD

IMPORTANT NOTE: For your personal safety, this cooktop must be grounded. It is equipped with a 6' (1.8 m) power cord with 3-prong grounding plug. To minimize possible shock hazard, the power cord must be plugged into a 3-prong ground-type electrical outlet, grounded in conformance with the National Electrical Code, ANSI/NFPA 70 latest edition*, or Canadian Electrical Code (CSA)** and all local codes and ordinances.

If an electrical outlet is not available, it is the obligation of the customer to have a properly grounded, 3-prong electrical outlet installed by a qualified electrician.



Electrical ground



VENTILATION OPTIONS

IMPORTANT NOTE: It is recommended that you operate the Wolf multi-function cooktop with either a Wolf cooktop ventilation hood, downdraft system or Pro ventilation hood. Contact your Wolf dealer for details.

- **Cooktop Wall Hood** – 30" (762) or 36" (914) widths in classic stainless steel.
- **Cooktop Island Hood** – 42" (1067) width in classic stainless steel.
- **Downdraft Ventilation System** – 30" (762) or 36" (914) widths, with top cover and control panel in classic, platinum and carbon stainless steel finishes (adequate countertop depth is required).
- **Pro Wall Hood** – 22" (559), 24" (610) or 27" (686) depths and 30" (762) to 66" (1676) widths in classic stainless steel.
- **Pro Island Hood** – 36" (914) to 66" (1676) widths in classic stainless steel.
- **Pro Hood Liner** – available in widths to accommodate 30" (762) to 60" (1524) hood shells.

All hoods have welded seams, sealed halogen lighting, and removable, dishwasher-safe filters.

Blower requirements may vary due to the length of ducting and number of angles. The basic recommendation is 100 CFM per square foot of cooking area. Always consult your HVAC professional for more concise blower requirements.

IMPORTANT NOTE: When installing a ventilation hood, refer to the specific requirements of the hood for the minimum dimension to countertop.

VENTILATION PRODUCTS

Wolf ventilation products are available through your Wolf dealer. You can also visit the Locator section of our website, wolfappliance.com, for names of local dealers in your area or go to the Product section to obtain additional product information.

COOKTOP INSTALLATION

Insert the cooktop into the countertop cut-out opening. Center the cooktop in the opening and make sure that the front edge of cooktop is parallel to the front edge of the countertop. Check that all required clearances are met. Use a pencil to outline the rear edge of the cooktop on the countertop. Remove the cooktop from the countertop opening.

IMPORTANT NOTE: When repositioning the cooktop in the countertop cut-out opening, lift the entire cooktop up from the opening to prevent scratching the countertop.

Remove the foam strip from the hardware package. Apply the foam strip around the bottom of the burner box flush with the edge as shown in the illustration below.

Reinsert the cooktop into the countertop opening. Check that the cooktop is parallel to the front edge of the countertop. Lift the entire cooktop to make adjustments and align the rear edge with the pencil line.

Attach the brackets to the burner box by inserting the clips into the rectangular punchouts on the left and right side of the burner box. Insert the 3¹/₂" (89) clamping screws into the brackets. Use a screwdriver to tighten the clamping screws against the underside of the countertop. Refer to the illustration below. Do not overtighten screws.

GAS PRESSURE REGULATOR

Install the gas pressure regulator with the arrow on the regulator pointing up toward the unit and in a position where you can reach the access cap. Refer to the illustration below. A natural gas and LP compatible pipe-joint compound should be used to ensure a gas-tight seal.

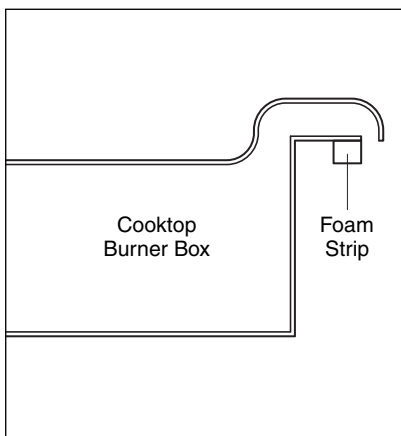
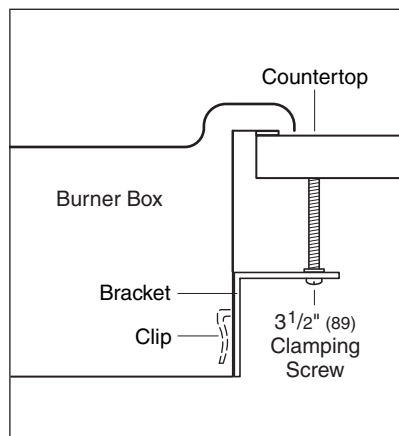
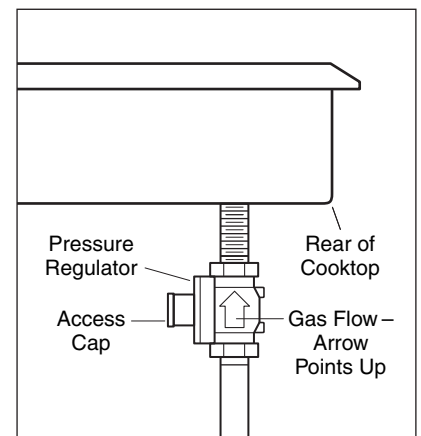
IMPORTANT NOTE: All connections must be wrench-tightened. Do not make connections to the gas pressure regulator too tight; this may crack the regulator and cause a gas leak. Do not allow the regulator to turn on the pipe when tightening fittings.

GAS SUPPLY LINE CONNECTION

Assemble the flexible metal connector from the gas supply pipe to the gas pressure regulator. You will need to determine the fittings required, depending on the size of your gas supply line, flexible metal connector and shut-off valve. Refer to the illustration on page 13.

Use a pipe-joint compound made for use with natural and LP gas. If a flexible metal connector is used, be sure the tubing is not kinked.

Open the shut-off valve in the gas supply line. Wait a few minutes for the gas to move through the line. Refer to the illustration on page 9.

**Foam strip application****Bracket installation****Gas pressure regulator**



SURFACE BURNERS

GAS LEAK TESTING

Use a brush and liquid detergent to test all gas connections for leaks. Bubbles around connections will indicate a leak. If a leak appears, shut off gas valve controls and adjust connections. Then check connections again. Clean all the detergent solution from the cooktop.

⚠ WARNING

Never test for a gas leak with a match or other flame.

COMPLETING THE INSTALLATION

Once the cooktop has been checked for any gas leaks, plug the power supply cord into the grounded electrical outlet.

Place the burner head on the burner base and position the burner grate over the burner assembly.

IMPORTANT NOTE: Do not seal the cooktop to the countertop. It must be removed if service is necessary.

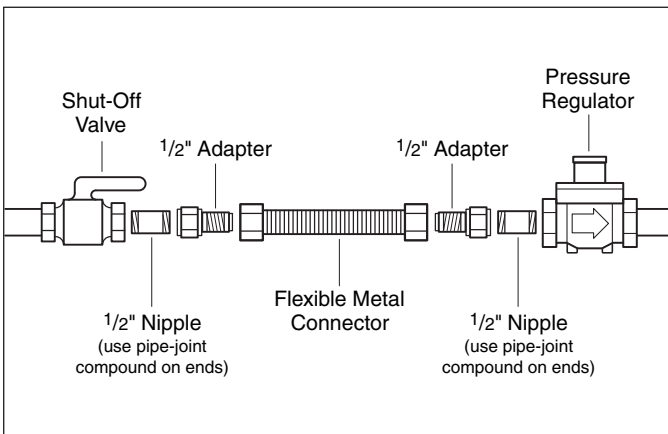
INITIAL LIGHTING

The cooktop burner uses an electronic igniter in place of a standing pilot. When the cooktop control knob is pushed in and turned to the HIGH position, the system creates a spark to light the burner. This sparking continues until the electronic ignition senses a flame.

To check operation of the cooktop burner, push in and turn the control knob to the HIGH position. The flame should light within four seconds.

If the burner does not light properly, turn the control knob to the OFF position. Check that the burner head is in the proper position. Check that the power supply cord is plugged in and that the circuit breaker or house fuse has not blown. Make sure that the shut-off valve is in the ON position. Check operation again; if the burner does not light properly at this point, contact a Wolf authorized service center.

IMPORTANT NOTE: Initial lighting of the cooktop burner may take slightly longer as air in the system must be purged before gas can be supplied to the burner.



Gas supply line connection

Dimensions in parentheses are in millimeters unless otherwise specified.



CONTACT INFORMATION

**Wolf Customer
Service:**
800-332-9513

Website:
wolfappliance.com

COOKTOP REMOVAL

If it is necessary to remove the multi-function cooktop for cleaning or service, shut off the gas supply. Disconnect the gas and electric supply. Remove the mounting brackets on the right and left side of the burner box and remove the cooktop. Reinstall in the reverse order and check the gas connection for leaks.

TROUBLESHOOTING

IMPORTANT NOTE: If the cooktop does not operate properly, follow these troubleshooting steps:

- Verify that power is being supplied to the cooktop.
- Check that gas valves are turned to the ON position.
- Check the gas supply and electrical connections to ensure that the installation has been completed correctly.
- Follow troubleshooting procedures as described in the Wolf Multi-Function Cooktop Use & Care Information.
- If the cooktop still does not work, contact a Wolf authorized service center. Do not attempt to repair the cooktop yourself. Wolf is not responsible for service required to correct a faulty installation.

IF YOU NEED SERVICE

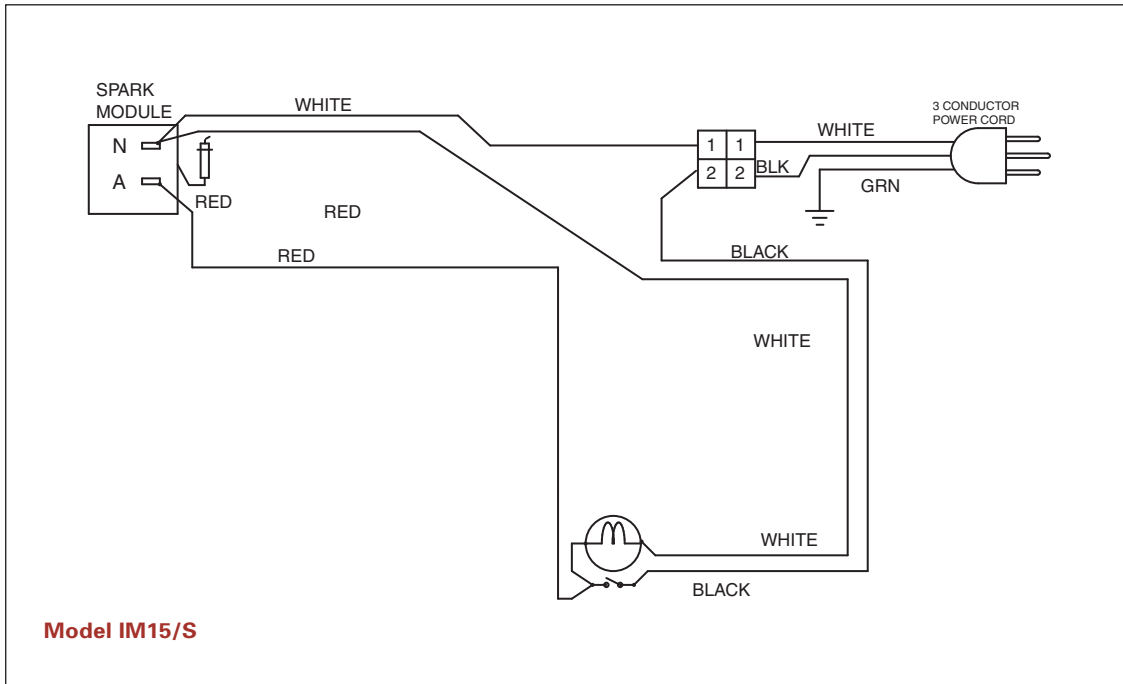
- If service is necessary, maintain the quality built into your multi-function cooktop by calling a Wolf authorized service center.
- To obtain the name and number of a Wolf authorized service center, check the Locator section of our website, **wolfappliance.com** or call Wolf Customer Service at **800-332-9513**.
- When calling for service, you will need the cooktop model and serial numbers. Both numbers are listed on the rating plate, located on the underside of the cooktop.

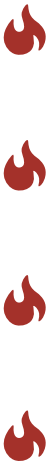
The information and images are the copyright property of Wolf Appliance Company, LLC, an affiliate of Sub-Zero Freezer Company, Inc. Neither this book nor any information or images contained herein may be copied or used in whole or in part without the express written permission of Wolf Appliance Company, LLC, an affiliate of Sub-Zero Freezer Company, Inc.

©Wolf Appliance Company, LLC all rights reserved.



WIRING DIAGRAM





WOLF APPLIANCE COMPANY, LLC P.O. BOX 44848 MADISON, WI 53744 800-332-9513 WOLFAPPLIANCE.COM

WOLF[®]

807568

10/2005