

This Owner's Manual is provided and hosted by [Appliance Factory Parts](#).



Weber 526001 Owner's Manual

[Shop genuine replacement parts for Weber 526001](#)



[Find Your Weber Grill Parts - Select From 2037 Models](#)

----- Manual continues below -----



ELECTRIC GRILL OWNER'S GUIDE

You must read this Owner's Guide before operating your electric grill

GUÍA DEL PROPIETARIO DE LA BARBACOA ELÉCTRICA - Pg 12
MANUEL UTILISATEUR DU GRILL ELECTRIQUE - Pg 18

PLACE STICKER HERE



WARNING!
POTENTIAL SHOCK
HAZARD

This appliance is Rated for
120 volts - 50/60Hz, 13 Amps
Output: 1560W
Use only Weber Q140TC temperature-
controlling plug.

⚠ This grill is intended for outdoor household use only. Do not use indoors or for commercial cooking. Fuel, such as charcoal briquettes, is not to be used with appliance.



⚠ The supply cord should be regularly examined for signs of damage and the appliance is not to be used if the cord is damaged.

IMPORTANT SAFEGUARDS

- ⚠ CAUTION: To ensure continued protection against risk of electric shock, connect to properly grounded three prong GFI outlets only. Do not use a two prong adapter.
- ⚠ Read all instructions.
- ⚠ WARNING: Use only outdoors, do not expose to rain. This is to prevent electric shock which can cause serious bodily injury or death.
- ⚠ WARNING: Disconnect appliance from supply circuit before performing maintenance and cleaning.
- ⚠ WARNING: For protection against risk of electric shock, connect to properly grounded outlets only.
- ⚠ WARNING: For protection against risk of electric shock, keep extension cord connection dry and off the ground.
- ⚠ CAUTION: Store Temperature Controller indoors when not in use.
- ⚠ Use extreme caution when removing tray or disposing of hot grease.
- ⚠ Do not clean with metal scouring pads. Pieces can break off the pad and touch electrical parts, creating a risk of electric shock.
- ⚠ Do not use charcoal in this appliance.
- ⚠ Do not touch surfaces that may be hot. Use handles or knobs provided.
- ⚠ To protect against electrical shock do not immerse cord, plugs, portable appliances (or other specific part or parts) in water or other liquid.
- ⚠ Close supervision is necessary when any appliance is used by or near children.
- ⚠ Make sure appliance is OFF and remove plug from outlet when not in use, before putting on or taking off parts, and before cleaning. Allow to cool before handling.
- ⚠ Do not operate any appliance with a damaged cord or plug or after the appliance malfunctions or is dropped or damaged in any manner. Contact the Customer Service Representative in your area using the contact information on our web site. Log onto www.weber.com.
- ⚠ The use of accessories not recommended by Weber may cause damage or injuries.
- ⚠ Do not let cord hang over edge of table or counter or touch hot surfaces.
- ⚠ Where applicable, always attach plug to appliance and check that the control is OFF before plugging cord into wall outlet. To disconnect, turn the control to OFF, then remove plug from wall outlet.
- ⚠ Do not use appliance for other than intended use.
- ⚠ Avoid contacting moving parts.

SAVE THESE INSTRUCTIONS

41100 US 08/13/08
ENGLISH

⚠ DANGER

Failure to follow the Dangers, Warnings and Cautions contained in this Owner's Manual may result in serious bodily injury or death, or in a fire or an explosion causing damage to property.

⚠ WARNINGS

- ⚠ **WARNING:** Do not use charcoal or other combustible fuels in this grill. This grill is not designed for charcoal use and a fire could result. The fire could create an unsafe condition and damage to the grill.
- ⚠ Always plug Temperature Controller into grill before plugging power cord into outlet. (See page 7, Step C)
- ⚠ Do not operate unit if plug receptacle is damaged.
- ⚠ Operate grill only on a level, stable surface.
- ⚠ Do not in any way alter this product or its use.
- ⚠ If using an extension cord it must be rated no less than that of the appliance. Extension cords must be marked with the letter "W" and with a tag stating, "Suitable for use with outdoor appliance?"
- ⚠ Use shortest length extension cord possible. Do not connect 2 or more extension cords together.
- ⚠ Do not immerse grill or Temperature Controller in water when cleaning.
- ⚠ Do not leave Temperature Controller in the ON position during periods of non-use.
- ⚠ Do not leave grill unattended when in use.
- ⚠ Keep children and pets away from grill when in use.
- ⚠ Young children should be supervised to ensure that they do not play with the appliance.
- ⚠ This appliance is not intended for use by young children or infirm persons unless they have been adequately supervised by a responsible person to ensure that they can use the appliance safely.
- ⚠ Clean grease catch pan regularly.
- ⚠ Locate power cord away from traffic areas. Arrange the cord so that it will not be pulled or tripped over.
- ⚠ Do not use grill near combustible materials such as dry grass, shrubs, etc.
- ⚠ Do not allow grill to come into close contact with flammable materials such as paper, walls, draperies, towels, chemicals, etc.
- ⚠ Do not use as a heater.
- ⚠ Do not move the grill while it is in use. Allow the appliance to cool before moving, cleaning or storing it.
- ⚠ Do not use grill when raining or snowing.
- ⚠ To prevent grill from being splashed or falling into water, do not use grill within 10 feet of any body of water such as a pool or pond.
- ⚠ Do not operate grill with a Temperature Controller that has a damaged cord or plug. Call Weber for a replacement Temperature Controller. The Temperature Controller is made specifically for this grill.
- ⚠ Pulling Temperature Controller by the knob could cause the knob to come off. Remove Temperature Controller by gripping on it's side as shown on pg. 11, fig. 1.
- ⚠ Do not allow cord to touch the grill when it is hot.
- ⚠ This grill is intended for outdoor household use only. Do not use indoors or for commercial cooking.
- ⚠ If a flare up occurs, do not use water to put out fire. Turn grill to OFF. Unplug power cord and wait for grill to cool.
- ⚠ Make sure no other high wattage appliances are plugged into the same circuit when using grill.
- ⚠ Do not clean this product with a water spray or the like.
- ⚠ Unplug grill when not in use and cover when cool. Properly store the appliance indoors when not in use - out of the reach of children.
- ⚠ Use this grill only as described in this manual. Any other use not recommended in this manual may cause fire, electric shock, or injury to persons.
- ⚠ Always ensure that electrical socket being used has the correct rating. Socket must be rated no less than 120V AC, 13 Amps.
- ⚠ This appliance conforms to technical standards and the safety requirements for electrical devices.
- ⚠ The grease catch pan must be in place at all times during grill operation.
- ⚠ Do not build this model of grill in any built-in or slide-in construction. Ignoring this warning could cause a fire or an explosion that may damage property or cause serious bodily injury or death.

Weber-Stephen Products Co. (Weber) hereby warrants to the ORIGINAL PURCHASER of this Weber® electric grill that it will be free of defects in material and workmanship from the date of purchase as follows:

Aluminum Castings,	5 years
Heating Element,	2 years
Temperature Controller,	2 years
Thermoplastic/Thermoset Parts,	5 years excluding fading
All Remaining Parts,	2 years when assembled and operated in accordance with the printed instructions that accompany it

Weber may require reasonable proof of your date of purchase. THEREFORE, YOU SHOULD RETAIN YOUR SALES SLIP OR INVOICE.

This Limited Warranty shall be limited to the repair or replacement of parts that prove defective under normal use and service and which on examination shall indicate, to Weber's satisfaction, they are defective. Before returning any parts, please contact the Customer Service Representative in your region using the contact information on our web site. Log onto www.weber.com®. If Weber confirms the defect and approves the claim, Weber will elect to replace such parts without charge. If you are required to return defective parts, transportation charges must be prepaid. Weber will return parts to the purchaser, freight or postage prepaid.

This Limited Warranty does not cover any failures or operating difficulties due to accident, abuse, misuse, alteration, misapplication, vandalism, improper installation or improper maintenance or service, or failure to perform normal and routine maintenance as set out in this owner's manual. Deterioration or damage due to severe weather conditions such as hail, hurricanes, earthquakes or tornadoes, discoloration due to exposure to chemicals either directly or in the atmosphere, is not covered by this Limited Warranty.

There are no other express warrants except as set forth herein and any applicable implied warranties of merchantability and fitness are limited in duration to the period of coverage of this express written Limited Warranty. Some regions do not allow limitation on how long an implied warranty lasts, so this limitation may not apply to you.

Weber is not liable for any special, indirect or consequential damages. Some regions do not allow the exclusion or limitation of incidental or consequential damages, so this limitation or exclusion may not apply to you.

Weber does not authorize any person or company to assume for it any other obligation or liability in connection with the sale, installation, use, removal, return, or replacement of its equipment; and no such representations are binding on Weber.

This warranty applies only to products sold at retail. This warranty will be void if the cord to the Temperature Controller is not clamped to the unit.

WEBER-STEPHEN PRODUCTS CO. For replacement parts call:
Customer Service Center 1-800-446-1071
1890 Roselle Road, Suite 308 www.weber.com®
Schaumburg, IL 60195 USA

Weber-Stephen Products Co. (Weber) mediante la presente garantiza al COMPRADOR ORIGINAL de esta barbacoa eléctrica Weber® que la misma estará libre de defectos tanto en los materiales como en su fabricación desde su fecha de compra y según lo siguiente:

Piezas coladas de aluminio,	5 años
Elemento calentador,	2 años
Regulador de temperatura,	2 años
Partes termoplásticas/termofijas,	5 años excepto por decoloración
Todas las demás partes,	2 años cuando están ensambladas y operadas de acuerdo con las instrucciones impresas que lo acompañan

Esta Garantía Limitada no cubre fallas o dificultades operativas debido a accidentes, abuso, maltrato, alteración, uso indebido, vandalismo, instalación incorrecta, mantenimiento o servicio incorrecto, o la omisión de llevar a cabo mantenimiento normal y de rutina según se indica en este manual del propietario. Esta Garantía Limitada no cubre el deterioro o daños a causa de condiciones de tiempo inclementes tales como granizo, huracanes, terremotos o tornados ni tampoco la decoloración por exposición a sustancias químicas bien sea por contacto directo o por las mismas contenidas en la atmósfera.

No existe ninguna otra garantía expresa que no sean las las acá indicadas y cualesquier garantías implícitas de comerciabilidad y aptitud de uso están limitadas en duración al tiempo de cobertura de esta expresa Garantía Limitada por escrito. Algunas regiones no permiten limitación alguna en el tiempo que una garantía implícita pueda durar, por lo que esta limitación pudiera no aplicarle a usted.

Weber no se hace responsable de cualesquier daños especiales, indirectos o emergentes. Algunas regiones no permiten la exclusión o limitación de daños incidentales o emergentes, por lo que esta limitación o exclusión pudieran no aplicarle a usted.

Weber no autoriza a persona o empresa alguna a asumir en su nombre ninguna obligación o responsabilidad en relación con la venta, instalación, uso, retiro, devolución o reemplazo de sus equipos, y ninguna tal representación será vinculante para Weber.

Esta garantía aplica solo a aquellos productos vendidos al por menor. Esta garantía será anulada si el cordón eléctrico al Regulador de Temperatura no está sujeto a la unidad.

WEBER-STEPHEN PRODUCTS CO. Para partes de repuesto llame a:
Customer Service Center 1-800-446-1071
1890 Roselle Road, Suite 308 www.weber.com®
Schaumburg, IL 60195 USA

Weber-Stephen Products Co. (Weber) garantit à l'ACHETEUR du grill électrique Weber® que celui-ci ne présente aucun défaut de fabrication ou de matériel à compter de la date d'achat comme suit :

Coulages aluminium,	5 ans
Élément chauffant,	2 ans
Contrôleur de température,	2 ans
Pièces thermoplastique/thermodurcies,	5 ans sauf fanage
Autres pièces,	2 ans une fois monté et mis en marche conformément aux instructions qui l'accompagnent

climatiques extrêmes telles que la grêle, les ouragans, les séismes ou les tornades, la décoloration résultant d'une exposition à des substances chimiques directement ou dans l'atmosphère, n'est pas couverte par la garantie.

Il ne saurait y avoir d'autre garantie sauf indication contraire et toute garantie implicite applicable de comerciabilité et d'adéquation est limitée dans la durée à la période de couverture de cette garantie limitée écrite. Certaines régions ne tolèrent aucune limitation de la durée de la garantie, il se peut donc que cela ne s'applique pas à votre cas.

Weber ne peut être tenu responsable de tout dommage indirect. Certaines régions ne tolèrent pas l'exclusion ou la limitation des dommages indirects, il se peut donc que cela ne s'applique pas à votre cas.

Weber n'autorise aucune personne ou entreprise à assumer pour son compte toute autre obligation ou responsabilité en lien avec la vente, l'installation, l'utilisation, le retrait, le renvoi, ou le remplacement de son équipement et Weber ne saurait être lié par aucune représentation. Cette garantie ne s'applique qu'aux produits vendus au détail. Cette garantie sera nulle et non avenue si le cordon du contrôleur de température n'est pas fixée sur l'appareil.

WEBER-STEPHEN PRODUCTS CO.
Product Registration
P.O. Box 40530
Burlington, ON L7P 4W1

Pour des pièces de rechange, appelez le :
1-800-265-2150
www.weber.com®

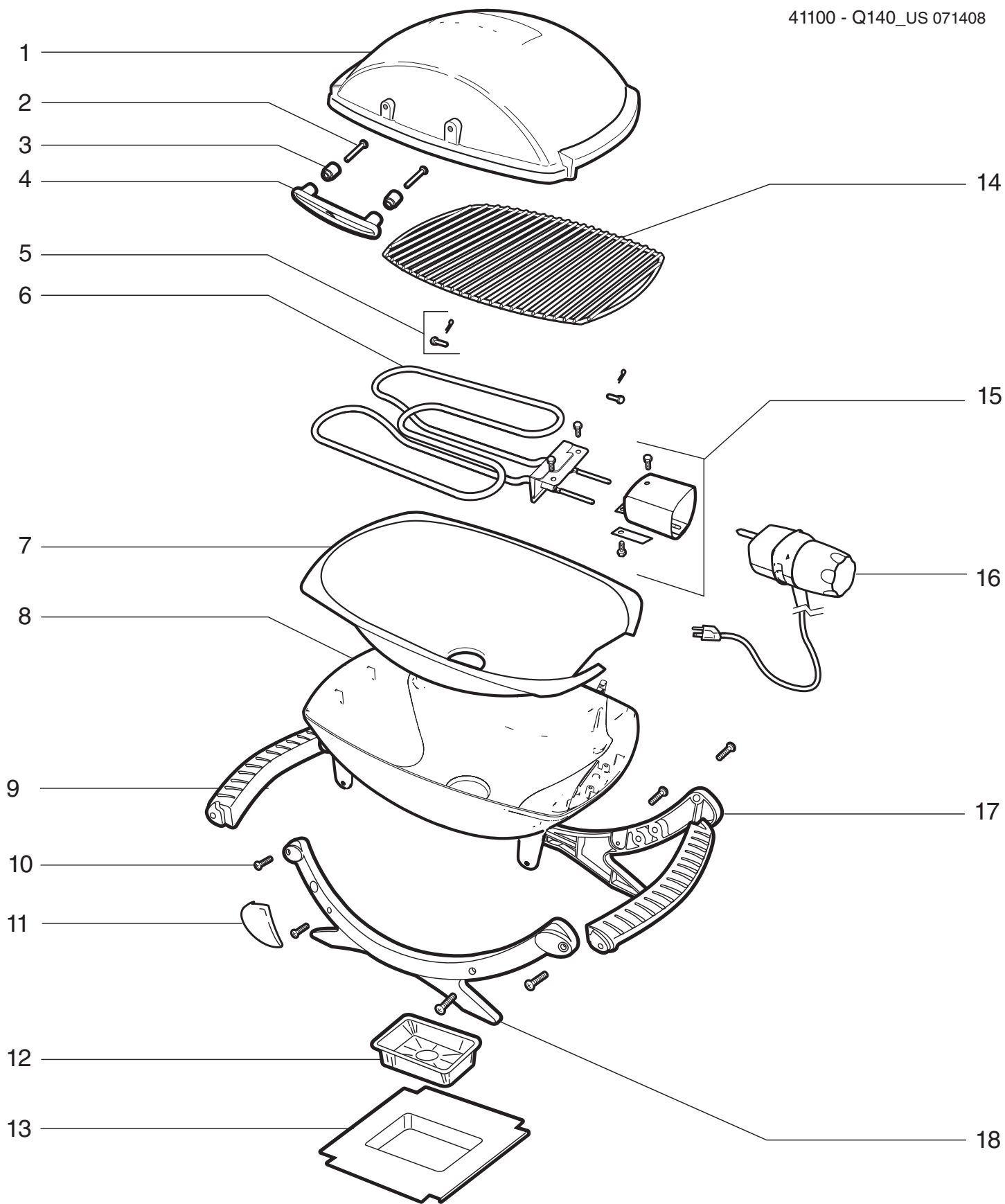
Weber peut vous demander de présenter un justificatif de la date d'achat. VEUILLEZ CONSERVER VOTRE BORDEREAU DE VENTE OU VOTRE FACTURE.

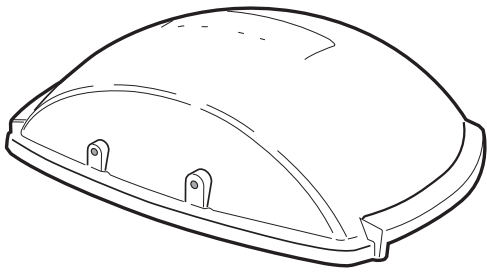
Cette garantie limitée sera limitée à la réparation et au remplacement des pièces s'avérant défectueuses dans des conditions normales d'utilisation et qui après inspection présentent des dysfonctionnements avec l'accord de Weber. Avant de renvoyer les pièces, veuillez contacter l'agent du service client le plus proche aux coordonnées de contact figurant sur notre site Web. Allez sur www.weber.com®. Si Weber confirme le défaut et approuve la réclamation, Weber remplacera la pièce gratuitement. Si vous devez renvoyer les pièces défectueuses, les frais d'envoi doivent être prépayés. Weber renverra les pièces à l'acheteur, fret ou affranchissement prépayé.

Cette garantie limitée ne s'applique pas aux défaillances ou dysfonctionnements résultant d'un accident, d'un abus, d'une mauvaise utilisation, altération, d'un acte de vandalisme, d'une installation ou d'une maintenance inadéquate, ou de la non-réalisation des tâches de maintenance de routine comme indiqué dans le manuel utilisateur. La dégradation ou les dommages résultant de conditions

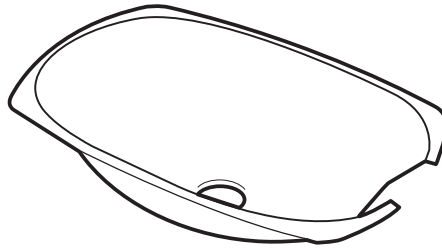
- | | |
|---|---|
| <p>1. Lid
Tapa
Couvercle</p> | <p>10. ¼ x 20 x 1¼" Truss Head Screw
Tornillo de cabeza segmentada ¼ x 20 x 1¼"
Vis à tête bombée ¼ x 20 x 1¼"</p> |
| <p>2. ½ x 20 x 1½" Pan Head Screw
Tornillo de cabeza plana ½ x 20 x 1½"
Vis à tête cylindrique ½ x 20 x 1½"</p> | <p>11. Cradle logo
Logotipo del bastidor de soporte
Logo de socle</p> |
| <p>3. Ceramic Spacer
Separador de cerámica
Entretoise céramique</p> | <p>12. Disposable Drip Pan
Bandeja de goteo desechable
Lêchefrite jetable</p> |
| <p>4. Handle
Asa
Poignée</p> | <p>13. Grease Catch Pan
Plato recolector
Egouttoir</p> |
| <p>5. Hair Pin Cotter - Hinge Pin
Clavija hendida - Pasador de bisagra
Anneau de retenue en épingle à cheveux - Axe de charnière</p> | <p>14. Cooking Grate
Rejilla de cocción
Grille de cuisson</p> |
| <p>6. Heat Element Assembly
Ensamble del elemento calentador
Élément chauffant</p> | <p>15. Controller Bracket Sleeve
Manga del soporte del regulador
Manchon de support de bouton de commande</p> |
| <p>7. Removable Bowl Liner
Forro de quita y pon del tazón
Doublure de bol démontable</p> | <p>16. Temperature Controller with power cord
Regulador de temperatura con cordón eléctrico
Bouton de commande de température avec cordon d'alimentation</p> |
| <p>8. Cook box
Caja de cocción
Chambre de cuisson</p> | <p>17. Rear Cradle
Bastidor posterior de soporte
Socle arrière</p> |
| <p>9. Handle
Asa
Poignée</p> | <p>18. Front Cradle
Bastidor delantero de soporte
Socle avant</p> |

41100 - Q140_US 071408

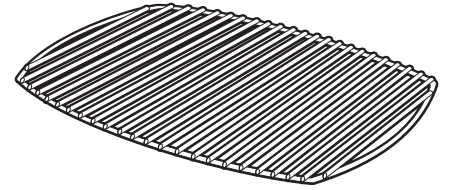




Lid - 1
Tapa - 1
Couvercle - 1



Removable Bowl Liner - 1
Forro de quita y pon del tazón - 1
Doublure de bol amovible - 1



Cooking Grate - 1
Parrilla de cocción - 1
Grille de cuisson - 1



**Stainless Steel Pan Head
Phillips Screw
(1/4 - 20 x 1 1/2") - 2**

Tornillo de acero inoxidable
de estrella de cabeza plana
(1/4 - 20 x 1 1/2") - 2

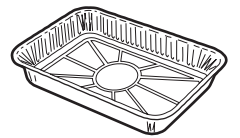
Vis à tête cylindrique en
acier inoxydable
(1/4 - 20 x 1 1/2") - 2



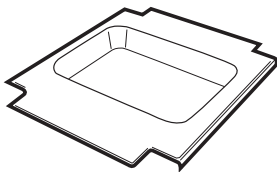
Handle - 1
Asa - 1
Poignée - 1



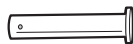
Ceramic Spacer - 2
Separador de cerámica - 2
Entretoise céramique - 2



**Disposable Drip
Pan - 2**
Bandeja de goteo
desechable - 2
Lèchefrite jetable - 2



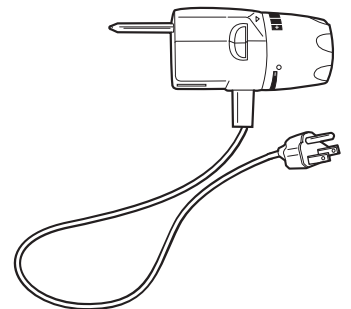
Grease Catch Pan - 1
Plato recolector - 1
Bac à graisse - 1



Hinge Pin - 2
Pasador de
bisagra - 2
Axe - 2

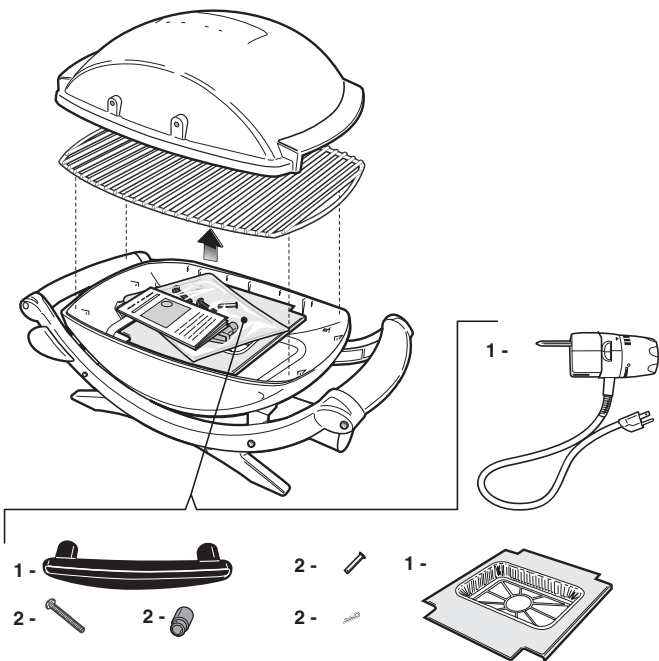


Cotter Pin - 2
Clavija hendida - 2
Goupille
fendue - 2

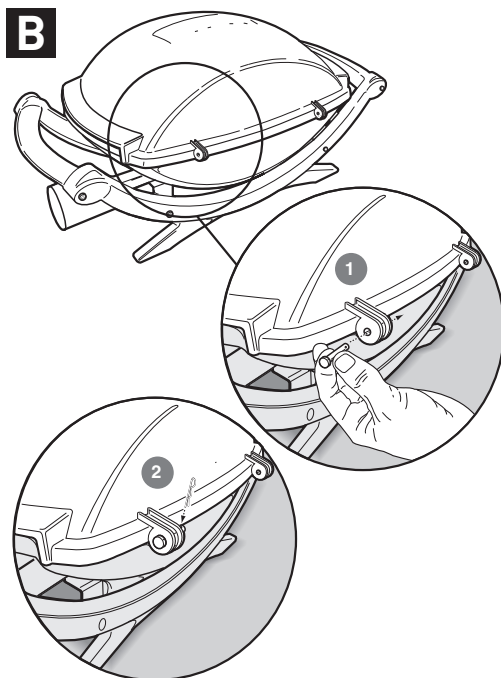


**Temperature Controller
with power cord- 1**
Regulador de
Temperatura con cordón
eléctrico - 1
Contrôleur de
température avec cordon
d'alimentation- 1

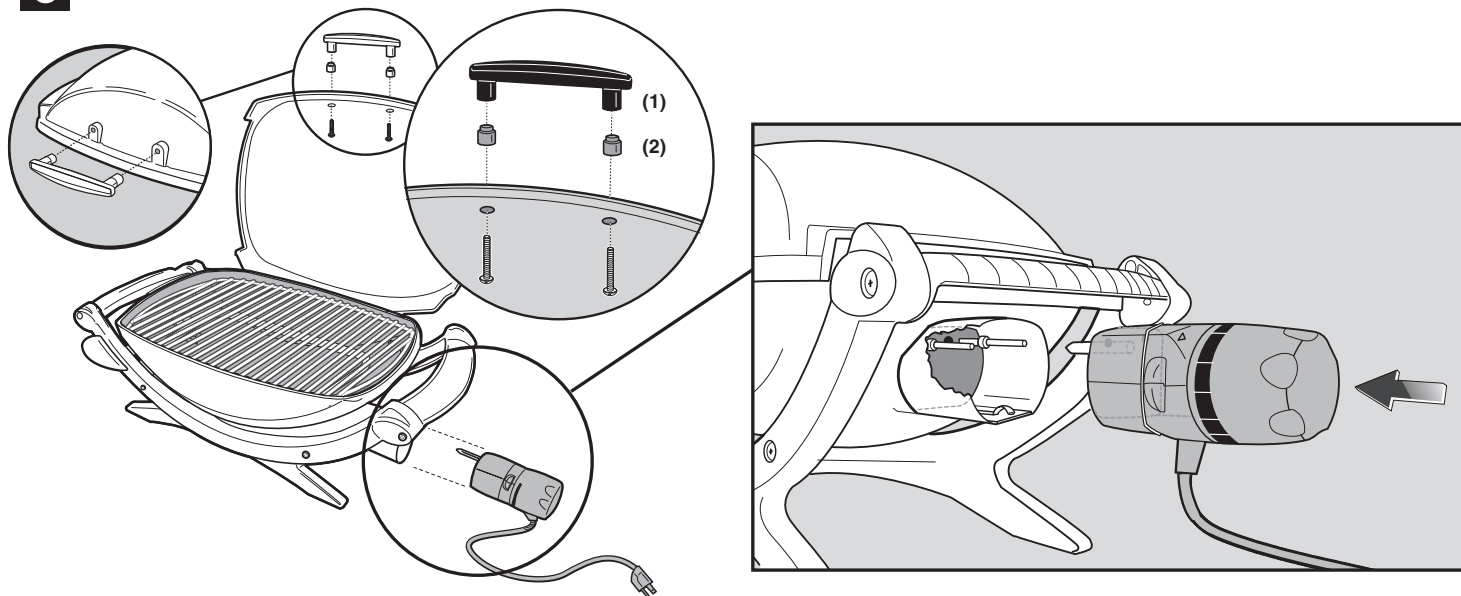
A



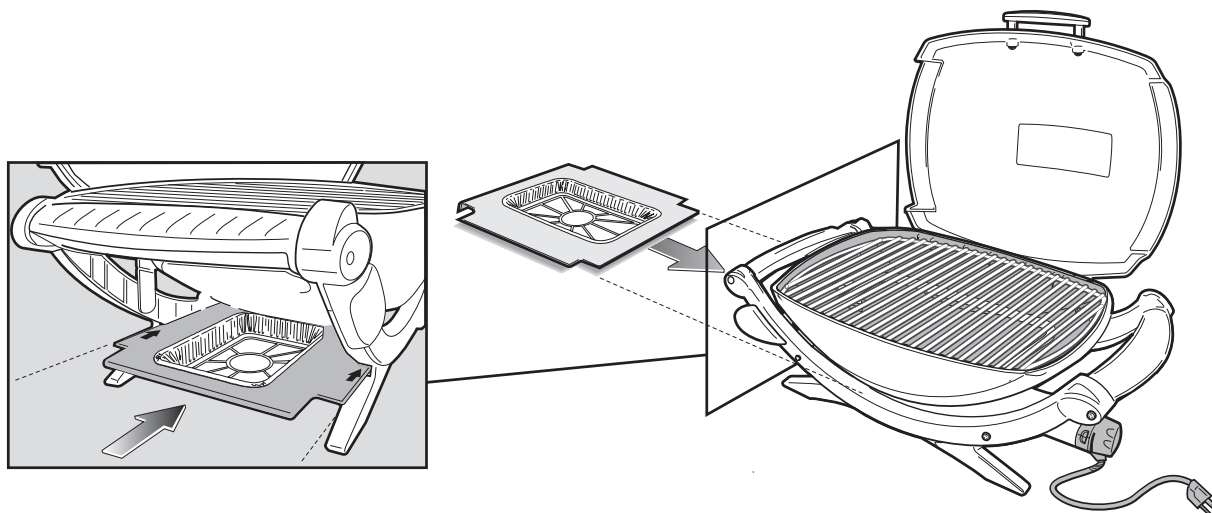
B



C



D



If you have questions or need advice regarding your grill or its safe operation contact the Customer Service Representative in your area. Use the contact information on our web site. Log onto www.weber.com.

With the Weber® electric barbecue you can grill, barbecue, roast and bake with results that are difficult to duplicate with indoor kitchen appliances. The closed lid produces that "outdoor" flavour in the food. Electricity is easy to use and gives you more cooking control than charcoal fuel.

- These instructions will give you the minimum requirements for assembling your Weber® electric barbecue. Please read the instructions carefully before using your Weber® electric barbecue. Improper assembly can be dangerous.
- Not for use by children.
- This Weber® electric barbecue is not intended for commercial use.
- Do not leave the Weber® electric barbecue unattended when it is in use.
- Any parts sealed by the manufacturer must not be altered by the user.
- Any modification of the appliance may be dangerous.
- Visually inspect cord, plug and Temperature Controller for damage and wear before operation.
- When heating the grill for the first time, it may give off a slight burning odor. The grill is burning off excess lubricants found on the heating element. This does not affect the safety of your grill.
- To prevent fire or electric shock, always use a certified electrician should new circuits or outlets be required.

- Improperly grounded outlets could cause electrical shock.
- The use of an extension cord is not recommended. If you must use an extension cord, use the shortest length extension cord possible. Do not connect 2 or more extension cords together. Keep connections off the ground and dry. Do not let cord hang over edge of table top where it can be tripped over or pulled by children. Only use extension cord labeled for outdoor use.
- Cover grill or store in weather protected area when not in use.
- Clean the grate and cookbox between uses.

STORAGE AND/OR NON-USE

- During periods of non-use, the Temperature Controller with power cord should be in the "OFF" position. Store grill indoors.

OPERATING

- ⚠ **WARNING: Your Weber® electric barbecue must not be used upon any combustible surface such as dry grass, shrubs, etc.**
- ⚠ **WARNING: Your Weber® electric barbecue is not intended for installation in or on recreational vehicles, SUVs and/or boats.**

- ⚠ **WARNING: Do not use the barbecue within 60 cm (24 in) of combustible materials from the back or sides of the grill. Do not use under any combustible construction.**
- ⚠ **WARNING: The entire cooking box gets hot when in use. Do not leave unattended.**
- ⚠ **WARNING: Keep any electrical power cord away from any heated surface.**
- ⚠ **WARNING: Keep the cooking area clear of inflammable vapours and liquids such as petrol, kerosene, alcohol, etc., and other combustible materials.**
- ⚠ **WARNING: When cooking, the appliance must be on a level, stable surface in an area clear of combustible material.**
- ⚠ **WARNING: Keep cord clear of cookbox.**

GENERAL INSTRUCTIONS

CLEANING

- ⚠ **WARNING: turn your Weber® electric barbecue OFF and wait for it to cool before cleaning.**

For availability of replacement cooking grate, contact the Customer Service Representative in your area, using the contact information on our web site. Log onto www.weber.com.

Temperature Controller with power cord - Use a warm soapy water solution and a damp rag. Wipe and completely dry off before using.

- ⚠ **WARNING: To protect against electrical shock, do not immerse any part of this appliance in water or any other liquid.**

Outside surfaces - Use a warm soapy water solution to clean, then rinse with water.

- ⚠ **CAUTION: Do not use oven cleaner, abrasive cleansers (kitchen cleansers), cleaners that contain citrus products, or abrasive cleaning pads on the barbecue.**

- ⚠ **CAUTION: Do not clean grill with metal scrubbing pads. Pieces can break off from the pad and short electrical parts.**

Cooking Grate - Clean with a suitable brass bristle brush. As needed, remove from grill and wash with warm soapy water, then rinse with water.

Grease Catch Pan - Disposable foil trays are available, or you can line the grease catch pan with aluminium foil. To clean the catch pan, wash it with warm soapy water, then rinse.

- ⚠ **Clean Grease Catch pan regularly.**

Inside cooking box - see MAINTENANCE.

Inside Lid - While lid is warm, wipe inside with paper towels to prevent grease build-up. Flaking, built-up grease resembles paint flakes.

Removable Bowl Liner - Remove excess grease, wash with warm soapy water and then rinse.

Do not use cleaners that contain acid, mineral spirit or xylene. Rinse well after cleaning.

- ⚠ **Clean Removable Bowl Liner regularly.**

COOKING

To operate the grill: Refer to the cooking instructions in this owners' manual.

To preheat the grill: Turn on the Weber® electric barbecue according to the cooking Instructions in this owners' manual. Close the lid and turn the Temperature Controller to High. Preheat the grill for 15 minutes (longer preheating time will depend on conditions such as air temperature and wind).

Note: Wind and weather may require adjustment of the Temperature Control Knob to obtain the correct cooking temperature.

Drippings and grease: Excess drippings and grease will collect in the grease catch pan (located on the underside of the grill). Disposable Weber® drip pans are available that fit the grease catch pan.

- ⚠ **WARNING: Check the grease catch pan and the removable bowl liner for grease build-up before each use. Remove excess grease to avoid a fire in the bottom of the grill.**
- ⚠ **WARNING: Do not move the Weber® electric grill when operating or while the grill is hot.**

You must preheat the grill before you cook on it. Follow the procedure as outlined in the cooking instructions on page 8 and you are ready to grill.

A light coating of oil will help brown your food evenly and keep it from sticking to the cooking grate. Always brush or spray oil onto your food, not directly onto the cooking grate.

We suggest that you grill with the lid down. Why? Because it reduces the chance of flare-ups, and cooks your food faster and more evenly.

When using a marinade, sauce or glaze with a high sugar content or other ingredients that burn easily, only brush it onto the food during the last 10 to 15 minutes of grilling.

Don't forget to regularly brush off your cooking grate and clean out the drip pan under the grill.

The following cuts, thicknesses, weights, and grilling times for food are meant to be guidelines rather than hard and fast rules. Cooking times are affected by such factors as wind, outside temperature and how well done the food should be cooked. Grill for the time given on the chart or to the desired degree of doneness, turning once halfway through the grilling time. Cooking times for beef and lamb are for "medium" cooking time, unless otherwise noted. Let thick chops and steaks rest for 5 to 10 minutes before carving. The internal temperature of the meat will rise by 5 to 10 degrees during this time.

Do not exceed 60 minutes total cooking time.

For more grilling tips and recipes, visit www.weber.com.

	Cut	Thickness and/or Weight	Approximate Grilling Time
Beef	Steak: fillet, rump or entrecote	3/4 in thick 1 in thick 1 to 1-1/2 in thick	14 to 16 minutes, High 16 to 18 minutes, High 20 to 22 minutes; High
	Kebab	1 to 1-1/2 in cubes	12 to 14 minutes, High
	Beefburger or rissole	3/4 in thick	8 to 10 minutes, High
Lamb	Lamb Chops	1-1/2 in thick	20 to 30 minutes, Medium-High
	Rack of Lamb		35 to 40 minutes, Medium
Pork	Chop: rib, loin, or shoulder	3/4 to 1 inch thick	20 minutes, High
	Loin, boneless	3/4 to 1 in thick	16 to 18 minutes, Medium
	Sausage		25 to 30 minutes, Medium
Poultry	Chicken breast, boneless, skinless	6 oz	12 to 14 minutes, Medium
	Kebab	1 to 1-1/2 in cubes	12 to 14 minutes, High
	Chicken pieces, bone-in breast/wing		40 minutes, Medium
	Chicken pieces, bone-in leg/thigh		40 minutes, Medium
Fish & Seafood	Fish, fillet or slice	1/2 to 1 in thick 1 to 1-1/4 in thick	10 to 12 minutes, High 12 to 14 minutes, High
	Prawns		2 to 5 minutes, High
	Whole Fish	1 lb 2 to 2 1/2 lb	15 to 20 minutes, Medium 20 to 30 minutes, Medium
Vegetables	Asparagus		8 to 10 minutes, High
	Corn on the cob, husked		12 to 14 minutes, High
	Corn on the cob, in husk		25 to 30 minutes, High
	Mushroom: Portabello		12 to 15 minutes, High
	Mushroom: Button		10 to 12 minutes, High
	Onion, 1/4 in slice		10 to 12 minutes, High
	Potato, 1/4 in slices		10 to 12 minutes, High
	Aubergine, 1/2 in slices		10 to 12 minutes, High
	Peppers (Whole)		12 to 15 minutes, High
	Peppers (Quartered)		8 to 10 minutes, High
	Zucchini 1/2 in		8 to 10 minutes, High
	Zucchini (Halved)		12 to 14 minutes, High

This appliance is Rated for 120 volts - 50/60Hz, 13 Amps Output: 1560W

COOKING

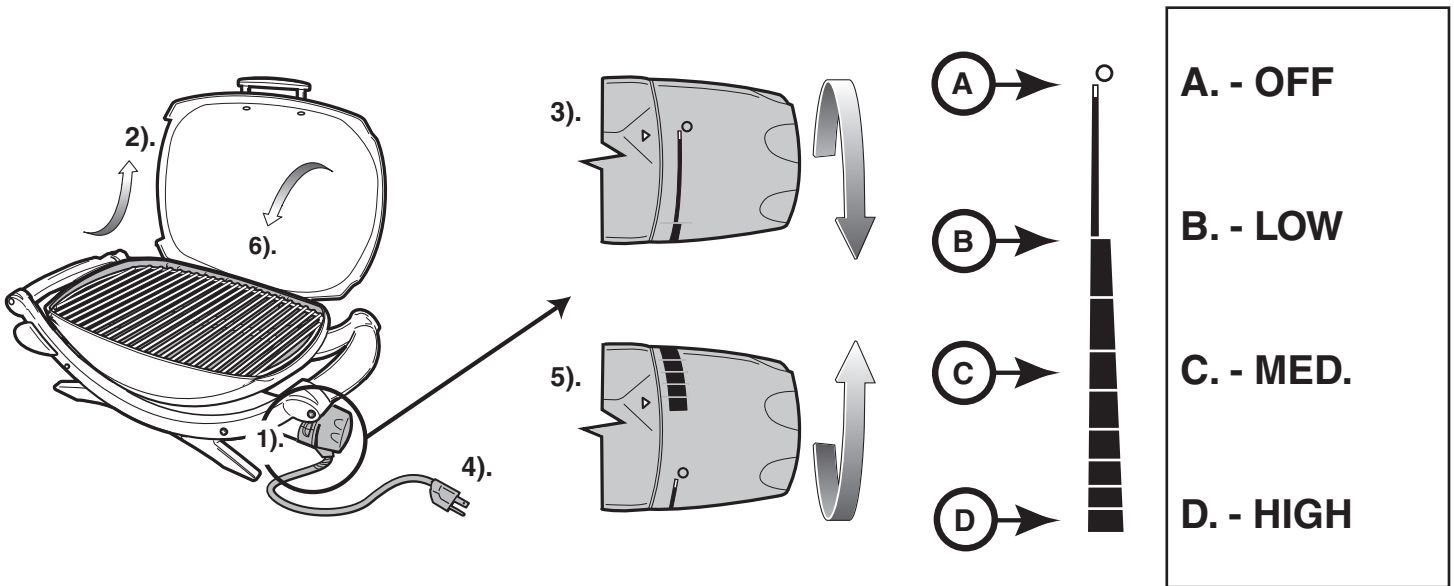
⚠ WARNING: Completely unwind power cord. Keep cord clear of cookbox.

- 1) Plug Temperature Controller into grill.
- ⚠ Always plug Temperature Controller fully into grill before plugging power cord into outlet. (See page 7, Step C)**
- 2) Open Lid.
- 3) Make sure the Temperature Controller is turned OFF. (Turn control knob counterclockwise to ensure that it is in the OFF position.)

- 4) Plug in power cord into a protected outlet.
- ⚠ The appliance should be supplied through a grounded GFI outlet, 15 amp minimum.**
- 5) Preheat the grill. Turn control knob to HIGH (clockwise). The red light indicates that power is on and the heating element is heating up.
- 6) Close lid. Preheat time will take approximately 15 minutes (when grilling in a 72°F air temperature). Colder temperatures and/or wind can cause longer preheating times.

To cook at a lower grill temperature: Preheat as previously stated. Turn the control knob counterclockwise to desired setting. Start cooking. Reference the cooking charts at end of Owner's Guide for approximate grilling times and settings for the cuts of meats listed. (adjust for conditions).

⚠ WARNING: When red light is off, heating element may still be hot.



TROUBLESHOOTING

Problem	Check	Cure
Electric grill does not turn on.	Is the Temperature Controller properly inserted into housing?	Remove and reinstall Temperature Controller. ⚠ Always plug Temperature Controller fully into grill before plugging power cord into outlet. (See page 7, Step C)
	Is red power light on and temperature control knob fully turned clockwise to HIGH?	Remove and reinstall Temperature Controller. ⚠ Always plug Temperature Controller fully into grill before plugging power cord into outlet. (See page 7, Step C)
	Is power available from outlet?	Check electrical service. Check if GFI is tripped.

If problems cannot be corrected by using these methods, please contact the Customer Service Representative in your region using the contact information on our web site. Log onto www.weber.com.

CLEANING REMOVABLE BOWL LINER

⚠ **WARNING:** turn your Weber® electric barbecue OFF and wait for it to cool before cleaning.

⚠ **WARNING:** Avoid grease build up on the grate and inside the cookbox. Regular cleaning of the grate and the removable bowl liner between uses is necessary to avoid grease build up. Improper maintenance can lead to a grease fire which can cause serious bodily injury or death, and damage to property.

- 1) Unplug Temperature Controller power cord. Grasp controller by base **behind** the control knob (a.) and pull to remove (b.).
- ⚠ **CAUTION:** Pulling controller by the knob could cause the knob to come off.
- 2) Carefully tilt the heating element slightly upwards and slide the removable bowl liner out and away from grill. Scrape the inside of the bowl liner with a plastic scraper to remove excess grease build up.

⚠ **CAUTION:** Do not use oven cleaner, abrasive cleansers (kitchen cleansers), cleaners that contain citrus products, or abrasive cleaning pads on the heating element. Do not use cleaners that contain acid, Mineral spirits or xylene.

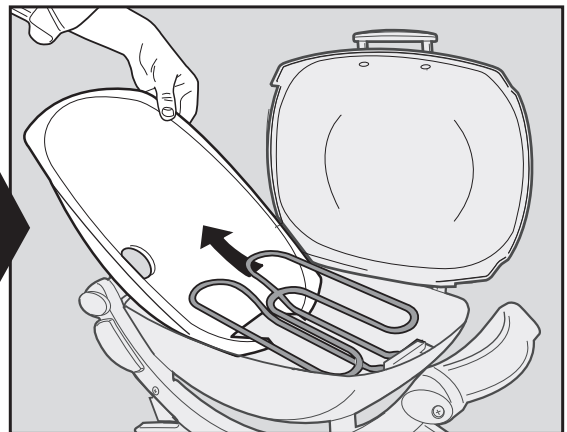
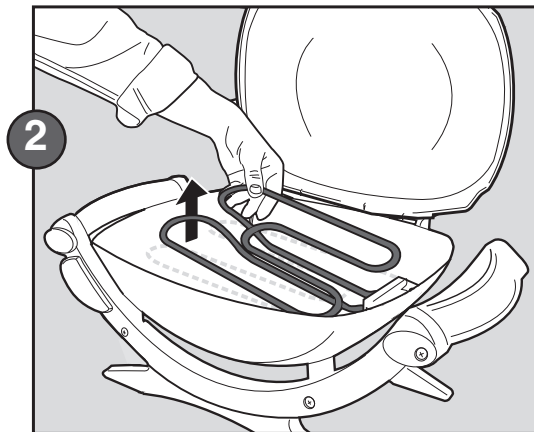
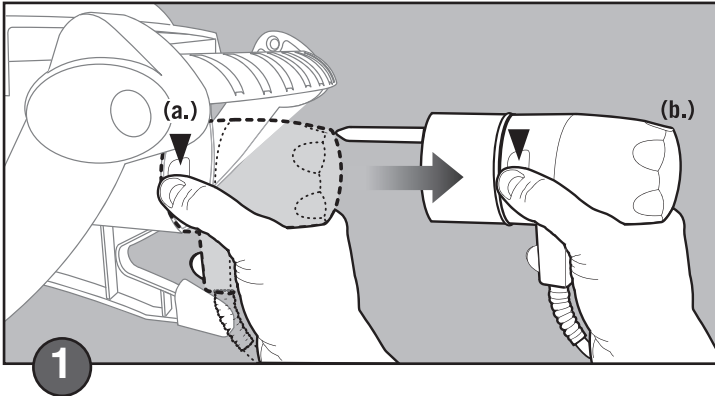
- 3) Replace removable bowl liner and Temperature Controller before use.

⚠ **Always plug Temperature Controller fully into grill before plugging power cord into outlet. (See page 7, Step C)**

Excess drippings and grease will accumulate in the grease catch pan. (Disposable foil drip pans are available that fit the grease catch pan).

⚠ **WARNING:** Check the grease catch pan for grease build-up before each use. Remove excess grease to avoid a grease fire in the grease catch pan.

⚠ **Should a grease fire occur, turn off Temperature Controller and leave lid closed until fire is out.**





**¡ADVERTENCIA!
PELIGRO POTENCIAL DE
DESCARGA ELÉCTRICA
PELIGRO**

**Este artefacto está clasificado para
120 voltios - 50/60Hz, 13 amperios**

Potencia: 1560W

**Use solamente un enchufe con regulación
de temperatura Weber Q140TC.**

**⚠ Esta barbacoa está diseñada
exclusivamente para uso doméstico al
aire libre. No la utilice ni dentro de la
casa ni para cocción comercial. Con este
artefacto no deberá utilizarse ningún
tipo de combustible, como por ejemplo
briquetas de carbón vegetal.**



**⚠ El cordón de suministro eléctrico
deberá ser revisado regularmente para
asegurarse de que no esté dañado; si
éste fuese el caso, no deberá utilizarse el
artefacto.**

MEDIDAS PREVENTIVAS IMPORTANTES

- ⚠ **PRECAUCIÓN:** Para asegurar la protección permanente contra descargas eléctricas, solamente conéctese a tomacorrientes de tres púas a prueba de fallas de tierra correctamente conectados a tierra. No utilice adaptadores de dos púas.
- ⚠ Lea toda las instrucciones.
- ⚠ **ADVERTENCIA:** Use solamente al aire libre, pero no lo exponga a la lluvia. Esto es para evitar una descarga eléctrica que pudiera ocasionar lesiones corporales serias o la muerte.
- ⚠ **ADVERTENCIA:** Desconecte el artefacto del circuito de suministro eléctrico antes de llevar a cabo cualquier mantenimiento o limpieza.
- ⚠ **ADVERTENCIA:** Para estar protegido contra riesgos de descarga eléctrica, conéctelo solamente a tomacorrientes debidamente conectados a tierra.
- ⚠ **ADVERTENCIA:** Para estar protegido contra riesgos de descargas eléctricas, mantenga la extensión eléctrica seca y levantada del suelo.
- ⚠ **PRECAUCIÓN:** Cuando no esté en uso, almacene el Regulador de Temperatura bajo techo.
- ⚠ Tome extremas precauciones al retirar las cenizas o desechar grasa caliente.
- ⚠ No lo limpie con esponjas metálicas. Pedazos pueden desprenderse de la esponja y tocar partes eléctricas, creando un riesgo de descarga eléctrica.
- ⚠ No use carbón vegetal con este artefacto.
- ⚠ No toque las superficies que pudieran estar calientes. Use las asas o perillas provistas..
- ⚠ Como protección contra las descargas eléctricas no sumerja cordones eléctricos, enchufes, artefactos electrodomésticos portátiles (u otra parte o partes específicas) en agua u otro líquido.
- ⚠ Siempre es necesario estar muy pendiente de los niños cuando se use un artefacto electrodoméstico cerca de ellos.
- ⚠ Cuando no se esté usando, antes de colocarle o retirarle partes o antes de limpiarlo, asegúrese de que el artefacto electrodoméstico esté **APAGADO** (posición OFF) y que el enchufe se haya desenchufado del tomacorriente. Deje que se enfríe antes de manipularlo.
- ⚠ No haga funcionar ningún artefacto que tenga un cordón eléctrico o enchufe dañado o después de que el artefacto haya fallado o se haya caído o dañado de cualquier manera. Contacte al Representante de Servicios al Cliente en su área utilizando la información de contacto en nuestro sitio web. Conéctese a www.weber.com.

CONSERVE ESTAS INSTRUCCIONES

41100 ESNA

- ⚠ El uso de accesorios no recomendados por Weber pudiera causar daños o lesiones.
- ⚠ No permita que el cordón eléctrico cuelgue del borde de la mesa o encimera ni toque las superficies calientes.
- ⚠ Donde aplique, siempre conecte el enchufe al artefacto y verifique que el control esté en la posición OFF (apagado) antes de enchufar el cordón eléctrico al tomacorriente. Para desconectar, coloque cualquier control en la posición "OFF" (apagado), y luego desenchufe del tomacorriente.
- ⚠ No use el asador giratorio para ningún otro uso que no sea para el cual está diseñado.
- ⚠ Evite el contacto con las piezas en movimiento.

⚠ PELIGRO

El hacer caso omiso a los avisos de Peligros, Advertencias y Precauciones contenidos en este Manual del Propietario pudiera resultar en lesiones corporales serias o la muerte, o en un fuego o explosión que cause daños a la propiedad.

⚠ ADVERTENCIAS

- ⚠ **ADVERTENCIA:** No utilice carbón vegetal u otros combustibles en esta barbacoa. Esta barbacoa no está diseñada para utilizarse con carbón vegetal; el uso del mismo pudiera resultar en un fuego. El fuego pudiera causar una condición insegura y dañar la barbacoa.
- ⚠ Siempre enchufe el Regulador de Temperatura dentro de la barbacoa antes de enchufar el cordón eléctrico en el enchufe. (Ver página 7, Paso C)
- ⚠ No haga funcionar la unidad si el enchufe está dañado.
- ⚠ Sólo haga funcionar la barbacoa sobre una superficie estable y a nivel.
- ⚠ De ninguna manera altere este producto o su uso.
- ⚠ Si se utiliza un cable de extensión, éste debe tener una capacidad nominal no menor a la del artefacto electrodoméstico. Los cables de extensión deben tener marcados la letra "W" y venir con una etiqueta que diga, "Apto para usarse con artefactos al aire libre".
- ⚠ Utilice el cable de extensión más corto posible. No conecte a 2 o más cables de extensión juntos.
- ⚠ Al limpiar el artefacto, no sumerja la parrilla o el Regulador de Temperatura en agua.
- ⚠ No deje el Regulador de Temperatura en la posición ON (encendida) mientras no se esté usando el artefacto.
- ⚠ No deje al electrodoméstico desatendido mientras esté en uso.
- ⚠ Mantenga a los niños y a las mascotas alejados de la barbacoa cuando ésta se esté usando.
- ⚠ Los niños chicos deberán estar supervisados para asegurarse de que no jueguen con el artefacto.
- ⚠ Este artefacto no está diseñado para ser utilizado por niños chicos o personas enfermas a menos que estén adecuadamente supervisados por una persona responsable para asegurarse de que lo utilicen de manera segura.
- ⚠ Limpie de manera frecuente la bandeja de recolección de grasa.
- ⚠ Coloque el cordón eléctrico alejado de las zonas de tráfico. Coloque el cordón eléctrico de manera que no pueda ser halado o tropezarse con él.
- ⚠ No utilice la barbacoa en la cercanía de materiales combustibles como la grama seca, arbustos, etc.
- ⚠ No permita que la barbacoa entre contacto con materiales inflamables como el papel, paredes, cortinas, toallas, productos químicos, etc.
- ⚠ No lo use como un calentador.
- ⚠ No mueva la barbacoa mientras esté en uso. Permita que el artefacto se enfríe antes de moverlo, limpiarlo o almacenarlo.
- ⚠ No utilice la barbacoa mientras esté lloviendo o nevando.
- ⚠ Para prevenir que a la barbacoa le salpique o caiga agua, no la utilice a una distancia menor de 10 pies de cualquier cuerpo de agua como una alberca o estanque.
- ⚠ No opere la barbacoa con un Regulador de Temperatura que tenga el cordón eléctrico o enchufe dañado. Llame a Weber para solicitar un Regulador de Temperatura de repuesto. El Regulador de Temperatura está fabricado específicamente para esta barbacoa.
- ⚠ El halar el Regulador de Temperatura por la perilla pudiera ocasionar que ésta se desprenda. Saque el Regulador de Temperatura agarrándolo por su lado como se muestra la página 11, fig. 1.
- ⚠ No permita que el cordón eléctrico toque la barbacoa cuando ésta esté caliente.
- ⚠ Esta barbacoa está diseñada exclusivamente para uso doméstico al aire libre. No la utilice ni dentro de la casa ni para cocción comercial.
- ⚠ Si ocurriese una llamarada, no utilice agua para apagar el fuego. Gire el interruptor a la posición OFF (apagado). Desenchufe el cordón eléctrico y espere a que la barbacoa se enfríe.
- ⚠ Asegúrese de que ningún otro artefacto de alto vataje esté enchufado al mismo circuito cuando se esté utilizando la barbacoa.
- ⚠ No limpie este producto con agua rociada o algo parecido.
- ⚠ Desenchufe la barbacoa cuando no se esté usando y cúbrala cuando ya se haya enfriado. Almacene el artefacto de manera apropiada dentro de casa cuando no se esté usando; asegúrese de que quede fuera del alcance de los niños.
- ⚠ Use esta barbacoa solamente de la manera como está descrita en este manual. Cualquier otro uso no recomendado en este manual pudiera causar fuegos, descargas eléctricas o lesiones a las personas.
- ⚠ Asegúrese siempre de que el enchufe que se está utilizando tenga la clasificación correcta. Enchufe debe tener una capacidad no menor de 120 CA y 13 amperios.
- ⚠ Este artefacto cumple con las normas técnicas y los requisitos de seguridad para los dispositivos eléctricos.
- ⚠ La bandeja recolectora de grasa debe estar colocada en su lugar en todo momento durante la operación de la barbacoa.
- ⚠ No construya este modelo de barbacoa en ninguna construcción en la que la barbacoa esté incorporada de manera fija o deslizable. El no acatar esta Advertencia pudiera causar un fuego o una explosión que pudiera causar daños a la propiedad y heridas corporales graves o la muerte.

Si tuviese cualquier pregunta o necesita algún consejo respecto a la barbacoa o la operación segura de ésta, póngase en contacto con el Representante de Atención al Cliente en su zona. Utilice la información de contacto en nuestro sitio web. Conéctese a www.weber.com.

Con la barbacoa eléctrica Weber® usted puede asar de manera convencional, a la barbacoa y al horno con unos resultados que son difíciles de duplicar con los artefactos de cocina de la casa. La tapa cerrada es la que produce ese sabor a "aire libre" en la comida. La electricidad es fácil de usar y le da a usted más control al cocinar que el combustible de carbón.

- Estas instrucciones le indicarán los requisitos mínimos para ensamblar la barbacoa eléctrica Weber®. Por favor lea cuidadosamente las instrucciones antes de utilizar la barbacoa eléctrica Weber®. Un ensamblaje incorrecto puede ser peligroso.
- No debe ser usada por niños.
- Esta barbacoa eléctrica Weber® no está diseñada para uso comercial.
- No deje a la barbacoa eléctrica Weber® desatendida mientras se esté utilizando.
- Ninguna parte sellada por el fabricante debe ser alterada por el usuario.
- Cualquier modificación al artefacto puede ser peligrosa.
- Antes de la operación, inspeccione visualmente el cordón eléctrico, el enchufe y el Regulador de Temperatura para asegurarse de que no estén dañados o desgastados.
- Al calentar la barbacoa por primera vez, pudiera desprenderse un leve olor a quemado. Lo que sucede es que la parrilla está quemando lubricantes en exceso que se encuentran en su elemento calentador. Esto no afecta la seguridad de la barbacoa.

- Para prevenir un fuego o descarga eléctrica, deberá utilizarse siempre un electricista certificado si deben colocarse circuitos o enchufes nuevos.
- Los enchufes incorrectamente conectados a tierra pudieran causar descargas eléctricas.
- No se recomienda el uso de un cable de extensión. Si tiene que usar un cable de tensión, use uno con la menor longitud posible. No conecte a 2 o más cables de extensión juntos. Mantenga las conexiones secas y levantadas del piso. No permita que el cordón cuelgue del borde de una encimera de manera que se pueda tropezar con él o ser halado por los niños. Use solamente cables extensión con etiquetas que indiquen que pueden usarse a la intemperie.
- Cuando no se esté utilizando, tape la barbacoa o almacénala en un sitio protegido contra las inclemencias del tiempo.
- Entre usos, limpie las rejillas y la caja de cocción.

ALMACENAMIENTO Y/O SIN USARSE

- Durante periodos en que nos esté usando, el Regulador de Temperatura con el cordón de suministro eléctrico deberá estar colocado en la posición "OFF" (apagado). Almacene la barbacoa bajo techo.

OPERACIÓN

- ⚠ **ADVERTENCIA: La barbacoa eléctrica Weber® no deberá utilizarse sobre superficies combustibles tales como grama seca, arbustos, etc.**

⚠ **ADVERTENCIA: La barbacoa eléctrica Weber® no ha sido diseñada para instalarse en o sobre vehículos o botes recreativos.**

⚠ **ADVERTENCIA: No utilice la barbacoa con la parte posterior o lateral de la misma a menos de 60 centímetros (24 pulgadas) de distancia de materiales combustibles. No la utilice debajo de ninguna construcción combustible.**

⚠ **ADVERTENCIA: La caja de cocción entera se calienta al usarse. No la deje desatendida.**

⚠ **ADVERTENCIA: Mantenga todo cable eléctrico alejado de cualquier superficie caliente.**

⚠ **ADVERTENCIA: Mantenga el área de cocinar libre de vapores y líquidos inflamables tales como gasolina, alcohol, etc. y de otros materiales combustibles.**

⚠ **ADVERTENCIA: Cuando se esté cocinando, el aparato deberá estar sobre una superficie nivelada y estable en un área libre de materiales combustibles.**

⚠ **ADVERTENCIA: Mantenga el cordón eléctrico alejado de la caja de cocción.**

INSTRUCCIONES GENERALES

LIMPIEZA

⚠ **ADVERTENCIA: Apague la barbacoa eléctrica Weber® y espere a que se enfríe antes de limpiarla.**

Para la disponibilidad de parrillas de cocción de reemplazo contacte al Representante de Servicio a los Clientes en su área usando la información de contacto en nuestro sitio en la Internet. Conéctese a www.weber.com.

Regulador de Temperatura con cordón eléctrico

- Utilice una solución de agua jabonosa tibia y un trapo húmedo. Pase el trapo y seque el artefacto completamente antes de usarlo.

⚠ **ADVERTENCIA: Para protegerse contra descargas eléctricas, no sumerja ninguna parte de este artefacto en agua o cualquier otro líquido.**

Superficies externas - Utilice una solución de agua jabonosa tibia para limpiarlas y luego enjuáguelas con agua.

⚠ **PRECAUCIÓN: Sobre la superficie de la barbacoa no utilice limpiadores de hornos, limpiadores abrasivos (limpiadores de cocinas), limpiadores que contengan productos cítricos, o almohadillas de limpieza abrasivas.**

⚠ **PRECAUCIÓN: No la limpie con esponjas metálicas. Piezas de la almohadilla pueden romperse y causar un cortocircuito con las partes eléctricas.**

Parrilla de cocción - Límpiela con un cepillo de cerda de latón adecuado. Según se requiera, retirela de la barbacoa y lávela con agua jabonosa tibia y luego enjuáguela con agua.

Plato recolector - Hay disponibles bandejas desechables de lámina de metal, o usted mismo puede forrar el plato recolector con papel aluminio. Para

limpiar el plato recolector, lávelo con agua jabonosa tibia y luego enjuáguelo.

⚠ **Limpie frecuentemente el plato recolector de grasa.**

Parte interna de la caja de cocción -vea la sección de MANTENIMIENTO.

Tapa interna - Mientras la tapa esté tibia, limpie la parte interna con una toalla de papel para prevenir la acumulación de grasa. La grasa acumulada escamada se asemeja a las escamas de pintura.

Forro de quita y pon del tazón - Retire el exceso de grasa, lávelo con agua jabonosa tibia y luego enjuáguelo.

No utilice limpiadores que contengan ácido, destilado de petróleo o xileno. Enjuague bien después de lavar.

⚠ **Limpie frecuentemente el forro de quita y pon del tazón.**

COCCIÓN

Para operar la barbacoa: Consulte las instrucciones para cocinar en el manual del propietario.

Para precalentar la parrilla: Encienda la barbacoa eléctrica Weber® de acuerdo a las instrucciones de cocción en este manual del propietario. Cierra la tapa y gire el Regulador de Temperatura a la posición HIGH (fuego alto). Precaliente la parrilla durante 15 minutos (se pudiera requerir un mayor tiempo de precalentamiento dependiendo de tales condiciones como la temperatura del aire y el viento).

Nota: De acuerdo al viento y al tiempo quizás se necesite tener que ajustar la perilla de Control de la Temperatura para obtener la temperatura de cocción correcta.

Pringues y grasa: Los pringues y la grasa en exceso caerán al plato recolector de grasa (ubicado en la parte inferior de la barbacoa). Hay disponibles bandejas de goteo desechables Weber® que caben en la plato recolector de grasa.

⚠ **ADVERTENCIA: Antes de cada uso, verifique que no haya grasa acumulada en el plato recolector y en el forro de quita y pon del tazón. Retire el exceso de grasa para evitar que se incendie el fondo de la barbacoa.**

⚠ **ADVERTENCIA: No mueva la barbacoa eléctrica Weber® mientras ésta esté en operación o esté caliente.**

Debe precalentar la barbacoa antes de cocinar en ella. Siga el procedimiento descrito en las instrucciones para cocinar en la página 8 y usted estará listo para comenzar a asar.

Una leve capa de aceite ayudará a dorar la comida de manera pareja y prevendrá que se ésta se pegue a la parrilla de cocción. Siempre aplique el aceite, a cepillo o como spray, sobre la comida, no sobre la parrilla de cocción.

Le sugerimos que ase con la tapa cerrada. ¿Por qué? Porque reduce las posibilidades de llamaradas, y cocina su comida de manera más rápida y más pareja.

Cuando se use un adobo, salsa, o glaseado con un alto contenido de azúcar u otros ingredientes que se queman con facilidad, aplíquelos con cepillo a la comida solamente durante los últimos 10 a 15 minutos del asado.

No se olvide de limpiar frecuentemente la parrilla de cocción con un cepillo y de vaciar la bandeja de goteo debajo de la barbacoa.

Los siguientes cortes, espesores, pesos, y tiempos de asado son dados como guías generales y no como reglas absolutas. Los tiempos de cocción pueden verse afectados por tales factores como el viento, la temperatura a la intemperie y cuán bien cocinados desea los alimentos. Ase durante el tiempo indicado en la tabla o hasta obtener el grado de cocido deseado, dándole vuelta a la mitad del tiempo de asado. Los tiempos de cocción para las carnes de vaca y de borrego son para un cocido medio, a menos que se indique lo contrario. Deje que las chuletas y bistecs gruesos reposen 5 a 10 minutos antes de cortar. La temperatura interna de la carne subirá de 3 a 6 grados durante este lapso.

No se sobrepase de un tiempo total de cocción de más de 60 minutos.

Para sugerencias y recetas de asados, visite www.weber.com.

	Corte	Grosor y/o peso	Tiempo aproximado de asado
Carne de res	Bistec: filete, cadera o entrecot	3/4 pulgada de espesor 1 pulgada de espesor 1 a 1-1/2 pulgadas de espesor	14 a 16 minutos a fuego alto 16 a 18 minutos a fuego alto 20 a 22 minutos a fuego alto
	Pincho	Cubos de 1 a 1-1/2 pulgadas	12 a 14 minutos a fuego alto
	Frituras o croquetas de carne	3/4 pulgada de espesor	8 a 10 minutos a fuego alto
Cordero	Chuletas de cordero	1-1/2 pulgadas de espesor	20 a 30 minutos a fuego medio-alto
	Costillar de cordero		35 a 40 minutos a fuego medio
Cerdo	Chuleta: costilla, lomo o paleta	3/4 a 1 pulgada de espesor	20 minutos a fuego alto
	Lomo, deshuesado	3/4 a 1 pulgada de espesor	16 a 18 minutos a fuego medio
	Salchicha		25 a 30 minutos a fuego medio
Carnes de ave	Pechuga de pollo, deshuesada y sin piel	6 onzas	12 a 14 minutos a fuego medio
	Pincho	Cubos de 1 a 1-1/2 pulgadas	12 a 14 minutos a fuego alto
	Piezas de pollo, pechuga/ala con hueso		40 minutos a fuego medio
	Pedazos de pollo, pierna/muslo con hueso		40 minutos a fuego medio
Pescado y mariscos	Pescado, filete o rodaja	1/2 a 1 pulgada de espesor 1 a 1-1/4 pulgadas de espesor	10 a 12 minutos a fuego alto 12 a 14 minutos a fuego alto
	Camarones		2 a 5 minutos a fuego alto
	Pescado entero	1 lb 2 a 2 1/2 libras	15 a 20 minutos a fuego medio 20 a 30 minutos a fuego medio
Vegetales	Espárragos		8 a 10 minutos a fuego alto
	Mazorca de maíz, pelada		12 a 14 minutos a fuego alto
	Mazorca de maíz, sin pelar		25 a 30 minutos a fuego alto
	Hongos: Portobello		12 a 15 minutos a fuego alto
	Hongos: Champiñones		10 a 12 minutos a fuego alto
	Cebolla, rodaja de 1/4 pulgada		10 a 12 minutos a fuego alto
	Papa, rodajas de 1/4 pulgada		10 a 12 minutos a fuego alto
	Berenjena, rebanadas de 1/2 pulgada		10 a 12 minutos a fuego alto
	Pimientos (enteros)		12 a 15 minutos a fuego alto
	Pimientos (cortados en cuatro pedazos)		8 a 10 minutos a fuego alto
	Calabacines, 1/2 pulgada		8 a 10 minutos a fuego alto
	Calabacines (picados por la mitad)		12 a 14 minutos a fuego alto

**La especificación eléctrica nominal de este artefacto es de 120 voltios, 50/60Hz y 13 amperios.
Potencia: 1560W**

COCCIÓN

⚠ **ADVERTENCIA:** Desenrolle completamente el cordón eléctrico. Mantenga el cordón eléctrico alejado de la caja de cocción.

1) Enchufe el Regulador de Temperatura a la barbacoa.

⚠ **Siempre enchufe el Regulador de Temperatura completamente dentro de la barbacoa antes de enchufar el cordón eléctrico en el tomacorriente. (Ver página 7, Paso C)**

- 2) Abra la tapa.
- 3) Asegúrese de que el Regulador de Temperatura esté APAGADO (OFF). (Gire la perilla de control en dirección contraria a las agujas del reloj para asegurarse de que esté en la posición "OFF" (apagado).)
- 4) Enchufe el cordón eléctrico en un tomacorriente protegido.

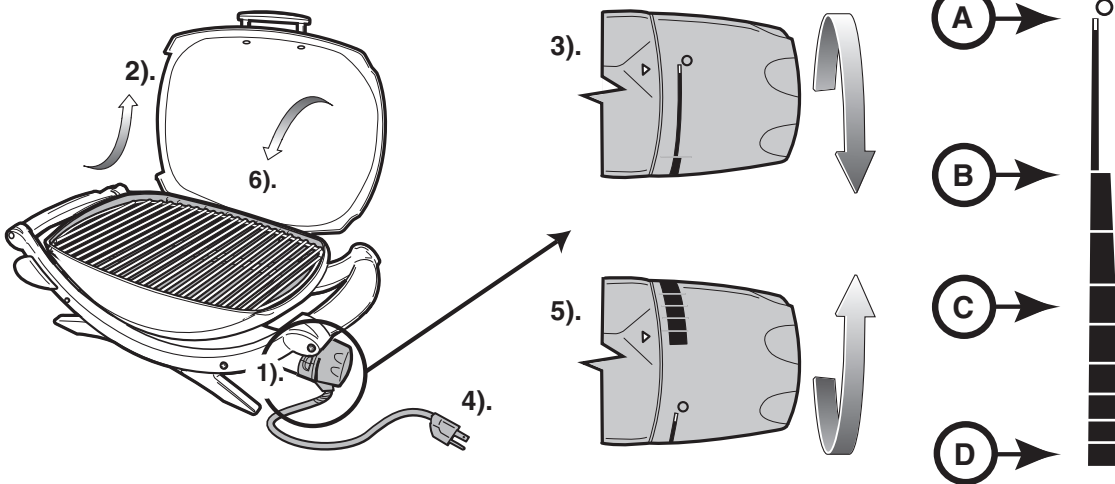
⚠ **El suministro eléctrico al artefacto deberá provenir de un tomacorriente del tipo GFI (interruptor accionado por pérdida de conexión a tierra) conectado a tierra, de por lo menos 15 amperios.**

- 5) Precalente la barbacoa. Gire la perilla de control en dirección de las agujas del reloj a la oposición HIGH (fuego alto). La luz roja indica que el artefacto está encendido y que el elemento calentador se está calentando.

- 6) Abra la tapa. El tiempo de precalentamiento es de alrededor de 15 minutos (cuando se está asando a una temperatura del aire de 72 °F). Temperaturas más frías o el viento pudieran hacer que se requieran tiempos de precalentamiento mayores.

Para cocinar a una temperatura más baja: Precalente como se indicó anteriormente. Gire la perilla de control en dirección contraria a las agujas del reloj hasta el ajuste deseado. Comience a cocinar. Consulte las tablas de cocción al final de la Guía del Propietario para los tiempos y ajustes aproximados para la cocción de los cortes de carne enumerados. (ajuste según las condiciones).

⚠ **ADVERTENCIA:** Aunque la luz roja esté apagada, el elemento calentador pudiera estar aún caliente.



A. - OFF

B. - LOW

C. - MED.

D. - HIGH

RESOLUCIÓN DE PROBLEMAS

Problema	Revisar	Remedio
La barbacoa eléctrica no se enciende.	¿Está el Regulador de Temperatura debidamente insertado dentro de su carcasa?	Saque y vuelva a instalar el Regulador de Temperatura. ⚠ Siempre enchufe el Regulador de Temperatura completamente dentro de la barbacoa antes de enchufar el cordón eléctrico en el tomacorriente. (Ver página 7, Paso C)
	¿Está encendida la luz roja y la perilla del control de temperatura totalmente girada en dirección de las agujas del reloj a la posición HIGH?	Saque y vuelva a instalar el Regulador de Temperatura. ⚠ Siempre enchufe el Regulador de Temperatura completamente dentro de la barbacoa antes de enchufar el cordón eléctrico en el tomacorriente. (Ver página 7, Paso C)
	¿Hay corriente eléctrica en el tomacorriente?	Revise el servicio eléctrico. Revise si el interruptor de protección a tierra se ha disparado.

Si los problemas no pueden corregirse utilizando estos métodos, por favor contacte al Representante de Atención a los Clientes en su región usando la información de contacto en nuestro sitio en la Internet. Conéctese a www.weber.com®.

LIMPIEZA DEL FORRO DE QUITA Y PON DEL TAZÓN

⚠ **ADVERTENCIA:** apague la barbacoa eléctrica Weber® y espere a que se enfríe antes de limpiarla.

⚠ **ADVERTENCIA:** Evite la acumulación de grasa sobre la parrilla y la parte interna de la caja de cocción. Es necesaria la limpieza frecuente de la parrilla y del forro de quita y pon del tazón para evitar la acumulación de grasa. El mantenimiento inapropiado puede conducir a un incendio de grasa, el cual puede causar lesiones corporales serias o la muerte, o daños a la propiedad.

1) Desenchufe el cordón eléctrico del Regulador de Temperatura. Agarre el regulador por su base detrás de la perilla del control (a.) y hágalo para sacarlo (b.).

⚠ **PRECAUCIÓN:** El halar el regulador por la perilla pudiera ocasionar que ésta se desprenda.

2) Con cuidado incline el elemento calentador ligeramente hacia arriba y deslice el forro de quita y pon del tazón hacia afuera de la barbacoa. Raspe la parte interna del tazón con una rasqueta plástica para eliminar el exceso de grasa acumulada.

⚠ **PRECAUCIÓN:** Sobre el elemento calentador no utilice limpiadores de hornos, limpiadores abrasivos (limpiadores de cocinas), limpiadores que contengan productos cítricos, o almohadillas de limpieza abrasivas. No utilice limpiadores que contengan ácido, destilado de petróleo o xileno.

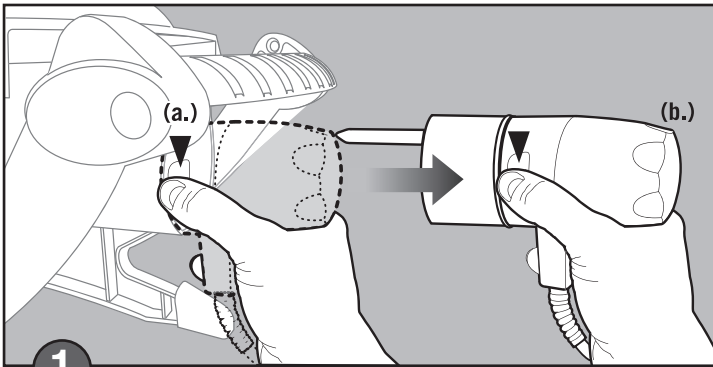
3) Vuelva a colocar en su sitio el forro de quita y pon del tazón y el Regulador de Temperatura antes de volver a utilizar la barbacoa.

⚠ **Siempre enchufe el Regulador de Temperatura completamente dentro de la barbacoa antes de enchufar el cordón eléctrico en el tomacorriente. (Ver página 7, Paso C).**

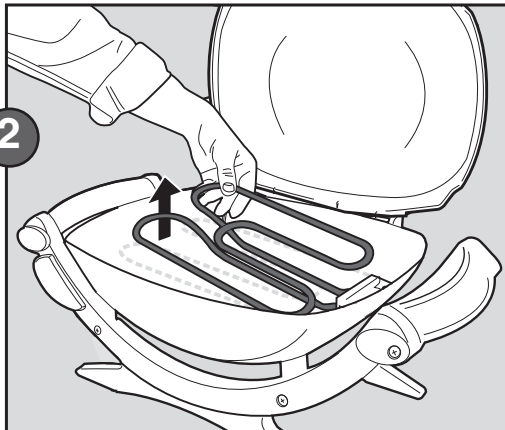
En el plato recolector de grasa se acumulará el exceso de pingues y grasa. (Hay disponibles bandejas de goteo desechables que caben en el plato recolector).

⚠ **ADVERTENCIA:** Antes de cada uso, verifique que no haya grasa acumulada en la bandeja de goteo. Retire el exceso de grasa para evitar que se incendie el plato recolector.

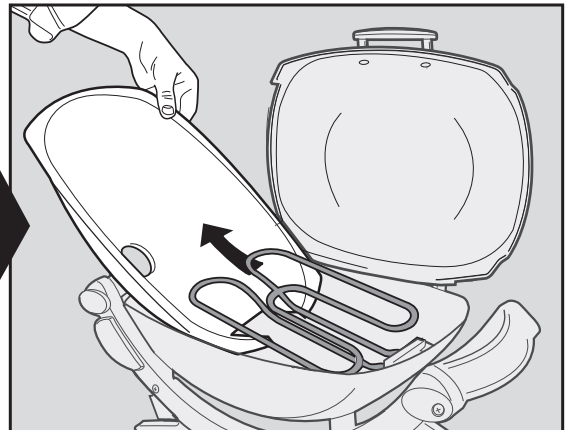
⚠ **Si la grasa llegase a agarrar fuego, apague el Regulador de Temperatura y mantenga la tapa cerrada hasta que se haya apagado el fuego.**



1



2



PLACE STICKER HERE

Assemblage - Pg 7**AVERTISSEMENT !
RISQUE POTENTIEL
D'ELECTROCUTION**

Cet appareil est conçu pour fonctionner sur un courant de type
120 volts - 50/60Hz, 13 A

Puissance: 1560W

N'utilisez qu'une prise de contrôle de température de type Weber Q140TC.



⚠ Ce grill a été exclusivement conçu pour être utilisé en extérieur. Ne l'utilisez pas en intérieur ou à des fins commerciales. Le barbecue électrique n'est pas conçu pour être alimenté aux briquettes de charbon de bois.

⚠ Le cordon d'alimentation doit faire l'objet d'inspections régulières afin de vérifier s'il présente des dommages et il est impératif de ne pas utiliser l'appareil si le cordon est endommagé.

CONSIGNES DE SECURITE

- ⚠ ATTENTION: afin de garantir une protection permanente contre les décharges électriques, branchez l'appareil à une prise à trois broches correctement mises à la terre. N'utilisez pas de connecteur à deux broches.
- ⚠ Lisez toutes les instructions.
- ⚠ AVERTISSEMENT: n'utilisez qu'en extérieur, évitez de l'exposer à la pluie afin d'éviter toute décharge électrique susceptible de provoquer des blessures corporelles ou la mort.
- ⚠ AVERTISSEMENT: Débranchez l'appareil du circuit d'alimentation électrique avant de procéder à son entretien ou nettoyage.
- ⚠ AVERTISSEMENT: afin d'éviter toute décharge électrique, ne branchez l'appareil qu'à des prises mises à la terre.
- ⚠ AVERTISSEMENT: afin d'éviter toute décharge électrique, veillez à ce que la rallonge reste sèche et soit placée au-dessus du sol.
- ⚠ ATTENTION: rangez le contrôleur de température en intérieur si vous ne l'utilisez pas.
- ⚠ Soyez extrêmement prudent lorsque vous retirez le bac ou jetez la graisse chaude.
- ⚠ Evitez d'utiliser des grattoirs métalliques pour le nettoyage. Les poils de la brosse peuvent se casser et entrer en contact avec les composants électriques et provoquer des décharges électriques.
- ⚠ N'utilisez pas de charbon de bois avec cet appareil.
- ⚠ Ne touchez les surfaces susceptibles d'être brûlantes. Utilisez les poignées ou les boutons fournis.
- ⚠ Afin d'éviter toute décharge électrique, ne plongez pas le cordon, les prises, les appareils portables (ou toute autre pièce spécifique) dans l'eau ou un autre liquide.
- ⚠ Une surveillance stricte est nécessaire lorsque l'appareil est utilisé par des enfants ou à proximité.
- ⚠ Assurez-vous que l'appareil est éteint et débranchez-le si vous ne l'utilisez pas, avant d'installer des pièces ou d'en retirer et avant de procéder au nettoyage. Laissez-le refroidir avant de le manipuler.
- ⚠ Ne mettez pas en route l'appareil si le cordon ou la prise est endommagé ou si l'appareil présente des dysfonctionnements ou s'il est renversé ou endommagé. Contactez l'agent du service client le plus proche aux coordonnées de contact figurant sur notre site Web. Allez sur www.weber.com.
- ⚠ L'utilisation d'accessoires non recommandés par Weber peut provoquer des dommages matériels ou des blessures.
- ⚠ Ne laissez pas le cordon pendre du rebord de la table ou du comptoir et ne touchez pas les surfaces brûlantes.
- ⚠ Fixez toujours une prise à l'appareil et vérifiez que le bouton soit réglé sur OFF avant de brancher le cordon à la prise murale. Pour mettre hors tension, réglez le bouton sur OFF, puis retirez la fiche de la prise murale.
- ⚠ N'utilisez pas l'appareil à d'autres fins que celles pour lesquelles il a été conçu.
- ⚠ Evitez de toucher les parties en mouvement.

VEUILLEZ CONSERVER CES INSTRUCTIONS

41100 FC

⚠ DANGER

Le non-respect des consignes figurant dans les intitulés Danger, Avertissement et Attention du manuel utilisateur risque de provoquer des blessures corporelles ou la mort, un incendie ou une explosion entraînant des dommages matériels.

⚠ AVERTISSEMENTS

- ⚠ **AVERTISSEMENT:** n'utilisez pas de charbon de bois ou tout autre carburant inflammable dans ce grill. Cet appareil n'est pas conçu pour être alimenté au charbon de bois afin d'éviter toute explosion. Le feu pourrait entraîner un risque et endommager le grill.
- ⚠ Branchez toujours le contrôleur de température au grill avant de brancher le cordon à la prise murale. (Voir page 7, Etape C).
- ⚠ Ne mettez pas l'appareil en marche si la prise secteur est cassée.
- ⚠ Mettez le grill en route sur une surface stable et plate.
- ⚠ N'altérez en aucun cas le produit ou son usage.
- ⚠ Si vous utilisez une rallonge, il doit posséder des caractéristiques au moins équivalentes à celle de l'appareil. Les rallonges doivent porter la lettre "W" et une étiquette accompagnée de la mention suivante, "Convient aux appareils à usage en extérieur".
- ⚠ Utilisez la rallonge la plus courte possible. Ne branchez pas plus de deux rallonges.
- ⚠ Ne plongez pas le grill ou le contrôleur de température dans l'eau lors du nettoyage.
- ⚠ Ne laissez pas le contrôleur de température allumé si vous ne l'utilisez pas.
- ⚠ Gardez toujours un oeil attentif sur le grill lorsqu'il est utilisé.
- ⚠ Maintenez les enfants et les animaux domestiques à l'écart du grill.
- ⚠ Surveillez les enfants afin de vous assurer qu'ils ne jouent pas avec l'appareil.
- ⚠ Cet appareil ne doit en aucun cas être utilisé par des enfants en bas âge ou des personnes souffrant de handicap mental à moins qu'ils ne soient placés sous la surveillance d'une personne responsable de manière à s'assurer qu'ils utilisent l'appareil en toute sécurité.
- ⚠ Nettoyez le bac à graisse régulièrement.
- ⚠ Placez le cordon d'alimentation hors des zones de passage. Placez-le de manière à éviter que quelqu'un ne trébuche ou ne tire dessus.
- ⚠ N'utilisez pas le grill à proximité de matériaux inflammables tels que le gazon sec, les arbustes, etc.
- ⚠ Veillez à éviter que le grill entre en contact avec des matériaux inflammables tels que le papier, les murs, le linge de maison, les serviettes, les produits chimiques, etc.
- ⚠ Ne l'utilisez pas comme radiateur.
- ⚠ Ne déplacez pas le grill s'il est en marche. Laissez-le refroidir avant de le déplacer, le nettoyer ou le ranger.
- ⚠ N'utilisez pas le grill s'il pleut ou s'il neige.
- ⚠ Afin d'éviter que le grill ne soit éclaboussé d'eau ou qu'il ne tombe dedans, ne l'utilisez pas à moins de 10 pieds (3 m) d'un espace d'eau tel qu'un bassin ou une piscine.
- ⚠ N'utilisez pas le grill si la prise ou le cordon du contrôleur de température est endommagé. Appelez Weber pour demander un contrôleur de rechange. Celui-ci est spécialement conçu pour ce grill.
- ⚠ Evitez de tirer le bouton pour démonter le contrôleur de température. Retirez-le en le saisissant sur les côtés comme indiqué dans la page 7, fig. 1.
- ⚠ Veillez à ce que le cordon ne touche pas le grill s'il est chaud.
- ⚠ Ce grill est conçu pour être utilisé en extérieur. Ne l'utilisez pas en intérieur ou à des fins commerciales.
- ⚠ En cas d'étincelles, n'essayez pas d'éteindre le feu avec de l'eau. Eteignez le grill. Débranchez le cordon et laissez le grill refroidir.
- ⚠ Veillez à ce qu'aucun autre appareil à haute consommation en watts ne soit branché dans le même circuit lorsque vous utilisez le grill.
- ⚠ Ne le nettoyez pas à l'aide d'un pulvérisateur d'eau.
- ⚠ Débranchez le grill si vous ne l'utilisez pas et bâchez-le une fois froid. Rangez l'appareil à l'intérieur hors de portée des enfants.
- ⚠ Utilisez ce grill conformément aux instructions du manuel. Toute autre utilisation non recommandée dans ce manuel risque de provoquer un incendie, une décharge électrique et des blessures.
- ⚠ Veillez à vous assurer que la prise électrique utilisée possède les bonnes caractéristiques. Elle doit être conçue pour le courant 120 V Ca, 13 A.
- ⚠ Cet appareil est conforme aux normes techniques et aux exigences de sécurité pour les appareils électriques.
- ⚠ Le bac à graisse doit être installé en permanence pendant l'utilisation du grill.
- ⚠ N'insérez pas ce modèle de grill dans une construction intégrée ou coulissante. Le non-respect de cette mise en garde pourrait provoquer une décharge électrique ou une explosion susceptible d'entraîner des dommages matériels ou des blessures corporelles.

Si vous avez des questions ou avez besoin d'une assistance concernant votre grill ou son fonctionnement, contactez l'agent de service client le plus proche. Utilisez les coordonnées de contact figurant sur notre site Web. Allez sur www.weber.com.

Avec le barbecue électrique Weber®, vous pouvez griller, cuire au barbecue, rôtir et cuire et obtenir des résultats dont les appareils de cuisson pour intérieur sont incapables. Le couvercle fermé procure cette saveur "extérieur" aux aliments. L'électricité est facile à utiliser et vous confère une plus grande maîtrise que le charbon.

- Ces instructions vous fourniront les exigences minimum pour l'assemblage de votre barbecue électrique Weber®. Veuillez lire attentivement les instructions avant d'utiliser votre barbecue électrique Weber®. Un assemblage défectueux peut s'avérer dangereux.
- Tenir les enfants hors de portée du barbecue.
- Cet appareil électrique Weber® ne peut être utilisé à des fins commerciales.
- Gardez toujours un œil attentif sur votre barbecue électrique Weber® lorsqu'il est en marche.
- Les pièces scellées par le fabricant ne peuvent être modifiées par l'utilisateur.
- Toute modification de l'appareil peut s'avérer dangereuse.
- Procédez à une inspection visuelle du cordon, de la prise et du contrôleur de température afin de vérifier s'ils présentent des dommages ou des marques d'usure.
- Lorsque vous chauffez le grill pour la première fois, il se peut qu'il dégage une odeur de brûlé. Le grill brûle les lubrifiants qui se trouvent sur l'élément chauffant. Cela n'a aucune incidence sur la sécurité de votre grill.

- Afin d'éviter toute décharge électrique ou tout incendie, faites toujours appel à un électricien qualifié si de nouveaux circuits ou de nouvelles prises l'exigent.
- Les prises incorrectement mises à la terre peuvent être responsables de décharges électriques.
- L'utilisation d'une rallonge n'est pas recommandée. Si vous devez néanmoins en utiliser une, faites en sorte qu'elle soit le court possible. Ne branchez pas 2 rallonges ou plus. Veillez à ce que les branchements soient secs et au-dessus du sol. Veillez également à ce que le cordon ne pende pas du rebord de la table afin d'éviter que les enfants ne tirent dessus ou ne trébuchent. N'utilisez que des rallonges conçues pour être utilisées en extérieur.
- Bâchez le grill ou rangez-le dans un endroit à l'abri des intempéries lorsque vous ne l'utilisez pas.
- Nettoyez la grille et la chambre de cuisson entre chaque utilisation.

RANGEMENT ET/OU NON UTILISATION

- Pendant les périodes de non utilisation, le contrôleur de température avec le cordon d'alimentation doit être en position "OFF". Rangez votre grill à l'intérieur.

MISE EN MARCHÉ

- ⚠ **AVERTISSEMENT: votre barbecue électrique Weber® ne doit pas être utilisée sur une surface inflammable telle que du gazon sec, des arbustes, etc.**

⚠ **AVERTISSEMENT: votre barbecue électrique Weber® electric n'est pas conçu pour être installé dans des véhicules de plaisance, les tout-terrains et/ou les bateaux.**

⚠ **AVERTISSEMENT: n'utilisez pas le barbecue à moins de 60 cm (24 pouces) de matériaux inflammables. N'utilisez aucune construction inflammable.**

⚠ **AVERTISSEMENT: la chambre de cuisson chauffe pendant l'utilisation du grill. Gardez toujours un œil dessus.**

⚠ **AVERTISSEMENT: maintenez le cordon d'alimentation à l'écart de toute surface chauffée.**

⚠ **AVERTISSEMENT: veillez à ce que la zone de cuisson ne comporte pas de vapeurs ou de liquides inflammables tels que le carburant, le kérosène, l'alcool, etc., et d'autres matériaux inflammables.**

⚠ **AVERTISSEMENT: lors de la cuisson, l'appareil doit être placé sur une surface stable et nivelée dépourvue de matériaux inflammables.**

⚠ **AVERTISSEMENT: veillez à ce que le cordon ne se trouve pas dans la chambre de cuisson.**

INSTRUCTIONS GENERALES

NETTOYAGE

⚠ **AVERTISSEMENT: éteignez votre barbecue électrique Weber® et laissez-le refroidir avant de procéder au nettoyage.**

Pour en savoir sur la disponibilité des grilles de cuisson, contactez l'agent du service client de votre région, à partir des coordonnées de contact que vous trouverez sur notre site Web. Allez sur www.weber.com.

Contrôleur de température avec cordon

d'alimentation - Utilisez une solution à base d'eau chaude et de savon et un chiffon humide. Essuyez et séchez entièrement avant d'utiliser.

⚠ **AVERTISSEMENT: afin d'éviter les décharges électriques, ne plongez aucune partie de l'appareil dans l'eau ou dans tout autre liquide.**

Surfaces externes - Utilisez une solution à base d'eau chaude et de savon pour nettoyer, puis rincez à l'eau.

⚠ **ATTENTION: n'utilisez pas de nettoyant pour four, de produits abrasifs (produits de cuisine), des nettoyeurs à base de citron, ou des chiffons abrasifs sur le barbecue.**

⚠ **ATTENTION: ne nettoyez pas le grill avec des brosses métalliques. Les poils métalliques de la brosse peuvent se casser et endommager les parties électriques.**

Grille de cuisson - Nettoyez à l'aide d'une brosse en laiton. Retirez-la si nécessaire du grill et lavez-la à l'eau chaude savonneuse, puis rincez à l'eau.

Bac à graisse - Des feuilles jetables sont disponibles, ou vous pouvez poser une feuille en aluminium dans le bac. Pour le nettoyer, faites-le à l'eau chaude savonneuse, puis rincez à l'eau.

⚠ **Nettoyez le bac à graisse régulièrement.**

Intérieur de la chambre de cuisson - voir MAINTENANCE.

Intérieur du couvercle - Si le couvercle est chaud, essuyez l'intérieur à l'aide de serviettes de papier afin d'éviter l'accumulation de graisse. L'accumulation de graisse ressemble à des écailles de peinture.

Doublure de bol amovible - Retirez la graisse accumulée, lavez à l'eau chaude savonneuse, puis rincez à l'eau.

N'utilisez pas de produits de nettoyage contenant de l'acide, de l'essence minérale ou du xylène. Rincez soigneusement après le nettoyage.

⚠ **Nettoyez la doublure de bol amovible régulièrement.**

CUISSON

Pour mettre en route le grill: reportez-vous aux instructions figurant dans ce manuel utilisateur.

Pour préchauffer le grill: allumez le barbecue électrique Weber® conformément aux instructions de cuisson figurant dans ce manuel. Fermez le couvercle et tournez le bouton de température sur High (élevé). Préchauffez le grill pendant 15 minutes (un temps de préchauffage plus long dépendra des conditions météorologiques telles que la température de l'air et le vent).

Remarque : il se peut que vous ayez à régler le bouton de Température en raison du vent et de l'air pour obtenir la bonne température de cuisson.

Jus et graisse: Le jus et la graisse tomberont dans le bac d'égouttage (situé sous le grill). Des lèchefrites jetables Weber® adaptées au bac sont disponibles.

⚠ **AVERTISSEMENT: vérifiez la présence de dépôts de graisse dans le bac d'égouttage et la doublure de**

bol avant chaque utilisation. Retirez le trop-plein de graisse afin d'éviter qu'un feu ne s'allume dans la partie inférieure du grill.

⚠ **AVERTISSEMENT: ne bougez pas le grill électrique Weber® lorsqu'il fonctionne ou lorsque le grill est chaud.**

Vous devez préchauffer le grill avant de l'utiliser. Suivez la procédure indiquée dans les instructions de cuisson en page 8 et vous êtes prêt à cuisiner au grill.

Une fine couche d'huile permettra de brunir vos aliments de façon uniforme et les empêchera de se coller à la grille de cuisson. Étalez toujours ou pulvérisez de l'huile sur vos aliments et non pas à même la grille de cuisson.

Nous vous conseillons de cuire avec le couvercle. Pourquoi ? Cela permet de réduire les étincelles, et de cuire vos aliments plus rapidement et de façon plus uniforme.

Si vous utilisez une marinade, une sauce ou un vernis à haute teneur en sucre ou d'autres ingrédients qui brûlent facilement, étalez-les sur les aliments dans les 10 à 15 dernières minutes de cuisson au grill.

N'oubliez pas de brosser régulièrement votre grille de cuisson et de nettoyer le bac d'égouttage sous le grill.

Les morceaux, épaisseurs, poids et les temps de cuisson pour les aliments ne sont fournis qu'à titre informatif. Les temps de cuisson dépendent de facteurs tels que le vent, la température extérieure et du degré de cuisson souhaité. Mettez les aliments sur le grill pendant la durée indiquée sur le tableau ou selon le degré de cuisson souhaité, turning once halfway through the grilling time. Les temps de cuisson pour le bœuf et l'agneau sont des durées moyennes, sauf indication contraire. Laissez les morceaux épais et les steaks pendant 5 à 10 minutes avant de les découper. La température interne de la viande augmentera de 5 à 10 degrés pendant ce délai.

Ne dépassez les 60 minutes de cuisson.

Pour plus de conseils sur la cuisson au grill et des recettes, allez sur www.weber.com.

	Morceau	Épaisseur et/ou poids	Temps de cuisson approximatif
Bœuf	Steak, filet, surlonge ou entrecôte	3/4 po d'épaisseur (19,1 mm) 1 po d'épaisseur (25 mm) 1 à 1-1/2 po d'épaisseur (25 mm à 37 mm)	14 à 16 minutes, High (élevé) 16 à 18 minutes, High (élevé) 20 à 22 minutes; High (élevé)
	Kebab	1 à 1-1/2 en cubes (25 à 37 mm)	12 à 14 minutes, High (élevé)
	Hamburger ou rissole	3/4 po d'épaisseur (19,1 mm)	8 à 10 minutes, High (élevé)
Agneau	Côtelettes d'agneau	1-1/2 po d'épaisseur (37 mm)	20 à 30 minutes, Medium-High (moyen-élevé)
	Carré d'agneau		35 à 40 minutes, Medium (moyen)
Porc	Côtelette: côte, longe ou épaule	3/4 à 1 po d'épaisseur (19,1 mm à 25 mm)	20 minutes, High (élevé)
	Longe, sans os	3/4 à 1 po d'épaisseur (19,1 mm à 25 mm)	16 à 18 minutes, Medium (moyen)
	Saucisse		25 à 30 minutes, Medium (moyen)
Volaille	Poitrine de poulet, sans os et sans peau	6 onces (170 g)	12 à 14 minutes, Medium (moyen)
	Kebab	cubes de 1 à 1-1/2 po (25 à 37 mm)	12 à 14 minutes, High (élevé)
	Morceaux de poulet, cuisse non désossée, aile/poitrine non désossée		40 minutes, Medium (moyen)
	Morceaux de poulet, cuisse non désossée		40 minutes, Medium (moyen)
Poissons/fruits de mer	Poisson, filet ou tranche	1/2 à 1 po d'épaisseur (12 mm à 25 mm) 1 à 1-1/4 po d'épaisseur (25 à 31 mm)	10 à 12 minutes, High (élevé) 12 à 14 minutes, High (élevé)
	Crevettes roses		2 à 5 minutes, High (élevé)
	Poisson entier	1 lb (450 g) 2 à 2 1/2 lb (900 g à 1,1 kg)	15 à 20 minutes, Medium (moyen) 20 à 30 minutes, Medium (moyen)
Légumes	Asperge		8 à 10 minutes, High (élevé)
	Maïs en épis, décortiqué		12 à 14 minutes, High (élevé)
	Maïs en épis, décortiqué		25 à 30 minutes, High (élevé)
	Champignon: Portabello		12 à 15 minutes, High (élevé)
	Champignon: Bouton		10 à 12 minutes, High (élevé)
	Oignon, 1/4 émincé		10 à 12 minutes, High (élevé)
	Pomme de terre, coupes de 1/4 po (6,4 mm)		10 à 12 minutes, High (élevé)
	Aubergine, tranches de 1/2 po (12 mm)		10 à 12 minutes, High (élevé)
	Poivrons (entiers)		12 à 15 minutes, High (élevé)
	Poivrons (écartelés)		8 à 10 minutes, High (élevé)
	Courgette 1/2 po (12 mm)		8 à 10 minutes, High (élevé)
Courgette (coupé en deux)		12 à 14 minutes, High (élevé)	

**Cet appareil a été conçu pour fonctionner sur un courant de 120 volts - 50/60Hz, 13 A
Puissance: 1560 W**

CUISSON

⚠ AVERTISSEMENT: déroulez complètement le cordon d'alimentation. Veillez à maintenir le cordon à l'écart de la chambre de cuisson.

1) Branchez le contrôleur de température au grill.

⚠ Branchez toujours entièrement le contrôleur de température au grill avant de brancher le cordon d'alimentation à la prise secteur. (voir page 7, étape C)

2) Ouvrez le couvercle.
3) Assurez-vous que le contrôleur de température soit en position OFF. (Tournez le bouton de commande dans le sens inverse des aiguilles d'une montre afin de vous assurer qu'il se trouve sur la position OFF.)

4) Branchez le cordon d'alimentation dans une prise protégée.

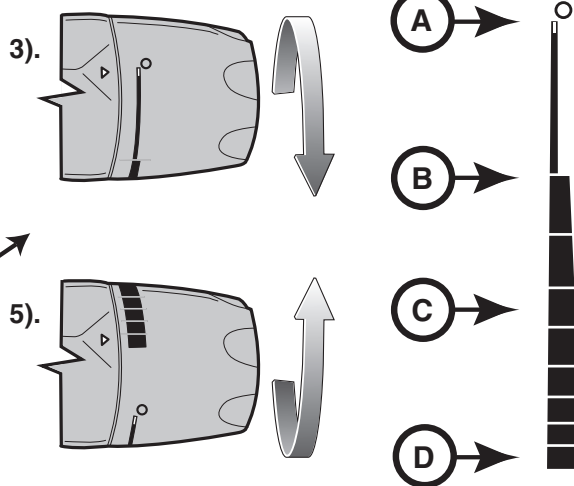
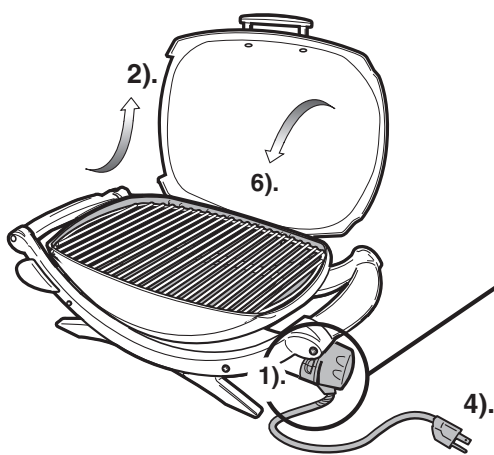
⚠ L'appareil doit être alimenté via une prise de disjoncteur de fuite à la terre, 15 amp au minimum.

5) Préchauffez le grill. Tournez le bouton sur HIGH (dans le sens des aiguilles). La diode rouge indique que l'appareil est sous tension et que l'élément chauffant est en marche.

6) Fermez le couvercle. Le temps de préchauffage sera d'environ 15 minutes (lorsque vous cuisez à une température extérieure de 72°F). Le froid et/ou le vent peut prolonger le préchauffage.

Pour cuire à une température de grill inférieure: Préchauffez comme indiqué précédemment. Tournez le bouton dans le sens inverse des aiguilles d'une montre sur le niveau souhaité. Démarrez la cuisson. Consultez les tableaux figurant à la fin du manuel utilisateur pour connaître les temps de cuisson au grill approximatifs et les réglages pour les morceaux de viande répertoriés. (ajustez selon les conditions météo).

⚠ AVERTISSEMENT: lorsque le voyant rouge est éteint, il se peut que l'élément chauffant soit encore chaud.



A. - OFF

B. - LOW

C. - MED.

D. - HIGH

DEPANNAGE

Problème	Inspection	Solution
Le grill électrique ne s'allume pas.	Le contrôleur de température est-il correctement inséré dans l'armoire ?	Démontez et réinstallez le contrôleur de température. ⚠ Branchez toujours le contrôleur de température dans le grill avant de brancher le cordon d'alimentation dans la prise secteur. (voir page 7, Etape C)
	Le voyant rouge est-il allumé et le bouton de commande de température est-il tourné dans le sens inverse des aiguilles sur HIGH ?	Démontez et réinstallez le contrôleur de température. ⚠ Branchez toujours le contrôleur de température dans le grill avant de brancher le cordon d'alimentation dans la prise secteur. (voir page 7, Etape C)
	Y a-t-il du courant dans la prise ?	Vérifiez le réseau électrique. Vérifiez si le disjoncteur est enclenché.

Si les problèmes persistent, veuillez contacter l'agent du service client de votre région à partir des coordonnées de contact que vous trouverez sur notre site Web. Allez sur www.weber.com®.

NETTOYAGE DE LA DOUBLURE DE BOL DEMONTABLE

- ⚠ **AVERTISSEMENT:** éteignez votre barbecue électrique Weber® et laissez-le refroidir avant de procéder au nettoyage.
- ⚠ **AVERTISSEMENT:** évitez l'accumulation de graisse sur la grille et dans la chambre de cuisson. Le nettoyage régulier de la grille et de la doublure démontable entre chaque utilisation a pour but d'éviter une accumulation de graisse. Une maintenance inadéquate peut amener la graisse à prendre feu au risque de provoquer des blessures corporelles ou la mort ainsi que des dommages matériels.

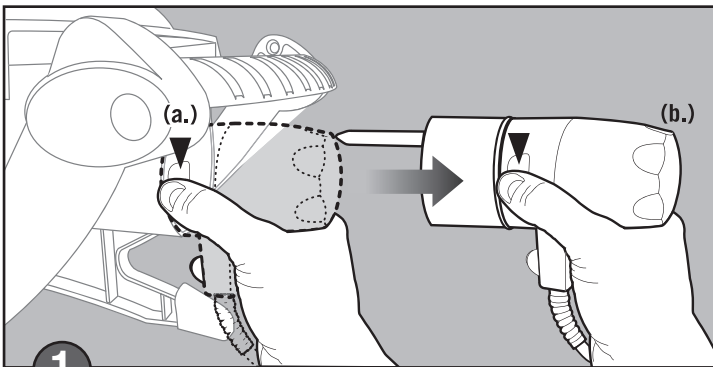
- 1) Débranchez le cordon d'alimentation du contrôleur de température. Saisissez le contrôleur par le socle derrière le bouton de commande (a.) et tirez pour le démonter (b.).
- ⚠ **ATTENTION:** évitez de tirer le bouton pour démonter le contrôleur .
- 2) Inclinez avec précaution l'élément chauffant légèrement à la verticale et faites coulisser la doublure démontable vers l'extérieur du grill. Récurez l'intérieur à l'aide d'une raclette en plastique pour retirer la graisse accumulée.
- ⚠ **ATTENTION:** n'utilisez pas de produit nettoyant pour four, de nettoyants abrasifs (pour cuisine), des produits à base de citriques, ou de grattoirs sur l'élément chauffant. Evitez les produits à base d'acide, d'essence minérale ou de xylène.

- 3) Remplacez la doublure démontable et le contrôleur de température avant utilisation.

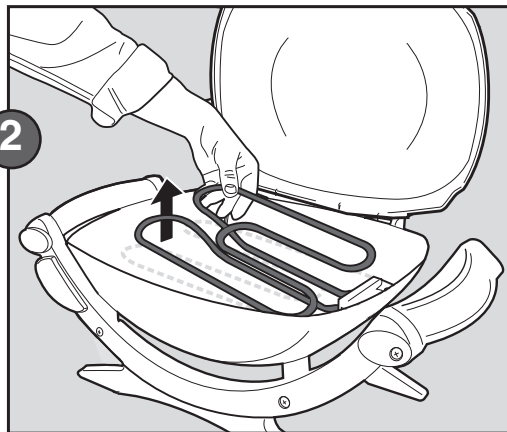
- ⚠ **Brancher toujours le contrôleur de température entièrement dans le grill avant de brancher le cordon d'alimentation dans la prise. (voir page 7, étape C).**

Le trop-plein de jus et la graisse se sont accumulés dans le bac. (des lèches-frites jetables adaptées au bac sont disponibles).

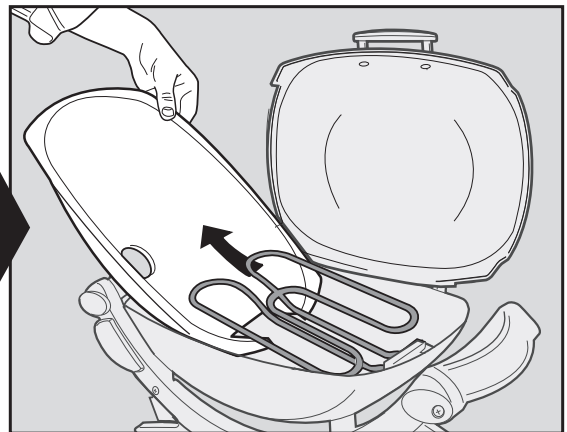
- ⚠ **AVERTISSEMENT:** retirez la graisse accumulée dans le bac prévu à cet effet avant chaque utilisation afin d'éviter que la graisse ne prenne feu.
- ⚠ **Si la graisse prend feu, éteignez le contrôleur de température et laissez le couvercle jusqu'à extinction du feu.**



1



2



⚠ ATTENTION: This product has been safety tested and is only certified for use in a specific country. Refer to country designation located on outer carton.

These parts may be gas carrying or gas burning components. Please contact Weber-Stephen Products Co., Customer Service Department for genuine Weber-Stephen Products Co. replacement part(s) information.

⚠ WARNING: Do not attempt to make any repair to gas carrying or gas burning components without contacting Weber-Stephen Products Co., Customer Service Department. Your actions, if you fail to follow this product Warning, may cause a fire or an explosion resulting in serious personal injury or death and damage to property.

⚠ ATENCIÓN: A este producto se le han realizado pruebas de seguridad y ha sido certificado para usarse en un país específico. Refiérase al país indicado en la parte externa del cartón de empaque.

Estas partes pueden ser componentes que transporten gas o lo quemén. Por favor póngase en contacto con el Departamento de Atención al Cliente de Weber-Stephen Products Co. para obtener información sobre las partes de repuesto Weber-Stephen Products Co. genuinas.

⚠ ADVERTENCIA: No trate de realizar reparación alguna a los componentes que transporten o quemén gas sin antes ponerse en contacto con el Departamento de Atención al Cliente de Weber-Stephen Products Co. Si no llegase a acatar esta advertencia, sus acciones podrían causar un fuego o una explosión que resulte en lesiones personales serias o la muerte o daños a la propiedad.

⚠ ATTENTION : Ce produit a fait l'objet de tests de sécurité et est certifié pour une utilisation dans un pays particulier uniquement. Vérifiez la désignation de pays située sur le carton d'emballage.

Ces pièces peuvent contenir du gaz ou être des éléments dont la combustion produit du gaz. Veuillez consulter le Service clientèle de Weber-Stephen Products Co. pour des renseignements sur les pièces de rechange originales de Weber-Stephen Products Co..

⚠ MISE EN GARDE : Ne tentez pas d'effectuer des réparations sur des éléments contenant du gaz ou sur des éléments dont la combustion produit du gaz sans contacter le service clientèle de Weber-Stephen Products Co.. Si vous ne suivez pas la présente Mise en garde relative au produit, vos actions risquent de provoquer un incendie ou une explosion entraînant des blessures physiques graves voire un décès ainsi que des dégâts matériels.



WEBER-STEPHEN PRODUCTS CO.
www.weber.com®

©2009 The following trademarks are registered in the name of Weber-Stephen Products Co., an Illinois corporation, located at 200 East Daniels Road, Palatine, Illinois 60067 U.S.A. Australia; Smokey Joe, Weber, Kettle Silhouette®, Genesis, Austria; Kettle Silhouette®, Smokey Joe, Weber, Benelux; Kettle Silhouette®, Smokey Joe, Weber, Compact Grill Configuration, Botswana; Weber, Canada; Smokey Joe, Genesis, China; Kettle Silhouette®, Denmark; Kettle Silhouette®, Smokey Joe, Weber, Finland; Smokey Joe, France; Kettle Silhouette®, Smokey Joe, Weber, One-Touch, Germany; Smokey Joe, Weber, One-Touch, Greece; Smokey Joe, Ireland; Kettle Silhouette®, Smokey Joe, Italy; Smokey Joe, Weber, Japan; Smokey Joe, Weber, Korea; Smokey Joe, Weber, New Zealand; Weber, Smokey Joe, Nigeria; Weber, Norway; Smokey Joe, Weber, Portugal; Weber, South Africa; Smokey Joe, Weber, Kettle Configuration, Spain; Smokey Joe, Weber, Sweden; Kettle Silhouette®, Smokey Joe, Switzerland; Kettle Silhouette®, Smokey Joe, Weber, United Kingdom; Smokey Joe, Weber, Weber One-Touch, U.S.A.; Kettle Configuration, Kettle Silhouette®, Smokey Joe, Weber, One-Touch, Firespice, Go-Anywhere, U.S.A.; Kettle Configuration, Kettle Silhouette, Genesis, Flavorizer, Crossover, Flango, Performer, Rapidfire, Tuck 'N Carry, Jumbo Joe, Bar-B-Kettle, Master-Touch, Spirit, Grill Out, Summit, Platinum, 1-800-Grill-Out, Ranch, Matchless Flame, Zimbabwe; Weber, Kettle Configuration, Kettle Silhouette®.



THANK YOU FOR PURCHASING A WEBER® GRILL. YOU'VE MADE A WISE INVESTMENT, NOW TAKE A FEW MINUTES AND PROTECT IT BY REGISTERING YOUR PRODUCT.

GRACIAS POR COMPRAR UNA BARBACOA WEBER®. USTED HA HECHO UNA ACERTADA INVERSIÓN; AHORA TÓMESE UNOS CUANTOS MINUTOS PARA PROTEGERLA REGISTRANDO EL PRODUCTO.

NOUS VOUS REMERCIONS D'AVOIR FAIT L'ACQUISITION D'UN GRILL WEBER®. VOUS AVEZ FAIT UN SAGE INVESTISSEMENT, VEUILLEZ MAINTENANT PRENDRE QUELQUES MINUTES POUR LE PROTÉGER EN ENREGISTRANT VOTRE PRODUIT.

To register your product, fill out and mail this form or REGISTER ONLINE at www.weber.com®
(If you register online, you do not need to send in this registration card.)

Para registrar el producto, llene y envíe por correo este formulario o REGÍSTRESE EN LÍNEA en www.weber.com®
(Si se registra en línea, no necesita enviar esta tarjeta de registro).

Pour enregistrer votre produit, remplissez puis retournez-nous ce formulaire par courrier ou ENREGISTREZ-VOUS EN LIGNE sur www.weber.com® (Si vous vous enregistrez en ligne, vous n'avez pas besoin de renvoyer ce carton d'enregistrement.)

1. How Can We Reach You? / ¿Cómo Podemos Ponernos En Contacto Con Usted? / Comment Pouvons-nous Vous Joindre?

First Name / Nombre / Prénom

M.I. / Inicial / Seconde Initiale

Last Name / Apellido / Nom

Address / Dirección / Adresse

Apt. # / Apt. # / Appt. #

City / Ciudad / Ville

State / Estado / État

Zip Code / Código Postal / Code Postal

Telephone / Teléfono / Téléphone

E-mail Address / Dirección De Correo Electrónico / Adresse E-mail

2. How would you prefer for us to contact you? / ¿Cómo preferiría que nos pongamos en contacto con usted? / Comment préféreriez-vous que nous vous contactions?

1. By US mail / Por correo / Par courrier postal américain
2. By e-mail / Por correo electrónico / Par e-mail
3. By phone / Por teléfono / Par téléphone
4. No preference / Ninguna preferencia / Aucune préférence
5. Please don't contact me unless it is in regards to a technical matter related to my grill / Por favor no se pongan en contacto conmigo a menos que sea sobre un tema técnico relacionado con el asador / Merci de ne me contacter que si votre appel concerne un problème technique concernant mon grill
6. I prefer to receive information in Spanish / Prefiero recibir información en español / Je préfère recevoir des informations en espagnol

3. When did you buy your grill? / ¿Cuándo compró usted el asador? / Quand avez-vous acheté votre grill?

Month / Mes / Mois

Day / Día / Jour

Year / Año / Année

4. Without tax, how much did you pay for your grill? / ¿Sin impuesto, cuánto pagó por el asador? / Hors taxes, combien avez-vous payé votre grill?

\$.00

5. Where did you buy your grill? / ¿Dónde compró el asador? / Où avez-vous acheté votre grill?

6. Which model did you purchase? / ¿Qué modelo compró? / Quel modèle avez-vous acheté?

- | | |
|---|--|
| 1. <input type="checkbox"/> Weber® Q™ 100 | 5. <input type="checkbox"/> Weber® Q™ 220 |
| 2. <input type="checkbox"/> Weber® Q™ 120 | 6. <input type="checkbox"/> Weber® Q™ 300 |
| 3. <input type="checkbox"/> Weber® Q™ 140 | 7. <input type="checkbox"/> Weber® Q™ 320 |
| 4. <input type="checkbox"/> Weber® Q™ 200 | 8. <input type="checkbox"/> Weber® Char Q™ |

7. Have you ever owned a Weber® grill before? / ¿Ha tenido alguna vez antes un asador Weber®? / Avez-vous déjà possédé un grill Weber® auparavant ?

1. Yes / Sí / Oui

Number of Weber® gas grills owned:

Número de asadores de gas Weber® que ha tenido:

Nombre de grills à gaz Weber® possédés :

Number of Weber® charcoal grills owned:

Número de asadores de carbón Weber® que ha tenido:

Nombre de grills à charbon Weber® possédés :

2. No, this is my first Weber® grill / No, éste es mi primer asador Weber® / Non, il s'agit de mon premier grill Weber®

8. How do you primarily plan to use your Weber® Q™ grill? / ¿Cuál es el principal uso que le piensa dar a su asador Weber® Q™? / Comment prévoyez-vous principalement d'utiliser votre grill Weber® Q™ ?

1. At home as my main grill / En casa como mi asador principal / A la maison, comme grill principal
2. As a portable to take tailgating, on picnics, etc. / Como un asador portátil para usarlo en parrilladas improvisadas detrás de la camioneta, en picnics, etc. / En tant que grill portatif, à emmener à des fêtes d'avant-match, à des pique-niques, etc.

Thanks for sharing your contact information with us. Again, it all stays strictly between us — Weber does not share customers' names with anyone else. If you need replacement parts or have questions about the assembly, use or maintenance of your grill, please call Weber Customer Service.

Gracias por compartir su información de contacto con nosotros. De nuevo, todo quedará estrictamente entre nosotros — Weber no comparte los nombres de sus clientes con nadie. Si necesita partes de repuesto o tiene preguntas acerca del ensamblaje, uso o mantenimiento del su asador, por favor llame al Departamento de Soporte y Servicio al Cliente de Weber.

Merci de nous avoir communiqué vos coordonnées. Nous vous rappelons que ces informations resteront strictement entre nous : Weber ne communique les noms de ses clients à personne. Si vous avez besoin de pièces de rechange ou si vous avez des questions sur le montage, l'utilisation ou l'entretien de votre grill, veuillez consulter le Service Client de Weber.

For purchases made in the U.S.:
Para compras hechas en los Estados Unidos:
Pour les achats effectués aux États-Unis:

Product Registration
P.O. Box 1999
Palatine, IL 60078-1999
1-800-446-1071

For purchases made in Mexico:
Para compras hechas en México:
Pour les achats effectués au Mexique:

Weber-Stephen Products S.A. de C.V.
Marcella No. 338
Col. Americana • Guadalajara, Jalisco
44160 Mexico, C. P. • Mexico
Teléfono – (52) (33)3615-0736 x113
R.F.C. WPR 030919 ND4

For purchases made in Canada:
Para compras hechas en Canadá:
Pour les achats effectués au Canada:

Product Registration
P.O. Box 40530
Burlington, ON L7P 4W1
1-800-265-2150

Knowing more about who buys our grills helps the crew back in R&D come up with new cutting edge Weber products. Please fill in the answers you feel comfortable sharing with us, and pass by any question you prefer to leave blank. Thank you for being so generous.

Saber más sobre quién compra nuestros asadores ayuda al equipo de Investigación y Desarrollo a concebir nuevos productos Weber de avanzada. Por favor rellene las respuestas con las que se sienta más cómodo en compartir con nosotros, y pase por alto cualquier pregunta que prefiera dejar en blanco. Gracias por su generosidad.

Le fait de mieux connaître les personnes qui achètent nos grills aide le personnel du service R&D à développer de nouveaux produits Weber innovants. Veuillez répondre aux questions en fournissant les réponses pour lesquelles vous vous sentez à l'aise, et passez toute question que vous préférez laisser sans réponse. Nous vous remercions pour votre générosité.

9. Are you: / Es usted: / Vous êtes:

1. Male / Hombre / Un homme 2. Female / Mujer / Une femme

10. Are you married? / ¿Está casado? / Êtes-vous marié?

1. Yes / Sí / Oui 2. No / No / Non

11. What's your date of birth? / ¿Cuál es su fecha de nacimiento? / Quelle est votre date de naissance ?

Month / Mes / Mois

Day / Día / Jour

Year / Año / Année

12. Including yourself, how many people live in your household? (example 01, 02, etc.) / Incluyéndolo a usted, ¿cuántos viven en su casa? (ejemplo 01, 02, etc.) / Vous compris, combien de personnes composent votre foyer ? (par exemple, 1 an, 2 ans, etc.)

Children under 18
Niños menores de 18
Enfants de moins de 18 ans

Adults
Adultos
Adultes

13. Do you own or rent the place you call home? / ¿Posee o alquila el lugar que usted llama casa? / Possédez-vous ou louez-vous le lieu que vous appelez votre domicile ?

1. Own / Propio / Propriétaire 2. Rent / Alquiler / Locataire

14. What's your annual household income? / ¿Cuánto es su ingreso familiar anual? / Quel est le revenu annuel de votre foyer ?

1. <\$15,000 9. \$60,000-\$74,999
2. \$15,000-\$24,999 10. \$75,000-\$99,999
3. \$25,000-\$29,999 11. \$100,000-\$149,999
4. \$30,000-\$34,999 12. \$150,000-\$174,999
5. \$35,000-\$39,999 13. \$175,000-\$199,999
6. \$40,000-\$44,999 14. \$200,000-\$249,999
7. \$45,000-\$49,999 15. \$250,000-\$299,999
8. \$50,000-\$59,999 16. >\$300,000

15. Which activities or interests do you have that keep you (or your partner) busy? / ¿Qué actividades o intereses tiene que lo mantienen a usted (o a su compañero/a) ocupado? / Quelles sont les activités ou centres d'intérêt (pour vous ou votre conjoint) qui vous occupent ?

1. Arts or antiques / Artes o antigüedades / Arts ou antiquités
2. Bicycling / Ciclismo / Bicyclette
3. Boating or sailing / Náutica o velerismo / Bateau ou navigation
4. Buying videos / Comprar videos / Achat de vidéos
5. Subscribing to cable TV / Suscripción a televisión por cable / Inscriptions à la TV câblée
6. Camping or hiking / Acampar o excursionismo a pie / Camping ou marche
7. Attending cultural arts or events / Asistir a artes culturales o eventos / Assister à des représentations artistiques ou à des événements culturels
8. Dieting / Hacer dieta / Régime alimentaire
9. Donating to charity / Donar a obras caritativas / Dons à des organismes caritatifs
10. Fishing / Pesca / Pêche
11. Foreign travel / Viajes al extranjero / Voyages à l'étranger
12. Gardening or plants / Jardinería o plantas / Jardinage ou plantes
13. Golf / Golf / Golf
14. Grandchildren / Nietos / Petits-enfants
15. Houseplants / Plantas de interior / Plantes d'intérieur
16. Hunting / Caza / Chasse
17. Motorcycles / Motocicletas / Motocyclettes
18. Needlework / Costura / Couture
19. My cat / Mi gato / Mon chat
20. My dog / Mi perro / Mon chien
21. Listening to music on my CD player / Escuchar música en mi tocadiscos CD / Écouter de la musique sur mon lecteur CD
22. Listening to music on any device / Escuchar música en algún dispositivo / Écouter de la musique quel que soit l'appareil utilisé
23. Personal computers / Computadores personales / Ordinateurs personnels
24. Photography / Fotografía / Photographie
25. Physical fitness or exercise / Mantenerme en buena forma física o ejercicio / Fitness ou exercices physiques
26. Politics / Política / Politique
27. Running / Correr / Course
28. Shopping by mail order or catalog / Comprar por ventas por correo o catálogos / Achats par correspondance ou sur catalogue
29. Snow skiing / Esquiar sobre nieve / Ski
30. Stocks & bonds / Acciones y bonos / Actions & obligations
31. Tennis / Tenis / Tennis
32. Veterans' affairs / Asuntos de los veteranos de guerra / Affaires liées aux anciens combattants
33. Walking / Caminar / Marche
34. Watching sports on TV / Ver deportes por TV / Regarder le sport à la TV
35. Other / Otros / Autre (_____)

PLACE STICKER HERE / COLOQUE LA ETIQUETA
ADHESIVA AQUÍ / PLACEZ L'AUTOCOLLANT ICI

16. Serial number / número de serie / numéro de série

PLACE STICKER HERE / COLOQUE LA ETIQUETA
ADHESIVA AQUÍ / PLACEZ L'AUTOCOLLANT ICI

16. Serial number / número de serie / numéro de série