

This Owner's Manual is provided and hosted by [Appliance Factory Parts](#).



Grand Hall FREEDOM 445 Owner's Manual

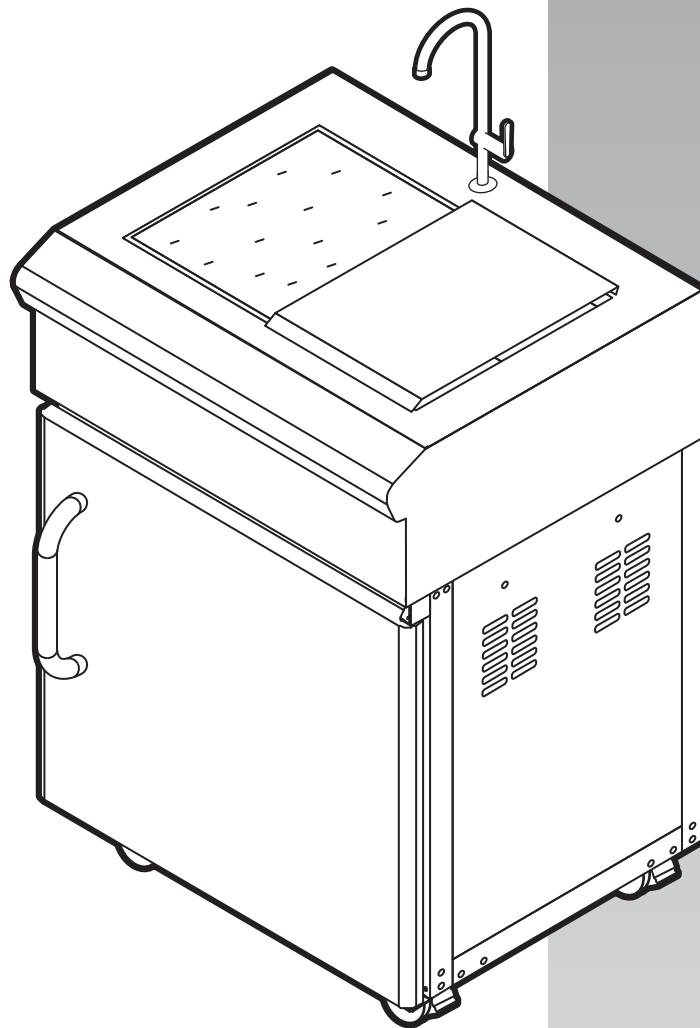
[Shop genuine replacement parts for Grand Hall
FREEDOM 445](#)



[Find Your Grand Hall Grill Parts - Select From 203 Models](#)

----- Manual continues below -----

Operating and assembly instructions



- *Drain hose included*
- *Tap connection and hose not included*

Tap inlet suitable for $\frac{3}{4}$ " BSP snap-on hose adaptor

These instructions are a guide to assembling and using the Freedom 440 Sink / Workstation.

Please read carefully, and retain for future reference.

Illustration may vary from unit contained in carton.

TABLE OF CONTENTS

General Information _____	2
Pre-Assembly _____	2
Assembly _____	3-6
Assembly – <i>General</i> _____	7-8
Maintenance _____	9
Parts Diagram / List _____	10-11

FOR CUSTOMER REFERENCE*(Record and file in a safe place)*

Purchased from _____

Date purchased _____

Serial No. _____

NOTE: Sales docket must be kept as proof of purchase date.

P R E - A S S E M B L Y

GENERAL

While it is possible for one person to assemble the Sink/ Workstation, we recommend asking for the assistance of another person when manoeuvring some of the larger and heavier pieces.

ASSEMBLY TIPS

1. Flatten cardboard packaging and use this as a protective work surface to assemble upon.
2. Some protective coating may need to be removed from components prior to assembly.
3. Unless specified otherwise, do not tighten screws and nuts until trolley is fully assembled.
4. Pre-screwing of connection points for securing the side shelves will assist in securing shelves smoothly.

CHECK FOR ANY DAMAGE

Before attempting to assemble this appliance, check that all the necessary parts have been included using the parts list opposite. Inspect parts as you proceed.

Contact your place of purchase for assistance regarding replacement of any damaged or missing parts. Supplier contact details are on the back cover of the instruction manual.

Do not assemble or operate an appliance that appears damaged.

TOOLS YOU WILL NEED

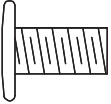
Standard Phillips-head screwdriver.
Adjustable spanner (*open end shifter*).

CARTON CONTENTS

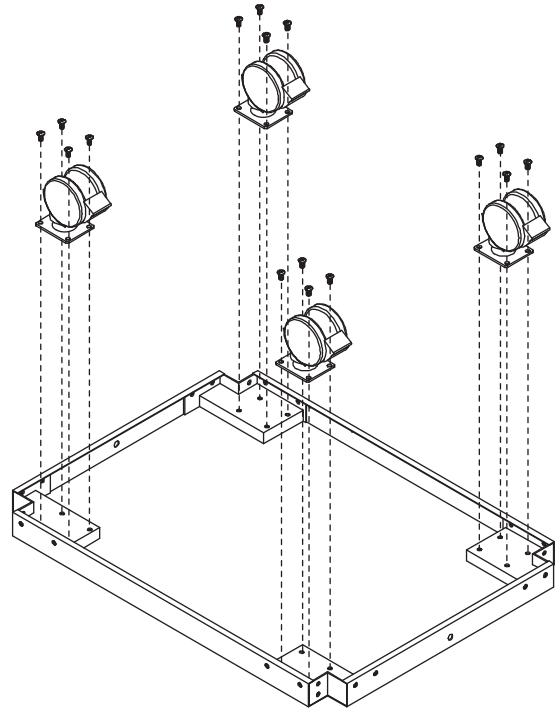
Description	Qty
Trolley side panel – <i>right</i>	1
Trolley side panel – <i>left</i>	1
Trolley rear panel	1
Castors	4
Bottom shelf	1
Trolley bracket – <i>front</i>	1
Doors	1
Sink/Workstation body assembly	1
Cutting board	1
Tap – <i>with hose adaptor</i>	1
Drain assembly – <i>factory fitted to sink</i>	1
Drain hose	1
Lid – sink	2
Hardware pack	1

INSTALL CASTORS

- Place the trolley bottom shelf on the cardboard work surface with the bottom side of shelf facing up. Install the four (4) castors onto the castor seats as shown.

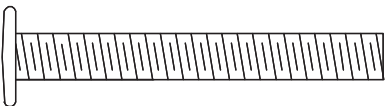


Phillips flat-head screw $\frac{1}{4}$ " x $\frac{1}{2}$ "
Qty: 16

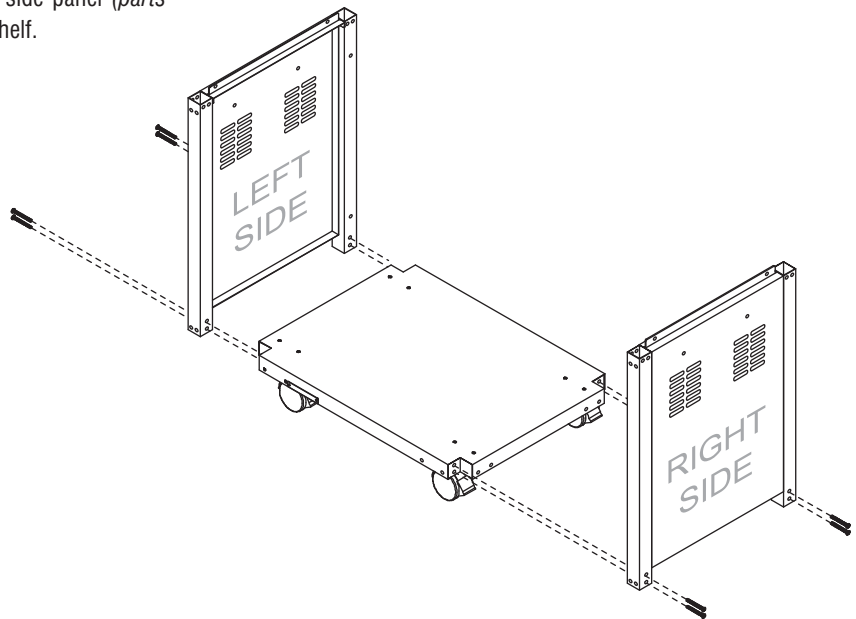


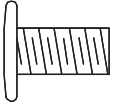
INSTALL TROLLEY LEGS WITH SIDE PANELS

- Install the left and right trolley legs with side panel (*parts are labelled 'L' or 'R'*) to trolley bottom shelf.

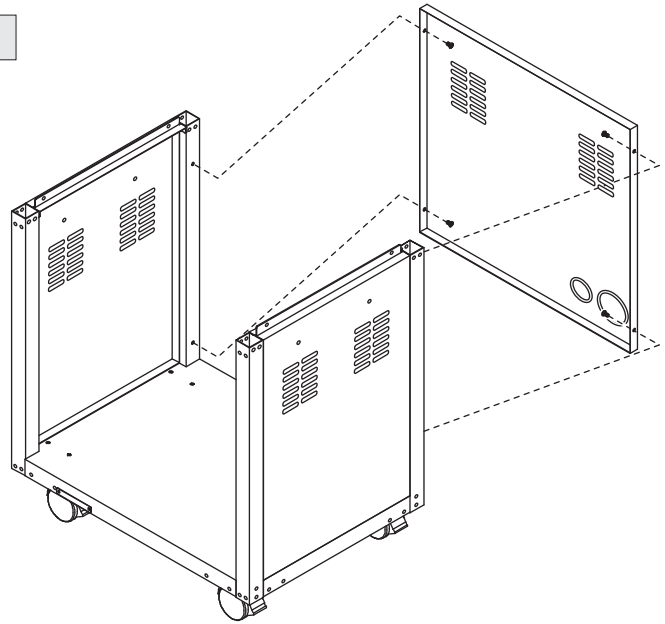


Phillips flat-head screw $\frac{1}{4}$ " x 2"
Qty: 8

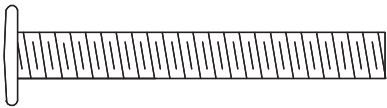


INSTALL TROLLEY REAR PANEL

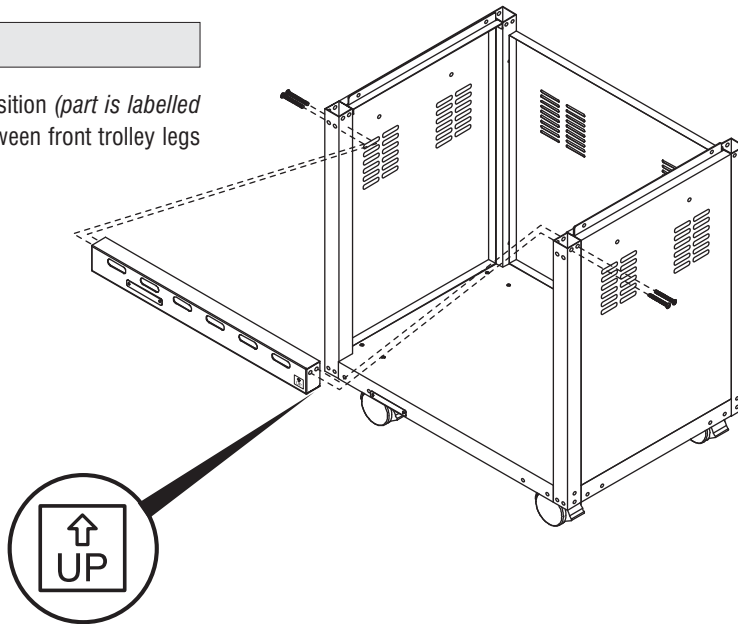
Phillips flat-head screw 1/4" x 1/2"
Qty: 4

**INSTALL TROLLEY BRACKET**

- Install the trolley bracket in the up position (*part is labelled 'UP' to ensure proper assembly*) between front trolley legs as shown.

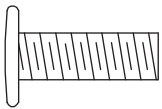


Phillips flat-head screw 1/4" x 2"
Qty: 4

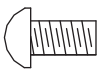


INSTALL DOOR

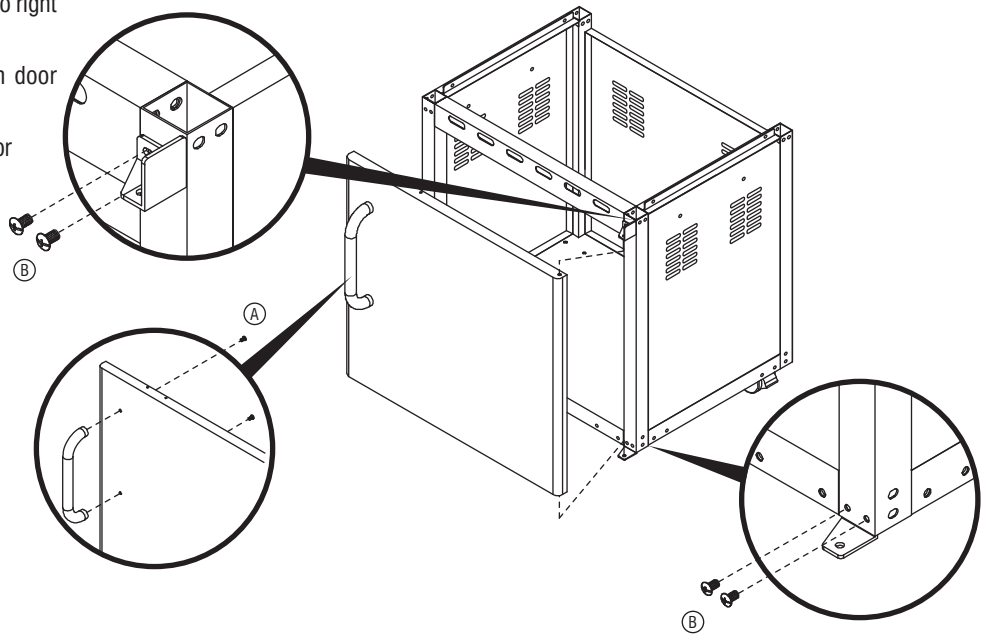
- Install the door handle to door.
- Install the bottom door hinge bracket to right trolley leg.
- Insert door bottom post into bottom door hinge bracket.
- Hold the door and install the top door hinge bracket to right trolley leg.

*Door handles*

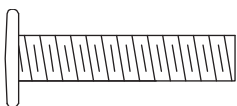
Phillips flat-head screw $1/4" \times 3/4"$
(Stainless steel) Qty: 2

*Door hinges*

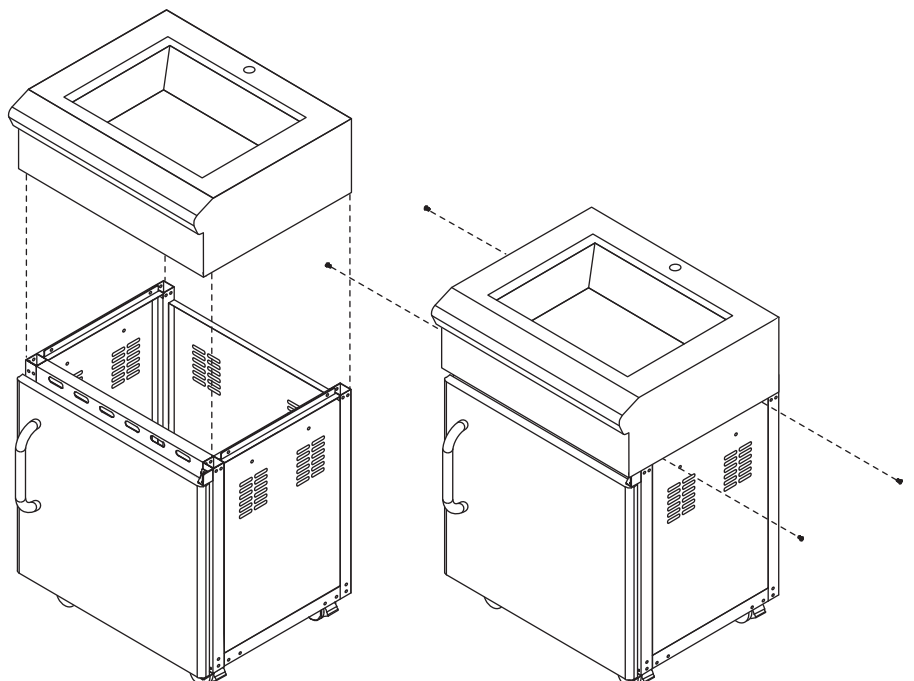
Phillips-head screw $3/16" \times 3/8"$
Qty: 4

**INSTALL SINK / WORKSTATION HEAD**

- Tighten securely using screws.

*Barbecue body to trolley*

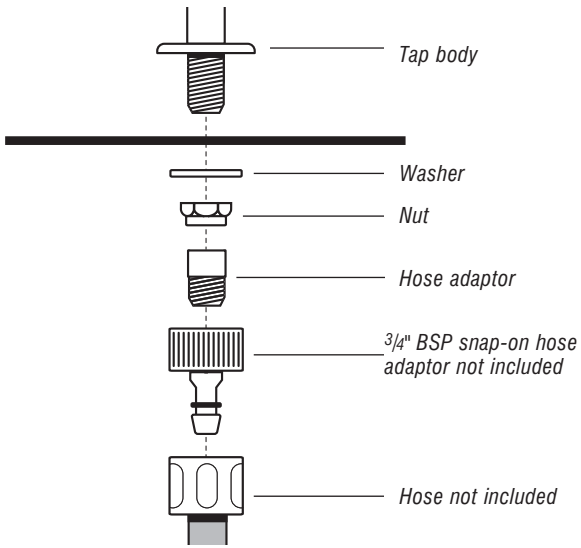
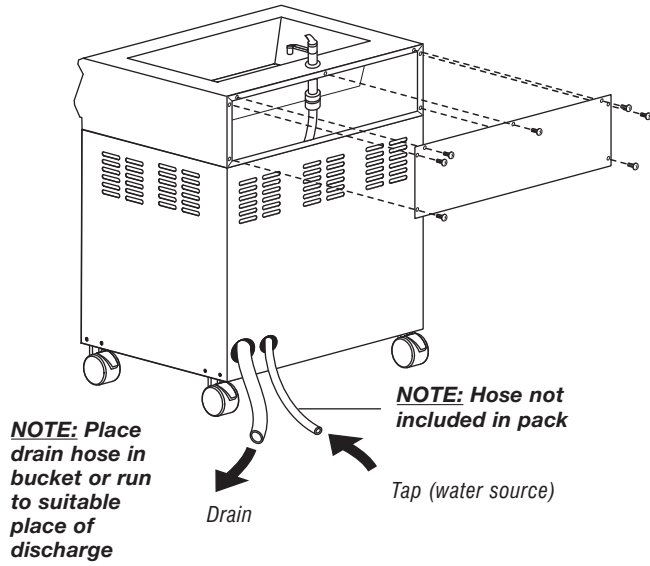
Phillips flat-head screw $1/4" \times 1\ 3/16"$
Qty: 4



INSTALL TAP AND DRAIN

Tap

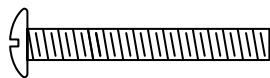
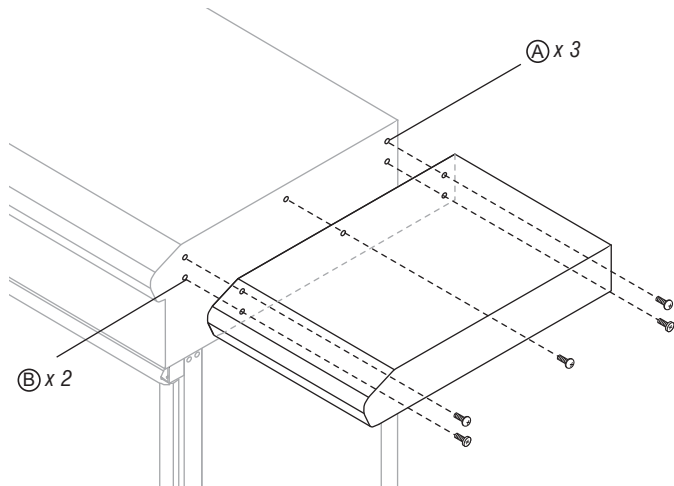
Remove screws securing the rear panel.



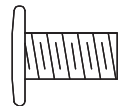
INSTALL SIDE SHELVES

NOTE: Shelves are not included, but are included with the barbecue modules, and can be purchased separately.

For information contact the place of purchase or the manufacturer. Refer back page.



Phillips-head screw 3/16" x 1 1/4"
Qty: 3

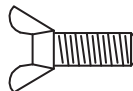
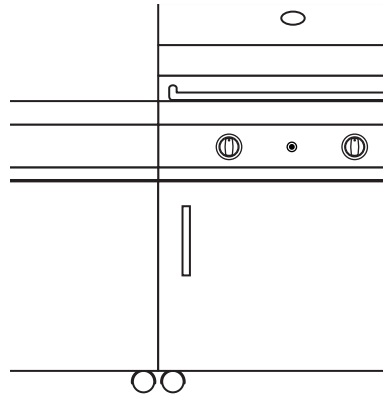


Phillips flat-head screw 1/4" x 3/4"
Qty: 2 (supplied with barbecue)

ATTACHING TO OTHER FREEDOM MODULES

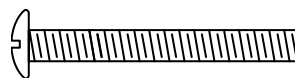
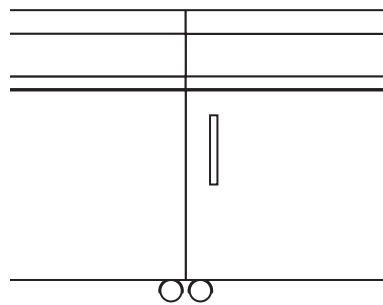
NOTE: Modules may be attached to both right and left sides of any other modules.

1. To Barbecue Module



Wing-head screw 1/4" x 1/2"
Qty: 3

2. To Range or Sink / Workstation Module



Phillips-head screw 3/16" x 1 1/2"
Qty: 2

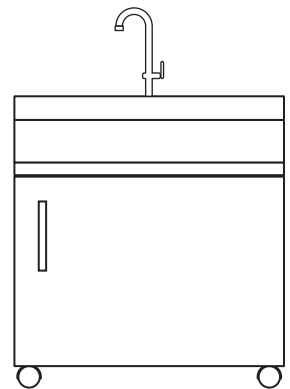
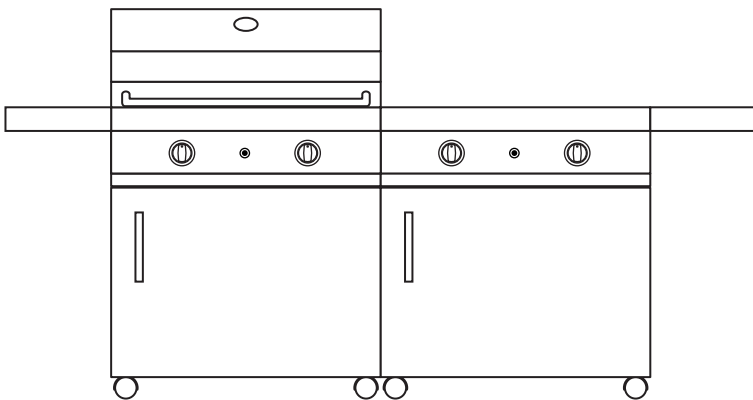
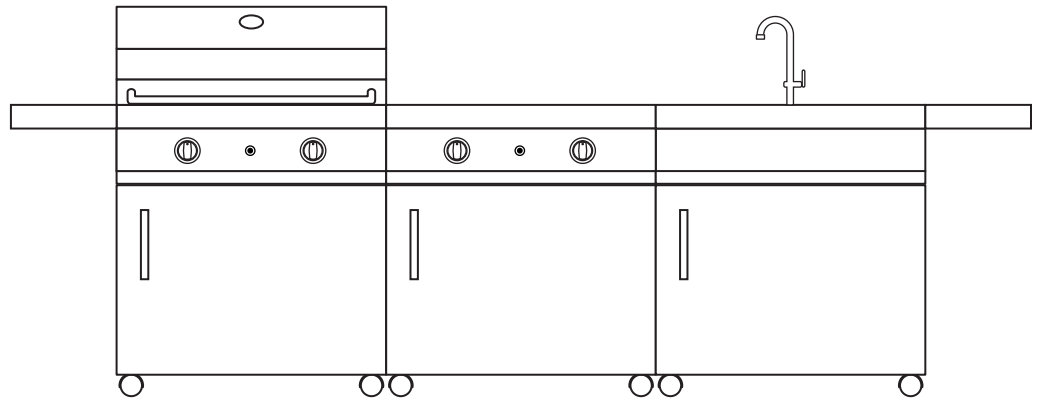
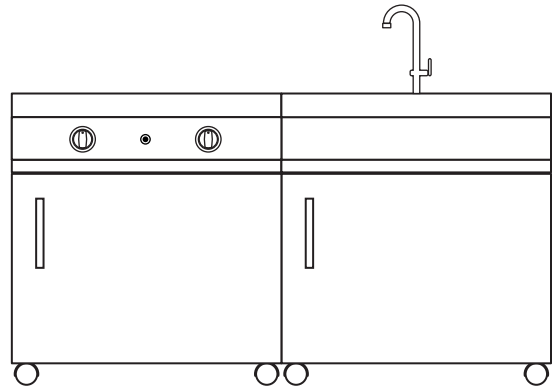
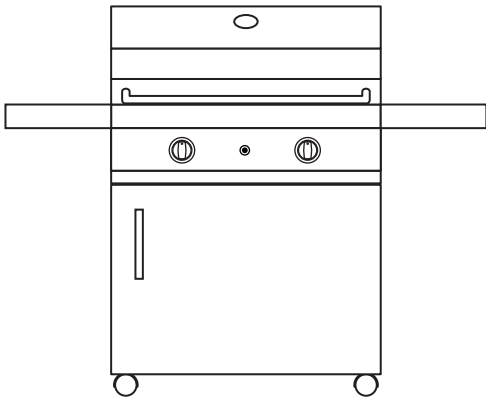
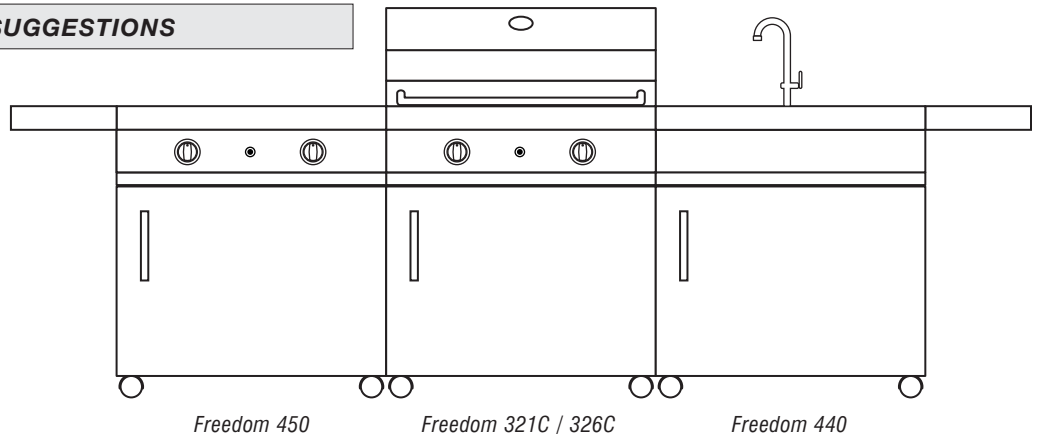


Flat washer 3/16"
Qty: 4



Nut 3/16"
Qty: 2

CONFIGURATION SUGGESTIONS





DO NOT USE OVEN CLEANER TO CLEAN THE APPLIANCE.

SOME PROPRIETARY BARBECUE CLEANERS MAY AFFECT / DAMAGE SOME OF THE SURFACE COATINGS USED ON THIS APPLIANCE. READ THE CLEANER INSTRUCTIONS CAREFULLY.

IT IS RECOMMENDED TO TEST FIRST IN AN INCONSPICUOUS PLACE.

GENERALLY WE RECOMMEND ONLY WARM SOAPY WATER FOR CLEANING THIS APPLIANCE.



IN COASTAL AREAS, FREQUENT CLEANING AND THE USE OF A COVER IS RECOMMENDED TO PROLONG THE LIFE OF THE APPLIANCE. SALTY AIR WILL ADVERSELY AFFECT EXPOSED PARTS.

CLEANING AND MAINTENANCE

Proper care and maintenance will keep the appliance in top operating condition and prolong its life. Follow these cleaning procedures on a timely basis and the appliance will stay clean and operate with minimum effort.

CLEANING EXTERIOR SURFACES

Before initial use and periodically thereafter we suggest you wash the appliance using a mild soap and warm water solution. You can use a wash cloth or sponge for this process. Do not use a stiff wire or brass brush. These will scratch stainless steel and chip painted surfaces (*varies by model*) during the cleaning process.

CARE FOR STAINLESS STEEL

Stainless steel over time will be affected by 'tea staining' (*the brown discolouration of some stainless steel*).

Tea staining can be reduced by washing the surface with mild detergent and warm water and then rinsing with clean cold water. We recommend the surface be wiped dry with a clean cloth.

STORAGE

We recommend that you minimise the exposure of the appliance to the elements.

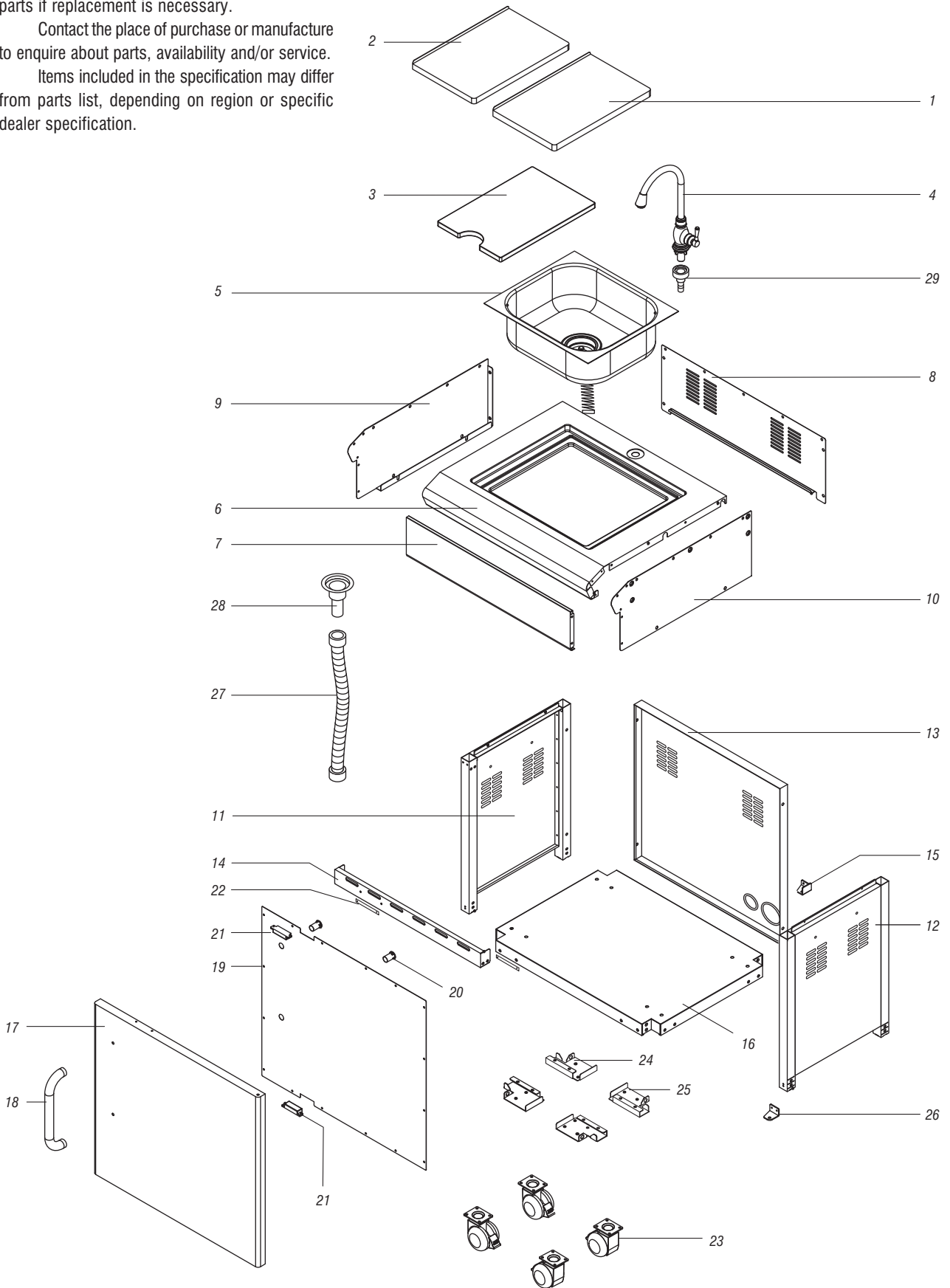
High moisture content in the air (*rain, mist, salt spray etc.*) can affect metal components and lead to material breakdown. If left in an area subjected to high moisture content, we strongly recommend that you observe the cleaning procedure on a regular basis and cover the appliance whilst not in use.

Material breakdown from high moisture conditions can be avoided if the appliance is well protected from the weather and regular cleaning is performed.

This diagram is provided to assist you identify parts if replacement is necessary.

Contact the place of purchase or manufacture to enquire about parts, availability and/or service.

Items included in the specification may differ from parts list, depending on region or specific dealer specification.



Ref	Description	Part No.	Qty
1	Lid – <i>bottom</i>	P0011542EA	1
2	Lid – <i>upper</i>	P0011543EA	1
3	Cutting board	P05334004D	1
4	Tap	P05513005M	1
5	Sink	P0071321FC	1
6	Bowl panel – <i>top</i>	P0073939BC	1
7	Front panel – <i>with screen print</i>	P02913121A	1
8	Bowl panel – <i>rear</i>	P00725711B	1
9	Bowl panel – <i>left</i>	P00720715B	1
10	Bowl panel – <i>right</i>	P00721715B	1
11	Trolley panel – <i>left</i>	P07605013B	1
12	Trolley panel – <i>right</i>	P07618013B	1
13	Trolley panel – <i>rear</i>	P07702056B	1
14	Trolley bracket – <i>front</i>	P03305015D	1
15	Door hinge – <i>top right</i>	P03313002D	1
16	Trolley bottom shelf	P01002052D	1
17	Door	P04304001B	1
18	Door handles	P00205029B	1
19	Door trim plate	P07510002B	1
20	Door spacer	P06801010G	2
21	Door magnet	P05523002K	2
22	Door stop plate	P05510002B	2
23	3" castor	P05119001A	4
24	Castor seat – <i>left rear, right front</i>	P05327008G	2
25	Castor seat – <i>left front, right rear</i>	P05327007G	2
26	Door hinge – <i>bottom right</i>	P03313003D	1
27	Drain hose	P05512014M	1
28	Drain assembly	P05512015M	1
29	Tap / hose adaptor	Y0150004	1
	Hardware pack	P06003063A	1

PRIVACY POLICY

Focus Lifestyle Products Pty Ltd may collect personal information about a consumer of its products in the course of receiving or responding to a warranty claim. Such information is only collected to enable the resolution of the warranty claim to the consumer's satisfaction, and is not disclosed to other organisations except service agents or sometimes the applicable retailer.

Focus Lifestyle Products has a Privacy Policy (*which is available on request*), which encompasses compliance with the Privacy Act 1988 (Cth). Importantly, individual consumers generally have a right to access information held about them.

Manufactured by
Grand Hall Enterprises Ltd China
for
Focus Lifestyle Products Pty Ltd
ABN 93 160 136 977
223 - 225 Governor Road, Braeside,
Victoria, Australia 3195

P.O. Box 532 Mordialloc,
Victoria, Australia 3195
enquiry@focuslifestyle.com.au
Tel: 1800 680 405

All specifications are subject to change
without notice.