

This Owner's Manual is provided and hosted by [Appliance Factory Parts](#).



Everstar MPN1-11CR-BB4 Owner's Manual

[Shop genuine replacement parts for Everstar
MPN1-11CR-BB4](#)



[Find Your Everstar Air Conditioner Parts - Select From 13 Models](#)

----- Manual continues below -----

Midea RAC International

Exploded View Parts for Model

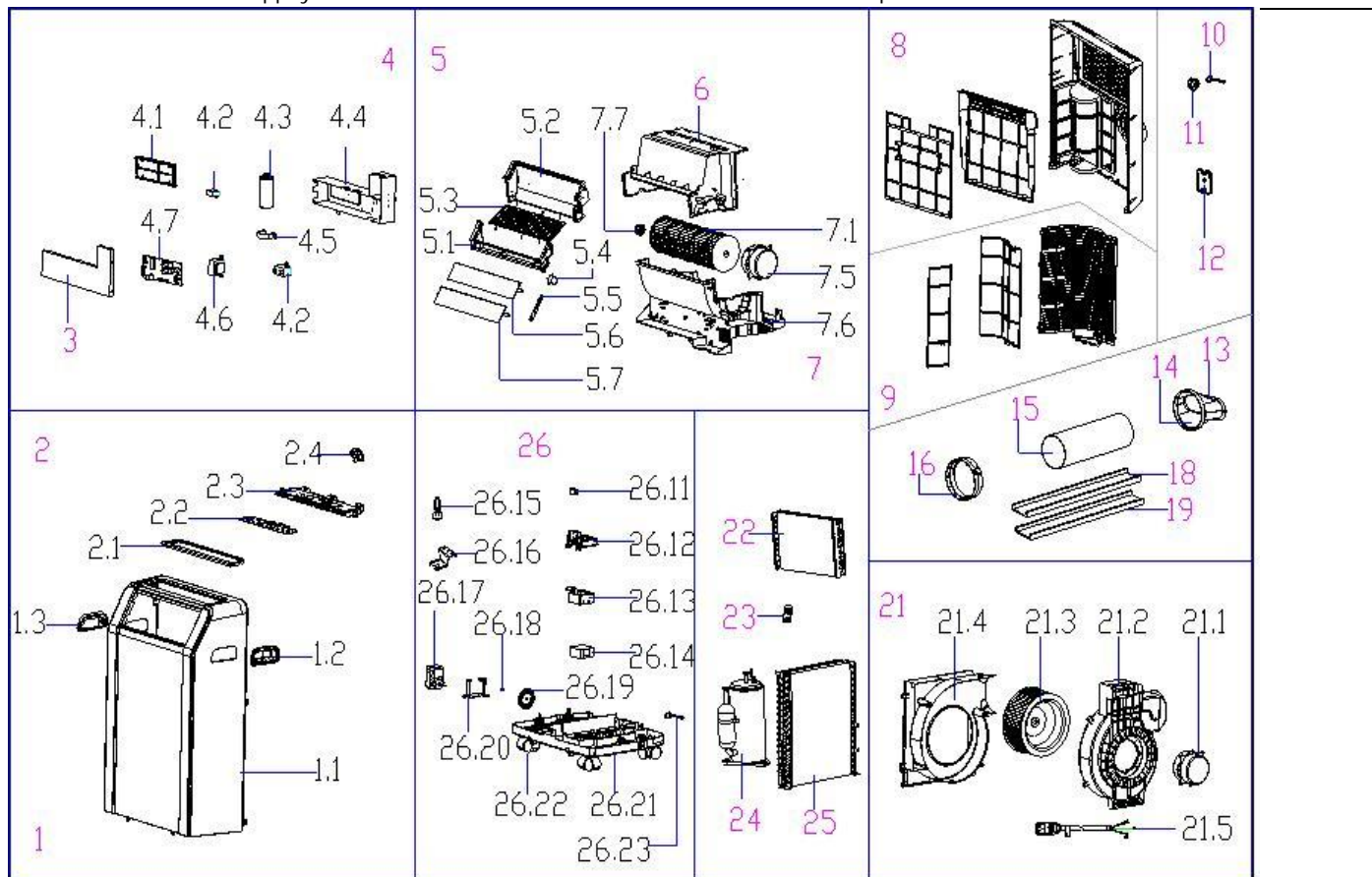
Sale model: MPN1-11CR-BB4

Factory model: HDUS-KC32Y1-N1(B4)

ProdCode: 220025300690

Power Supply: 115V- 60Hz 1Phase

Export Time: 2011-06-10 13:55:22



序号	零部件名称		数量	物料编码	价格	备注
No.	Chinese Name	Part Name	Quantity	BOM code	Price	Remark

1	前面板部件(表面喷涂 亮黑)	Front panel assembly	1	201125490314		
1.1	前面板(表面喷涂 亮黑)	Front panel	1	201125390034		
1.2	左把手(表面喷涂 亮黑)	Left handle	1	201125390035		
1.3	右把手(表面喷涂 亮黑)	Right handle	1	201125390036		
2	显示盒组件(RoHS)	Display box assembly	1	203325390066		
2.1	控制面板盖(S1008)(RoH)	Cover of control panel	1	201125490249		
2.2	显示板组件(贴片, 插件)	Display board assembly	1	201325390039		
2.3	控制面板(黑色)(RoHS)	Control panel	1	201125490020		
2.4	遥控接收窗(透明茶色)	Signal receiving window	1	201125590042		
3	电控盒盖(RoHS)	Cover of electronic control box	1	201225590019		
4	电控盒组件(B895机型)	Electronic control box assembly	1	203325390067		
4.1	主控板安装板(RoHS)	Bracket of main control board	1	201125190038		
4.2	电容(插片式)(RoHS)	Capacitor of fan motor	1	202401100308		
4.2	电容(插片式)	Capacitor of fan motor	1	202401100122		
4.3	压缩机电容(RoHS)	Capacitor of compressor	1	202401000002		

4.4	电控盒底(RoHS)	Electronic control box	1	201225590020
4.5	电容卡(RoHS)	Capacitor clip	1	201225590048
4.6	电源变压器(带保险丝)(Transformer		1	202300900193
4.7	主控板组件(插件,B895, Main control board assembly		1	201325390038
5	出风口部件(RoHS)	Air outlet assembly	1	201125390029
5.1	出风口1(黑色)(RoHS)	Air outlet 1	1	201125490312
5.2	出风口2(黑色)(RoHS)	Air outlet 2	1	201125490313
5.3	出风网罩(涂黑色, RoHS)	Air outlet grille	1	201225490052
5.4	步进电机(RoHS)	Louver motor	1	202400200039
5.5	出风摆叶连杆(黑色, RoH)	Connecting rod of louver	1	201125490342
5.6	出风摆叶1(表面喷涂 亮)	Horizontal louver	1	201125390031
5.7	出风摆叶2(表面喷涂 亮)	Horizontal louver	1	201125390030
6	N1内侧上风道部件(黑色)	Upper bracket of indoor volute Shell		201125390040
7	风道底座部件(黑色)(Ro)	Bottom bracket of indoor volute Shell		201125490315
7.1	贯流风轮部件(RoHS)	Cross flow fan	1	201100200115
7.5	异步电机(铁壳)(RoHS)	Asynchronous motor	1	202400400162
7.6	内侧风道底座(黑色)(Ro)	Bottom bracket of indoor volute Shell		201125490316
7.7	轴承座(RoHS)	Bearing bracket	1	202730100201
8	后面板部件(表面喷涂 亮)	Rear panel	1	201125490311
9	外侧进风框部件	Outdoor air inlet grille	1	201125390027
10	水塞(RoHS)	Drain stopper	1	202725490013
11	排水接头部件(黑色)(Ro)	Drain connector	1	201125490271
12	电源线盖(表面喷涂 亮)	Power cord cover	1	201125390026
13	排风管扁接头2上(S3017)	Prolate vent (top part)	1	201125490239
14	排风管扁接头2下(S3017)	Prolate vent (bottom part)	1	201125490238
15	排风软管(L=1500, PAH, S)	Vent-pipe	1	201125000137
16	排风软管圆接头(表面喷)	Vent joint	1	201125390041
18	窗口密封板I (PAH)	Window sealing board I	1	201125090001
19	窗口密封板II (PAH)	Window sealing board II	1	201125090002
21	排风蜗壳部件(黑色)(Ro)	Outside volute shell assembly	1	201125390042
21.1	异步电机(铁壳)(RoHS)	Asynchronous motor	1	202400400163
21.2	排风蜗壳(黑色)(RoHS)	Outside volute shell assembly	1	201125490256
21.3	离心风轮(原色, RoHS)	Centrifugal fan	1	201100100702
21.4	排风蜗壳盖(黑色)(RoHS)	Cover of outside volute shell	1	201125490257
21.5	电源线组件(LCDI 插头)	Power cord	1	202402260114
22	蒸发器部件(RoHS)	Evaporator coil assembly	1	201525390042
23	遥控器(R51)(单冷, 有负)	Remote controller	1	203355091083
24	压缩机(美芝)	Compressor	1	201400630540
25	冷凝器部件(RoHS)	Condenser assembly	1	201525390044
26	底盘部件(黑色)(RoHS)	Chassis assembly	1	201125390024
26.11	微动开关(RoHS)	Micro switch	1	202301830111
26.12	微动开关座(RoHS)	Bracket of micro switch	1	201125190048
26.13	浮子盒(RoHS)	Dobber case	1	201125190047
26.14	泡沫浮子(RoHS)	Dobber	1	202225190001
26.15	水位开关(RoHS)	Water level sensor	1	202301800161
26.16	水位开关支架(RoHS)	Bracket of water level sensor	1	201225490059
26.17	罩极电机(RoHS)	Shaded pole motor	1	202400700012

26.18	卡簧(RoHS)	Spring	1	201225490030
26.19	打水轮(原色)(RoHS)	Water wheel	1	201125490002
26.20	电机支架(RoHS)	Supporter assembly of fan motor	1	201225490027
26.21	底盘(黑色)(RoHS)	Chassis	1	201125490380
26.22	万向轮(不带齿动开关)(Universal wheel		4	202725100001
26.23	水塞(PAH)	Drain stopper	1	202725490002