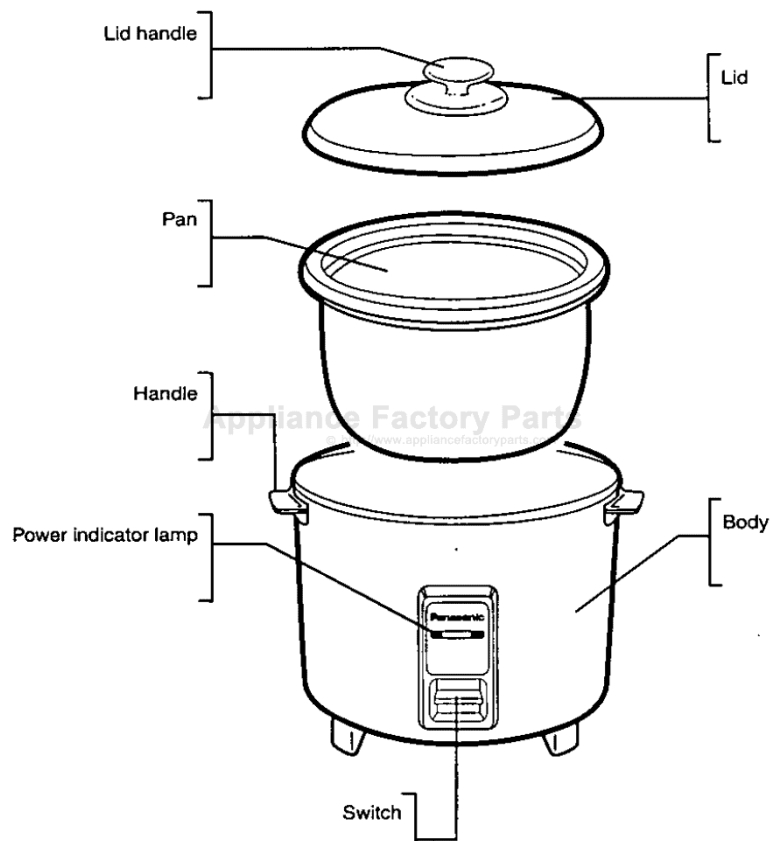


This Owner's Manual is provided and hosted by Appliance Factory Parts.



PANASONIC SR-W06SXP Owner's Manual

[Shop genuine replacement parts for PANASONIC SR-W06SXP](#)



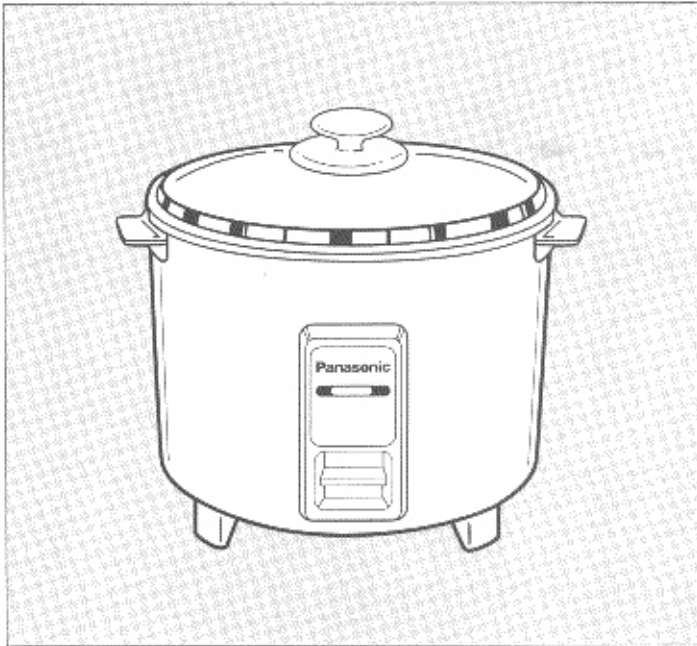
[Find Your PANASONIC Small Appliance Parts - Select From 148 Models](#)

----- Manual continues below -----

PCP

Operating Instructions

Rice Cooker/Steamer
SR-W06PD/SR-W06SXP



Panasonic[®]

Before using this cooker, please read these instructions completely.
Antes de usar la marmita, lea estas instrucciones hasta el final.

IMPORTANT SAFEGUARDS

When using electrical appliances, basic safety precautions should always be followed including the following:

1. Read all instructions.
2. Do not touch hot surfaces. Use handles or knobs.
3. To protect against electrical shock, do not immerse cord, plugs and Rice Cooker/steamer except lid and pan, in water or other liquid.
4. Close supervision is necessary when any appliance is used by or near children.
5. Unplug from outlet when not in use and before cleaning. Allow to cool before putting on or taking off parts.
6. Do not operate any appliance with a damaged cord or plug or after the appliance malfunctions or has been damaged in any manner. Return appliance to the nearest authorized service facility for examination, repair, or adjustment.
7. The use of accessory attachments not recommended by the appliance manufacturer may cause injuries.
8. Do not use outdoors.
9. Do not let cord hang over edge of table or counter, or touch hot surfaces.
10. Do not place on or near a hot gas or electric burner, or in a heated oven.
11. Extreme caution must be used when moving an appliance containing hot oil or other hot liquids.
12. Always attach plug to appliance first, then plug cord into the wall outlet. To disconnect, turn any control to "off", then remove plug from wall outlet.
13. Do not use appliance for other than intended use.

14. SAVE THESE INSTRUCTIONS

This product is intended for household use.

NOTE

- A. A short power supply cord set is to be provided to reduce the risk resulting from becoming entangled in or tripping over a longer cord.
- B. Longer cord set or extension cords are available and may be used if care is exercised in their use.
- C. If a longer cord set or extension cord is used,
 - (1) the marked electrical rating of the cord set or extension cord should be at least as great as the electrical rating of the appliance,
 - (2) the longer cord should be arranged so that it will not drape over the countertop or tabletop where it can be pulled on by children or tripped over unintentionally.

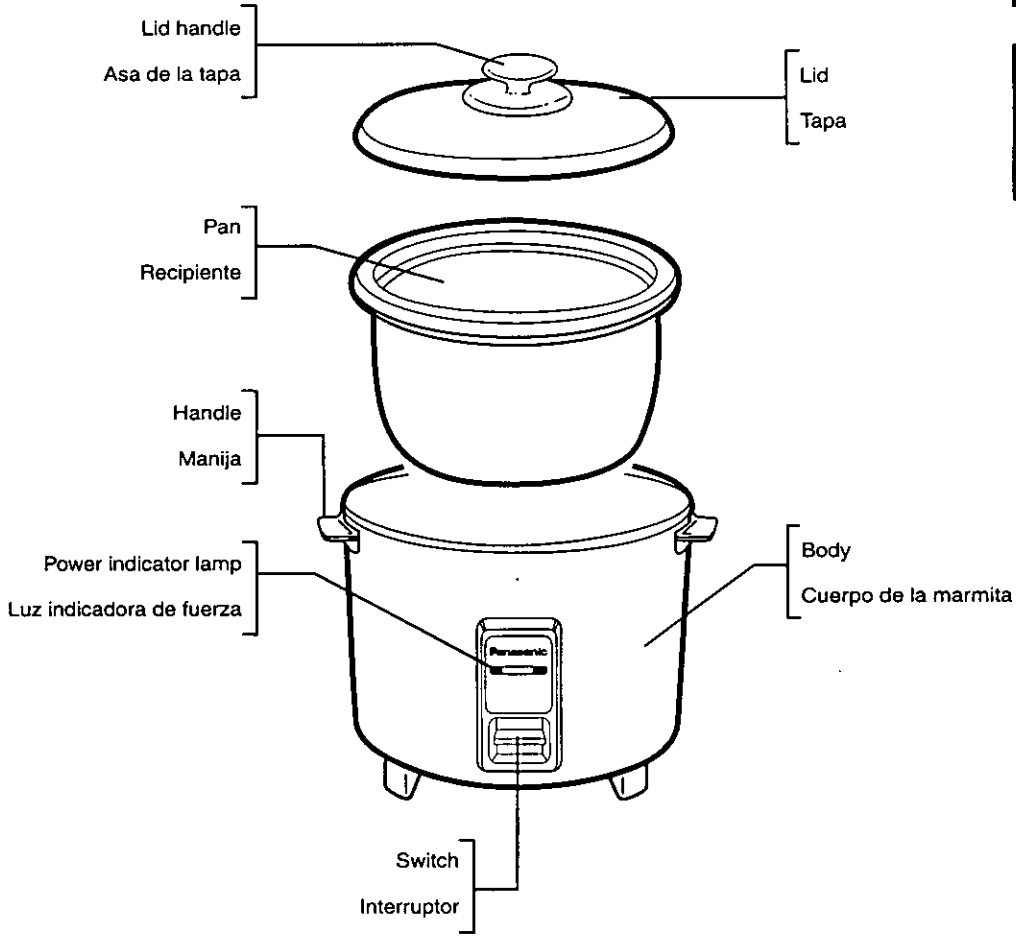
This appliance has a polarized plug: (one blade is wider than the other). As a safety feature, this plug will fit in a polarized outlet only one way. If the plug does not fit fully in the outlet, reverse the plug. If it still does not fit, contact a qualified electrician. Do not attempt to defeat this safety feature.

PARTS IDENTIFICATION

IDENTIFICACION DE LAS PARTES

ENGLISH

ESPAÑOL



Measuring cup
(approx. 6 fl.oz./180ml)
Taza medidora
(aprox. 6 fl.oz./180ml)

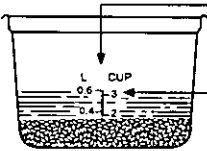


Steaming plate
Placa de vapor

HOW TO USE

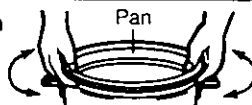
1 Measure rice with the measuring cup provided. One cup of uncooked rice makes approximately 2 cups of cooked rice. Rinse rice in a separate bowl until water becomes relatively clear.

2 Place rinsed rice in the pan. Add water according to the following standard.

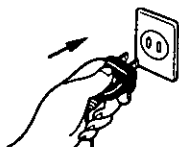
Using the markings on the pan	Using the measuring cup	
e.g. To cook 3 cups of rice, rinse the rice, put it into the pan and then add water to LEVEL INDICATOR 3.	Raw rice by cup	Water to be added
	3 cups.....	3-3 1/4 cups
	2 cups.....	2-2 1/4 cups
	1 cup	1-1 1/4 cups

Adjust water quantity to your taste.

3 Set the pan in the cooker. To place correctly on the heater, turn the pan gently to right and left. Cover with the lid and let rice soak approximately 30 minutes.

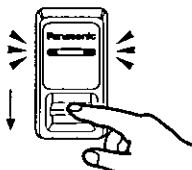


4 Plug in.



If the pan is not in the cooker, cooking will not begin.

5 Press the switch. The power indicator lamp tells you cooking has started.



6 When rice is done, the switch pops up automatically and the lamp goes out.

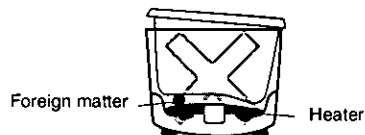
7 After the switch pops up, leave the lid closed for at least 15 minutes to steam rice.

8 Unplug after use. Grasp plug, not the cord.

CAUTION

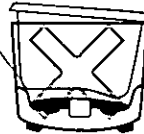
- 1** • Make sure that the pan is sitting properly in the cooker.
If the pan is not positioned correctly, the switch may click off too soon or the heater may be damaged.

WRONG



- Do not leave the steaming plate between the heater and the pan.

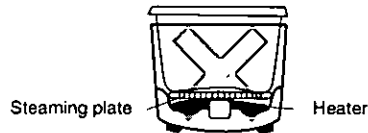
The pan should not be caught on the ledge above the heater.



The pan should not be caught on the edge of the body.

Your rice cooker has been designed with a thermal fuse which may shut the heater off in these cases.

- Be sure the switch is off before removing the pan.



- 2** Replace all damaged parts immediately.

- 3** Handle the glass lid carefully.
If it is dropped, the glass may break or the edge may be deformed.

- 4** Do not tilt the rice-cooker on its edge or place it upside down with its power supply plug connected, as this may cause damage.

- 5** Non-stick coated pan may discolor with age. This is normal. Do not use metal utensils with Non-stick coated pan.

HOW TO USE STEAMING PLATE

- Pour water into the pan and set the steaming plate and food.
Cover with the lid and switch on to start steaming.
- To reheat cold rice, use this steaming function only.

HOW TO CLEAN

1. Unplug before cleaning.
2. Soak the pan and the steaming plate in hot water to loosen cooked-on rice.
3. Do not immerse the body in water or any other liquid. Wipe with a damp cloth.
4. Do not use abrasive cleaners or steel wool. Clean with non-metal brush or sponge.

SPECIFICATIONS

Model No.	Power supply	Power consumed	Capacity	Dimensions (HxWxD)	Weight	Accessories
SR-W06SXP SR-W06PD	120V AC	310W	0.19 - 0.6qts. (0.18 - 0.6L)	7 ¹ / ₈ x 9 ¹ / ₂ x 7 ¹ / ₈ (20 x 24 x 20 cm)	2.6 lbs. (1.2 kg)	Measuring cup (approx.6fl.oz./180 ml) Steaming plate

ESPECIFICACIONES

N.º de modelo	Alimentación	Consumo	Capacidad	Dimensiones (Al x An xPrf)	Peso	Accesorios
SR-W06SXP SR-W06PD	120V CA	310W	0.19 - 0.6qts. (0.18 - 0.6L)	7 ¹ / ₈ x 9 ¹ / ₂ x 7 ¹ / ₈ (20 x 24 x 20 cm)	2.6 lbs. (1.2 kg)	Taza medidora (approx.6ft.oz./180ml) Placa de vapor

PANASONIC CONSUMER ELECTRONICS COMPANY,
DIVISION OF MATSUSHITA ELECTRIC CORPORATION OF AMERICA
One Panasonic Way, Secaucus,
New Jersey 07094

Printed in Thailand

QY00A198
AP9905-0

ENGLISH

ESPAÑOL