

This Owner's Manual is provided and hosted by [Appliance Factory Parts](#).



# PANASONIC MC-V7722 Owner's Manual

[Shop genuine replacement parts for PANASONIC  
MC-V7722](#)



[Find Your PANASONIC Vacuum Cleaner Parts - Select From 605 Models](#)

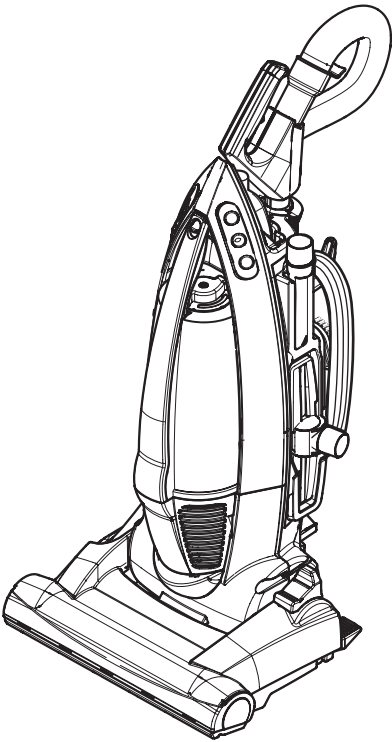
----- Manual continues below -----

# Panasonic®

## Operating Instructions Manuel d'utilisation *Instrucciones de operación*

VACUUM CLEANER  
Aspirateur  
*Aspiradora*

# MC-V7722



**Before operating your vacuum cleaner,  
please read these instructions completely.**

*Avant d'utiliser l'appareil, il est recommandé  
de lire attentivement ce manuel.*

*Antes de usar su aspiradora, lea  
completamente estas instrucciones por favor.*

# CONSUMER INFORMATION

Please read **IMPORTANT SAFETY INSTRUCTIONS** on page 5 before use. Read and understand all instructions.

## TO OUR VALUED CUSTOMER

We are very pleased to welcome you to the Panasonic family of products. Thank you for purchasing this product. Our intent is that you become one of our many satisfied customers.

**Proper assembly and safe use of your vacuum cleaner are your responsibilities. Your vacuum cleaner is intended only for household use. The vacuum cleaner should be stored in a dry, indoor area. Read the Operating Instructions carefully for important use and safety information.**

**Special care is required when vacuuming certain types of carpet or floor covering. Always check the carpet or floor covering manufacturer's recommended cleaning instructions before vacuuming.**

## PLEASE PAY CLOSE ATTENTION TO ALL WARNING AND CAUTION STATEMENTS.

### **WARNING**

**WARNING** statements are designed to alert you to the possibility of personal injury, loss of human life, and/or damage to the vacuum cleaner and/or personal property if the instructions given are not followed.

### **CAUTION**

**CAUTION** statements are designed to alert you to the possibility of damage to the vacuum cleaner and/or personal property if the instructions given are not followed.

### **WARNING**

#### **TO AVOID ELECTRICAL SHOCK**

Never vacuum damp or wet surfaces or liquids.  
DO NOT store vacuum cleaner outdoors.  
Replace worn or frayed power cord immediately.  
Unplug from outlet when not in use and before servicing.

#### **TO AVOID ACCIDENTS**

Except for hand-held cleaners, keep vacuum cleaner on floor - not chairs, tables, steps, stairs, etc.  
Store vacuum cleaner promptly after each use to prevent accidents such as tripping over power cord or vacuum cleaner.  
Use vacuum cleaner and accessories only in a manner intended by the manufacturer.  
The use of an extension cord is not recommended.

# IMPORTANT SAFETY INSTRUCTIONS

When using your vacuum cleaner, basic precautions should always be followed, including the following:

**Read** all instructions in this manual before assembling or using your vacuum cleaner.

## **WARNING** To reduce the risk of fire, electrical shock, injury:

1. **Use** your vacuum cleaner only as described in this manual. Use only with Panasonic recommended attachments.
2. **Disconnect** electrical supply before servicing or cleaning out the brush area. Failure to do so could result in the brush unexpectedly starting, causing personal injury from moving parts.
3. **Do not** leave vacuum cleaner when plugged in. Unplug from outlet when not in use and before servicing.
4. **To reduce** the risk of electrical shock - Do not use outdoors or on wet surfaces.
5. **Do not** allow to be used as a toy. Close attention is necessary when used by or near children.
6. **Do not** use with a damaged cord or plug. If vacuum cleaner is not working as it should, has been dropped, damaged, left outdoors, or dropped in water, return it to a Panasonic Service Center.
7. **Do not** pull or carry by cord, use cord as a handle, close a door on cord, or pull cord around sharp edges or corners. Do not run vacuum cleaner over cord. Keep cord away from heated surfaces.
8. **Do not** unplug by pulling on cord. To unplug, grasp the plug, not the cord.
9. **Do not** handle plug or vacuum cleaner with wet hands.
10. **Do not** put any objects into openings.
11. **Do not** use with any opening blocked; keep free of dust, lint, hair, and anything that may reduce air flow.
12. **Keep** hair, loose clothing, fingers, and all parts of body away from openings and moving parts.
13. **Turn off** all controls before unplugging.
14. **Use** extra care when cleaning on stairs. Do not put on chairs, tables, etc. Keep on floor.
15. **Do not** use vacuum cleaner to pick up flammable or combustible liquids (gasoline, cleaning fluid, perfumes, etc.), or use in areas where they may be present. The fumes from these substances can create a fire hazard or explosion.
16. **Do not** pick up anything that is burning or smoking, such as cigarettes, matches, or hot ashes.
17. **Do not** use vacuum cleaner without dust bin and/or filters in place.
18. **Unplug** before connecting Air Turbine.
19. **You are** responsible for making sure that your vacuum cleaner is not used by anyone unable to operate it properly.

## SAVE THESE INSTRUCTIONS

**THIS VACUUM CLEANER IS INTENDED FOR HOUSEHOLD USE ONLY**

**NOTE:** Before you plug in your Panasonic vacuum cleaner, make sure that the voltage indicated on the rating plate located at the back of the vacuum cleaner is the same as your local electrical supply.

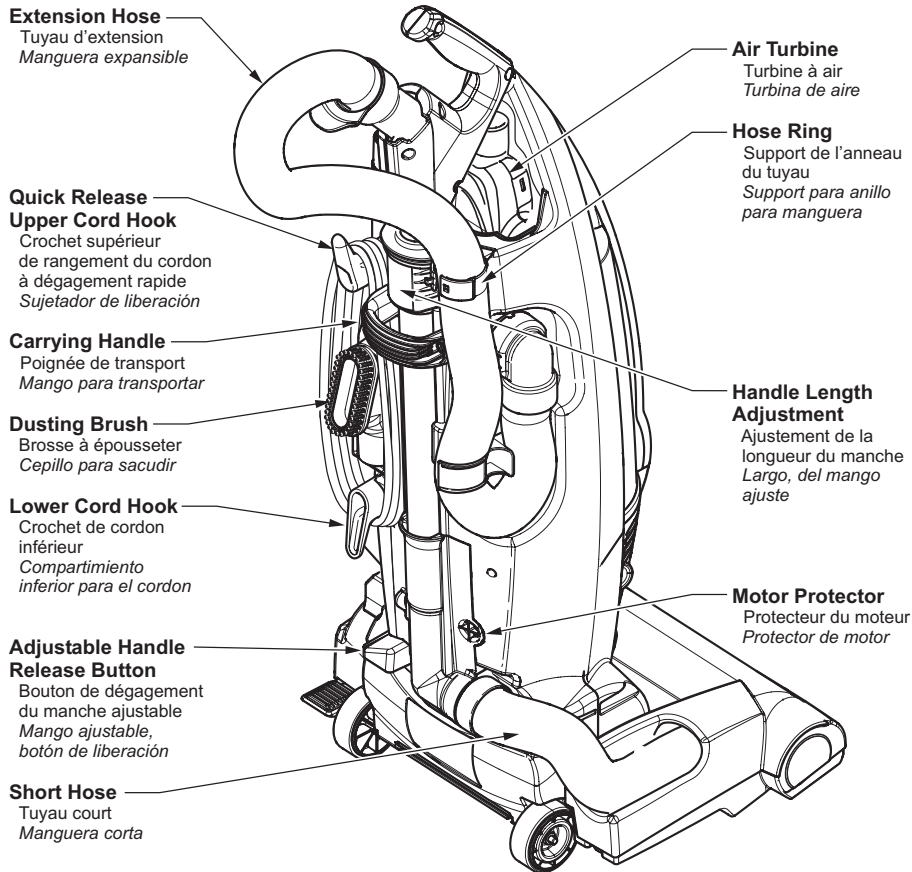
## TABLE OF CONTENTS

<b>CONSUMER INFORMATION</b> .....	2
<b>IMPORTANT SAFETY</b>	
<b>INSTRUCTIONS</b> .....	5
<b>PARTS IDENTIFICATION</b> .....	10,11
<b>FEATURE CHART</b> .....	11
<b>ASSEMBLY</b> .....	12
<b>Attaching Components</b> .....	12
<b>FEATURES</b> .....	14
<b>Adjustable Length Handle</b> .....	14
<b>Cord Hook</b> .....	14
<b>Locking Notch</b> .....	14
<b>Automatic Self Adjusting Nozzle</b> .....	16
<b>Edge Cleaning</b> .....	16
<b>Power On Demand (POD)</b> .....	16
<b>TO OPERATE VACUUM CLEANER</b> .....	18
<b>Power Cord</b> .....	18
<b>Power On Demand (POD)</b> .....	18
<b>Using Adjustable Handle</b> .....	18
<b>Adjustable Handle</b> .....	20
<b>Hose Removal from Handle</b> .....	22
<b>Using Tools with Removable Hose</b> .....	22
<b>Body Release</b> .....	24
<b>Carpet-Bare Floor Selector</b> .....	26
<b>Attachments</b> .....	28
<b>Hose Ring and Hose Mount</b> .....	30
<b>Dirt Sensor</b> .....	32
<b>To Clean Dirt Sensor Optics</b> .....	34
<b>Dust Bin Cleaning</b> .....	36
<b>Filter Changing and Cleaning</b> .....	38
<b>Motor Protector</b> .....	40
<b>ROUTINE CARE OF VACUUM CLEANER</b> .....	40
<b>Cleaning Secondary Filter Screen</b> .....	40
<b>Replacing HEPA Exhaust Filter</b> .....	42
<b>Cleaning Agitator</b> .....	44
<b>Thermal Protector</b> .....	44
<b>Removing and Installing Lower Plate</b> .....	46
<b>Replacing Belt</b> .....	48
<b>Replacing Headlight Bulb</b> .....	50
<b>Cleaning Exterior and Tools</b> .....	52
<b>Removing Clogs</b> .....	54
<b>BEFORE REQUESTING SERVICE</b> .....	56
<b>WARRANTY</b> .....	59,60
<b>WHAT TO DO WHEN SERVICE IS NEEDED</b> .....	64

# PARTS IDENTIFICATION

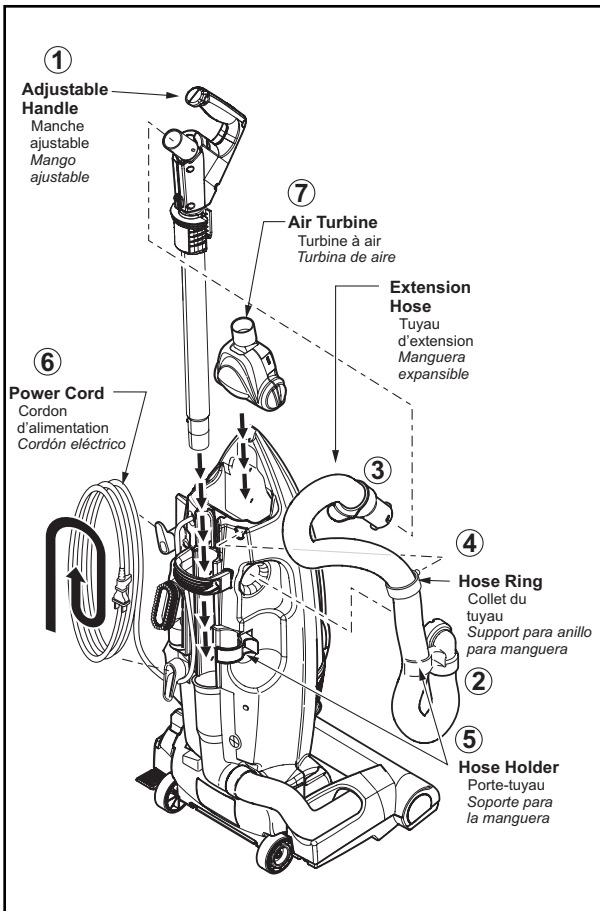
Nomenclature

Identificación de piezas



# ASSEMBLY

## Attaching Components



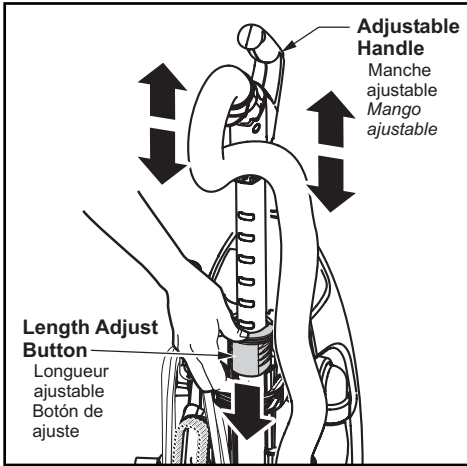
### CAUTION

**DO NOT** plug in until assembly is complete.

- ① ➤ Insert adjustable handle assembly as illustrated.
- ② ➤ Attach hose end to vacuum cleaner as illustrated.
- ③ ➤ Insert hose onto handle.
- ④ ➤ Attach hose ring to vacuum cleaner body where indicated.
- ⑤ ➤ Place extension hose behind hose holder where indicated.
- ⑥ ➤ Wrap power cord clockwise around upper and lower cord hooks as shown.
- ⑦ ➤ Insert air turbine into holder on vacuum cleaner body as indicated.

## FEATURES

### Adjustable Length Handle

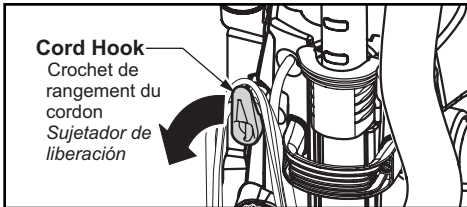


- Press Handle Length Adjust button and raise handle to a comfortable operating position.

### CAUTION

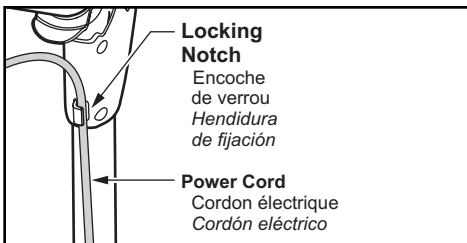
**DO NOT** carry the vacuum cleaner by the adjustable handle. Use **ONLY** the carrying handle located on the back of the vacuum cleaner.

### Cord Hook



- Detach plug head from power cord.
- Rotate cord hook down to release cord.
- Return the cord hook to the upright position before attempting to rewind the cord.

### Locking Notch

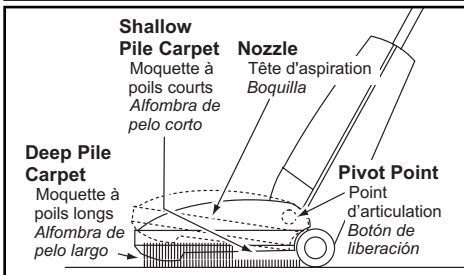


- Make sure the power cord is placed into the locking notch as shown.

**Note:** This helps keep the power cord out from under the vacuum cleaner agitator.

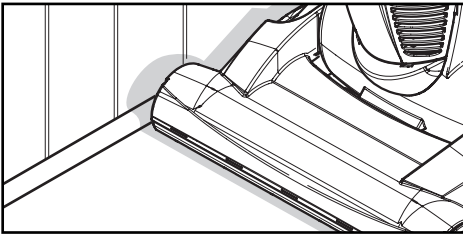


## Automatic Self Adjusting Nozzle



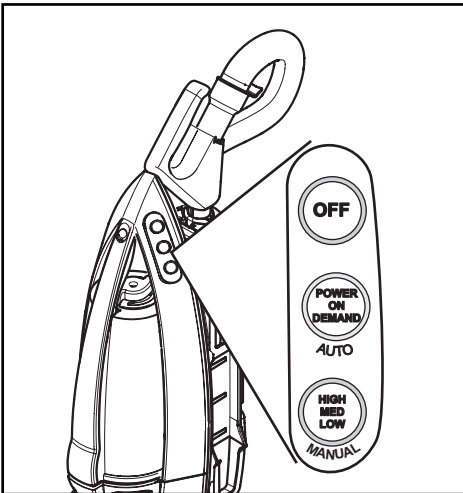
- The nozzle of your Panasonic vacuum cleaner automatically adjusts to any carpet pile height.
- Feature allows nozzle to float evenly over carpet pile surfaces.
- No manual adjustments required.

## Edge Cleaning



- Edge cleaning feature enables improved cleaning of carpets near walls and furniture.

## Power On Demand (POD)



Your Panasonic vacuum cleaner is equipped with the latest technology.

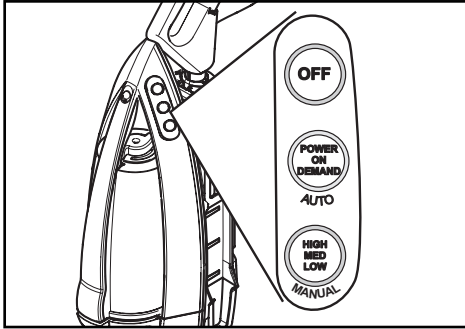
- **AUTO**
  - Automatically chooses the right cleaning power for any cleaning need.
  - When AUTO mode is active the Power On Demand (POD) indicator is green.
  - To turn OFF or de-activate the AUTO mode press OFF or MANUAL button.
- **MANUAL**
  - High power for deep cleaning high traffic areas.
  - Medium power for normal cleaning.
  - Low power for area rugs and delicate fabrics.
- **OFF**
  - Turns off the vacuum cleaner.

## TO OPERATE VACUUM CLEANER

### Power Cord

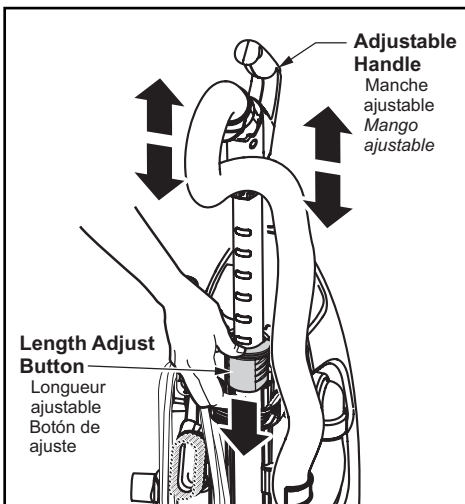
**Note:** To reduce the risk of electrical shock, this vacuum cleaner has a polarized plug, one blade is wider than the other. This plug will fit in a polarized outlet only one way. If the plug does not fit fully in the outlet, reverse the plug. If it still does not fit, contact a qualified electrician to install the proper outlet. **DO NOT CHANGE THE PLUG IN ANY WAY.** Only use outlets near the floor.

### Power On Demand (POD)



- **AUTO** - Turns ON the vacuum cleaner in *Power On Demand* mode.
- **MANUAL** - Turns ON the vacuum cleaner in *MANUAL* mode and changes the suction level of the vacuum cleaner motor.
- **OFF** - Turns *OFF* vacuum cleaner.

### Using the Adjustable Handle

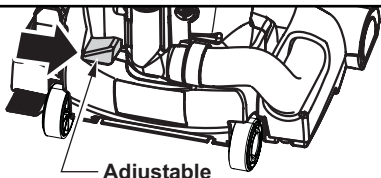


- Press the **HANDLE LENGTH ADJUST** button located on the back of the vacuum cleaner.
- Raise or lower the adjustable handle to the desired operating position.

### **CAUTION**

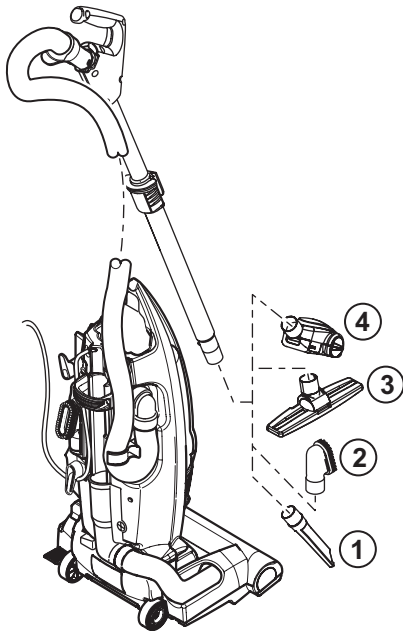
**DO NOT** carry the vacuum cleaner by the adjustable handle. Use **ONLY** the carrying handle located on the back of the vacuum cleaner.

## Adjustable Handle

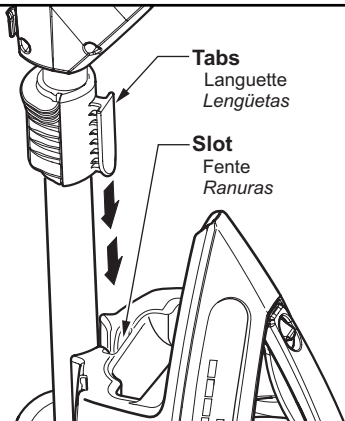


**Adjustable  
Handle Release**  
Adjustable  
Handle Release  
Mango ajustable,  
botón de liberación

- Remove the handle by pushing the adjustable handle release button to the right.
- Lift adjustable handle assembly out of the vacuum cleaner.
- With the handle free from the vacuum cleaner it now can be used as an extension wand. Length can be changed when being used as a wand.



- Add attachments to suit your cleaning needs.
- The Crevice Tool ① may be used on the following items:
  - Furniture
  - Cushions
  - Drapes
  - Stairs
  - Walls
- The Dusting Brush ② may be used on the following items:
  - Furniture
  - Drapes
  - Stairs
  - Walls
- The Floor Brush ③ may be used on the following items:
  - Stairs
  - Floors
- The Panasonic Air Turbine ④ may be used on the following items:
  - Furniture
  - Stairs
  - Floors
- Place adjustable handle securely back into the vacuum cleaner by aligning tabs on handle assembly with slots on body as shown.



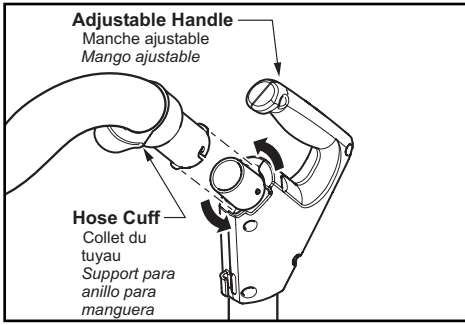
**Tabs**  
Languette  
Lengüetas

**Slot**  
Fente  
Ranuras

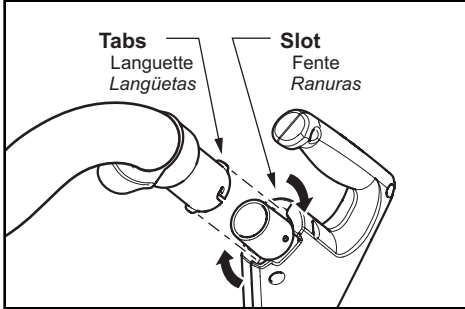
### **! CAUTION**

**DO NOT** carry the vacuum cleaner by the adjustable handle. Use **ONLY** the carrying handle located on the back of the vacuum cleaner.

## Hose Removal from Handle

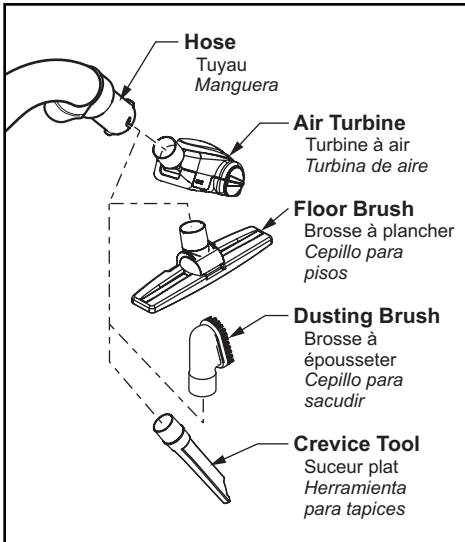


- To remove hose from adjustable handle; grasp hose by the hose cuff and rotate counter-clockwise, and slide off of handle.



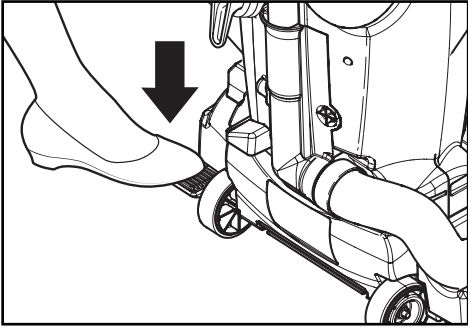
- To reinstall hose to adjustable handle slide cuff onto handle and rotate clockwise to lock.

## Using Tools with Removable Hose

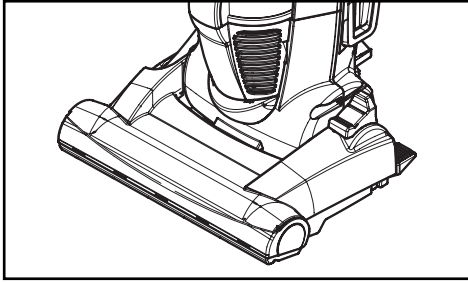


- With the hose free from the wand it now can be used to add attachments.
- Add attachments to suit your cleaning needs. (see page 20 for suggested attachment usage)

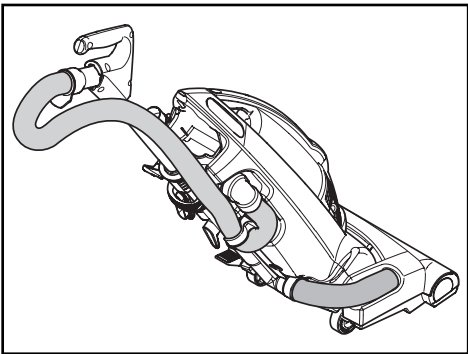
## Body Release



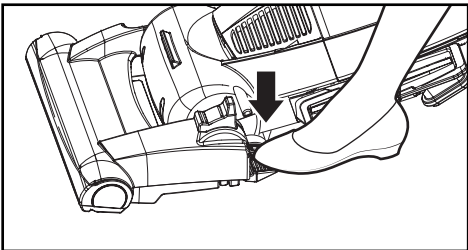
- Your vacuum cleaner is equipped with three (3) position body release;
  - Upright position (locked)
  - Middle position (normal use)
  - Low position (getting under furniture)
- Release the body by pressing down on the body release pedal with your foot and pulling back and down on the handle with your hand.



- Move the vacuum cleaner to upright position for storage and tool use.

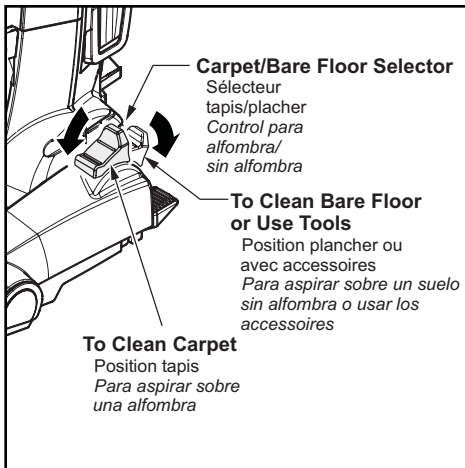


- Move the vacuum cleaner to middle position for normal use.



- To move the vacuum cleaner to the low position press the body release pedal again.

## Carpet/Bare Floor Selector



➤ Selector should be placed in **BARE FLOOR (TOOLS)** position when using vacuum cleaner on bare floors and when using tools. The agitator does not rotate in the **BARE FLOOR (TOOLS)** position.

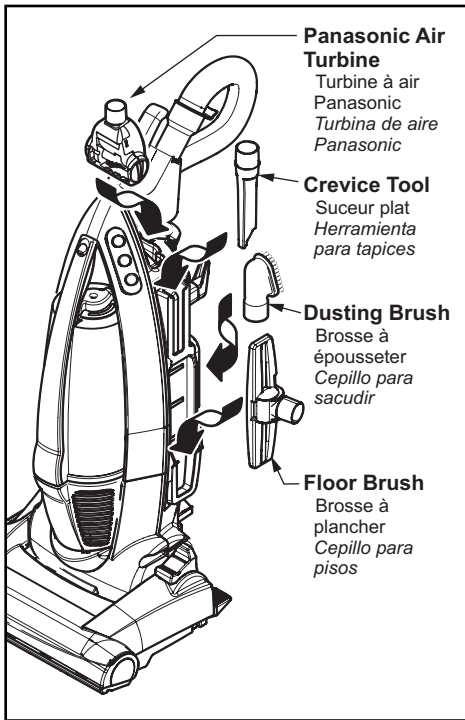
➤ Selector should be placed in **CARPET** position when using vacuum cleaner on carpeted floors.

**NOTE:** For longer belt life, turn vacuum cleaner off before moving selector.

➤ Otherwise, take care when selecting either position to ensure selector is pushed as **fully and quickly** as possible to desired position.

➤ Failure to do so can cause belt to rub on selector shaft and result in belt becoming hot and creating a burning rubber smell.

## Attachments



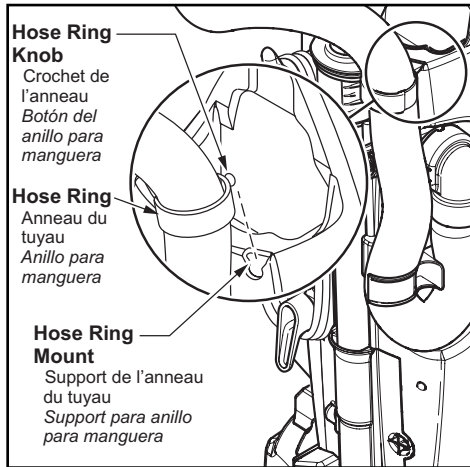
Identify each of the attachments shown.

**Note:** The motor protector may open when using attachments or when cleaning new carpet, due to reduced airflow by the attachments themselves or by new carpet lint filling the dust bin quickly.

**Note:** When using attachments make sure the vacuum cleaner is in the upright position and the Carpet/ Bare Floor selector is in the BARE FLOOR position.

- Remove the upper end of the hose that is attached to the adjustable handle by grasping the hose collar, twisting and pulling straight out. The attachments can now be added to the hose.
- Remove dusting brush from the vacuum cleaner. Place back in its appropriate storage location.
- Remove crevice tool from the side of the vacuum cleaner. Place back in its appropriate storage location.
- Remove floor brush from the side of the vacuum cleaner. Place back in its appropriate storage location.
- Reattach the extension hose to the the adjustable handle.
- Reinsert Panasonic Air Turbine into the vacuum cleaner as shown.

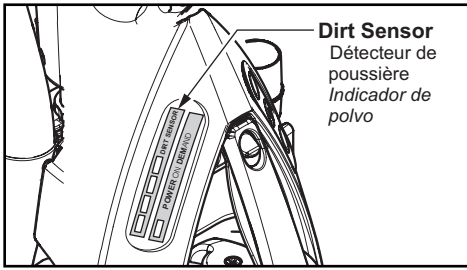
## Hose Ring and Hose Ring Mount



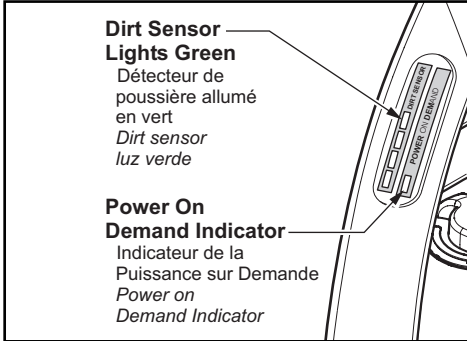
➤ Place hose ring in hose ring mount as shown in illustration.



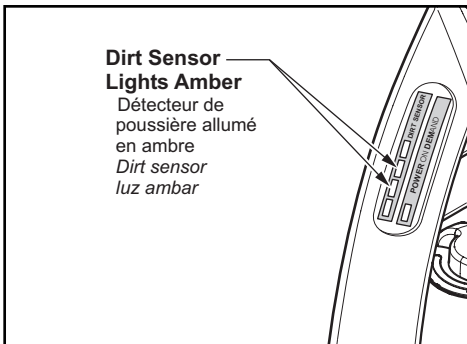
## Dirt Sensor



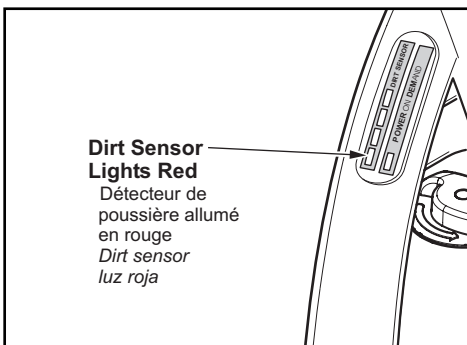
- The electronic dirt sensor is a feature which will detect particles as they pass through the vacuum cleaner.
- The dirt sensor indicator is located on the front of the vacuum cleaner as illustrated.



- When there is little or no dirt present the dirt sensor is green, indicating that POD power is at MEDIUM. At MEDIUM power the vacuum cleaner operates at low energy consumption and noise levels.

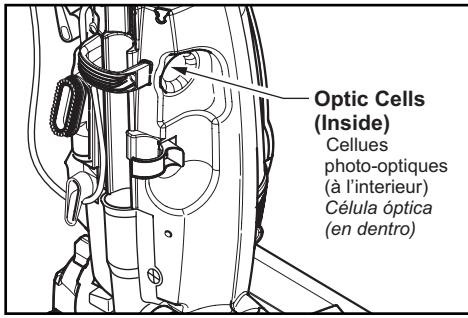


- With normal dirt concentration the dirt sensor is amber, indicating that POD power is at HIGH. Energy consumption and noise levels increase.



- With heavy dirt concentration the dirt sensor is amber and red, indicating that POD power is at MAXIMUM. The vacuum cleaner operates at its highest energy consumption and noise levels.

## To Clean Dirt Sensor Optics



- The dirt sensor optics consist of two optic cells located inside the suction inlet. Occasionally, it may become necessary to clean the two optic cells to assure maximum performance.
- Clean optic cells:
  - When dirt or dust adheres to the optic cells.
  - Whenever the dust bin is cleaned.
- To clean the dirt sensor optics, remove extension hose at the suction inlet.
- With the hose removed you can insert a cloth into the suction inlet opening.
- Wipe the optic cells with a soft, dry cloth.
- Never use cleaners or liquids as they can help speed the recoating of the optic cells and make it necessary to clean them much sooner than normal.

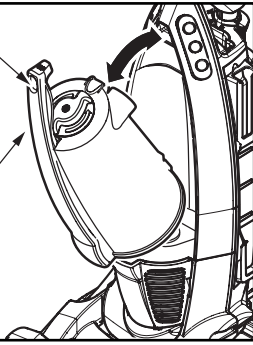
## Dust Bin Cleaning

### Dust Bin Latch

Loquet du bac à poussière  
Cerrojo de cubo de basura

### Dust Bin Handle

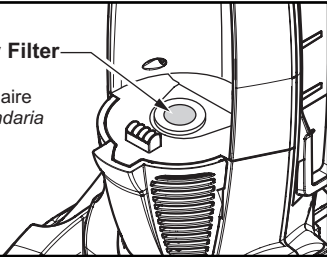
Poignée du bac à poussière  
Agarradera de cubo de basura



- Always empty the dust bin when dirt level reaches the “MAX” line.
- Grasp the handle on the top of the dust bin. Slide the dust bin latch down. Lift up and out to remove dust bin from vacuum cleaner.

### Secondary Filter Screen

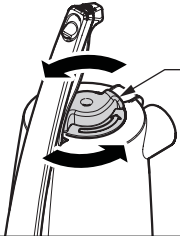
Filtre secondaire  
Malla secundaria



- Remove any clogs that might be located in the filter screen.

### Cleaning Knob

Molette de nettoyage  
Perilla limpiadora



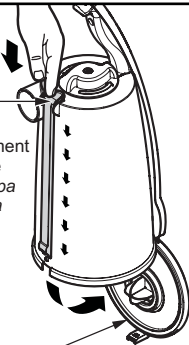
- Every time dust bin is removed, rotate cleaning knob on top of dust bin until filter is clean to maintain cleaning performance.

## ⚠ CAUTION

Be sure to hold the dust bin over a proper trash container prior to releasing the door of the dust bin.

### Dust Bin Lid Release

Levier de dégagement du bac à poussière  
Liberación de la tapa del cubo de basura



### Dust Bin Emptying Door

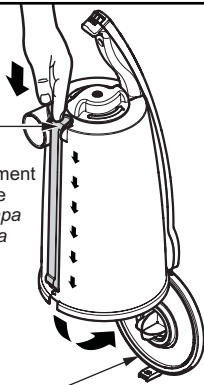
Rabat du bac à poussière  
Botón soltar puerta canasto del polvo

- Press dust bin lid release and the dust bin will open and the debris will fall out into a trash container.

## Filter Changing and Cleaning

**Dust Bin Lid Release**  
 Levier de dégagement du bac à poussière  
 Liberación de la tapa del cubo de basura

**Dust Bin Emptying Door**  
 Rabat du bac à poussière  
 Botón soltar puerta canasto del polvo



- Check primary filter frequently and clean when dirty.
- To remove primary filter, open dust bin lid assembly as outlined in the DUST BIN CLEANING section.
- While holding primary filter over a trash container grasp filter, rotate counter-clockwise and remove from filter support.
- Clean primary filter by gently tapping over a trash container. Tap on several sides to ensure best cleaning.
- Rinse with water only as needed, do not use any detergent or soap.
- Allow the filter to dry for 24 hours before putting it back into the vacuum cleaner.
- When cleaning the filter no longer restores vacuum cleaner suction to full power you need to replace the filter.

### TO REPLACE PRIMARY FILTER

- With slot side on filter towards the dust bin slide cleaning cam inside opening, rotate filter clockwise until slots lock onto tabs in dust bin.

**Note:** Under normal use and care, your filter can be expected to last up to 5 years.

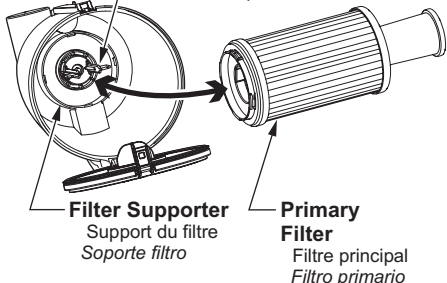
- After the dust bin is empty of debris, firmly close the door. Make sure you hear a “click” sound to indicate that the door is fully latched.

- Place dust bin back into vacuum cleaner by inserting the bottom first and tilting back.

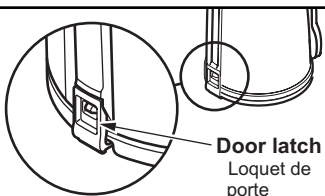
**Cleaning Cams**  
 Came de nettoyage  
 Levas limpieza

**Filter Supporter**  
 Support du filtre  
 Soporte filtro

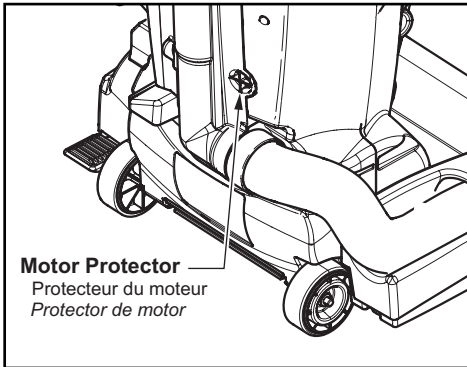
**Primary Filter**  
 Filtre principal  
 Filtro primario



**Door latch**  
 Loquet de porte  
 Picaporte puerta



## Motor Protector



- Automatically opens to provide cooling air to the motor when a clog occurs or when dust bin needs emptying.
- Motor protector may open when using tools.
- Check operation by placing hand over end of hose.
- If motor protector opens, the vacuum cleaner will make a slightly different sound.
- Do not block motor protector.

## ROUTINE CARE OF VACUUM CLEANER

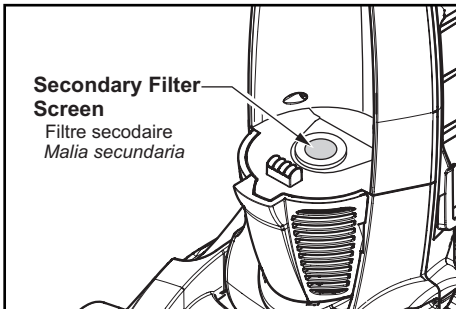
Performing the following tasks will keep your new Panasonic vacuum cleaner operating at peak performance levels and will ensure these high levels for years to come. Check the **BEFORE REQUESTING SERVICE** section in this manual for recommendations on performing some of these tasks to help solve various problems that may occur.



### **WARNING** Electrical Shock or Personal Injury Hazard

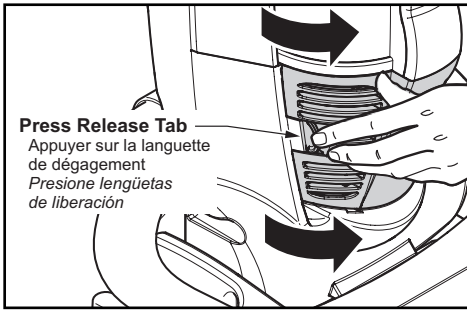
Disconnect the electrical supply before servicing or cleaning the vacuum cleaner. Failure to do so could result in electrical shock or personal injury from vacuum cleaner suddenly starting.

## Cleaning Secondary Filter Screen

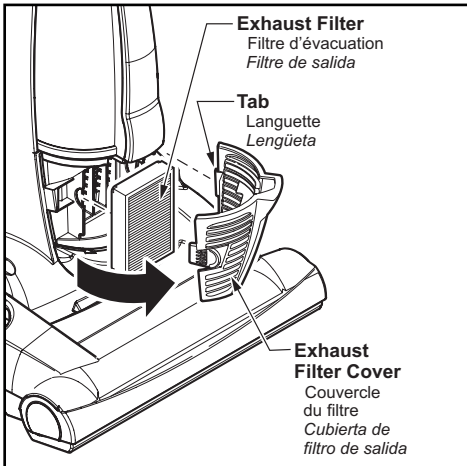


- The secondary filter screen protects the motor.
- Always check filter screen when cleaning dust bin.
- If dirty or clogged, remove debris from filter screen.

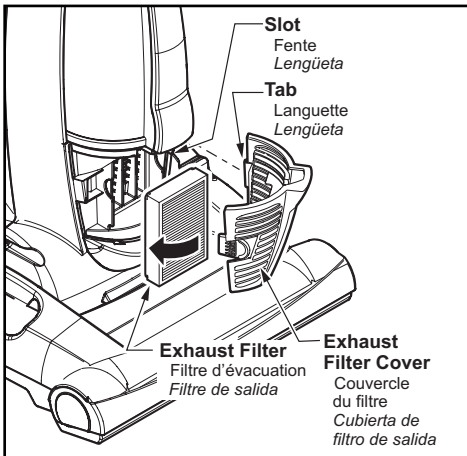
## Replacing HEPA Exhaust Filter



- The HEPA exhaust filter removes dirt from exhaust air.
- Check filter after emptying dust bin. Replace when dirty.
- To remove, press on release tab and rotate off.

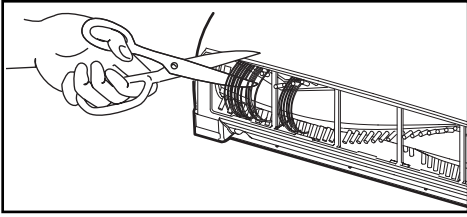


- Grasp the exhaust filter and pull out to remove.
- Ensure foam edge of the filter is facing towards the vacuum cleaner when placing filter into filter compartment.



- Reinstall exhaust filter cover by placing the tab on the cover into the slot on the body and snapping into place.
- \* Filter cannot be cleaned and should be replaced at least once each year.

## Cleaning Agitator



- Clean agitator after every five uses.
- Turn vacuum cleaner over, exposing the agitator.
- Cut off any carpet pile and lint entangled around agitator with a pair of scissors.

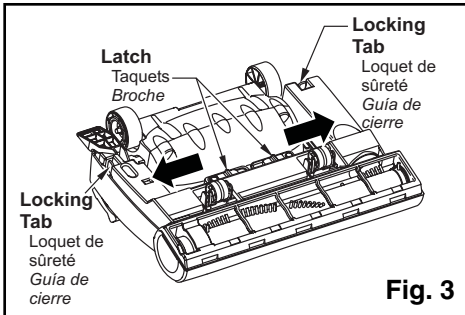
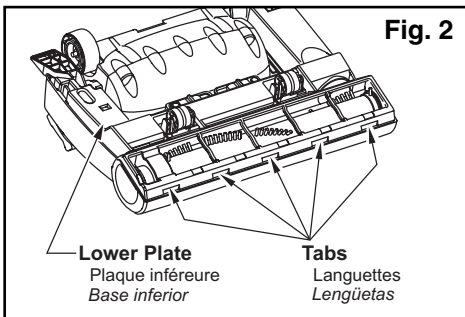
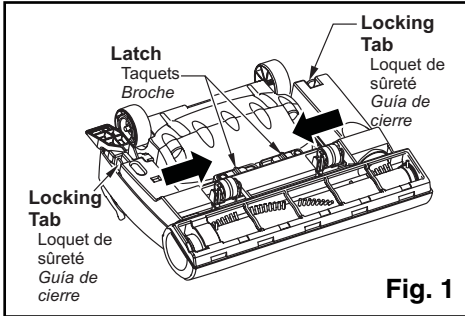
## Thermal Protector

- If a clog prevents the normal flow of air to the motor, the thermal protector turns the motor off automatically to allow the motor to cool in order to prevent possible damage to the vacuum cleaner.
- During this time the headlight remains on.
- To correct problem, turn off and unplug the vacuum cleaner, remove clogs and/or clean/replace filters.
- Empty dust bin if necessary.
- Wait approximately thirty (30) minutes, plug vacuum cleaner in, turn on to see if thermal protector has reset. Thermal protector will not reset if the vacuum cleaner is not unplugged even if vacuum cleaner cools down.

**! WARNING** Electrical Shock or Personal Injury Hazard

Disconnect the electrical supply before servicing or cleaning the vacuum cleaner. Failure to do so could result in electrical shock or personal injury from vacuum cleaner suddenly starting.

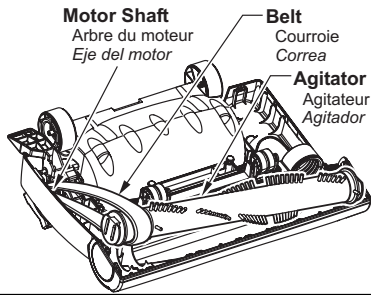
### Removing and Installing Lower Plate



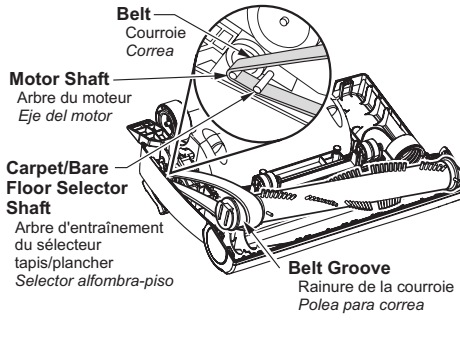
- **Before servicing any parts, disconnect vacuum cleaner from electrical outlet.**
- **Always place paper under nozzle whenever lower plate is removed to protect floor.**
- **Place body in upright position and turn vacuum cleaner over to expose lower plate.**
- **Release lower plate by pressing two (2) latches and two (2) locking tabs inward as shown. (Fig. 1)**
- **Remove lower plate and remove any residue that may exist in belt area.**
- **Reinstall lower plate by hooking front end of lower plate into slots on front of nozzle housing. (Fig. 2)**
- **Rotate lower plate until locking tabs snap into place then push the two (2) latches outward. (Fig. 3)**



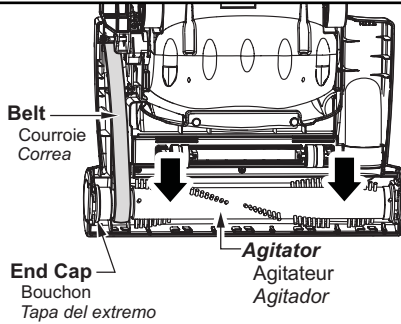
## Replacing Belt



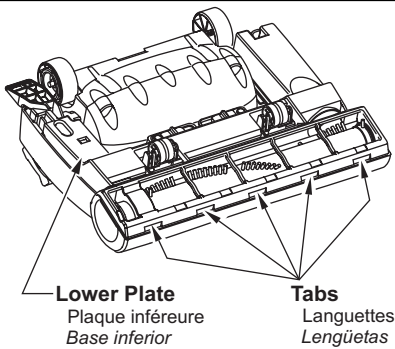
- Replace belt whenever a burning rubber smell caused by excessive slippage occurs.
- Place carpet-bare floor selector in CARPET position.
- Remove lower plate.



- Remove agitator by carefully lifting out.
- Remove worn or broken belt.
- Loop new belt (Panasonic Type UB8 only) around motor shaft and brush pulley; see illustration for correct belt routing.

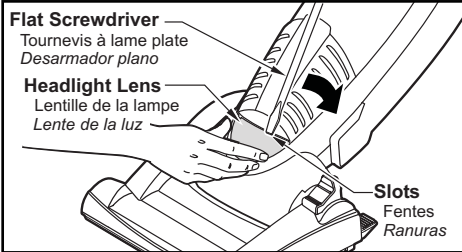


- Clean agitator and reinstall the two (2) end caps.
- Reinstall agitator back into nozzle housing grooves.
- After reinstalling the agitator, turn it by hand to make sure that belt is not twisted or pinched and that all rotating parts turn freely.

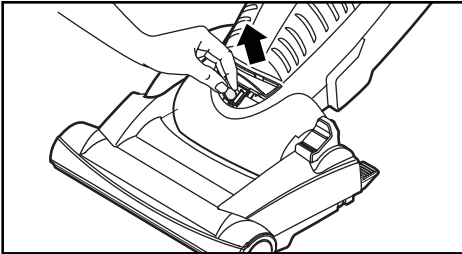


- Reinstall lower plate. Ensure tabs are locked into slots.

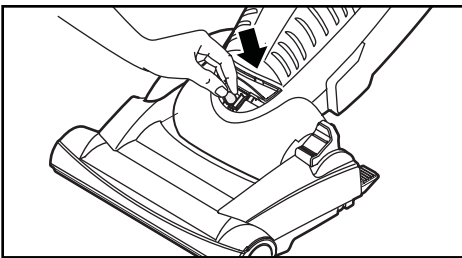
## Replacing Headlight Bulb



- Disconnect power cord from electrical outlet. Lower body to lay the vacuum cleaner flat.
- Pry out light lens at slots by inserting screwdriver into slot, pushing down on the lens and rotating the screwdriver handle toward unit.



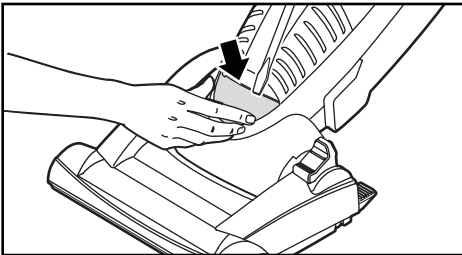
- Remove the light bulb by pulling straight out.



- To replace the light bulb carefully insert securely into slot. Replace lens cover.

### CAUTION

Do not use a bulb rated over 9W (13V). During extended use, heat from the bulb could overheat surrounding plastic parts.

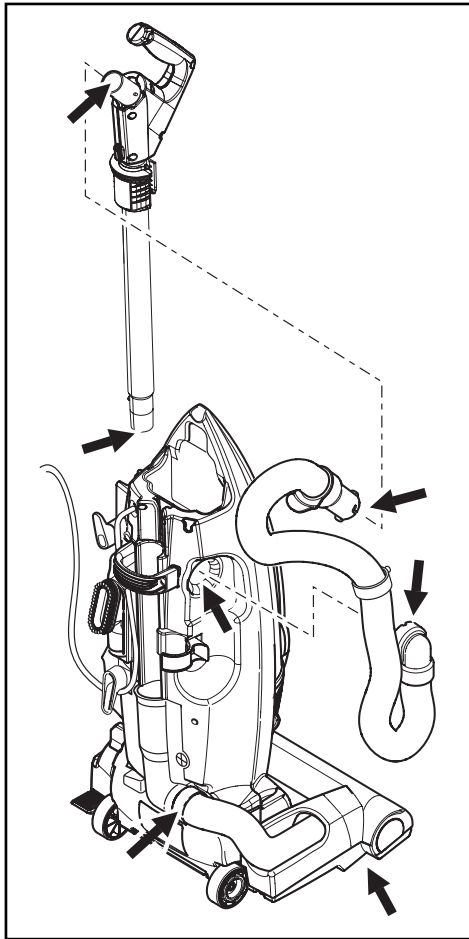


- Replace lens cover by inserting bottom tab of lens into slot then applying pressure to top tabs.
- A “popping” sound indicates lens is snapped properly in place.

## Cleaning Exterior and Tools

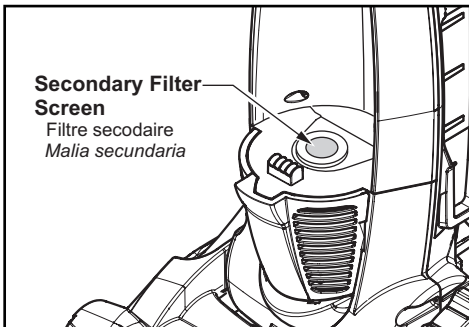
- Unplug cord from wall outlet.
- Clean exterior using a clean, soft cloth that has been dipped in a solution of mild liquid detergent and water and wrung dry.
- DO NOT drip water on the vacuum cleaner and wipe dry after cleaning.
- DO NOT clean tools in dishwasher or clothes washer.
- Wash tools in warm soapy water, rinse and air dry.
- DO NOT use tools if they are wet.

## Removing Clogs



If the vacuum cleaner does not seem to have adequate suction, first check if the dust bin is full or if a filter is clogged.

- Check the hose area.
- Remove extension hose by grasping the hose collar, twisting, and pulling straight off.
- Visually inspect the hose and the base area into which the hose is connected.
- Remove any visible clog.
- Re-connect the extension hose to the dust bin port assembly.
- Plug in the vacuum cleaner and turn it on.
- Stretch the hose to maximum length and then allow the hose to return to its storage length.
- Turn off and unplug the vacuum cleaner.



- Remove dust bin and check secondary filter screen for clogs.
- If the dust bin and filter areas and the hose areas are free of clogs, check the nozzle area.
- Return the vacuum cleaner to the upright position before plugging into an electrical outlet.

# BEFORE REQUESTING SERVICE

## **WARNING** Electrical Shock or Personal Injury Hazard

Disconnect the electrical supply before servicing or cleaning the vacuum cleaner. Failure to do so could result in electrical shock or personal injury from vacuum cleaner suddenly starting.

Review this chart to find do-it-yourself solutions for minor performance problems. Any service needed, other than those described in these Operating Instructions, should be performed by an authorized service representative.

PROBLEM	POSSIBLE CAUSE	POSSIBLE SOLUTION
<b>Vacuum Cleaner won't run.</b>	<ol style="list-style-type: none"> <li>1. Unplugged at wall outlet.</li> <li>2. Tripped circuit breaker/blown fuse at household service panel.</li> <li>3. Thermal protector tripped.</li> </ol>	<ol style="list-style-type: none"> <li>1. Plug in firmly, turn on vacuum cleaner.</li> <li>2. Reset circuit breaker or replace fuse.</li> <li>3. Unplug vacuum cleaner, allow to cool and thermal protector will reset itself.</li> </ol>
<b>Poor job of dirt pick-up.</b>	<ol style="list-style-type: none"> <li>1. Full or clogged dust bin.</li> <li>2. Worn agitator.</li> <li>3. Clogged nozzle.</li> <li>4. Clogged hose.</li> <li>5. Hole in hose.</li> <li>6. Hose not inserted fully</li> <li>7. Motor protection system activated.</li> <li>8. Dirty filters.</li> </ol>	<ol style="list-style-type: none"> <li>1. Empty dust bin.</li> <li>2. Take to your nearest Panasonic Service Center.</li> <li>3. Check for clogs.</li> <li>4. Check for clogs.</li> <li>5. Take to your nearest Panasonic Service Center.</li> <li>6. Check hose connection</li> <li>7. Check for clogs.</li> <li>8. Change primary filter and exhaust filter.</li> </ol>
<b>Light won't work.</b>	<ol style="list-style-type: none"> <li>1. Burned out light bulb.</li> </ol>	<ol style="list-style-type: none"> <li>1. Change light bulb.</li> </ol>
<b>Agitator does not turn.</b>	<ol style="list-style-type: none"> <li>1. Carpet/Bare floor selector in Bare Floor</li> <li>2. Broken belt.</li> </ol>	<ol style="list-style-type: none"> <li>1. Move selector to the Carpet position.</li> <li>2. Replace belt.</li> </ol>
<b>Air flow restricted with attachment use. Sound changes.</b>	<ol style="list-style-type: none"> <li>1. Attachment use restricts air flow.</li> <li>2. New carpet fuzz clogged air path.</li> </ol>	<ol style="list-style-type: none"> <li>1. See <b>ATTACHMENTS</b>.</li> <li>2. See <b>CLOG REMOVAL</b> and clean hose.</li> </ol>
<b>Dirt Sensor will not work.</b>	<ol style="list-style-type: none"> <li>1. Dirty optic cells.</li> </ol>	<ol style="list-style-type: none"> <li>1. Clean optic cells.</li> </ol>

# WARRANTY

## Panasonic Vacuum Cleaner Limited Warranty (United States)

Panasonic Consumer Electronics Company (collectively referred to as "the warrantor") will repair this product with new or refurbished parts free of charge, in the U.S.A. or Puerto Rico for one (1) year from the date of original purchase in the event of a defect in materials or workmanship.

**This Limited Warranty Excludes both Labor and Parts for the following items which require normal replacement:** Disposable Dust Bag, Filters, Belts, Light Bulbs, Agitator Brushes and Batteries (if supplied).

Carry-in or mail-in service in the U.S.A. can be obtained during the warranty period by contacting a Panasonic Services Company (PASC) Factory Servicenter listed in the Servicenter Directory. Or call, toll free, 1-800-211-PANA (7262) to locate a PASC Authorized Servicenter. Carry-in or mail-in service in Puerto Rico can be obtained during the warranty period by calling the local Panasonic Sales Company telephone number listed in the Servicenter Directory.

This warranty is extended only to the original purchaser. A purchase receipt or other proof of date of original purchase will be required before warranty performance is rendered.

This warranty only covers failures due to defects in materials and workmanship which occur during normal use and does not cover damages which occur in shipment, or failures which are caused by products not supplied by the warrantor, or failures which result from accident, misuse, abuse, neglect, mishandling, misapplication, faulty installation, improper operation or maintenance, alteration, modification, power line surge, improper voltage supply, lightning damage, commercial use such as hotel, office, restaurant or other business or rental use of the product, or service by anyone other than a PASC Authorized Servicenter, or damage that is attributable to acts of God.

### **LIMITS AND EXCLUSIONS:**

There are no express warranties except as listed above.

THE WARRANTOR SHALL NOT BE LIABLE FOR INCIDENTAL OR CONSEQUENTIAL DAMAGES RESULTING FROM THE USE OF THIS PRODUCT, OR ARISING OUT OF ANY BREACH OF THIS WARRANTY. ALL EXPRESS AND IMPLIED WARRANTIES, INCLUDING THE WARRANTIES OF MERCHANTABILITY AND FITNESS FOR A PARTICULAR PURPOSE, ARE LIMITED TO THE APPLICABLE WARRANTY PERIOD SET FORTH ABOVE.

Some states do not allow the exclusion or limitation of incidental or consequential damages, or limitations on how long an implied warranty lasts, so the above exclusions or limitations may not apply to you.

This warranty gives you specific legal rights and you may also have other rights which vary from state to state. If a problem with this product develops during or after the warranty period, you may contact your dealer or Servicenter. If the problem is not handled to your satisfaction, then write to the Consumer Affairs Department at the listed address on the back cover.

# WARRANTY

**Panasonic Canada Inc.**

## PANASONIC PRODUCT - LIMITED WARRANTY

Panasonic Canada Inc. warrants this product to be free from defects in material and workmanship and agrees to remedy any such defect for a period as stated below from the date of original purchase.

### **Vacuum Cleaner - One (1) year, parts and labour**

In-home Service will be carried out only to locations accessible by roads and within 50 km of an authorized Panasonic service facility.

### **LIMITATIONS AND EXCLUSIONS**

This warranty does not apply to products purchased outside Canada or to any product which has been improperly installed, subjected to usage for which the product was not designed, misused or abused, damaged during shipping, or which has been altered or repaired in any way that affects the reliability or detracts from the performance, nor does it cover any product which is used commercially. Parts such as disposable dust bags, filters, belts, light bulbs and agitator brushes are also excluded from coverage under this warranty. A purchase receipt or other proof of date of original purchase is required before warranty service is performed.

**THIS EXPRESS, LIMITED WARRANTY IS IN LIEU OF ALL OTHER WARRANTIES, EXPRESS OR IMPLIED, INCLUDING ANY IMPLIED WARRANTIES OF MERCHANTABILITY AND FITNESS FOR A PARTICULAR PURPOSE. IN NO EVENT WILL PANASONIC CANADA INC. BE LIABLE FOR ANY SPECIAL, INDIRECT OR CONSEQUENTIAL DAMAGES.**

In certain instances, some jurisdictions do not allow the exclusion or limitation of incidental or consequential damages, or the exclusion of implied warranties, so the above limitations and exclusions may not be applicable.

### **WARRANTY SERVICE**

**FOR PRODUCT OPERATION ASSISTANCE**, please contact:

Our Customer Care Centre:	Telephone #:	(905) 624-5505
	1-800 #:	1-800-561-5505
	Fax #:	(905) 238-2360
	Email link:	"Contact Us" on <a href="http://www.panasonic.ca">www.panasonic.ca</a>

**FOR PRODUCT REPAIRS**, please locate your nearest Authorized Servicentre at [www.panasonic.ca](http://www.panasonic.ca) :

Link : "Servicentres™ locator" under "Customer support"

Panasonic Factory Service:

<b>Vancouver</b>	<b>Toronto</b>
Panasonic Canada Inc.	Panasonic Canada Inc.
12111 Riverside Way	5770 Ambler Drive
Richmond BC V6W 1K8	Mississauga ON L4W 2T3
Tel: (604) 278-4211	Tel: (905) 624-8447
Fax: (604) 278-5627	Fax: (905) 238-2418

### **IF YOU SHIP THE PRODUCT TO A SERVICENTRE**

Carefully pack and send prepaid, adequately insured and preferably in the original carton. Include details of the defect claimed, and proof of date of original purchase.

## WHAT TO DO WHEN SERVICE IS NEEDED

If your Panasonic Vacuum Cleaner needs service, look in the yellow pages of the telephone book under HOME APPLIANCE SERVICE for your nearest Panasonic Services Company ("PASC") Factory Servicenter, or PASC authorized Servicenter, or call, 1-800-211-PANA (7262) toll free to find a convenient servicenter. **DO NOT** send the product to the Executive or Regional Sales Offices. They are NOT equipped to make repairs.

If you ship the product

Carefully pack and send it prepaid, adequately insured and preferably in the original carton. Attach a postage-paid letter to the outside of the carton, which contains a description of your complaint. **DO NOT** send the product to the Executive or Regional Sales Offices. They are NOT equipped to make repairs.

PANASONIC CONSUMER ELECTRONICS COMPANY  
DIVISION OF PANASONIC CORPORATION OF NORTH AMERICA

One Panasonic Way  
Secaucus, New Jersey 07094  
World Wide Web Address  
<http://www.panasonic.com>

## What to do when service is needed Service après-vente (Canada)

### WARRANTY SERVICE

For product operation and information assistance, please contact your Dealer or our Customer Care Centre at:

Telephone #: (905) 624-5505 Fax #: (905) 238-2360 Web: [www.panasonic.ca](http://www.panasonic.ca)

For product repairs, please contact one of the following:

- Your Dealer who will inform you of an authorized Servicentre nearest you.
- Our Customer Care Centre at (905) 624-5505 or [www.panasonic.ca](http://www.panasonic.ca)
- A Panasonic Factory Servicentre listed on warranty page.

### RÉPARATION SOUS GARANTIE

*Pour de l'aide sur le fonctionnement de l'appareil ou pour toute demande d'information, veuillez contacter votre détaillant ou notre service à la clientèle au :*

*N° de téléphone : (905) 624-5505 N° de télécopieur : (905) 238-2360 Site Internet : [www.panasonic.ca](http://www.panasonic.ca)*

*Pour la réparation des appareils, veuillez consulter :*

- votre détaillant, lequel pourra vous renseigner sur le centre de service agréé le plus près de votre domicile ;
- notre service à la clientèle au (905) 624-5505 ou [www.panasonic.ca](http://www.panasonic.ca);
- un de nos centres de service indiqué sur la page de garantie.

## Quando necesita servicio

*Si su aspiradora Panasonic necesita servicio, busque el Centro de Servicio Panasonic o un Centro de Servicio PASC autorizado más cercano bajo "Servicio de Electrodomésticos" en las páginas amarillas de la guía de teléfonos o llame gratis al 1-800-211-PANA (7262) para encontrar un centro de servicio conveniente. **No mande el producto a las Executive o Regional Sales Offices. No están equipadas para arreglar estos productos.***

*Si manda el producto*

*Empaquete con cuidado en el cartón original si posible y mándelo prepagado y con seguro suficiente. Ponga una carta con sellos en la que describe su problema con el producto en el exterior del cartón. **No mande el producto a las Executive o Regional Sales Offices. No están equipadas para arreglar estos productos.***

PANAMEX COMPANY  
DIVISION OF PANASONIC CORPORATION OF NORTH AMERICA

One Panasonic Way  
Secaucus, New Jersey 07094  
World Wide Web Address  
<http://www.panasonic.com>

AC01ZCYZZ000  
C01ZCYZ00000

Printed in Mexico  
Imprimé au Mexique  
Impreso en Mexico