



OWNER'S MANUAL

**ARP-5010X, 5012X, 5012XH
PORTABLE AIR CONDITIONER**

ARP- 5010X, 5012X, 5012XH



***PORTABLE AIR CONDITIONER
ACONDICIONADOR DE AIRE PORTÁTIL***

Read and retain these instructions for future reference

**For any Customer Support needs, please choose
the Support tab on www.royalsovereign.com**

Royal Centurian Inc.

PORTABLE AIR CONDITIONER

Model ARP-5010X, 5012X, 5012XH

INTRODUCTION

Thank you for choosing Royal Sovereign to provide you and your family with all of the “Home Comfort” requirements for your home, apartment, or office. This Portable Air Conditioner can be set-up in just minutes and can be easily moved from room to room. It is a multi-functional room air comfort system that offers you Air Conditioning, Dehumidification and Air Circulation modes. This manual will provide you with valuable information necessary for the proper care and maintenance for your new appliance. Please take a few moments and read the instructions thoroughly. If properly maintained, your appliance will give you many years of troublefree operation.

CONTENTS

	Page
Precautions for use	4
Notes on operation and identification of parts	5
Installation instructions	6~7
Operation	8~9
Remote control	10~11
Maintenance	12
Troubleshooting	13
Specifications	14
Warranty	15
Contact information	16
Página en Español	17

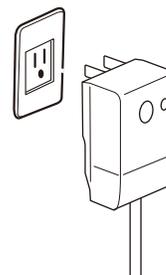


PRECAUTIONS FOR USE

Electrical Specifications and Power Cord

Check to ensure that the electrical service being used is adequate for the model you've chosen. The electrical rating of your new air conditioner is defined on the serial plate of the unit. Please refer to the rating when checking electrical requirements to ensure they meet the electrical codes of your location.

- Install the air conditioner according to the installation instructions supplied.
- Do not modify any part of this product.
- Do not insert any objects into the product or block the airflow in any way.
- Ensure that the power supply you use has an appropriate voltage rating.
- Only use a properly installed 3 pin, grounded AC socket that is rated 115V, 60Hz, 15 amps or more.
- If the electrical outlet you intend to use is not adequately grounded or protected by a time delay fuse or circuit breaker, you should have a qualified electrician install the proper outlet.
- This unit uses a plug with a built-in fuse. Conduct a Power Plug Check (see page 9) before use to confirm normal operation.
- Do not use this unit with any extension cords or adapter plugs.
- If the cord or plug is damaged in any way, please call the Royal Sovereign Service Department (see page 16.)
- Do not plug this cord into a loose electrical outlet.
- Turn the unit off and unplug, when cleaning the air conditioner, removing the filter or when the air conditioner will not be used for an extended time period.



General Use

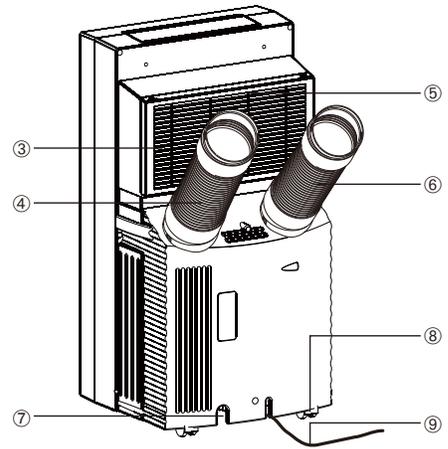
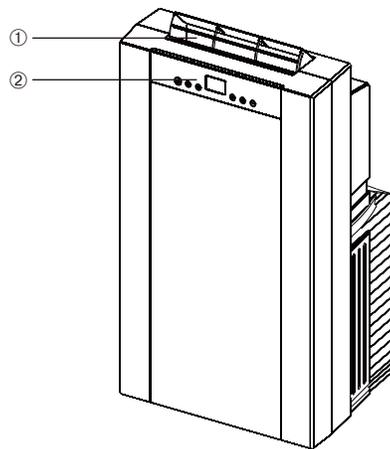
- Do not block air outlets or intake with obstacles.
- Do not insert any objects into the air conditioner.
- Do not splash or pour water on the housing or control panel.
- Do not place heavy items or sit on unit.
- Make sure the drainage plug is installed on bottom of machine.
- Drain the unit when moving the air conditioner or when storing the unit.

NOTES ON OPERATION

If you turn the air conditioner off and immediately restart it, allow 3 minutes for the compressor to restart cooling. In the event of a power failure, wait 3 minutes before restarting unit.

IDENTIFICATION OF PARTS

1. Air outlet
2. Display panel
3. Air intake (evaporator)
4. Air inlet hose
5. Air filter
6. Air outlet hose(heat exchange)
7. Water outlet drain
8. Caster
9. Power supply cord



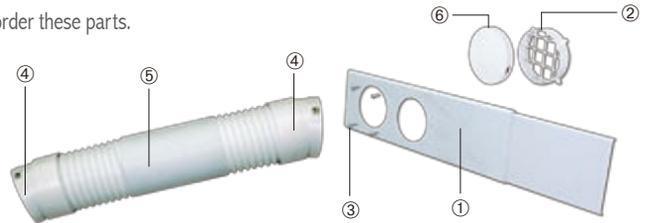


INSTALLATION

Unpack your New Portable Air Conditioner and let the machine stand upright for 2 hours before starting.
 Unpack all parts listed below. If any parts are missing do not return this product to the place of purchase.
 Please visit our website www.royalsovereign.com and click on the "Customer Support" tab and "Make a Request" to request missing parts or call 1-800-397-1025 and press option #4 to order these parts.

Accessories Include

- 1. Window slider kit..... 2 Set
- 2. Fixture..... 2 Piece
- 3. Screws..... 8 Pieces
- 4. Exhaust hose connector 4 Pieces
- 5. Exhaust hose 2 Piece
- 6. Cover..... 2 Piece



A. Exhaust Hose and Connector : Fig 1.

1. Attach the threaded nozzles of exhaust hose connector to the end of the exhaust hose by turning clockwise.
2. Repeat for other end.

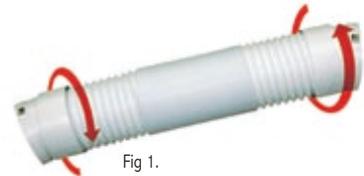


Fig 1.

B. Attach Hose Fixture : Fig 2.

1. Line up the screw holes on the hose fixture to the front of the window slider kit.
2. Using the 8 screws provided, attach the hose fixtures to the window panel of the slider kit.

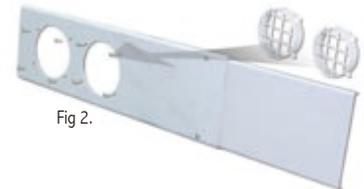
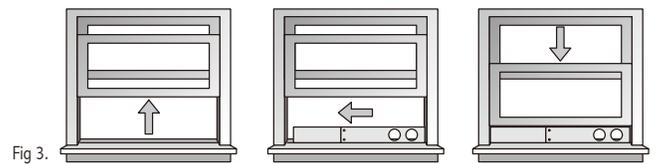


Fig 2.

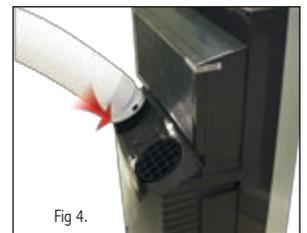
C. Install the Window Slider Kit : Fig 3.

1. Open the window and place the window slider kit on the inside edge of the window.
2. Adjust the window slider by adjusting it to the width of the window.
3. Close the window to secure.
4. Tighten the four screws to lock the window slider in place.



D. Connecting the Exhaust Hose to the PAC : Fig 4.

1. Connect the hose connector to the air outlet by aligning the tabs on the hose to the PAC and snap it into place.
2. Repeat for other hose.



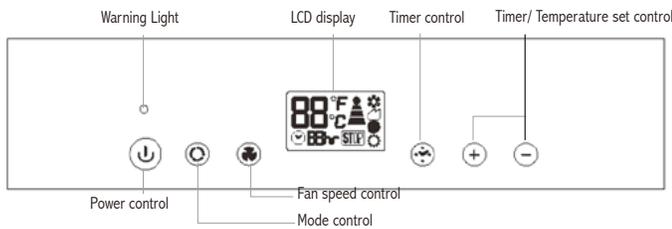
E. Connect the Exhaust Hose to Window Slider Kit : Fig 5.

1. Move the Portable Air Conditioner within 4 feet of the window.
2. Extend hose to desired length by pulling open.
3. Align the tabs on the hose and the window panel fixture and snap them into place.



OPERATION

Control Panel



Indication Symbols on LCD Display

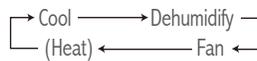
- Cooling mode
- Dehumidify mode
- Fan only mode
- Heating mode (only ARP-5012XH)
- Display set temperature
- Warning light the machine will stop running
- Display timer setting of auto switch on/off
- High fan speed
- Med fan speed
- Low fan speed

Power Control

The power control turns the unit on and off. When you press the control button, the unit begins to operate.

Mode Control

The Mode Control has 3 settings (4 settings on 5012XH).



Cool Mode

Press the Mode button to select the Cool mode. When in Cool mode the symbol will show on the display. During operation, the unit displays “present room temperature”. The temperature range settings are between 60~89°F

- A. In Cool mode, use the “+” or “-” button to adjust and set the desired temperature for the room. After 10 seconds the display will return back to the current room temperature.
- B. To choose between Celsius and Fahrenheit readings, press the “+” and “-” buttons at the same time for 3 seconds.

Note: The two air exchange hoses must be vented through window kit when in this mode.

Dehumidify Mode

Press the Mode button to select Dehumidify mode. When in Dehumidify mode the symbol will appear on the display. When the dehumidify mode is on, the temperature buttons do not function. The fan speed can be adjusted only if the temperature in the room is higher than 77° F. If it is below this temperature, the fan speed is automatically fixed to “low” and cannot be adjusted. When the humidity in the room is 50% or lower, the compressor will not run and the unit will not dehumidify.

NOTE: The exhaust hose must be connected to remove the humidity.

Fan Mode

Press the Mode button to select Fan mode. When in the Fan mode, the symbol will appear. The air is circulated throughout the room with no cooling.

Heat Mode (only ARP-5012XH)

Press the Mode button to select Heat mode. When in Heat mode the  symbol will show on the display. During operation, the unit displays “present room temperature”. Heating is only activated when the temperature in the room is below 81°F. The temperature setting can be adjusted between 61 and 81° F.

- A. In Heat mode, use the “+” or “-” button to adjust and set the desired temperature for the room. After 10 seconds the display will return back to the current room temperature.
- B. To choose between Celsius and Fahrenheit readings, press the “+” and “-” buttons at the same time for 3 seconds.

Note: The two air exchange hoses must be vented through window kit when in this mode.

Fan Speed Control

The Fan mode has 3 settings and will symbol in the display High  Medium  and Low 

Note: The air will be circulated without cooling and the unit does not have to be vented for this mode.

Timer

There are 2 different timer programs. You can set the number of hours before the air conditioner automatically turns OFF or you can set the number of hours that will elapse before the unit turns ON.

When the air conditioner is turned off, you can choose to turn it on in one hour intervals.

1. Press the  button on the Control Panel to turn on the timer function.
2. Press the + or - buttons on the remote to set the desired hour.
3. The unit will turn on when the set time elapses.

When the air conditioner is turned on, you can choose to turn it off in one hour intervals.

1. Press the  button on the Control Panel to turn on the timer function.
2. Press the + or - buttons on the remote to set the desired hour.
3. The unit will turn off when the set time elapses.

Warning Light

Condensed water may accumulate in the unit. If the internal tank fills, the Warning Light will shine and the unit will not operate until the unit has been drained.

Automatic Restart:

In the event of a power failure: The settings will return to the previously set operating modes once the power is restored.

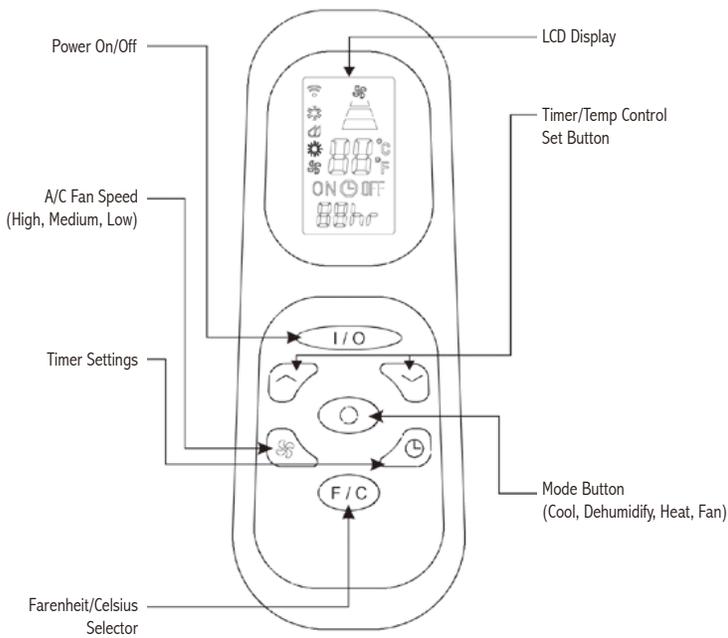
Power Plug Check

1. Press the RESET button.
2. Insert the power plug into the electrical outlet.
3. Press the TEST button. If the circuit breaker is working you'll hear a click.
4. Press the RESET button until you hear another click. The circuit breaker in the plug is now activated.
5. Do not use the air conditioner if the above procedure cannot be successfully performed.

After switching the air conditioner off, wait 3 minutes before switching it back on again.

Remote Control

All functions can be accessed from the remote control.



Indication Symbols on LCD Display

- Cooling mode
- Dehumidify mode
- Fan only mode
- Heating mode (only ARP-5012XH)
- Display set temperature
- Warning light the machine will stop running
- Display timer setting of auto switch on/off
- High fan speed
- Med fan speed
- Low fan speed

Timer

There are 2 different timer programs. You can set the number of hours before the air conditioner automatically turns OFF or you can set the number of hours that will elapse before the unit turns ON.

When the air conditioner is turned off, you can choose to turn it on in one hour intervals.

1. Press the button on the Control Panel to turn on the timer function.
2. Press the or buttons on the remote to set the desired hour.
3. The unit will turn on when the set time elapses.

When the air conditioner is turned on, you can choose to turn it off in one hour intervals.

1. Press the button on the Control Panel to turn on the timer function.
2. Press the or buttons on the remote to set the desired hour.
3. The unit will turn off when the set time elapses.

Remote Control Operation

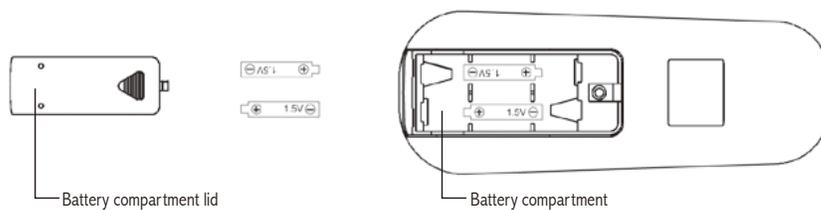
- The remote control uses two AAA (IEC R0# 1.5V) batteries which have been included for your convenience.
- Remove the battery cover on back of the remote.
- Insert the batteries, making sure the (+) and (-) polarity is aligned correctly.
- Replace the battery cover.

Notes:

- When replacing batteries, always change both batteries at the same time.
- Remove the batteries if the remote control is not used for a month or longer.
- Do not dispose of batteries in a fire.

Battery replacement

Remove the cover on the back of the remote control and insert the batteries with (+) and (-) poles pointing in the proper direction.





MAINTENANCE

Drainage

Occasionally, you may need to drain the unit.

1. Drain the unit if the Warning Light on the display panel of the air conditioner is on.
2. Turn off the power to the unit and unplug.
3. Place a shallow dish under the drainage plug to collect water.
4. Remove the drainage plug.
5. Replace the plug, when drainage water stops flowing.

Cleaning the filter

The filter should be cleaned every 2 weeks or 100 hours of use in order to maintain proper airflow.

1. Remove the filter. Gently pull the filter assembly from the back of the unit and then remove the filter from the assembly.
2. Clean the filter by vacuuming or a soft cloth. If the filter is very dirty, it can be easily washed with a mild detergent and rinsed thoroughly with clean water. Dry the filter before replacement.
3. Reinstall the filter in the filter assembly.
4. Replace the filter assembly on the back of the machine.

Note : Never operate the air conditioner without the filter in place. This may damage the unit.

Cleaning and maintaining the air conditioner

Turn the air conditioner off and remove the electrical plug. Wipe with a soft, dry, or damp cloth. A mild detergent can be used. Be sure to remove any residue and dry completely. Do not use harsh chemicals, abrasive cleaners or volatile substance (such as gasoline). Avoid splashing water on the air conditioner as this can seriously damage the unit.

Storing the air conditioner

If the unit will not be used for a long time, be sure to drain the air conditioner, clean the air filter, pull out the power supply plug, and remove the batteries from the remote control before storage. After draining, keep the air conditioner running on FAN mode for at least 8 hours to dry the unit completely to prevent mold.

TROUBLESHOOTING

Problem	Possible Reasons
Air Conditioner does not operate	<ul style="list-style-type: none"> - Check and reset the power plug. Wait 3 minutes and try to run the unit again. - The batteries in the remote may need to be replaced. Replace the batteries and try to run the unit again. - Make sure the plug is properly plugged into the outlet. - The set temperature may be too close to room temperature. Lower the set temperature. - The air outlet may be blocked. Check the air outlet and remove any items that may be found.
Air Conditioner runs but does not cool	<ul style="list-style-type: none"> - Check the room for open doors or windows and close them. - There may be another appliance in the room giving off heat. Check the room and turn off the appliance. - The air filter may be dirty. Check the filter and clean if necessary. - The air exhaust or intake may be blocked. - The set temperature may be too high. Check the set temperature and reduce it if necessary.
Air Conditioner does not run and water full indicator is lit	<ul style="list-style-type: none"> - There may be excess water in the unit. Drain the unit.



SPECIFICATIONS

- Figures noted in the contents are for reference only; variation may result due to the application in different countries or regions, and shall be based on practical operation.

Description of product	Air Conditioner			
	ARP-5010X	ARP-5012X	ARP-5012XH	
Model			Cooling	Heating
Voltage/Frequency	AC 115V~60Hz			
Input power	950W	1200W	1000W	1200W
Current	8.7A	10.5A	10.5A	8.5A
Cooling Capacity	10,000BTU/hr	12,000BTU/hr	12,000BTU/hr	
Dehumidifying Capacity	3.8 pints/hour	4.2 pints/hour	4.2 pints/hour	
Coolant	R-22			
Timer	24 hour			
Dimension (w) X (h) x (d)	18.9 x 15.7 x 35.4 inches			
Weight	79lbs	79lbs	83lbs	

"Electrical waste products should not be disposed of with household waste.
Please recycle where facilities exist. Check with your local authority or retailer for recycling advice."



FULL ONE YEAR WARRANTY

Royal Sovereign warrants each Portable Air Conditioner to be free from defects in material and workmanship. Our obligation under this warranty is limited to the repair or replacement, free of charge, when delivered to an authorized Royal Sovereign service center, of any defective part(s) thereof, other than parts damaged in transit. This warranty is in effect to the original purchaser, for a period of one year from the date of purchase and is not transferable. This warranty shall apply only if the air conditioner is used on Alternating Current (AC) circuit, in accordance with the factory provided instructions which accompany it.

LIMITED FIVE YEAR WARRANTY (COMPRESSOR)

For a period of five years from the date of purchase, when this Royal Sovereign Portable Air Conditioner is operated and maintained according to the instruction manual provided with the product, Royal Sovereign will supply a replacement compressor (parts only), free of charge, if the original compressor is determined to be defective in workmanship or material. If repair becomes necessary, please contact our customer service center. You will be responsible for all freight, insurance, and any other transportation charges to get the unit to our factory or service center. If shipping is required, be sure to pack the unit properly to avoid shipping damages, as we will not be responsible for such damages.

EXCLUSIONS

This warranty excludes and does not cover defects, malfunctions or failures of your Royal Sovereign Portable Air Conditioner, caused by repairs by unauthorized persons or service centers, mishandling, improper installation, modification or unreasonable use including incorrect voltage, acts of God, or failure to provide reasonable and necessary maintenance. This warranty is in lieu of any and all expressed warranties. In no event shall Royal Sovereign be liable for consequential or incidental damages. This limitation would not apply if you live in a location that does not permit the exclusion of limitation of incidental or consequential damages. This warranty gives you specific legal rights and you may also have other rights which vary from state to state.



ROYAL SOVEREIGN INTERNATIONAL, INC.

2 Volvo Drive Rockleigh, NJ 07647 USA
TEL : +1) 800-397-1025 FAX : +1) 201-750-1022

ROYAL SOVEREIGN INC.

1001, World Meridian II, 426-5, Gasan-dong, Geumcheon-gu, Seoul, 153-759, KOREA
TEL : +82)2-2025-8800 FAX : +82)2-2025-8830

RS INTERNATIONAL AUSTRALIA PTY. LTD.

30 Prime Drive, Seven Hills, NSW 2147, AUSTRALIA
TEL : +61) 2-9674-2127 FAX : +61) 2-9674-2027

RS CANADA INC.

164 Oakdale Road, Toronto, Ontario M3N 2S5 CANADA
TEL : +1) 416-741-8400 FAX : +1) 416-741-8185

RS Holland B.V.

Industrieweg 6K, 4104AR, Culemborg, The Netherlands
Tel: +31 (0)345 473 097 Fax: 31 (0)345 519 811

Royal Sovereign Mexico, S.A. de C.V.

24 de Abril de 1860 No. 8 Col. Leyes de Reforma Mexico D.F. C.P. 09310
Tel.: +52) 55-5600-0757, 55-5600-7848 Fax: +52) 55-5600-0748

Español



MANUAL DEL PROPIETARIO

ARP-5010X, 5012X, 5012XH
ACONDICIONADOR DE AIRE PORTÁTIL

ARP- 5010X, 5012X, 5012XH



ACONDICIONADOR DE AIRE PORTÁTIL

Lea y guarde estas instrucciones para referencia en el futuro.

***Para Servicio al Cliente por favor dirijase a nuestra página web
www.royalsovereign.com y seleccione "Support Tab"***

Royal Centurian Inc.

ACONDICIONADOR DE AIRE PORTÁTIL

Modelo ARP-5010X, 5012X, 5012XH

INTRODUCCIÓN

Gracias por escoger Royal Sovereign para proveerle a usted y a su familia lo requerido para tener esa “Comodidad de Hogar” en su casa, departamento u oficina. Este acondicionador de aire portátil puede ser instalado en sólo minutos y fácilmente transportado de habitación a habitación. Es un sistema de cómoda ventilación multi-funcional que le ofrece modos de Aire Acondicionado, Deshumecedor y Circulación de Aire. Este manual le proveerá con la información valuable y necesaria para el cuidado apropiado y mantenimiento de su nuevo electrodoméstico. Por favor, tome un momento y lea las instrucciones por completo. Si se mantiene apropiadamente, su electrodoméstico le dará muchos años de operación libre de problemas.

CONTENIDO

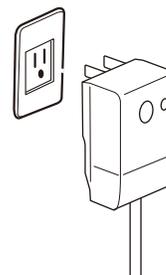
	Página
Precauciones de Uso	20
Notas Sobre el Funcionamiento e Identificación de las Partes.....	21
Instrucciones para la Instalación	22~23
Funcionamiento.....	24~25
Control Remoto	26~27
Mantenimiento	28
Identificación y Solución de Problemas	29
Especificaciones.....	30
Garantía	31
Contactos	32

PRECAUCIONES DE USO

Especificaciones Eléctricas y Cable de Electricidad

Verifique que el servicio eléctrico en uso es el adecuado para el modelo que ha elegido. El voltaje eléctrico de su nuevo acondicionador de aire está descrito en la placa de serie de la unidad. Por favor, revise el voltaje eléctrico cuando verifique los requerimientos eléctricos para asegurarse de que correspondan a los códigos de electricidad de su localidad.

- Instale el acondicionador de aire de acuerdo a las instrucciones de instalación provistas.
- No modifique ninguna parte de este producto.
- No inserte ningún objeto dentro del producto o bloquee el flujo de aire de ninguna manera.
- Asegúrese de que el tomacorriente en uso tiene el voltaje correcto.
- Use solamente un tomacorriente de 3 tomas con conexión a tierra, de 115 voltios, 60Hz con índice de 15 amperios o más.
- Si el tomacorriente que va a usar no tiene conexión a tierra o está protegido por un circuito de fusibles con tiempo retardado, usted debe contactar a un electricista calificado para instalar el tomacorriente correcto.
- Esta unidad usa un enchufe con fusible incluido. Compruebe el enchufe (ver Pág. 9) antes de usar para confirmar el funcionamiento normal.
- No use esta unidad con ningún cable de extensión o enchufes adaptadores.
- Si el cable o el enchufe están dañados de cualquier forma, por favor llame al Departamento de Servicio de Royal Sovereign (ver Pág. 16).
- No enchufe este producto en un tomacorriente que esté suelto.
- Cuando vaya a limpiar el acondicionador de aire, remover el filtro o el acondicionador de aire no vaya a ser usado por un largo tiempo, apague la unidad y desenchúfela.



Uso General

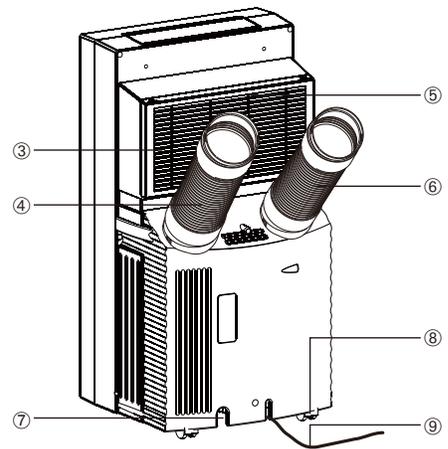
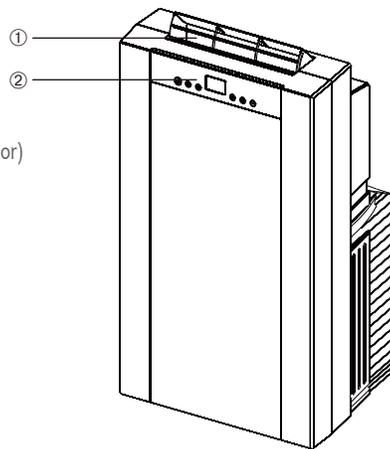
- No bloquee la entrada o salida de aire.
- No inserte objetos dentro del acondicionador de aire.
- No derrame o salpique agua en el panel de control o el exterior de la unidad.
- No ponga objetos pesados ni se siente en la unidad.
- Asegúrese de que el tapón de drenaje esté instalado debajo de la máquina.
- Drene la unidad antes de transportar o guardar el acondicionador de aire.

NOTAS SOBRE EL FUNCIONAMIENTO

Si usted apaga el acondicionador de aire y lo enciende de nuevo de inmediato, deje pasar 3 minutos para que el compresor reinicie el enfriado. En la eventualidad de que haya un corte de energía eléctrica, espere tres minutos antes de reiniciar la unidad.

IDENTIFICACIÓN DE LAS PARTES

1. Salida de Aire
2. Pantalla
3. Entrada de Aire (Evaporador)
4. Manguera de Entrada de Aire
5. Filtro de Aire
6. Manguera de Salida de Aire (Intercambio de Calor)
7. Salida Para el Drenaje de Agua
8. Ruedas
9. Cable de Electricidad



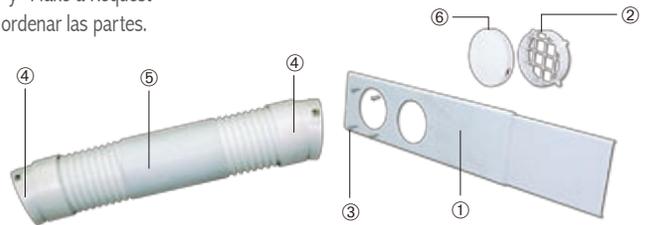
INSTALACIÓN

Desempaque su nuevo Acondicionador de Aire Portátil y deje que la máquina descansa en posición vertical por dos horas antes de prenderla. Desempaque todas las partes que se muestran en la lista a continuación. Si faltara alguna parte, no devuelva este producto al lugar de compra.

Por favor, visite nuestra página web www.royalsovereign.com y seleccione "Consumer Support" y "Make a Request" para ordenar las partes que faltan, o llame al 1-800-397-1025 y presione la opción #4 para ordenar las partes.

Accesorios Incluidos

- 1. Juego Corredizo para Ventana 2 juegos
- 2. Accesorio para Manguera 2 piezas
- 3. Tornillos 8 piezas
- 4. Conector de Manguera de Escape 4 piezas
- 5. Manguera de Escape 2 piezas
- 6. Cubierta 2 piezas



A. Manguera de Escape y Conector: Fig. 1.

1. Adjuntar la parte roscada de uno de los Conectores de Manguera (4) a uno de los extremos de la Manguera de Escape (5), girándolo hacia la derecha.
2. Repetir en el otro extremo.

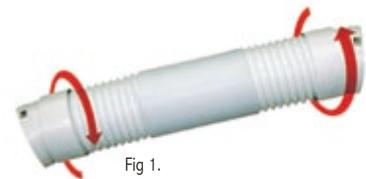


Fig 1.

B. Adjuntar el Accesorio para Manguera: Fig. 2.

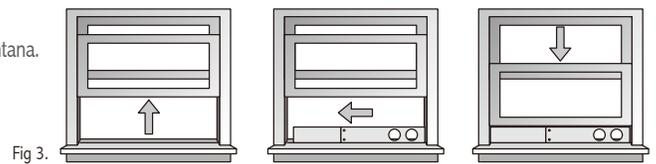
1. Alinee los orificios de los tornillos del Accesorio para Manguera (2) con el frente del Juego Corredizo para Ventana (1).
2. Usando los 4 tornillos provistos, adjunte el Accesorio Para Manguera (2) al Juego Corredizo para Ventana (1).



Fig 2.

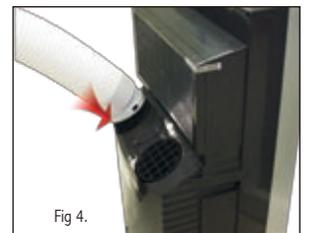
C. Instalar el Juego Corredizo para ventana: Fig. 3.

1. Abra la ventana y ponga el Juego Corredizo para Ventana (1) dentro de la orilla de la ventana.
2. Ajuste el Juego Corredizo ajustándolo al ancho de la ventana.
3. Cierre la ventana para asegurarlo.
4. Ajuste los dos tornillos para asegurar el Juego Corredizo en su lugar.



D. Conectando la Manguera de Escape al Acondicionador de Aire Portátil (AAP): Fig. 4.

1. Conecte el conector de la manguera alineando las uñetas de la manguera al AAP y presione hasta que quede en su lugar.



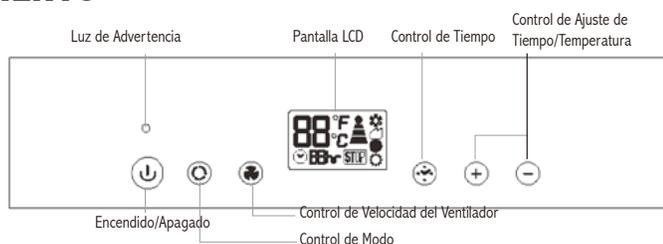
E. Conectar la Manguera de Escape al Juego Corredizo para Ventana: Fig. 5.

1. Acerque el Acondicionador de Aire Portátil a 4 pies de la ventana o menos.
2. Abra la manguera y estírela hasta la longitud necesaria.
3. Alinee las uñetas de la manguera con las del panel de ventana y presione hasta que quede en su lugar.



FUNCIONAMIENTO

Panel de Control



Símbolos Indicadores en la Pantalla LCD

- Modo Enfriar
- Modo Deshumedecer
- Modo Ventilador
- Modo Calentar (solo ARP-5012XH)
- Temperatura Establecida
- Luz Indicadora que la maquina dejará de funcionar
- Indicador de Tiempo de Encendido/Apagado Automático
- Velocidad del Ventilador Alta
- Velocidad del Ventilador Media
- Velocidad del Ventilador Baja

Botón de Encendido/Apagado

Este botón enciende y apaga la unidad. Cuando usted presiona este botón la unidad comienza a funcionar.

Control de Modo

El control de modo tiene 3 funciones (4 funciones en el modelo 5012XH) :

→ Cool (Enfriar)	→ Dehumidify (Deshumedecer)
(Heat)(Calentar) ←	Fan (Ventilador) ←

Modo Enfriar

Presione el botón de Control de Modo para seleccionar el modo Enfriar. Cuando la unidad está en modo Enfriar el símbolo e mostrará en la pantalla. Mientras está en funcionamiento, la unidad muestra la "Temperatura Actual de la Habitación". El rango de la temperatura varía entre 60 °F y 89 °F.

A. En modo Enfriar, use los botones "+" o "-" para establecer la temperatura deseada en la habitación. 10 segundos después el indicador regresará a mostrar la temperatura actual de la habitación.

B. Para escoger si la temperatura se mostrará en grados Celsius o Fahrenheit, presione los botones "+" y "-" al mismo tiempo por 3 segundos.

NOTA: Las dos mangueras de intercambio de aire deben estar conectadas al Juego de Ventana cuando la unidad opera en modo Enfriar.

Modo Deshumedecer

Presione el botón de Control de Modo para seleccionar el modo Deshumedecer. Cuando la unidad está en modo Deshumedecer, el símbolo aparecerá en la pantalla. Cuando el modo Deshumedecer está operando, los botones de temperatura dejan de funcionar. La velocidad del ventilador puede ajustarse solamente si la temperatura de la habitación es más alta que 77 °F. Si la temperatura está por debajo de 77 °F, la velocidad del ventilador se pondrá "Baja" y no se podrá cambiar. Cuando la humedad de la habitación sea de 50% o menos, el compresor dejará de funcionar y la unidad dejará de deshumedecer.

NOTA: la manguera de escape debe estar conectada para remover la humedad.

Modo Ventilador

Presione el botón de Control de Modo para seleccionar el modo Ventilador. Cuando el modo de ventilador es seleccionado el símbolo aparecerá en la pantalla. El aire de la habitación es circulado sin enfriarse.

Modo Calentar (solo ARP-5012XH)

Presione el botón de Control de Modo para seleccionar el Modo Calentar. Cuando el modo Calentar es seleccionado, el símbolo  aparecerá en la pantalla. Mientras está en funcionamiento, la unidad muestra la "Temperatura Actual de la Habitación". El modo Calentar solo puede ser activado cuando la temperatura de la habitación es menos que 81 °F. La temperatura puede ser establecida entre 61 °F y 81 °F.

A. En modo Calentar, use los botones "+" o "-" para establecer la temperatura deseada en la habitación. 10 segundos después el indicador regresará a mostrar la temperatura actual de la habitación.

B. Para escoger si la temperatura se mostrará en grados Celsius o Fahrenheit, presione los botones "+" y "-" al mismo tiempo por 3 segundos.

NOTA: Las dos mangueras de intercambio de aire deben estar conectadas al Juego de Ventana cuando la unidad opera en modo Enfríar.

Control de Velocidad del Ventilador

El ventilador tiene 3 velocidades que se mostrarán en la pantalla : Alta  Media  y Baja .

NOTA: El aire será circulado sin enfriarse y la unidad no tiene que estar ventilada a través de las mangueras de escape para operar en este modo.

Sincronizador

Hay dos formas de programar el sincronizador. Usted puede programar el número de horas hasta que el acondicionador de aire se apague automáticamente o el número de horas hasta que el acondicionador de aire se prenda automáticamente.

Cuando el acondicionador de aire está apagado, usted puede programarlo para que se prenda en intervalos de 1 hora.

1. Presione el botón  en el control remoto para activar la función de sincronizador.
2. Presione los botones de + o - hasta que se muestre el número de horas deseado.
3. El acondicionador de aire se prenderá cuando el número de horas indicado haya transcurrido.

Cuando el acondicionador de aire está prendido, usted puede programarlo para que se apague en intervalos de 1 hora.

1. Presione el botón  en el control remoto para activar la función de sincronizador.
2. Presione los botones de + o - hasta que se muestre el número de horas deseado.
3. El acondicionador de aire se apagará cuando el número de horas indicado haya transcurrido.

Luz de Advertencia

Puede acumularse agua dentro de la unidad. Si el tanque interno se llena, la luz de advertencia se prenderá y la unidad no funcionará hasta que la unidad haya sido drenada.

Reinicio Automático

En la eventualidad de un corte de energía eléctrica: la programación regresará a los modos establecidos previamente cuando la energía sea reestablecida.

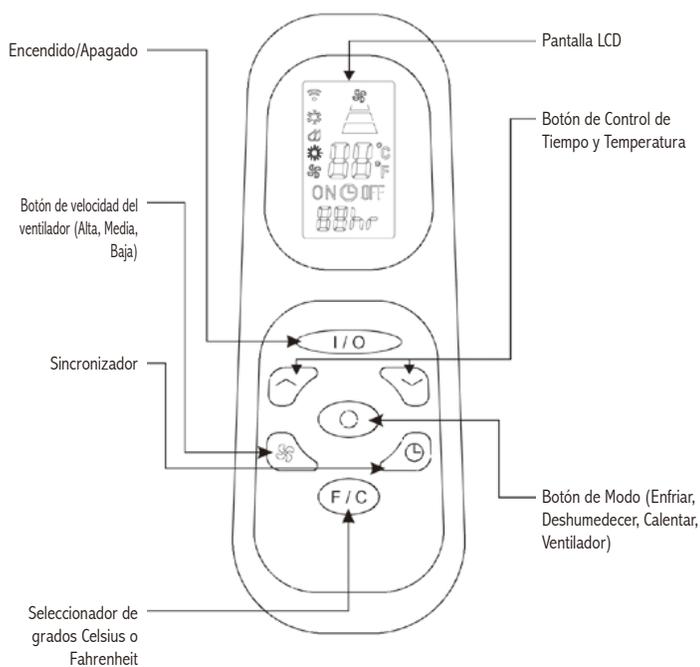
Comprobación del Enchufe

1. Presione el botón "RESET"
2. Inserte el enchufe en el tomacorriente.
3. Presione el botón "TEST". Si el circuito está funcionando usted oír un sonido de "clic."
4. Presione el botón de "RESET" hasta que escuche otro "clic". El circuito del enchufe ha sido activado.
5. No use el acondicionador de aire si este proceso no puede ser llevado a cabo.

Después de apagar el acondicionador de aire, espere 3 minutos para encenderlo de nuevo.

Control Remoto

Usted puede acceder a todas las funciones desde el control remoto.



Símbolos Indicadores en la Pantalla LCD

- Modo Enfriar
- Modo Deshumedecer
- Modo Ventilador
- Modo Calentar (solo ARP-5012XH)
- Temperatura Establecida
- Luz Indicadora que la maquina dejará de funcionar
- Indicador de Tiempo de Encendido/Apagado Automático
- Velocidad del Ventilador Alta
- Velocidad del Ventilador Media
- Velocidad del Ventilador Baja

Sincronizador

Hay dos formas de programar el sincronizador. Usted puede programar el número de horas hasta que el acondicionador de aire se apague automáticamente o el número de horas hasta que el acondicionador de aire se prenda automáticamente.

Cuando el acondicionador de aire está apagado, usted puede programarlo para que se prenda en intervalos de 1 hora.

1. Presione el botón en el control remoto para activar la función de sincronizador.
2. Presione los botones de o hasta que se muestre el número de horas deseado.
3. El acondicionador de aire se prenderá cuando el número de horas indicado haya transcurrido.

Cuando el acondicionador de aire está prendido, usted puede programarlo para que se apague en intervalos de 1 hora.

1. Presione el botón en el control remoto para activar la función de sincronizador.
2. Presione los botones de o hasta que se muestre el número de horas deseado.
3. El acondicionador de aire se apagará cuando el número de horas indicado haya transcurrido.

Funcionamiento del Control Remoto

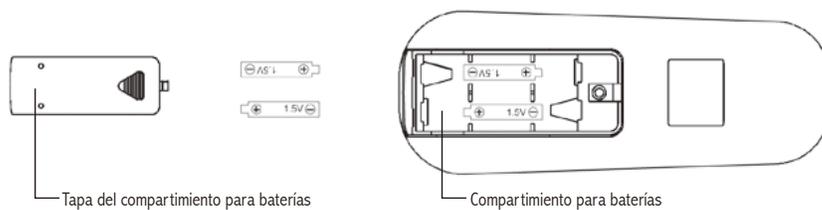
- El control remoto usa dos baterías tipo AAA (IEC RO# 1.5V) las cuales están incluidas para su conveniencia.
- Saque la tapa de las baterías en la parte de atrás del control remoto.
- Inserte las baterías asegurándose de que los polos (+) y (-) están alineados debidamente.
- Reponga la tapa.

Notas:

- Cuando reemplace las baterías, siempre cambie ambas baterías al mismo tiempo.
- Saque las baterías del Control Remoto si no lo va a usar por un mes o más.
- No bote las baterías usadas en el fuego.

Reemplazo de Baterías

Saque la tapa que cubre las baterías en la parte de atrás del control remoto e inserte las nuevas baterías asegurándose de mantener los polos (+) y (-) en la dirección correcta.





MANTENIMIENTO

Drenaje

Ocasionalmente, usted puede necesitar drenar la unidad.

1. Drene la unidad si la luz de advertencia de la pantalla del acondicionador de aire está prendida.
2. Apague la unidad y desenchúfela.
3. Ponga una bandeja debajo de la tapa de drenaje para recibir el agua.
4. Remueva la tapa de drenaje.
5. Cuando el agua drenada pare de fluir, reponga la tapa de drenaje.

Limpieza del Filtro

El filtro debe limpiarse cada dos semanas o 100 horas para mantener el flujo de aire apropiado.

1. Remueva el filtro. Cuidadosamente jale el ensamblaje del filtro desde la parte posterior de la unidad, y luego remueva el filtro del ensamblaje.
2. Limpie el filtro con una aspiradora o con un trapo suave. Si el filtro esta muy sucio, puede lavarlo fácilmente con detergente y enjuagarlo completamente con agua. Déjelo secar antes de reponerlo.
3. Reinstale el filtro en el ensamblaje.
4. Reponga el ensamblaje del filtro en la parte posterior de la maquina.

NOTA: Nunca haga funcionar el acondicionador de aire sin el filtro en su lugar. Podría dañarlo.

Limpiando y Manteniendo el Acondicionador de Aire

Apague el acondicionador de aire y desenchúfelo. Límpielo con un trapo suave, seco o mojado. Puede usar un detergente ligero. Asegúrese de limpiar cualquier residuo y secar la unidad completamente. No use químicos fuertes, limpiadores abrasivos o sustancias volátiles (como gasolina). Evite salpicar agua en el acondicionador de aire porque esto puede dañar la unidad seriamente.

Guardando el Acondicionador de Aire

Si no va a usar la unidad por un largo periodo de tiempo, asegúrese de drenarla, limpiar el filtro, desenchufarla y sacarle las baterías al control remoto antes de guardar el acondicionador de aire. Después de drenar, haga funcionar el acondicionador de aire en modo Ventilador por lo menos por 8 horas para secar la unidad completamente y prevenir la formación de moho.

IDENTIFICACIÓN Y SOLUCIÓN DE PROBLEMAS

Problema	Posible Solución
El acondicionador de aire no funciona	<ul style="list-style-type: none"> - Chequee y presione el botón "RESET" del enchufe. Espere 3 minutos y trate de encender la unidad nuevamente. - Las baterías del control remoto pueden necesitar ser reemplazadas. Reemplace las baterías e intente encender la unidad de nuevo. - Asegúrese de que el enchufe está conectado debidamente al tomacorriente. - La temperatura establecida puede estar casi a la misma temperatura de la habitación. Baje la temperatura establecida. - La salida de aire puede estar bloqueada. Chequee la salida de aire y remueva cualquier objeto.
El acondicionador de aire prende pero no enfría	<ul style="list-style-type: none"> - Verifique que todas las ventanas y puertas de la habitación estén cerradas. - Puede haber otro electrodoméstico en la habitación que está produciendo calor. Chequee la habitación y apague el otro electrodoméstico. - El filtro de aire puede estar sucio. Chequee el filtro y límpielo si es necesario. - La entrada o salida de aire puede estar bloqueada. - La temperatura establecida puede ser muy alta. Verifique la temperatura establecida y redúzcala si es necesario.
El acondicionador de aire no funciona y la luz indica que el tanque de agua está lleno.	<p>Puede haber demasiada agua en la unidad. Drene la unidad.</p>

ESPECIFICACIONES

- Las medidas que aparecen son solo para referencia, pueden haber variaciones debido a las diferencias entre países y regiones, y deben ser basadas en funcionamiento práctico.

Descripción del Producto	Acondicionador de Aire			
	ARP-5010X	ARP-5012X	ARP-5012XH	
Modelo	ARP-5010X	ARP-5012X	Cooling	Heating
Voltaje/Frecuencia	AC 115V~60Hz			
Entrada de Electricidad	950W	1200W	1000W	1200W
Corriente	8.7A	10.5A	10.5A	8.5A
Capacidad de Enfriamiento	10,000BTU/hr	12,000BTU/hr	12,000BTU/hr	
Capacidad de Deshumedecimiento	3.8 pints/hr	4.2 pints/hr	4.2 pints/hr	
Enfriador	R-22			
Control de Tiempo	24 horas			
Dimensiones (ancho) x (altura) x (profundidad)	18.9 x 15.7 x 35.4 pulgadas			
Peso	79libras	79libras	83libras	

“Los desperdicios eléctricos no deben botarse juntamente con la basura doméstica. Por favor, recicle cuando sea posible. Contacte a las autoridades locales por consejos referentes al reciclaje.”



GARANTÍA COMPLETA POR UN AÑO

Royal Sovereign garantiza que cada Acondicionador de Aire Portátil está libre de defectos en cuanto a materiales y fabricación. Nuestra obligación bajo esta garantía está limitada a la reparación o sustitución, sin costo, de cualquier parte(s) defectuosa(s) que no se haya dañado en el transporte, cuando el producto sea entregado a un Centro de Servicio de Royal Sovereign. Esta garantía cubre al comprador original por un año desde la fecha de compra y no es transferible. Esta garantía se aplica solo si el acondicionador de aire se usa en un circuito de Corriente Alterna, de acuerdo a las instrucciones de fábrica que acompañan al producto.

GARANTÍA LIMITADA POR CINCO AÑOS (COMPRESOR)

Por un periodo de cinco años desde la fecha de compra, siempre y cuando este Acondicionador de Aire Portátil Royal Sovereign sea operado y mantenido de acuerdo al manual de instrucciones provisto con el producto, Royal Sovereign suplirá un compresor de reemplazo (solamente la parte), sin costo, si se determina que el compresor original tiene una falla en cuanto a mano de obra o materiales. Si es necesaria la reparación, por favor contacte a nuestro centro de servicio al cliente. Usted será responsable por el envío, seguro y cualquier otro gasto de transporte para hacer llegar la unidad a nuestra fábrica o centro de servicio. Si es necesario el envío, asegúrese de empacar la unidad correctamente para evitar daños en el transporte, pues nosotros no seremos responsables por aquellos daños.

EXCLUSIONES

Esta garantía excluye y no cubre defectos, malfuncionamiento o fallas de su Acondicionador de Aire Portátil Royal Sovereign causadas por reparaciones hechas por personas o centros de servicio desautorizados, manejo inadecuado, instalación inapropiada, modificación o uso irrazonable de voltaje incorrecto, fuerzas de la naturaleza, o dejar de hacer el mantenimiento razonable y necesario. Esta garantía es en lugar de todas y cada una de las garantías expresas. En ninguna eventualidad Royal Sovereign será responsable por daños incidentales o consecuentes. Esta limitación no se aplica si usted vive en un lugar en donde no es permitida la limitación de daños incidentales o consecuentes. Esta garantía le da derechos legales específicos y usted puede tener otros derechos los cuales varían de estado a estado.



ROYAL SOVEREIGN INTERNATIONAL, INC.

2 Volvo Drive Rockleigh, NJ 07647 USA
TEL : +1) 800-397-1025 FAX : +1) 201-750-1022

ROYAL SOVEREIGN INC.

1001, World Meridian II, 426-5, Gasan-dong, Geumcheon-gu, Seoul, 153-759, KOREA
TEL : +82)2-2025-8800 FAX : +82)2-2025-8830

RS INTERNATIONAL AUSTRALIA PTY. LTD.

30 Prime Drive, Seven Hills, NSW 2147, AUSTRALIA
TEL : +61) 2-9674-2127 FAX : +61) 2-9674-2027

RS CANADA INC.

164 Oakdale Road, Toronto, Ontario M3N 2S5 CANADA
TEL : +1) 416-741-8400 FAX : +1) 416-741-8185

RS Holland B.V.

Industrieweg 6K, 4104AR, Culemborg, The Netherlands
Tel: +31 (0)345 473 097 Fax: 31 (0)345 519 811

Royal Sovereign Mexico, S.A. de C.V.

24 de Abril de 1860 No. 8 Col. Leyes de Reforma Mexico D.F. C.P. 09310
Tel.: +52) 55-5600-0757, 55-5600-7848 Fax: +52) 55-5600-0748