

Repair Parts List

MODEL NUMBER

A8740

WASHER

When requesting service or ordering parts, always provide the following information:

- Product Type
- Part Number
- Model Number
- Part Description

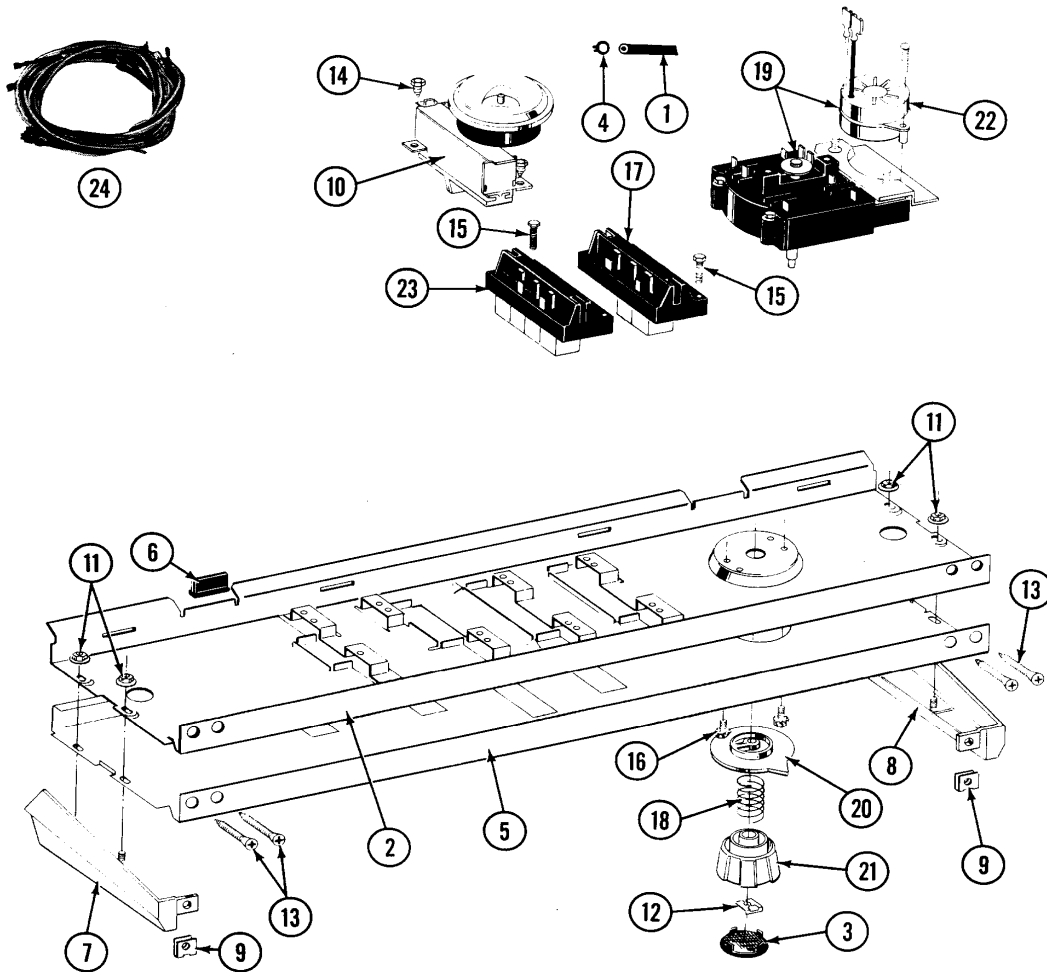
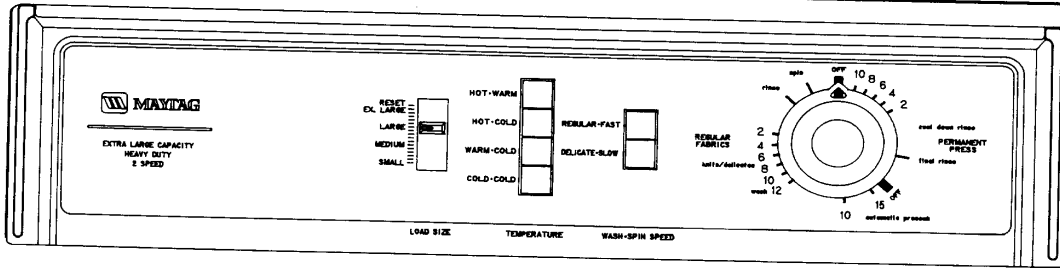
MAYTAG®

©2005 Maytag Services

Section: CONTROL PANEL

Model: A8740

SECTION: CONTROL PANEL
MODEL: A8700 A8740



Issue Date: 4/90

Section: CONTROL PANEL

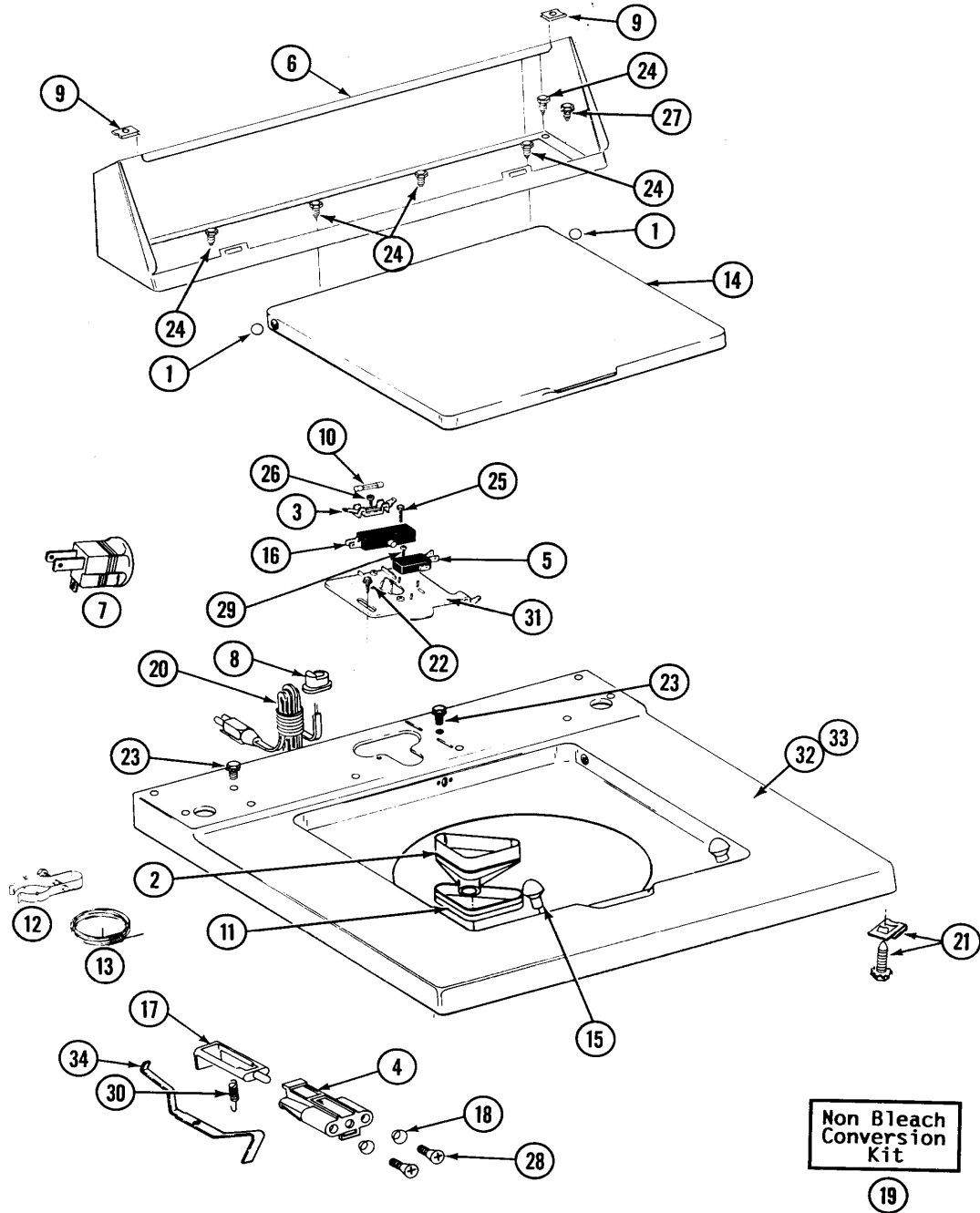
No.	Part No.	Description	Series	Qty
1	212942	AIR DOME AND TUBE Note: AIR DOME & TUBE	A0	1
2	214809	BACK UP PLATE Note: PLATE, BACK UP	A0	1
3	215821	CAP, KNOB	A0	1
4	410296	CLAMP,WATER LEVEL SWTCH TUBE Note: CORBIN CLAMP, AIR DOME TUBE	A0	1
5	N 207394	CONTROL PANEL Note: PANEL, CONTROL	A0	1
6	N 214897	PAD, CONTROL PANEL	A0	2
7	207215	END CAP LH Note: END CAP (LH)	A0	1
8	207216	END CAP RH Note: END CAP (RH)	A0	1
9	214894	FASTENER, END CAP	A0	2
10	207360	INFINITE LEVEL PRESS SWITCH Note: SWITCH, INFINITE LVL PRESSURE	A0	1
11	214872	PALNUT, END CAP	A0	4
12	211605	RETAINER, TIMER KNOB	A0	1
13	210932	SCREW, #8 X 9/16 CTSK Note: SCREW, CONTROL PANEL	A0	4
14	211168	SCREW, #8 X 5/16 INCH Note: SCREW, WATER LEVEL SWITCH	A0	2
15	213117	SCREW-TEMP. SWITCH TO PANEL Note: SCREW, SPEED CONTROL SWITCH	A0	4
16	213966	SCREW-TIMER TO CONTROL PANE Note: SCREW, TIMER	A0	2
17	207370	SPEED CONTROL SWITCH - 2 BUTTO Note: SWITCH, SPEED CONTROL (2 BUT)	A0	1
18	211065	SPRING, TIMER KNOB	A0	1
19	207373	TIMER	A0	1
20	215827	TIMER DIAL SKIRT Note: INDICATOR, TIMER DIAL	A0	1
21	215828	KNOB, TIMER (BLK) Note: KNOB, TIMER	A0	1
22	205033	TIMER MOTOR 120-60 Note: TIMER, MOTOR (120-60)	A0	1
23	207367	TEMP CONTROL SWITCH - 4 BUTTON Note: SWITCH, WATER TEMP. (4 BUT)	A0	1
24	N 207381	WIRE HARNESS Note: HARNESS, MAIN WIRE	A0	1

*Color Code (-)=Not Shown #=Series, Serial Prefix or Run No., N=Not Available

Section: TOP COVER, CONSOLE & LID SWITCH

Model: A8740

SECTION: TOP COVER, CONSOLE & LID SWITCH
MODEL: ALL MODELS



Issue Date: 4/90

Section: TOP COVER, CONSOLE & LID SWITCH

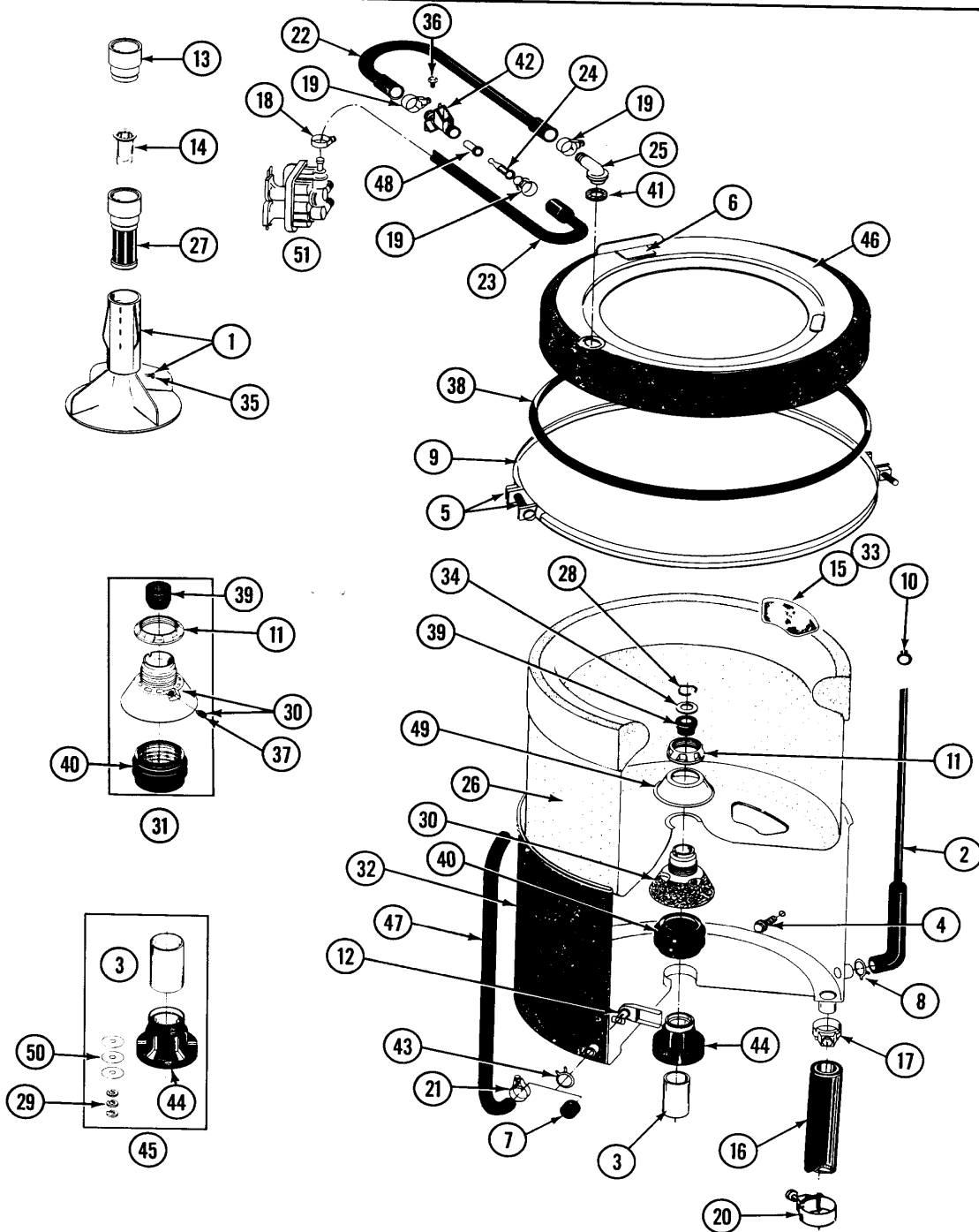
No.	Part No.	Description	Series	Qty
1	211726	HINGE, BALL	A0	2
2	215577	BLEACH INLET WHITE Note: BLEACH INLET (WHT)	A0	1
3	207167	BLOCK, FUSE	A0	1
4	N 216256	BRACKET, UNBALANCE Note: BRACKET, LID SWITCH PLUNGER	B8	1
4	214279	BRACKET F/LID SWITCH PLUNGE Note: BRACKET, LID SWITCH PLUNGER	A0	1
5	207166	SWITCH, CHECK	A0	1
6	N 205635	CONSOLE (WHT)	A0	1
7	N 201808	CONVERTER	A0	1
8	211881	GROMMET, CORD	A0	1
9	215075	FASTENER,CNTRL PNL TO CONSOLE Note: FASTENER, CONTROL PANEL	A0	2
10	207168	FUSE	A0	1
11	214436	GASKET	A0	1
12	301548	CLAMP, GROUND (W/SCREW)	A0	1
13	311155	GROUND WIRE	A0	1
14	212073	LID-WHITE Note: LID (WHT)	A0	1
15	212716	BUMPER, LID	A0	2
16	205415	SWITCH, LID (W/O TUB LIGHT)	A0	1
17	N 208591	KIT, PLUNGER & BRACKET	B8	1
17	N 215700	LID SWITCH PLUNGER Note: PLUNGER, LID SWITCH	A0	1
18	211500	WASHER,BRACKE TO TOP COVER Note: WASHER, BRACKET	A0	2
19	205997	NON-BLEACH CONVERSION KIT Note: KIT, NON-BLEACH CONVERSION	A0	1
20	204590	POWER CORD Note: CORD, POWER	A0	1
21	204445	SCREW & FASTENER ASY.	A0	2
22	207159	SCREW	A0	1
23	210186	SCREW, GROUND WIRE TO BASE--NA Note: SCREW, GROUND WIRE	A0	2
24	211294	SCREW	A0	5
25	213501	SCREW, #6-20 X 1-1/8 INCH Note: SCREW (#6-20 X 1-1/8 INCH)	A0	2
26	215705	SCREW	A0	1
27	313559	SCREW	A0	1
28	910182	SCREW	A0	2
29	912012	SCREW	A0	1
30	213720	SPRING	A0	1
31	215699	BRACKET,SWITCH & FUSE Note: BRACKET, SWITCH & FUSE	A0	1
32	N 207170	TOP COVER Note: TOP COVER ASSY. (BLEACH-WHT)	A0	1
34	215704	UNBALANCE LEVER Note: LEVER, UNBALANCE	A0	1

*Color Code (-)=Not Shown #=Series, Serial Prefix or Run No., N=Not Available

Section: TUB, AGITATOR, MOUNTING STEM & SEAL

Model: A8740

SECTION: TUB AGITATOR, MOUNTING STEM & SEAL
MODEL: ALL MODELS



Issue Date: 4/90

Section: TUB, AGITATOR, MOUNTING STEM & SEAL

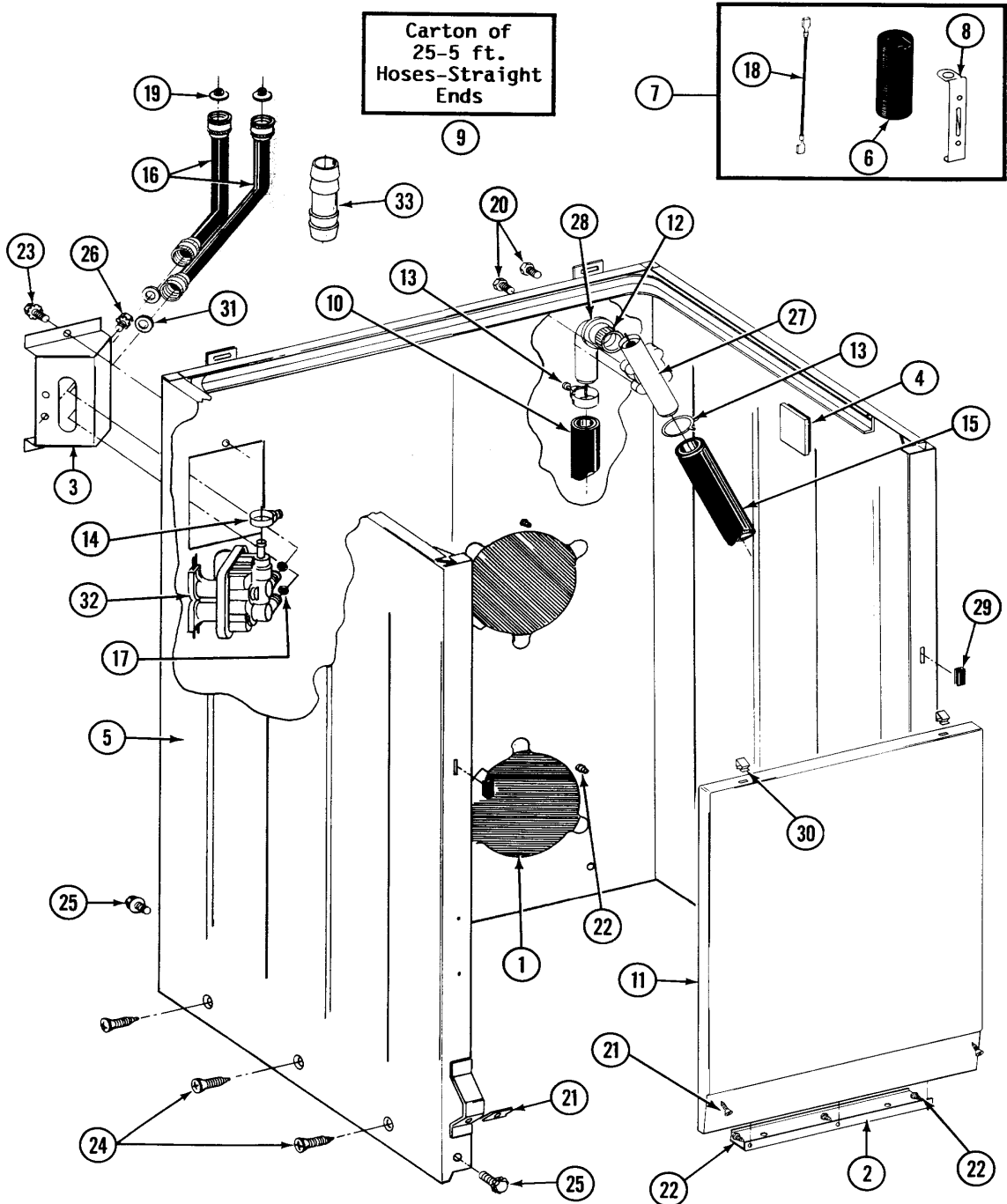
No.	Part No.	Description	Series	Qty
1	207228	AGITATOR W/LOCK SCREW	A0	1
2	212942	AIR DOME AND TUBE Note: AIR DOME & TUBE	A0	1
3	211130	LINER, TUB BEARING	A0	1
4	200744	BOLT & GASKET ASSY.(SHORT)	A0	1
4	205254	BOLT & GASKET ASSEMBLY (LONG)	A0	2
5	205529	NUT & BOLT KIT FOR TUB CLAM Note: NUT & BOLT KIT, TUB CLAMP	A0	2
6	215232	UNBALANCE BUMPER Note: BUMPER, UNBALANCE	A0	1
7	214725	CAP FOR SPOUT-OUTER TUB Note: PART NOT USED	A0	1
8	211641	CLAMP, 1-1/16" Note: CLAMP (1-1/16")	A0	1
9	200846	CLAMP - TUB COVER Note: CLAMP, TUB COVER	A0	1
10	410296	CLAMP,WATER LEVEL SWTCH TUBE Note: CLAMP, WATER LVL SWITCH TUBE	A0	1
11	211047	NUT, CLAMPING (INNER TUB)	A0	1
12	214434	SPOUT, DEFLECTOR	A0	1
13	215721	DISPENSING CAP Note: PART NOT USED	A0	1
14	215733	DISPENSING CUP Note: CUP, DISPENSING	A0	1
15	207219	FILTER, SELF-CLEANING Note: PART NOT USED	A0	2
16	213045	DRAIN HOSE-TUB TO PUMP Note: HOSE, OUTER TUB	A0	1
17	200900	CLAMP, SPRAY ARM HOSE	A0	1
18	201575	HOSE CLAMP Note: CLAMP, HOSE	A0	1
19	202515	HOSE CLAMP - 1-1/16 INCH Note: CLAMP, HOSE (1-1/16 INCH)	A0	3
20	202574	CLAMP, HOSE Note: CLAMP, HOSE	A0	1
21	205161	CLAMP - 15/16" Note: CLAMP, BLEACH HOSE	A0	1
22	215234	INJECTOR FILL HOSE Note: FILL HOSE, INJECTOR	A0	1
23	213013	HOSE, INJECTOR Note: HOSE, INJECTOR	A0	1
24	213015	INJECTOR NOZZLE Note: NOZZLE, INJECTOR	A0	1
25	215235	INJECTOR TUBE Note: TUBE, INJECTOR	A0	1
26	207831	INNER TUB W/PLUG Note: INNER TUB W/PLUG	A0	1
27	207657	LINT FILTER DEEP Note: PART NOT USED	A0	1
27	207426	LINT FILTER DEEP Note: LINT FILTER, AGITATOR	A0	1
28	015667	RETAINING RING	A0	1
29	054867	WASHER, LOCK	A0	3
30	202521	MOUNTING STEM Note: STEM, MOUNTING	A0	1
31	204012	MOUNTING STEM REPAIR KIT Note: KIT, MOUNTING STEM REPAIR	A0	1
32	205484	OUTER TUB Note: TUB, OUTER	A0	1
33	215980	PLUG, FILTER HOLE	A0	2
34	015666	WASHER,RETAINING(CENTER SEAL)- Note: WASHER, RETAINING	A0	1
35	206478	SCREW & WASHER FOR AGITATOR Note: SCREW & WASHER, AGITATOR	A0	1
36	312620	SEMS SCREW, #10-16 X 1/2" Note: SCREW, SEMS (#10-16 X 1/2")	A0	1
37	211618	SET SCREW, MTG. STEM Note: SET SCREW, MOUNTING STEM	A0	1
38	211232	SEAL	A0	1
39	0A4298	SEAL, AGITATOR DRIVE SHAFT Note: SEAL, AGITATOR DRIVE SHAFT	A0	1
40	201537	SEAL AND SPRING Note: SEAL & SPRING	A0	1
41	215233	SEAL FOR INJECTOR TUBE Note: SEAL, INJECTOR TUBE	A0	1
42	215447	SLEEVE FOR INJECTOR Note: SLEEVE, INJECTOR	A0	1
43	214739	SPRING HOSE CLAMP Note: CLAMP, SPRING HOSE	A0	1
44	200824	BEARING, TUB Note: BEARING, TUB	A0	1
45	204013	TUB BEARING REPAIR KIT Note: KIT, TUB BEARING REPAIR	A0	1
46	206380	TUB COVER Note: COVER, TUB	A0	1
47	214433	TUBE, INLET TO TUB	A0	1
48	213016	VALVE FOR INJECTOR SUB Note: VALVE, INJECTOR	A0	1
49	211210	WASHER,CLAMPING NUT(STAINLESS) Note: WASHER, CLAMPING NUT	A0	1
50	211100	WASHER, CUSHION	A0	3
51	205613	WATER VALVE Note: VALVE, WATER	A0	1

*Color Code (-)=Not Shown #=Series, Serial Prefix or Run No., N=Not Available

Section: CABINET, WATER VALVE, HOSES & FRNT PANEL

Model: A8740

SECTION: CABINET, WATER VALVE, HOSES & FRONT PANEL
MODEL: ALL MODELS



Issue Date: 4/90

Section: CABINET, WATER VALVE, HOSES & FRNT P

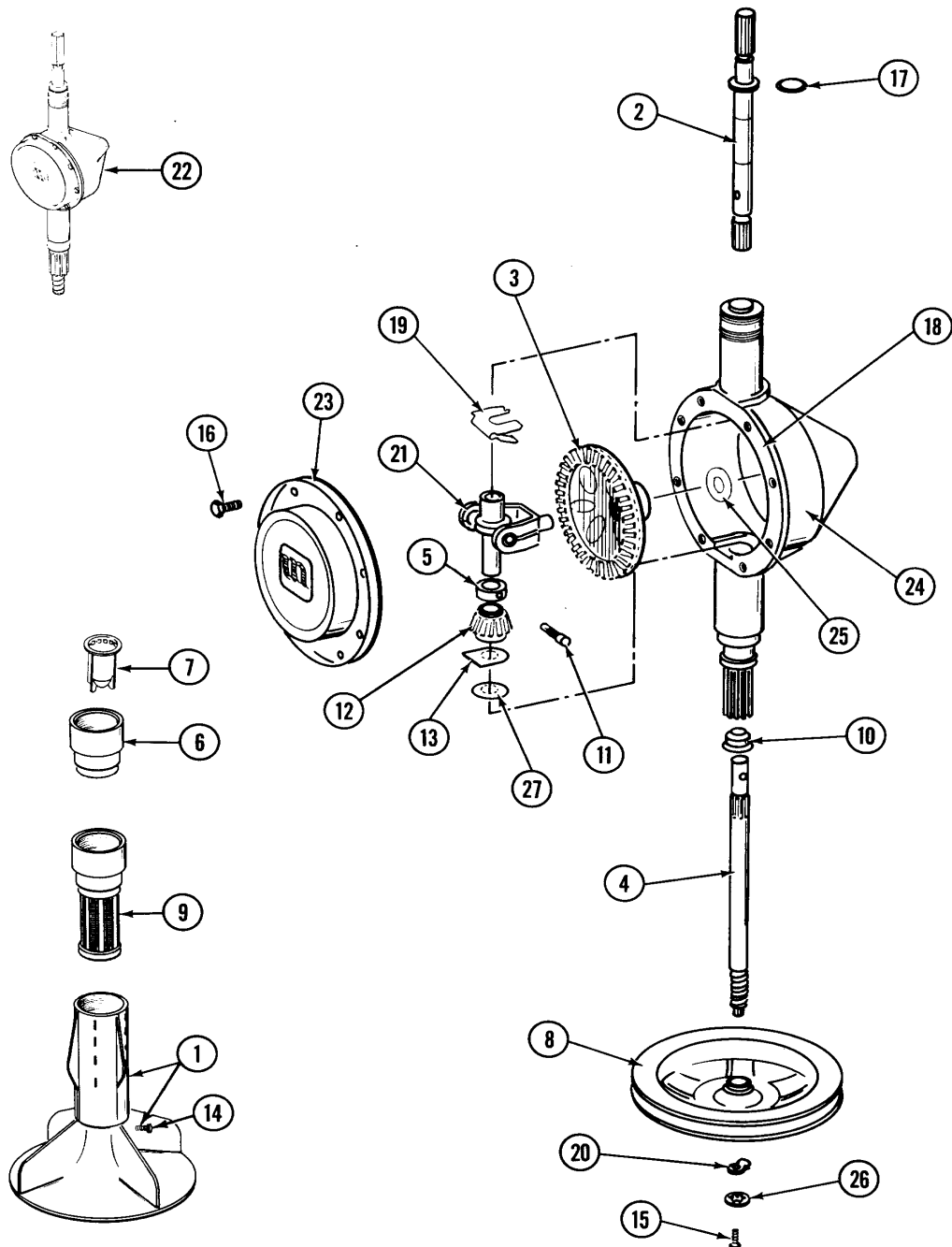
No.	Part No.	Description	Series	Qty
1	N 211878	PLATE, ACCESS	A0	2
2	213846	GUARD, BELT	A0	1
3	214812	BRACKET,WATER VALVE Note: BRACKET, WATER VALVE	A0	1
4	215058	PAD, CABINET BUMPER	A0	2
5	N 203319	CABINET-WHITE Note: CABINET (WHT)	A0	1
6	200832	CAPACITOR	A0	1
7	206103	CAPACITOR KIT Note: KIT, CAPACITOR	A0	1
8	211149	CLIP, CAPACITOR	A0	1
9	202861	CARTON OF 25 HOSE, 5' Note: CARTON OF 25 HOSES (5 FT)	A0	1
10	216017	HOSE, DRAIN (7/8" I.D.)	A0	1
10	N 059149	(7/8" I.D. CARTON OF 50 FT.)	A2	1
10	215279	HOSE, DRAIN	A0	1
11	212998	FRONT PANEL-WHITE Note: PANEL, FRONT (WHT)	A0	1
12	214765	GASKET, SIPHON BREAK	A0	1
13	200908	HOSE CLAMP - 1-1/2 INCH Note: CLAMP, HOSE (1-1/2 INCH)	A2	1
13	200461	HOSE CLAMP - 1-5/8 INCH Note: CLAMP, HOSE (1-5/8 INCH)	A0	1
14	201575	HOSE CLAMP Note: CLAMP, HOSE	A0	1
15	214767	HOSE,PUMP TO SIPHON BREAK Note: HOSE, PUMP	A0	1
16	202860	INLET HOSE ASSY. Note: ASSY, INLET HOSE	A0	2
16	200688	INLET HOSE, HOT 6 FT. Note: HOSE, INLET (HOT 6 FT.)	A0	1
16	205828	HOSE, INLET ASSY. Note: ASSY, INLET HOSE	A0	1
16	200681	INLET HOSE, HOT 10 FT. Note: HOSE, INLET (HOT 10 FT.)	A0	1
16	200672	INLET HOSE ASSY. Note: ASSY, INLET HOSE	A0	1
17	214337	SCREEN, VALVE	A0	1
18	203237	#17 WIRE WITH TERMINAL Note: #17 WIRE W/TERMINAL	A0	1
19	200961	SCREEN WASHER, INLET HOSE	A0	1
20	014874	SCREW	A0	4
21	204439	SCREW & FSTNER ASSY(FRT.PANEL) Note: SCREW & FASTNER ASSY.	A0	2
22	211294	SCREW	A0	5
23	212276	SCREW	A0	1
24	213007	SCREW, CABINET	A0	6
25	213121	SCREW	A0	3
25	213122	SCREW,CBNT.TO FRNT OF BASE--NA Note: SCREW, CABINET	A0	2
26	N 313561	SCREW----NA	A0	2
27	206638	SIPHON BREAK(W/CLAMP) Note: SIPHON BREAK (W/CLAMP)	A0	1
28	214764	SIPHON BREAK ELBOW Note: ELBOW, SIPHON BREAK	A0	1
28	216016	ELBOW, SIPHON BREAK Note: ELBOW, SIPHON BREAK	A2	1
29	214376	SPACER, FRONT PANEL	A0	2
30	212982	FASTENER, PANEL	A0	2
31	013783	GASKET, INLET HOSE Note: WASHER, INLET HOSE	A0	2
32	205613	WATER VALVE Note: VALVE, WATER	A0	1
33	216015	HOSE COUPLING Note: COUPLING, HOSE	A0	1

*Color Code (-)=Not Shown #=Series, Serial Prefix or Run No., N=Not Available

Section: ORBITAL TRANSMISSION

Model: A8740

SECTION: ORBITAL TRANSMISSION
MODEL: ALL MODELS



Issue Date: 4/90

Section: ORBITAL TRANSMISSION

No.	Part No.	Description	Series	Qty
1	207228	AGITATOR W/LOCK SCREW	A0	1
2	207153	SHAFT, AGITATOR (W/SPRING)	A0	1
3	206713	GEAR, BEVEL	A0	1
4	215410	CENTER SHAFT - LARGER Note: SHAFT, CENTER (LARGER)	A0	1
5	215415	COLLAR, LOWER	A0	1
6	215721	DISPENSING CAP Note: PART NOT USED	A0	1
7	215733	DISPENSING CUP Note: CUP, DISPENSING	A0	1
8	211059	PULLEY, DRIVE	A0	1
9	207426	LINT FILTER DEEP Note: FILTER, LINT (DEEP)	A0	1
9	207657	LINT FILTER DEEP Note: PART NOT USED	A0	1
10	206602	SEAL, LIP (CENTER SHAFT) Note: SEAL, LIP	A0	1
11	206629	PIN, COLLAR	A0	1
12	215401	PINION	A0	1
13	215395	PLATE, CLUTCH	A0	1
14	206478	SCREW & WASHER FOR AGITATOR Note: SCREW & WASHER, AGITATOR	A0	1
15	211375	SCREW, STOP LUG (CENTER SHAFT) Note: SCREW, STOP LUG	A0	1
16	215417	SCREW, TRANSMISSION COVER	A0	8
17	210690	SEAL, RUBBER	A0	1
18	058700	SILASTIC, ADH. SEALANT Note: SILASTIC, ADH. SEALANT	A0	1
19	215581	SPRING, AGITATOR SHAFT	A0	1
20	211089	LUG, STOP	A0	1
21	206685	BLOCK, TORQUE AND YOKE ASSEMBL	A0	1
22	206707	TRANSMISSION, ORBITAL	A0	1
23	206628	COVER, TRANSMISSION	A0	1
24	206624	HOUSING, TRANSMISSION	A0	1
25	215394	WASHER, BEVEL GEAR	A0	1
26	211090	WASHER, LOCK	A0	1
27	211483	WASHER, SPLINED	A0	1

*Color Code (-)=Not Shown #=Series, Serial Prefix or Run No., N=Not Available

Section: BASE, PUMP, MOTOR & COMPONENTS

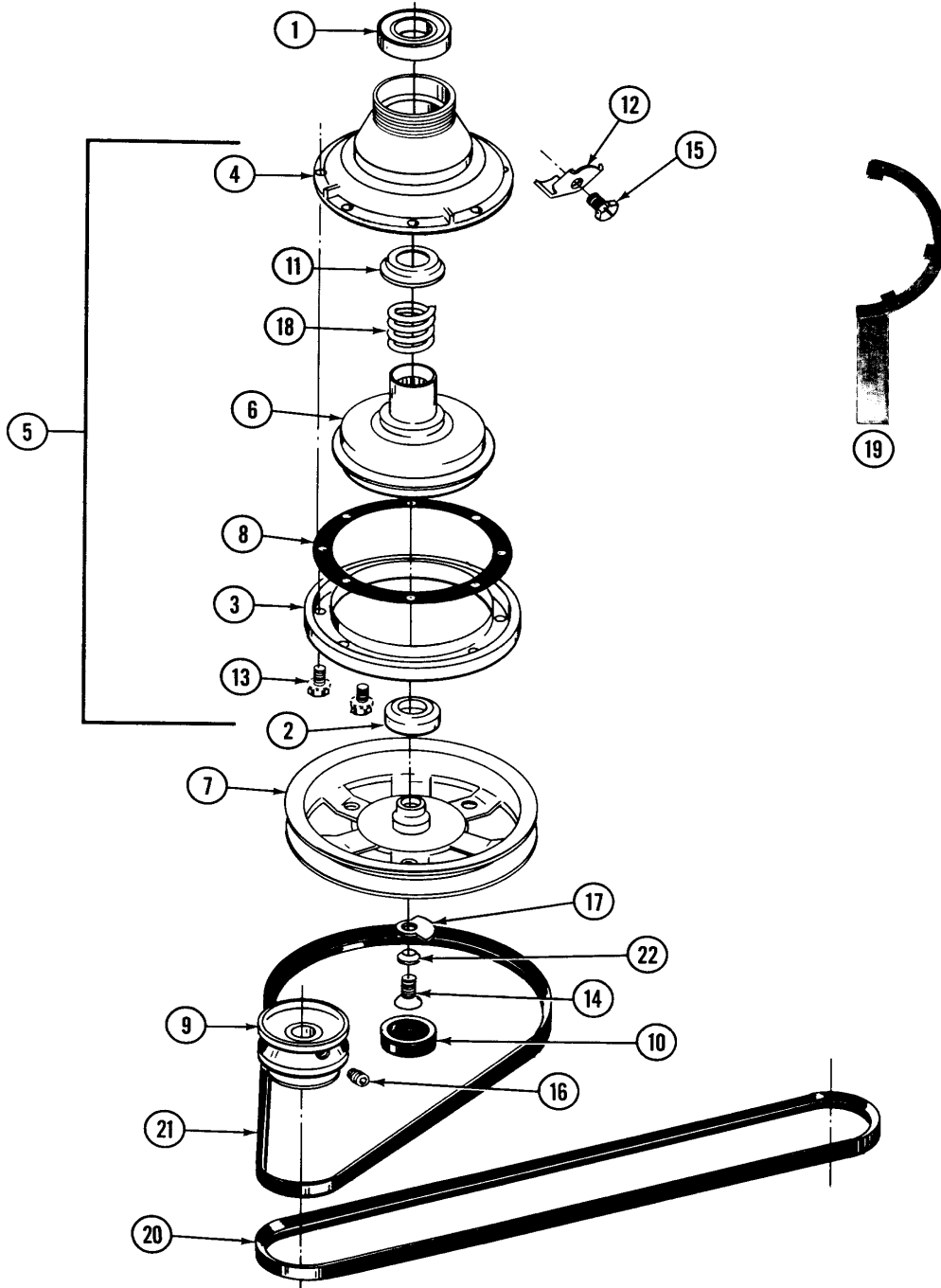
No.	Part No.	Description	Series	Qty
1	302699	LEG, ADJUSTABLE (W/NUT)	A0	4
2	203274	BASE WITH DAMPER PADS Note: BASE W/DAMPER PADS	A0	1
3	015627	SCREW, HEX HD CAP 5/16 X 5/8	A0	6
4	205254	BOLT & GASKET ASSEMBLY (LONG)	A0	2
4	200744	BOLT & GASKET ASSY.(SHORT)	A0	1
5	213053	BRACE, TUB	A0	3
6	213054	CENTERING SPRING - 3 USED Note: SPRING, CENTERING	A0	3
7	203725	DAMPER W/BOLT & CLIP	A0	1
8	203956	DAMPER PAD KIT (W/POLY LUBE)	A0	1
9	213073	WASHER, DOUBLE Note: WASHER, DOUBLE	A0	3
10	214767	HOSE,PUMP TO SIPHON BREAK Note: HOSE, PUMP	A0	1
11	213120	EYE BOLT FOR CENTER SPRING Note: EYE BOLT, CENTER SPRING	A0	3
12	204807	GRND.WIRE,SUPP.PLTE TO TOP CVR Note: WIRE, MOTOR GROUND	A0	1
13	213045	DRAIN HOSE-TUB TO PUMP	A0	1
14	200461	HOSE CLAMP - 1-5/8 INCH Note: CLAMP, HOSE (1-5/8 INCH)	A0	1
15	202574	CLAMP, HOSE Note: CLAMP, HOSE	A0	1
16	N 311246	KEPS NUT-MOTOR BASE Note: KEPS NUT, MOTOR BASE	A0	3
17	205908	LOWER MOTOR MOUNT Note: MOUNT, LOWER MOTOR	A0	1
18	200816	PULLEY, MOTOR (W/SET SCREW)	A0	1
19	201805	MOTOR (ONE SPEED) Note: PART NOT USED A4910-A5910-A8500-A8520-A8600 A8640-A8650-A9200-A9300-A9400 A9400S	A0	1
20	201807	MOTOR - TWO SPEED 120-60 Note: MOTOR, TWO SPEED A6910-A8700-A8740-A8800-A8820 A8840-A9600-A9700-A9700S A9800-A9900	A0	1
21	205999	MOTOR MOUNT ASSM COMPLETE Note: ASSY, MOTOR MOUNT (COMPLETE)	A0	1
22	206504	MOTOR EXTERNAL START SWITCH Note: SWITCH, MOTOR EXTERNAL START 2-1666-13 AND 2-5464-1	A0	1
22	206505	SWITCH, MOTOR START Note: SWITCH, MOTOR EXTERNAL START 2-1664-11 AND 2-5463-1	A0	1
22	N 205134	MOTOR EXTERNAL START SWITCH Note: SWITCH, MOTOR EXTERNAL START 2-1666-8 AND 2-5464	A0	1
22	205131	SWITCH, MOTOR START Note: SWITCH, MOTOR EXTERNAL START 2-1666-2,2-1666-11,2-1666-12 2-1666-14 AND 2-5464-2	A0	1
22	205132	SWITCH, MOTOR START Note: SWITCH, MOTOR EXTERNAL START PROD #2-1664-4,2-1664-9, 2-1664-10,2-1664-12 AND 2-5463-2	A0	1
22	N 205133	MOTOR EXTERNAL START SWITCH Note: SWITCH, MOTOR EXTERNAL START 2-1664-8 AND 2-5463	A0	1
23	215098	SHIELD, MOTOR	A0	1
24	052734	NUT Note: NUT, BRACE TO TUB	A0	3
25	052785	NUT,BRACE TO DAMPER Note: NUT, BRACE	A0	6
26	210385	NUT, LOCK	A0	4
27	211949	NUT, EYEBOLT	A0	3
28	202203	PUMP AS PAK	A0	1
29	204998	GLIDE KIT (4 W/POLY LUBE) Note: ROLLER KIT (4 W/POLY LUBE)	A0	1
30	205000	GLIDE & SPRING KIT Note: KIT, ROLLER & SPRING	A0	1
31	210684	FOOT, RUBBER	A0	4
32	015408	SCREW, BEARING INSERT	A0	1
33	210186	SCREW, GROUND WIRE TO BASE--NA Note: SCREW, GROUND WIRE	A0	1
34	211880	SCREW, HEX HD #10 X 1/2 INC Note: SCREW, PUMP	A0	3
35	213121	SCREW Note: SCREW, MOTOR SHIELD	A0	1
36	053241	SET SCREW, PULLEY	A0	1
37	202718	TENSION SPRINGS Note: SPRINGS, TENSION	A0	1
38	206707	TRANSMISSION, ORBITAL	A0	1
39	214956	MOUNT, MOTOR/UPPER Note: PLATE, MOTOR MOUNT (UPPER)	A0	1
40	054867	WASHER, LOCK	A0	3
41	211100	WASHER, CUSHION	A0	3
42	212979	WASHER, TUB BRACE	A0	3
43	911852	WASHER, LOCK (BRACE)	A0	6
44	211028	DEFLECTOR,WATER (DRIVE TUBE) Note: DEFLECTOR, WATER	A0	1

*Color Code (-)=Not Shown #=Series, Serial Prefix or Run No., N=Not Available

Section: CLUTCH, BRAKE & BELTS

Model: A8740

SECTION: CLUTCH, BRAKE & BELTS
MODEL: ALL MODELS



Issue Date: 4/90

Section: CLUTCH, BRAKE & BELTS

No.	Part No.	Description	Series	Qty
1	200720	BALL BEARING, RADIAL	A0	1
2	200835	BEARING, BRAKE ROTOR	A0	1
3	211043	DRUM, BRAKE	A0	1
4	211045	HOUSING, BRAKE	A0	1
5	201190	BRAKE ASSEMBLY Note: PACKAGE, BRAKE	A0	1
6	201126	ROTOR, BRAKE (W/FACING)	A0	1
7	211059	PULLEY, DRIVE	A0	1
8	211042	GASKET, BRAKE DRUM	A0	1
9	200816	PULLEY, MOTOR (W/SET SCREW)	A0	1
10 N	211038	CAP, OIL RETAINER	A0	1
11	211039	RETAINER, BRAKE SPRING	A0	1
12	213325	CLIP, RETAINER	A0	1
13	211000	SCREW,HEX HEAD (BRAKE DRUM) Note: SCREW, HEX HEAD	A0	8
14	211375	SCREW,STOP LUG(CENTER SHAFT) Note: SCREW, STOP LUG	A0	1
15	213326	SCREW, RETAINING CLIP Note: BOLT, RETAINING CLIP	A0	1
16	053241	SET SCREW, PULLEY	A0	1
17	211089	LUG, STOP	A0	1
18	211041	SPRING, BRAKE	A0	1
19	038315	TOOL, BRAKE PKG ASSY	A0	1
20	211124	V BELT, PUMP	A0	1
21	211125	V BELT,DRIVE PULLEY Note: V BELT, DRIVE PULLEY	A0	1
22	211090	WASHER, LOCK	A0	1

*Color Code (-)=Not Shown #=Series, Serial Prefix or Run No., N=Not Available