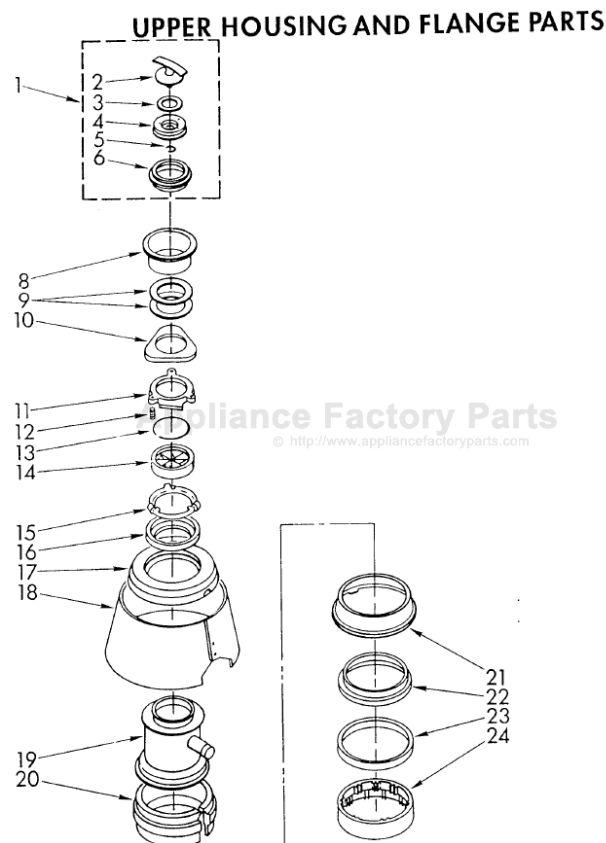


KITCHENAID 4KCDS250T2 Owner's Manual

[Shop genuine replacement parts for KITCHENAID
4KCDS250T2](#)



[Find Your KITCHENAID Disposal Parts - Select From 75 Models](#)

----- Manual continues below -----

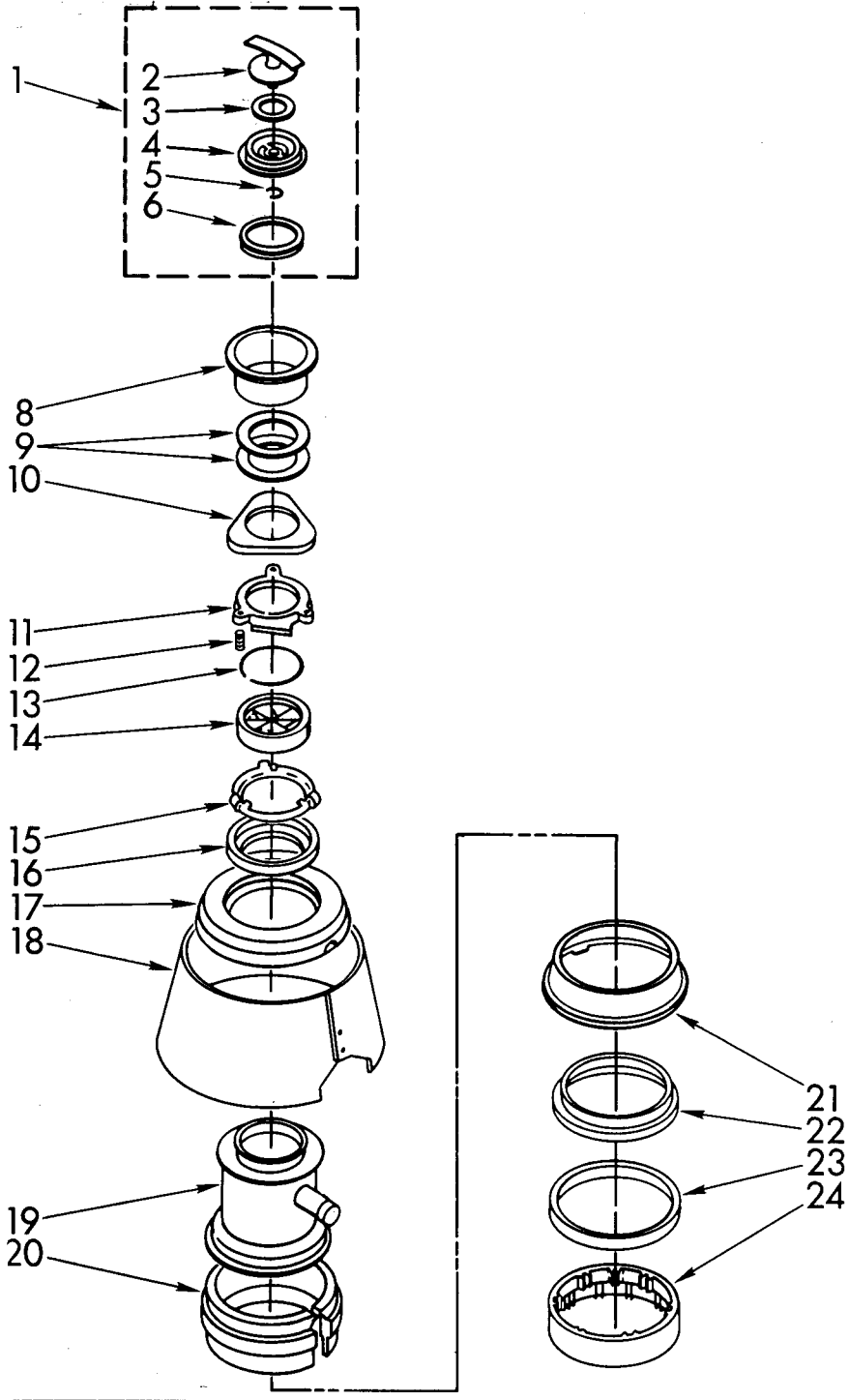
PARTS LIST FOR

KitchenAid®

DISPOSER

**MODEL
4KCDS250T2**

UPPER HOUSING AND FLANGE PARTS



4-93

KitchenAid

ST. JOSEPH, MI 49085

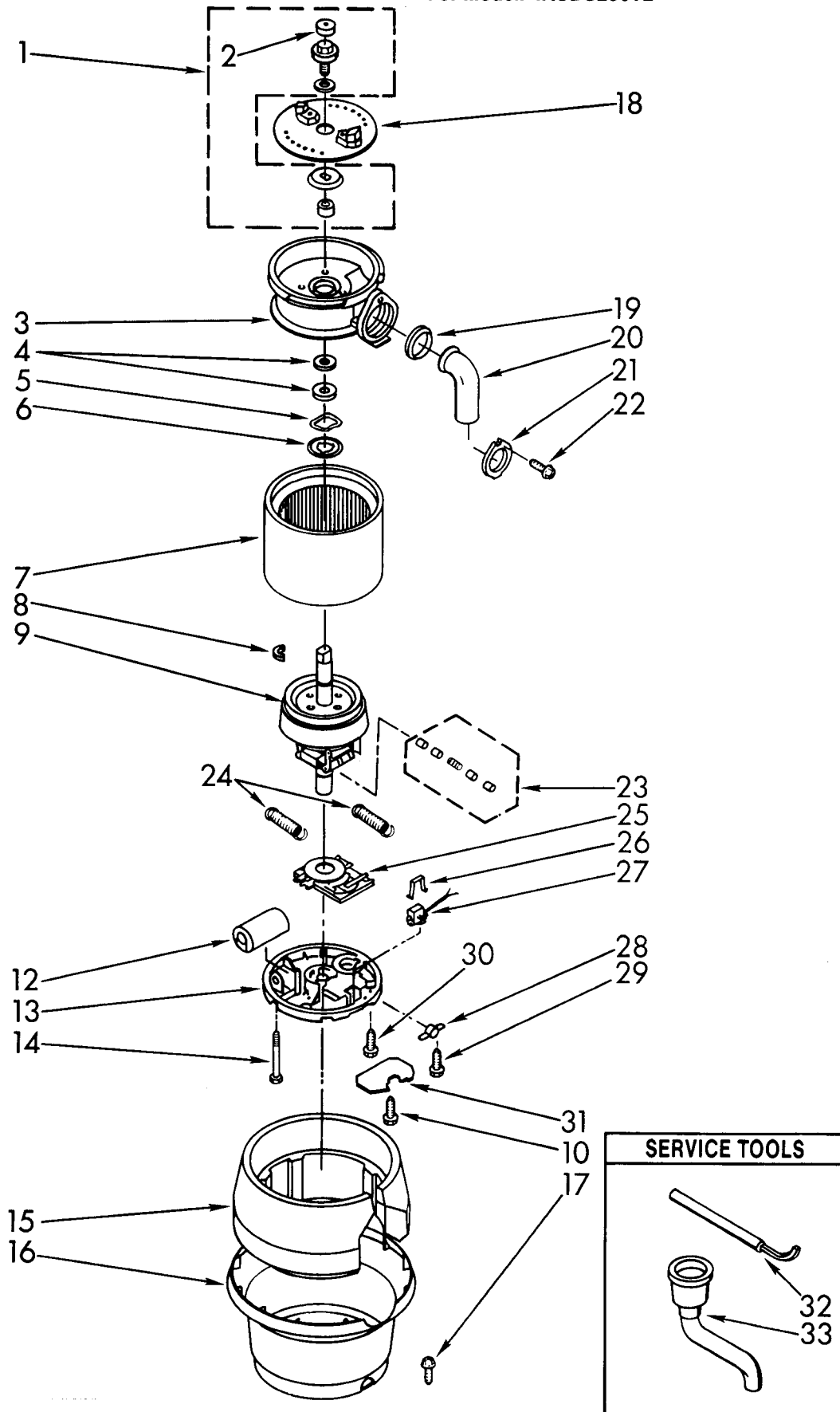
1	4211353	Stopper Assembly
2	4211464	Handle, Stopper
3	4211355	Gasket, Stopper (Inner)
4	4211491	Stopper, Body
5	4211357	Ring, Retaining
6	4211333	Gasket, Stopper (Outer)
8	4211553	Flange, Strainer
9	4211302	Gasket, Strainer Flange (2)
10	4211303	Flange, Backup
11	4211304	Flange, Mounting
12	4211305	Screw, Backup (3)
13	4211306	Ring, Retaining
14	4211334	Gasket, Mounting
15	4211308	Flange, Body
16	4211359	Gasket, Body
17	4211360	Shell Assembly, Trim (Top)
18	4211361	Band, Trim Assembly
19	4211362	Container, Body Assembly (Includes Sound Insulation)
20	4211363	Insulation, Top
21	4211364	Body, Lower
22	4211365	Gasket, Shredder
23	4211366	Insulation, Sound
24	4211367	Shredder, Stationary

Following Parts Not Illustrated

LIT4211429	Guide, Use And Care
LIT4211430	Instructions, Installation (English)
LIT4211431	Installation, Instructions (French)
LIT4211589	Repair Parts List

LOWER HOUSING AND MOTOR PARTS

For Model: 4KCDS250T2



1	4211578	Kit, Sleeve And Seal (Includes Plug, Bolt, Washer, Slinger And Sleeve)
2	4211341	Plug
3	4211492	End Bell Assembly (Upper)
4	4211405	Washer, Phenolic (2)
5	4211406	Washer, Rubber
6	4211493	Washer, Thrust
7	4211424	Stator Assembly
8	4211376	Ring, C
9	4211584	Rotor & Shaft Assembly (Includes Illus. No. 24)
10	4211380	Screw (4)
12	4211385	Capacitor
13	4211470	End Frame, Assembly (Lower)
14	4211389	Bolt, Thru (4)
15	4211393	Insulation, Bottom
16	4211471	Trim, Shell Assembly
17	4211395	Screw, Tapping (3)
18	4211368	Shredder Assembly, Rotating
19	4211344	Gasket, Tailpipe
20	4211370	Tailpipe
21	4211345	Flange, Tailpipe
22	4211346	Screw, Tailpipe
23	4211468	Transfer Assembly
24	4211378	Spring (2)
25	4211469	Switch Assembly, Start
26	4211383	Clip, Overload
27	4211425	Overload, Protector
28	4211387	Clamp, BX
29	4211388	Screw, Clamp BX (2)
30	4211390	Screw, Ground
31	4211391	Cover, Terminal
32	4211435	Emergency, Wrench Assembly
33	4211396	Adapter, Sink