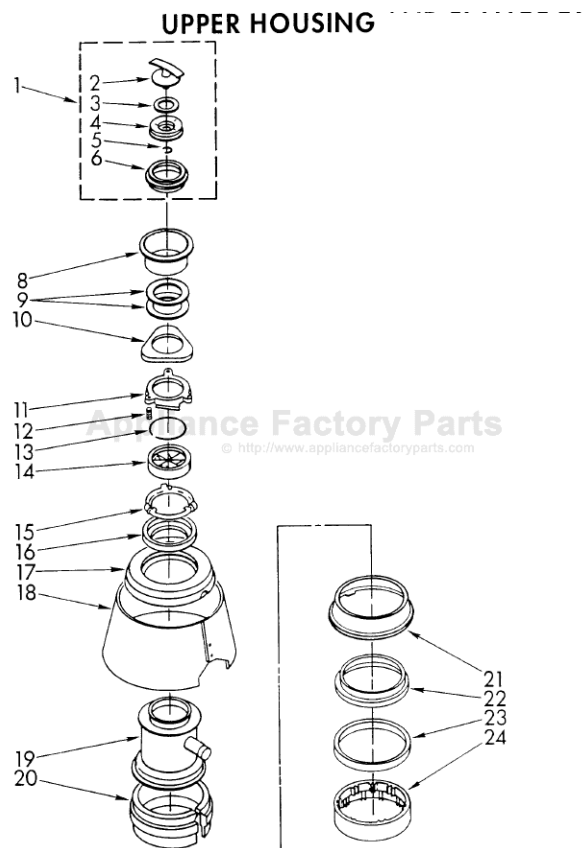


This Owner's Manual is provided and hosted by [Appliance Factory Parts](http://www.appliancefactoryparts.com).



KITCHENAID KCDS250S2 Owner's Manual

[Shop genuine replacement parts for KITCHENAID
KCDS250S2](#)



[Find Your KITCHENAID Disposal Parts - Select From 75 Models](#)

----- Manual continues below -----

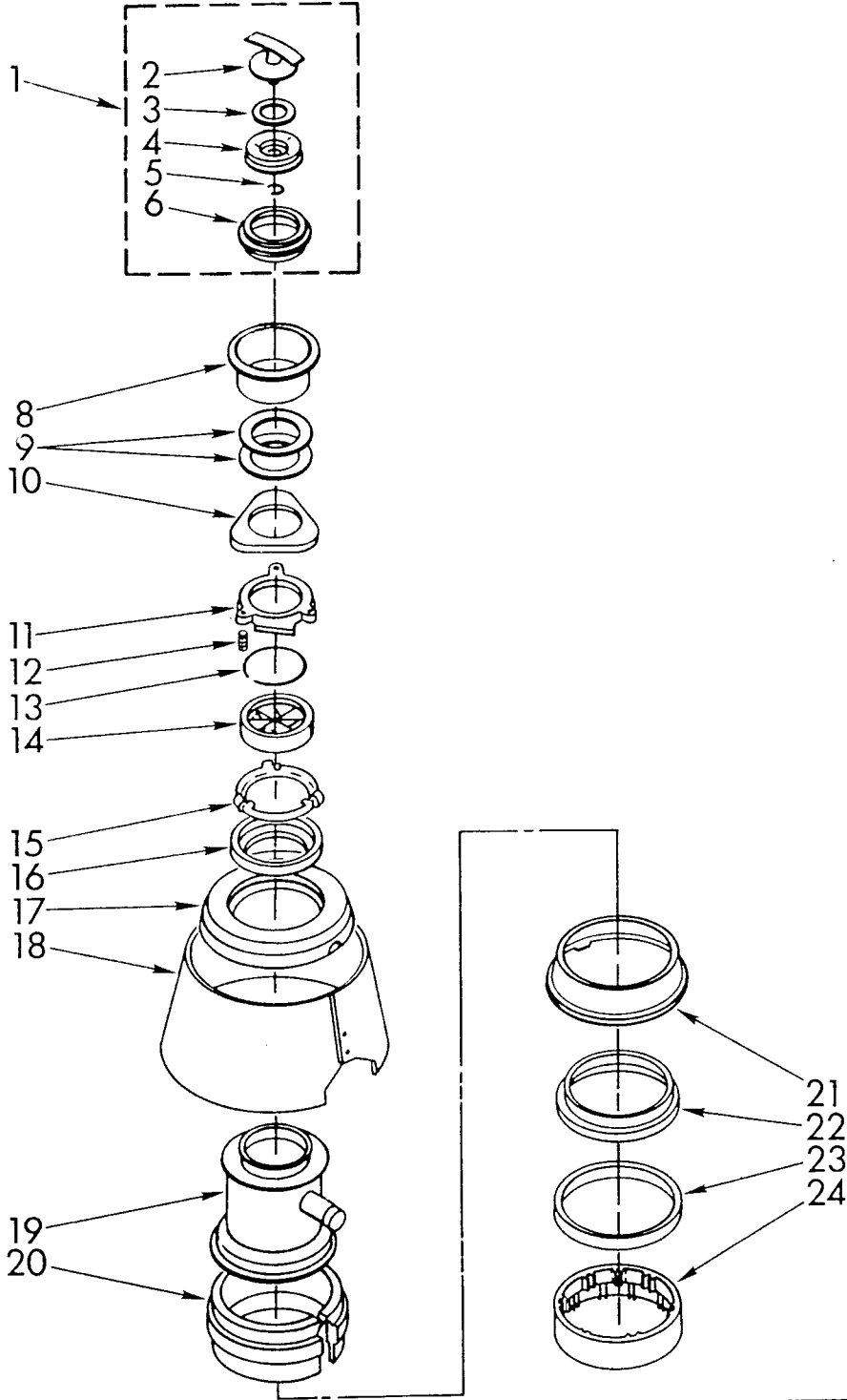
PARTS LIST FOR

KitchenAid®

DISPOSER

**MODEL
KCDS250S2**

UPPER HOUSING AND FLANGE PARTS



5-90 Printed in U.S.A.

KitchenAid INC.

ST. JOSEPH, MI 49085

© 1990 KITCHENAID, INC.

32-G-11



Part No. 4211531

| | | |
|----|---------|--|
| 1 | 4211463 | Stopper Assembly |
| 2 | 4211354 | Handle, Stopper |
| 3 | 4211355 | Gasket, Stopper (Inner) |
| 4 | 4211356 | Stopper, Body |
| 5 | 4211357 | Ring, Retaining |
| 6 | 4211333 | Gasket, Stopper (Outer) |
| 8 | 4211301 | Flange, Strainer |
| 9 | 4211302 | Gasket, Strainer Flange (2) |
| 10 | 4211303 | Flange, Backup |
| 11 | 4211304 | Flange, Mounting |
| 12 | 4211305 | Screw, Backup (3) |
| 13 | 4211306 | Ring, Retaining |
| 14 | 4211334 | Gasket, Mounting |
| 15 | 4211308 | Flange, Body |
| 16 | 4211359 | Gasket, Body |
| 17 | 4211360 | Shell Assembly, Trim (Top) |
| 18 | 4211361 | Band, Trim Assembly |
| 19 | 4211362 | Container, Body Assembly (Includes Sound Insulation) |
| 20 | 4211363 | Insulation, Top |
| 21 | 4211364 | Body, Lower |
| 22 | 4211365 | Gasket, Shredder |
| 23 | 4211366 | Insulation, Sound |
| 24 | 4211367 | Shredder, Stationary |

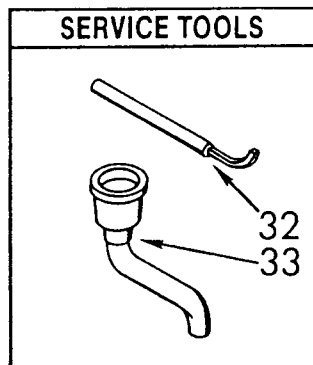
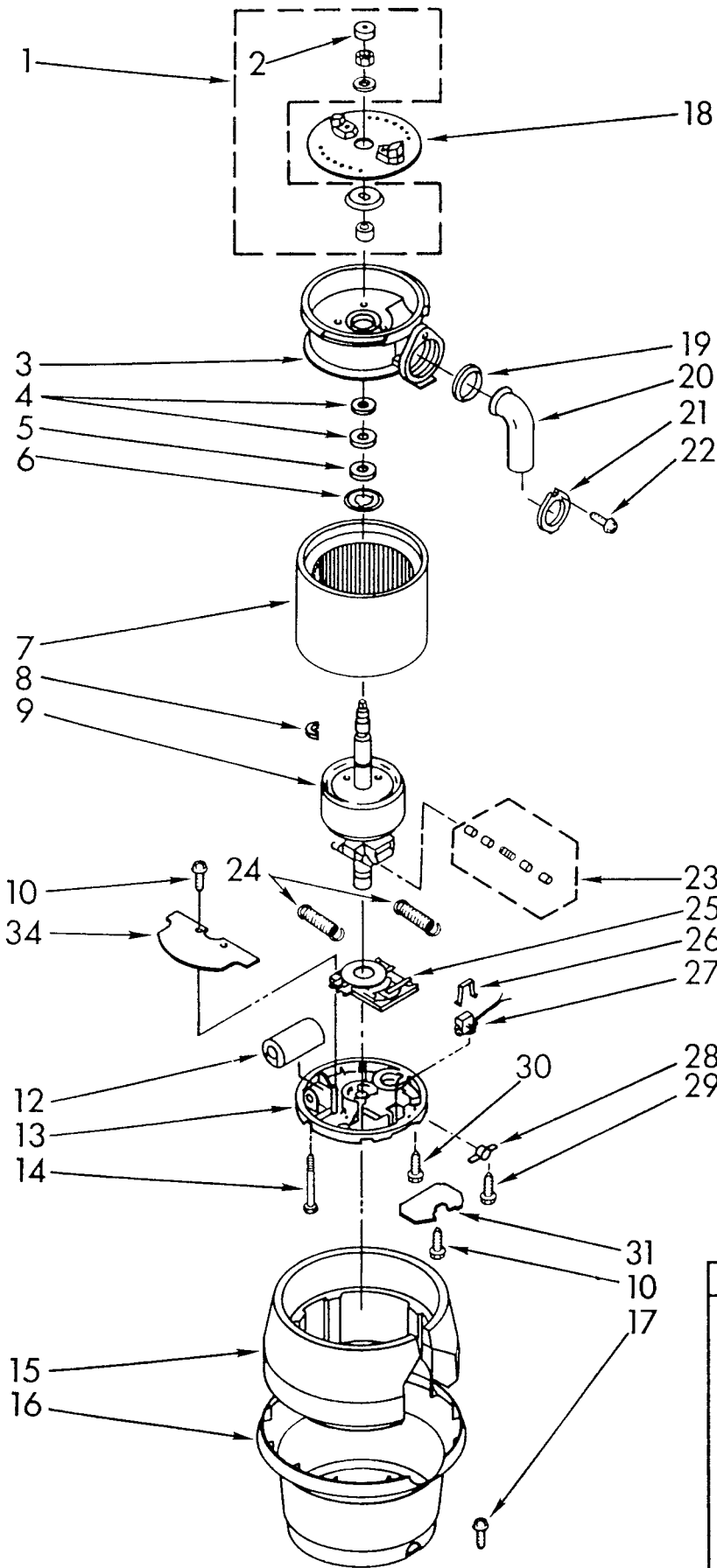
Following Parts Not Illustrated

LITERATURE PARTS

| | |
|------------|----------------------------|
| LIT4211451 | Guide, Use And Care |
| LIT4211452 | Instructions, Installation |
| LIT4211531 | Repair Parts List |

LOWER HOUSING AND MOTOR PARTS

For Model: KCDS250S2



FOR ORDERING INFORMATION REFER TO PARTS PRICE LIST

| | | |
|----|---------|---|
| 1 | 4211311 | Kit, Sleeve And Seal (Includes Plug, Nut, Washer, Slinger And Sleeve) |
| 2 | 4211341 | Plug |
| 3 | 4211492 | End Bell Assembly (Upper) |
| 4 | 4211405 | Washer, Phenolic (2) |
| 5 | 4211406 | Washer, Rubber |
| 6 | 4211493 | Washer, Thrust |
| 7 | 4211375 | Stator Assembly |
| 8 | 4211376 | Ring, C |
| 9 | 4211494 | Rotor & Shaft Assembly (Includes Illus. No. 24) |
| 10 | 4211380 | Screw (5) |
| 12 | 4211385 | Capacitor |
| 13 | 4211470 | End Frame, Assembly (Lower) |
| 14 | 4211389 | Bolt, Thru (4) |
| 15 | 4211393 | Insulation, Bottom |
| 16 | 4211394 | Trim, Shell Assembly |
| 17 | 4211395 | Screw, Tapping (3) |
| 18 | 4211368 | Shredder Assembly, Rotating |
| 19 | 4211344 | Gasket, Tailpipe |
| 20 | 4211370 | Tailpipe |
| 21 | 4211345 | Flange, Tailpipe |
| 22 | 4211346 | Screw, Tailpipe |
| 23 | 4211468 | Transfer Assembly |
| 24 | 4211378 | Spring (2) |
| 25 | 4211469 | Switch Assembly, Start |
| 26 | 4211383 | Clip, Overload |
| 27 | 4211384 | Overload, Protector |
| 28 | 4211387 | Clamp, BX |
| 29 | 4211388 | Screw, Clamp BX (2) |
| 30 | 4211390 | Screw, Ground |
| 31 | 4211391 | Cover, Terminal |
| 32 | 4211435 | Emergency, Wrench Assembly |
| 33 | 4211396 | Adapter, Sink Assembly |
| 34 | 4211381 | Shield, Insulation |