

This Owner's Manual is provided and hosted by [Appliance Factory Parts](#).



KITCHENAID 5K45SSBWH4 Owner's Manual

[Shop genuine replacement parts for KITCHENAID
5K45SSBWH4](#)

KitchenAid®

[Find Your KITCHENAID Mixer Parts - Select From 532 Models](#)

----- Manual continues below -----

PARTS LIST

for

KitchenAid®

4 1/2 QT. STAND MIXER

U.K. CLASSIC – TILT

MODELS:

5K45SSBWH4 (White)

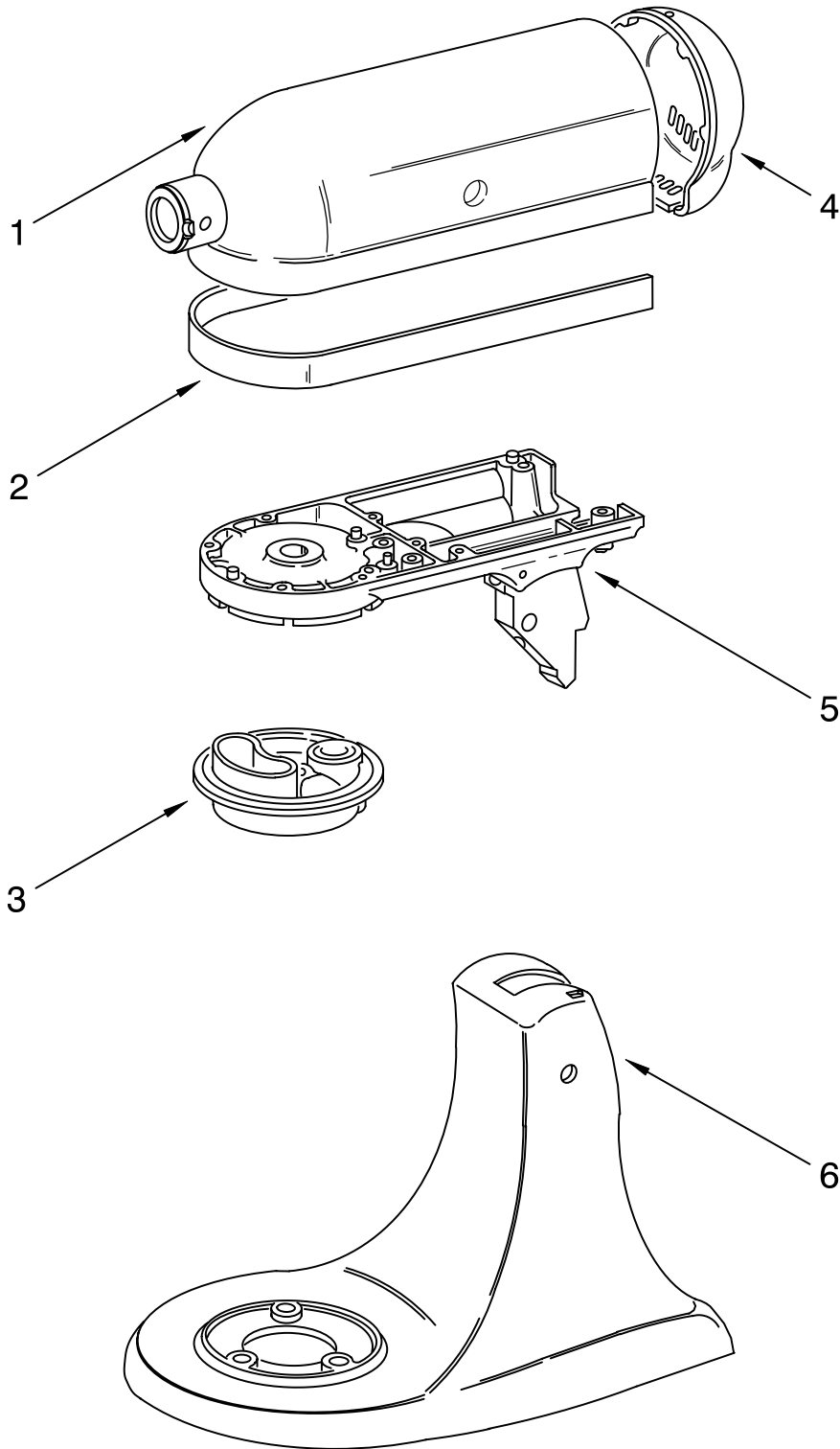


FOR CUSTOMER SATISFACTION ALWAYS USE
FACTORY SPECIFICATION PARTS



COLOR VARIATION PARTS

For Variations of Model: 5K45SSB_4

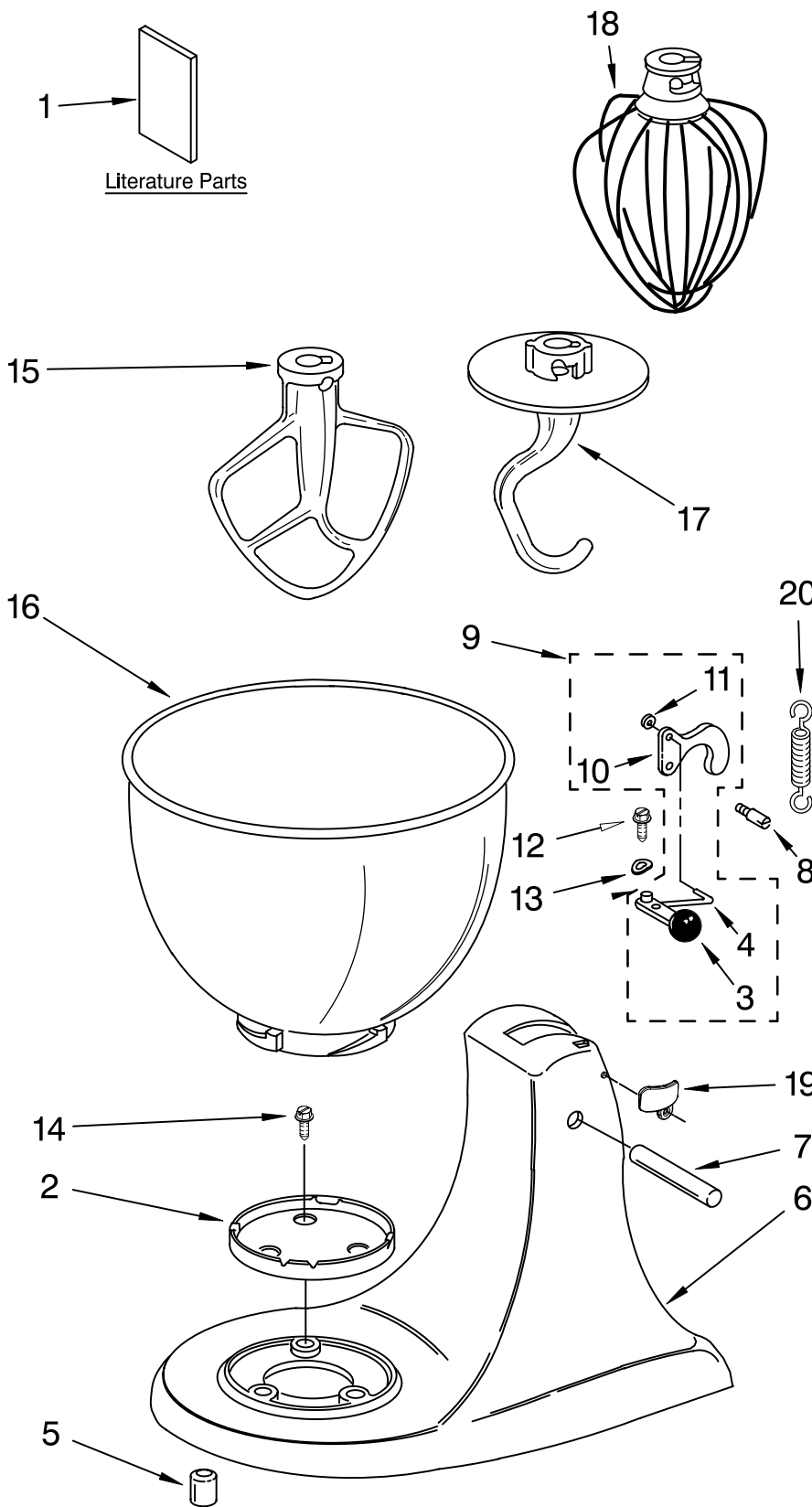


Illus. No.	Part No.	DESCRIPTION
1	240291-1	Motor Housing White
2	9705169	Trim Band Black
3	240286-1	Planetary White
4	240253-1	End Cover White
5	240350-4	Lower Gearcase White
6	3184273	Pedestal & Foot White

FOR ORDERING INFORMATION REFER TO PARTS PRICE LIST

BASE AND PEDESTAL UNIT

For Variations of Model: 5K45SSB__4

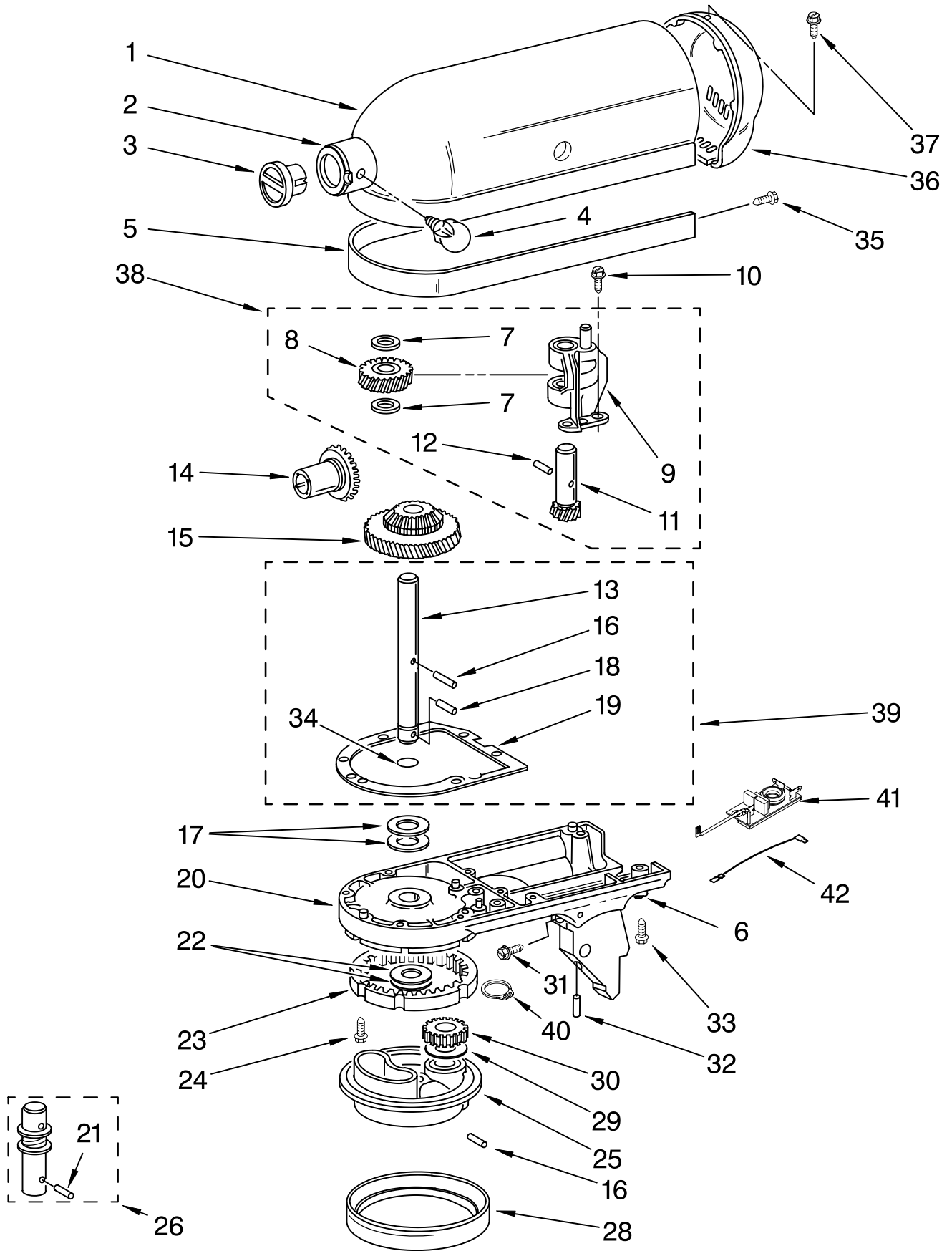


Illus. No.	Part No.	DESCRIPTION
1		Literature
	9709851	Use & Care Guide
	8212387	Repair Parts List
2	4162529	Cap, Bowl Screw
3	9709267	Lever, Latch
4	24450	Link, Latch
5	115792	Foot
6	**	Pedestal & Foot
7	16910	Pin, Hinge
8	103993	Screw, Latch Bearing
9	3184200	Latch, Link & Lever Assembly
10	9709055	Latch
11	8533912	Washer
12	110679	Screw
13	116241	Washer, Spring
14	3400020	Screw
15	9708470	Beater, Flat
16	4169926	Bowl And Base (4 1/2 Qt.)
17	9708471	Dough Hook
18	9706446	Wire Whip
19		Headlock
	3184262	White
20	3183690	Spring, Lock Lever

FOR ORDERING INFORMATION REFER TO PARTS PRICE LIST

CASE, GEARING AND PLANETARY UNIT

For Variations of Model: 5K45SSB_4



FOR ORDERING INFORMATION REFER TO PARTS PRICE LIST

CASE, GEARING AND PLANETARY UNIT

For Variations of Model: 5K45SSB_ _4

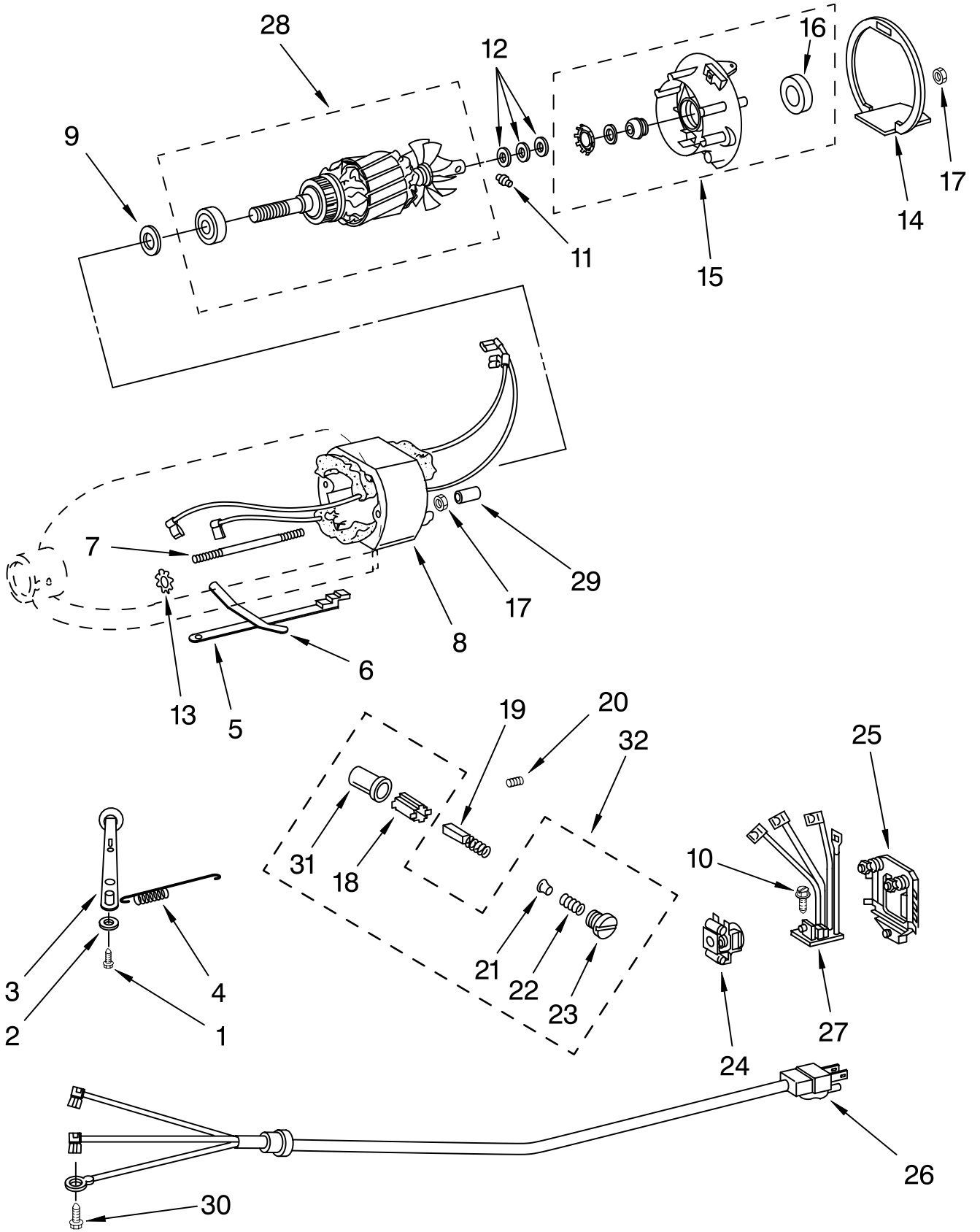
Illus. No.	Part No.	DESCRIPTION	Illus. No.	Part No.	DESCRIPTION	Illus. No.	Part No.	DESCRIPTION
1	**	Gearcase Motor Housing	15	9709627	Gear, Center & Bevel Pinion	29	9706090	Washer, Shim
2	16897	Ring, Attachment Hub	16	240018-1	Pin (Vertical Center Shaft)	30	9703903	Pinion, Gear
3	242765-2	Cap, Attachemnt Hub	17	3180163	Washer, Fiber	31	89411	Screw
4	9709194	Thumb Screw	18	9705443	Pin, Groove	32	3400203	Screw, Set
5	**	Band, Trim	19	4162324	Gasket, Transmission Case	33	3400025	Screw
6	8533914	Lock Washer	20	**	Lower Gear Case	34	67500-55	"O" Ring
7	3180161	Washer, Shim	21	9704677	Pin, Groove	35	311932	Screw, Self Tapping
8	4162897	Worm Gear	22	3180163	Washer, Fiber	36	**	Cover, End
9	240308	Worm Gear Bracket And Bearing	23	9703904	Gear, Internal	37	4162914	Screw
10	3400022	Screw	24	103994	Screw, Special	38	240309-2	Worm & Pinion Gears Assembly
11	240210-2	Gear, Shaft and Pinion	25	**	Planetary	39	4160474	Center Shaft & "O" Ring
12	9705444	Pin (Worm Gear)	26	3184052	Agitator Shaft Assembly	40	9703438	Ring
13	240026	Shaft, Vertical Center	28	240285	Ring, Planetary Drip	41	9705132	RFI Filter
14	9705130	Gear, Attachment Hub Bevel				42	9702311	Lead, Filter (to Control Board)

**Refer to Page 2
Color Variation Parts

FOR ORDERING INFORMATION REFER TO PARTS PRICE LIST

MOTOR AND CONTROL PARTS

For Variations of Model: 5K45SSB_4



FOR ORDERING INFORMATION REFER TO PARTS PRICE LIST

MOTOR AND CONTROL PARTS

For Variations of Model: 5K45SSB__4

Illus. No.	Part No.	DESCRIPTION	Illus. No.	Part No.	DESCRIPTION	Illus. No.	Part No.	DESCRIPTION
1	110679	Screw, Pivot	14	3184356	Seal, End	25	240904-2	Control Plate
2	116241	Washer, Spring	15	3180526	Bracket, Bearing			Assembly
3	9709276	Lever, Speed			Asm.	26		Cord, Power
		Control	16	3180238	Washer		9702314	White (UK)
4	3183680	Spring, Control	17	8533905	Nut, Machine	27	9706596	Board, Phase
		Plate	18	240680	Insert, Brush			Control
5	3184176	Speed Link & Cam			Holder	28	9708316	Armature &
6	240205	Spring, Flat	19	9706416	Brush, Carbon			Beareng Assy (240V)
7	240769	Screw, Stator	20	9707926	Screw, Set	29	4162634	Sleeve, Motor
8	9701670	Field Assembly	21	116286	Cap, Spring			Stud
9	9704324	Washer, Ball			Seat	30	3184086	Screw
		Bearing (Front)	22	116287	Spring, Cap	31	3179908	Housing, Brush
10	W10068260	Screw	23		Cap, Brush Holder			Holder
11	16998	Stud, Governor		3184212	Black	32	4162546	Brush Holder
		Drive	24	17830	Governor Assembly			Assembly
12	3180162	Washer, Spacing						
13	W10068270	Washer						

FOR ORDERING INFORMATION REFER TO PARTS PRICE LIST

ACCESSORY PARTS

For Variations of Model: 5K45SSB__4

Illus. No.	Part No.	DESCRIPTION
	4164778	Mixer Attachment Pak (Includes Food Grinder (FGA), Food Strainer (FVSP), And Vegetable Slicer, (RVSA) (FPPA)
	4164749	Food Grinder (FGA)
	8211924	Grain Mill (KGMA)
	4164768	Pasta Maker And Food Grinder (Includes SNP Pasta Maker Plates) (SN/FGA)
	4164775	Fruit/Vegetable Strainer Parts (Use With FGA Model Only) (FVSP)
	4164750	Rotor Slicer/Shredder (With 4 Standard Cones) Fine Shredder, Coarse Shredder, Thick Slicer, And Thin Slicer (RVSA)
	3177975	Pouring Shield (KPS2CL)
	4164824	Pasta Maker Plates (SNPA)
	4164774	Fruit/Vegetable Strainer And Food Grinder (FVS/FGA)
	3180617	Cover, Decorative (Cotton Polyester)
	4162838	Food Tray (FT)
	4164748	Juicer (JE)
	4164747	Can Opener (CO)
	4164803	Sausage Stuffer Kit (SSA)
	3177924	Bowl Cover, Plastic Non-Sealing
	4163337	Bowl, Stainless With Handle
	3180262	Bowl, 3 Qt.
	4162160	Bowl, Satin Stainless
	9707963	Ice Cream Maker (KICA)
	4176452	Pouring Shield (International)

FOR ORDERING INFORMATION REFER TO PARTS PRICE LIST