

This Owner's Manual is provided and hosted by [Appliance Factory Parts](#).



KITCHENAID KP26M1XACS5 Owner's Manual

[Shop genuine replacement parts for KITCHENAID
KP26M1XACS5](#)

KitchenAid®

[Find Your KITCHENAID Mixer Parts - Select From 532 Models](#)

----- Manual continues below -----

PARTS LIST

for

KitchenAid®

6 QT. STAND MIXER

ARCHITECT – BOWL LIFT

MODEL:

KP26M1XACS5 (Cocoa Silver)



FOR CUSTOMER SATISFACTION ALWAYS USE
FACTORY SPECIFICATION PARTS

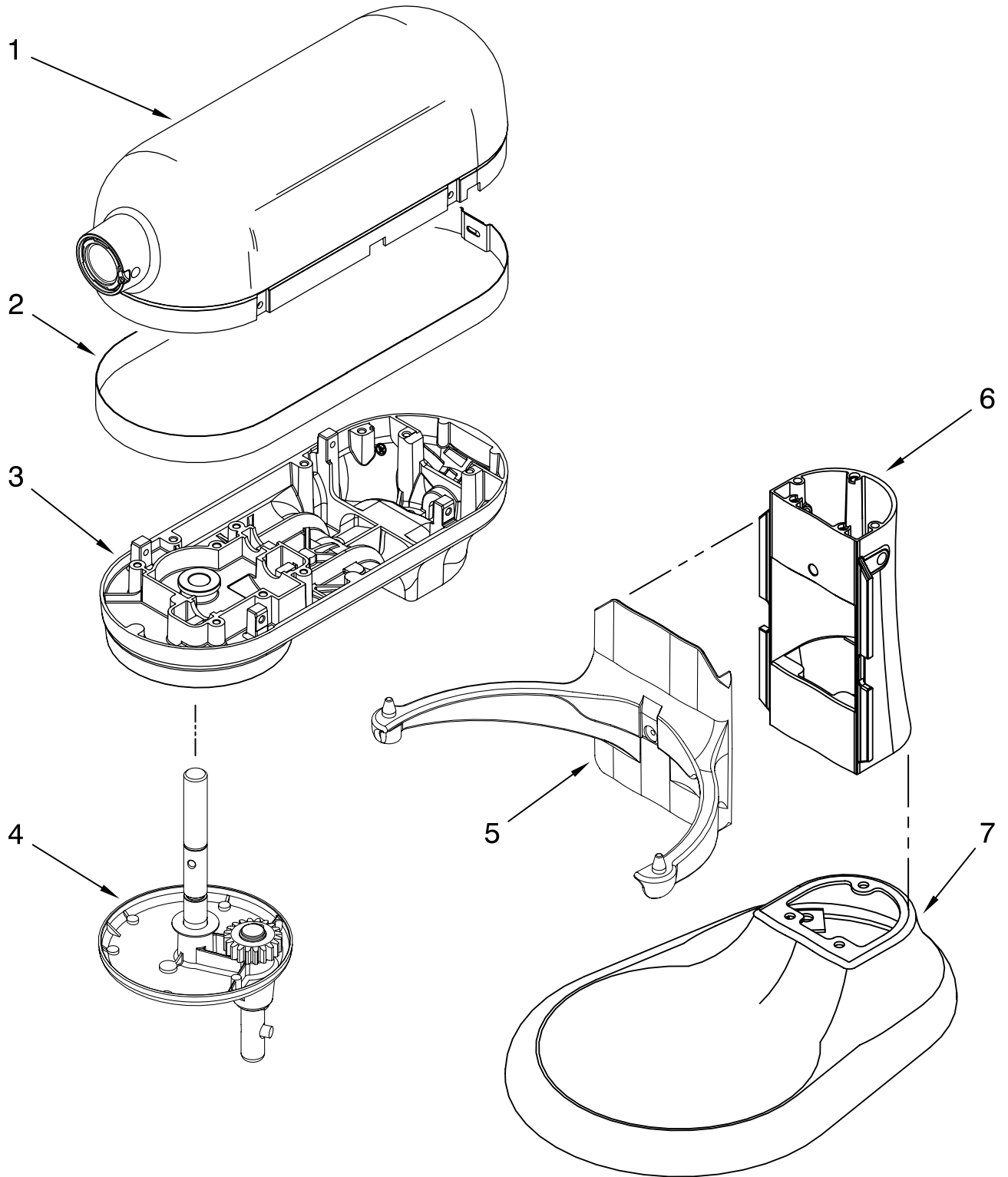


KITCHENAID

ST. JOSEPH MICHIGAN 49085

COLOR VARIATION PARTS

For Model: KP26M1XA_5



FOR ORDERING INFORMATION REFER TO PARTS PRICE LIST

COLOR VARIATION PARTS

For Model: KP26M1XA__5

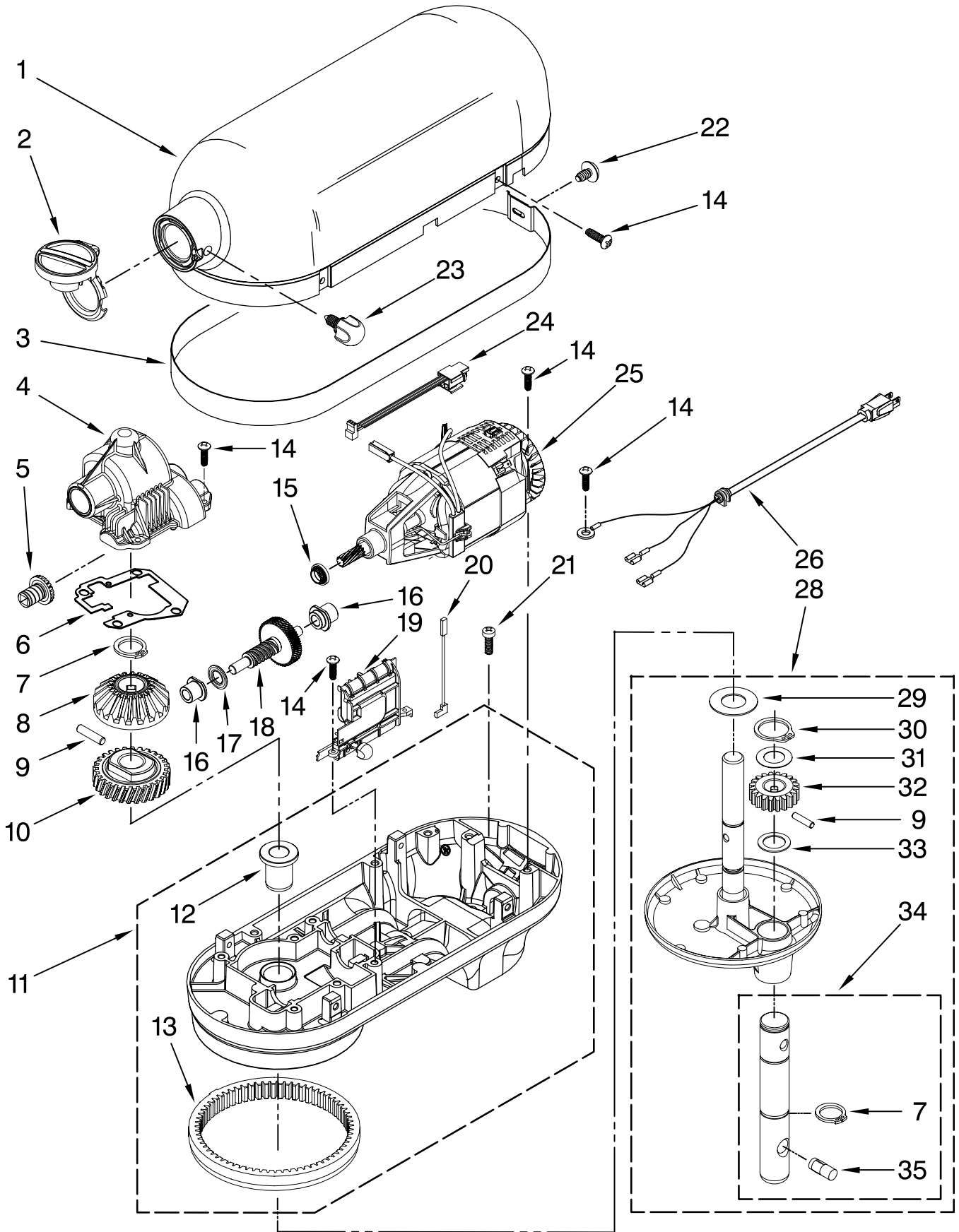
Illus. No.	Part No.	DESCRIPTION
1		Motor Housing
	W10171605	Cocoa Silver
2		Trim Band
	W10171603	Dark Platinum
3		Lower Gearcase
	W10171612	Cocoa Silver
4		Planetary
	W10171609	Cocoa Silver
5		Bowl Support and Pins
	W10171616	Cocoa Silver
6		Column and Pins
	W10171619	Cocoa Silver
7		Base & Foot Assembly
	W10171622	Cocoa Silver

Colors Subject To Change.
Any Color Not Listed is
No Longer Available.
If Additional Colors Are Added,
This Page Will Be Updated.

FOR ORDERING INFORMATION REFER TO PARTS PRICE LIST

CASE, GEARING AND PLANETARY UNIT

For Model: KP26M1XA_5



FOR ORDERING INFORMATION REFER TO PARTS PRICE LIST

CASE, GEARING AND PLANETARY UNIT

For Model: KP26M1XA_5

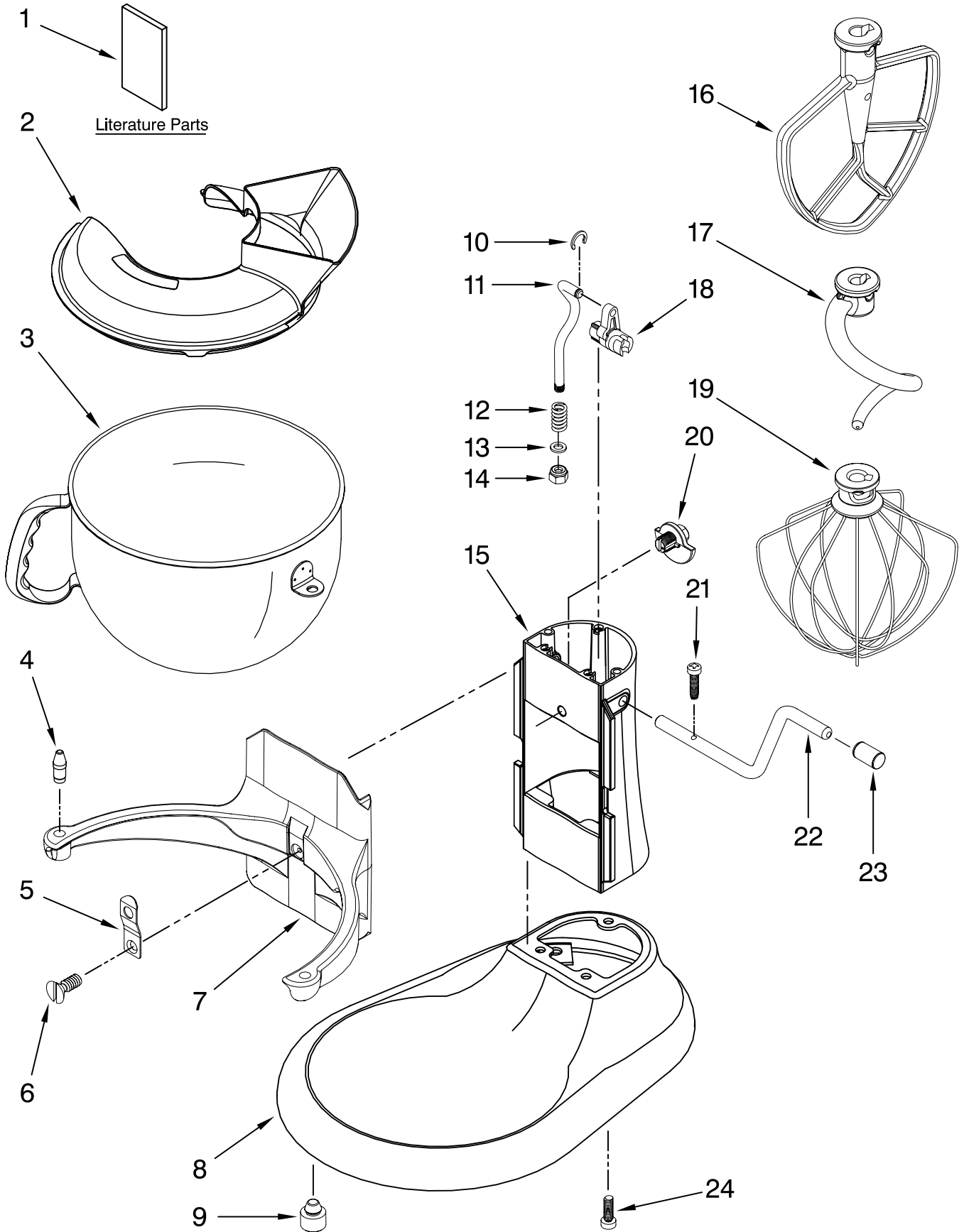
Illus. No.	Part No.	DESCRIPTION
1	**	Gearcase Motor Housing
2	W10163647	Cap, Attachment Hub, Hinged
3	**	Band, Trim
4	9709125	Transmission Housing
5	9703338	Gear, Attachment Hub Level
6	9709511	Gasket, Transmission Cover
7	9703680	Clip, Retaining
8	9703337	Gear, Bevel
9	9707223	Pin, Retaining
10	9706529	Gear, Worm Follower
11	**	Lower Gearcase
12	16897	Bearing, Lower Center
13	9703339	Gear, Internal
14	3400814	Screw
15	9706247	Seal, Motor Shaft
16		Bearing
	W10170080	Front
	W10170081	Rear
17	9703445	Bearing, Thrust
18	9709231	Gear, Worm
19		Control Assembly
	9706648	Black Knob
20	9706036	Lead, Motor to Control
21	3400200	Screw
22	3400617	Screw
23		Thumb Screw
	9709194	Black
24	9703312	Sensor, Hall Effect
25	9707507	Motor (10 Tooth)
26		Cord, Power
	W10164888	Black
28	**	Planetary Assembly
29	9703434	Washer, Fiber
30	9703438	Clip, Retaining
31	9706090	Washer
32	9707627	Gear, Pinion
33	8533910	Washer
34	9708191	Shaft, Agitator
35	9704677	Pin, Groove

**Refer To Page 3
Color Variation Parts

FOR ORDERING INFORMATION REFER TO PARTS PRICE LIST

BASE AND PEDESTAL UNIT

For Model: KP26M1XA_5



FOR ORDERING INFORMATION REFER TO PARTS PRICE LIST

BASE AND PEDESTAL UNIT

For Model: KP26M1XA__5

Illus. No.	Part No.	DESCRIPTION
1		Literature Parts Use & Care Guide
	9708307	U.S.
	W10270805	Repair Parts List
2	9709924	Shield, Pouring
3	W10111702	Bowl, 6 Qt.
4	240185	Pin, Bowl Locating
5	9703474	Latch, Bowl Spring
6	3400018	Screw
7	**	Bowl Support
8	**	Base and Foot Assembly
9	9708649	Foot, Rubber
10	9703307	Clip
11	9706787	Rod, Bowl Lift
12	9237	Spring
13	9703439	Washer
14	8533907	Nut
15	**	Column Assembly
16	9703485	Beater, Flat
17	9703655	Hook, Dough
18	9706885	Arm, Bowl Lift
19	9703491	Whip, Wire
20	9703426	Cam, Adjusting
21	3400863	Screw
22	9706788	Handle, Bowl Lift
23	9703698	Handle
24	3400200	Screw

**Refer To Page 3
Color Variation Parts

FOR ORDERING INFORMATION REFER TO PARTS PRICE LIST

ACCESSORY PARTS

For Model: KP26M1XA__5

Illus. No.	Part No.	DESCRIPTION
	4164778	Mixer Attachment Pak (Includes Food Grinder (FG-A), Food Strainer (FVSP), And Vegetable Slicer, (RVS-A) (FPP-A)
	4164749	Food Grinder (FG-A)
	8211924	Grain Mill (KGMA)
	4164768	Pasta Maker And Food Grinder (Includes SNP Pasta Maker Plates) (SN/FG-A)
	4164775	Fruit/Vegetable Strainer Parts (Use With FG-A Model Only) (FVSP)
	4164750	Rotor Slicer/Shredder (With 4 Standard Cones) Fine Shredder, Coarse Shredder, Thick Slicer, And Thin Slicer (RVS-A)
	4164824	Pasta Maker Plates (SNP-A)
	4164774	Fruit/Vegetable Strainer And Food Grinder (FVS/FG-A)
	4162838	Food Tray (FT)
	4164748	Juicer (JE)
	4164747	Can Opener (CO)
	4164803	Sausage Stuffer Kit (SSA)
	4160588	Grease, Planetary
	9707963	Ice Cream Maker (KICA0WH0)

FOR ORDERING INFORMATION REFER TO PARTS PRICE LIST