

PARTS LIST

for

KitchenAid®

ARTISAN 2-SLICE TOASTER

INTERNATIONAL MODELS:

5KTT780APM1 (Pearl Metallic – Australia)
5KTT780AWH1 (White – Australia)
5KTT780AOB1 (Onyx Black – Australia)
5KTT780AER1 (Empire Red – Australia)
5KTT780BPM1 (Pearl Metallic – UK)
5KTT780BAC1 (Almond Creme – UK)
5KTT780BOB1 (Onyx Black – UK)
5KTT780BER1 (Empire Red – UK)
5KTT780EPM1 (Pearl Metallic – Europe)
5KTT780EWH1 (White – Europe)
5KTT780EAC1 (Almond Creme – Europe)
5KTT780EOB1 (Onyx Black – Europe)
5KTT780EER1 (Empire Red – Europe)
5KTT780SPM1 (Pearl Metallic – Swiss)
5KTT780SOB1 (Onyx Black – Swiss)

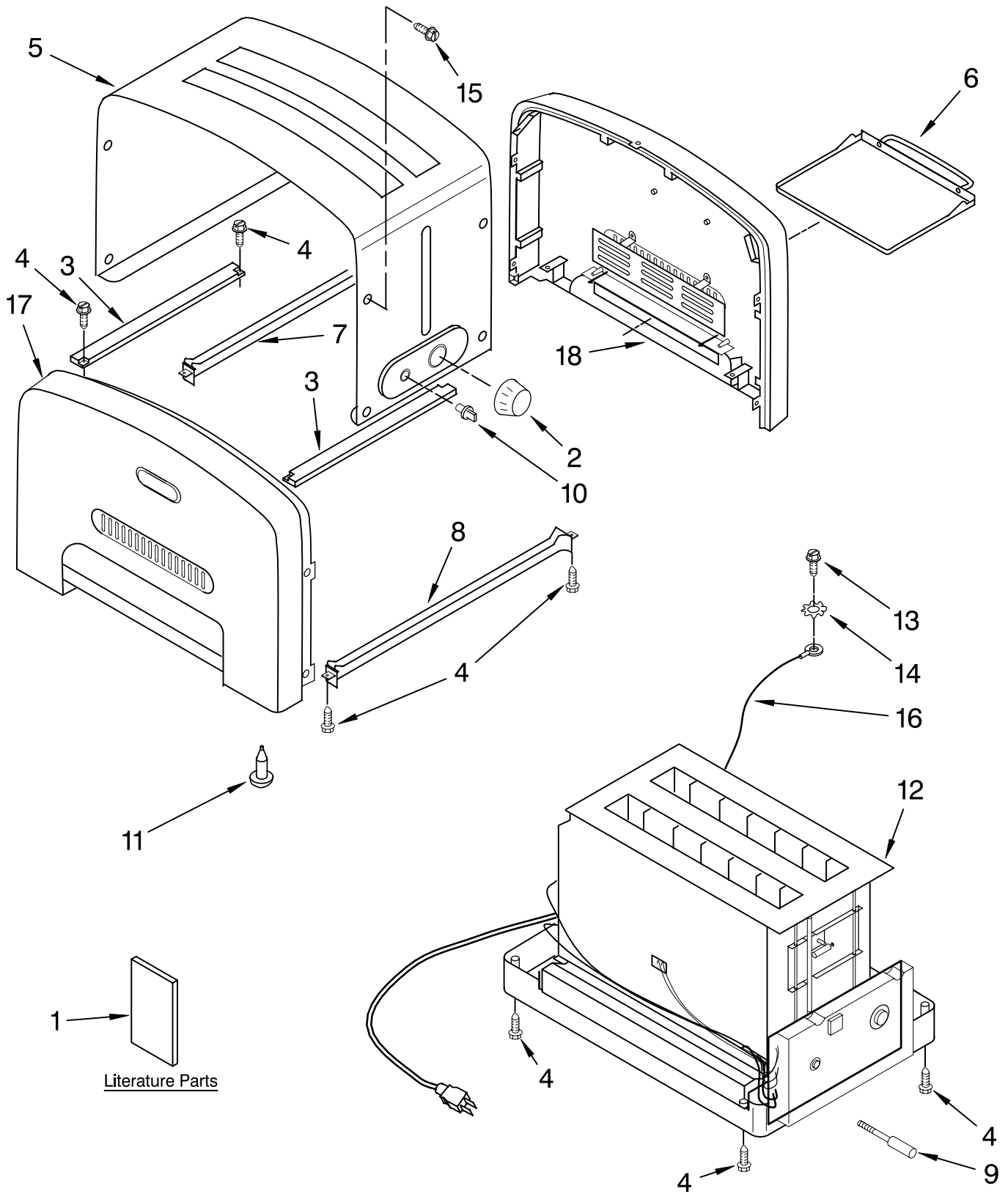


FOR CUSTOMER SATISFACTION ALWAYS USE
FACTORY SPECIFICATION PARTS



HOUSING PARTS

For Models: 5KTT780__1



FOR ORDERING INFORMATION REFER TO PARTS PRICE LIST

HOUSING PARTS

For Models: 5KTT780__1

Illus. No.	Part No.	DESCRIPTION	
1	8204568	Literature Parts Guide, Use & Care	
	8212168	Repair Parts List	
2	4176839	Knob, Darkness	
3	4176737	Support	
4	4176831	Screw	
5	4176747	Wrap Assembly (Includes Items 2 & 10)	
6	4176814	Tray, Crumb	
7		Bridge, Rear	
	4176742	Pearl Metallic	
	4176743	Empire Red	
	8212174	White	
	8212178	Onyx Black	
8	8212182	Almond Creme	
		Bridge, Front	
	4176738	Pearl Metallic	
	4176739	Empire Red	
	8212171	White	
9	8212175	Onyx Black	
	8212179	Almond Creme	
	4176832	Arm, Lifter	
10	4176838	Knob, On/Off	
11	4176837	Foot, Rubber	
12		Chassis (Includes Power Cord, Base, Control Boards, & Heating Elements)	
	8211673	Europe	
	8211674	Swiss	
	8211675	Australia	
	8211676	Britain	
	13	4176829	Screw, Grounding
	14	4176830	Lock Washer
	15	4176828	Screw, Wrap
16	4176840	Wire, Ground	
17		Panel Assembly (Left) (Includes Badge & Vent)	
	8211677	Pearl Metallic	
	8211678	Empire Red	
	8212173	White	
	8212177	Onyx Black	
	8212181	Almond Creme	
	18		Panel Assembly (Right) (Includes Badge & Vent)
		4176833	Pearl Metallic
4176834		Empire Red	
8212172		White	
8212176		Onyx Black	
8212180		Almond Creme	

FOR ORDERING INFORMATION REFER TO PARTS PRICE LIST