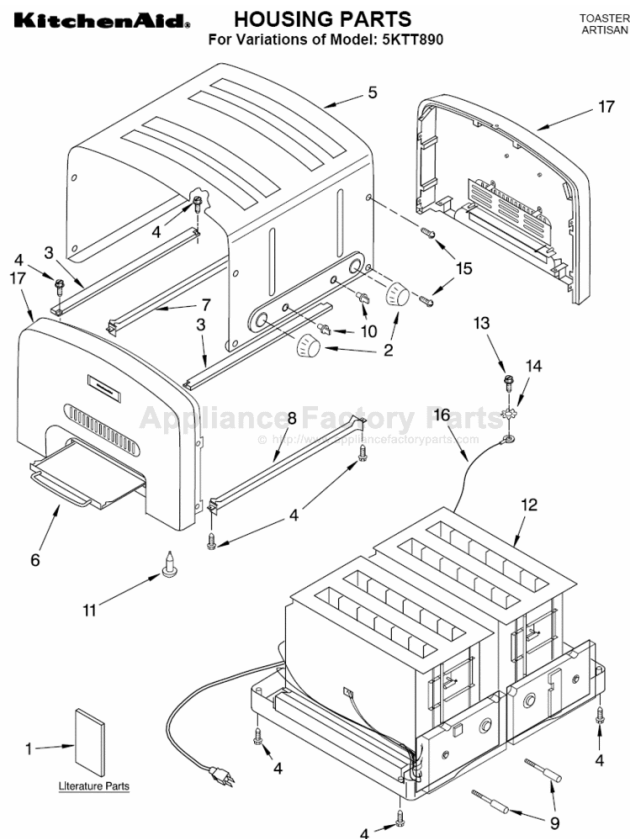


This Owner's Manual is provided and hosted by [Appliance Factory Parts](http://ApplianceFactoryParts.com).



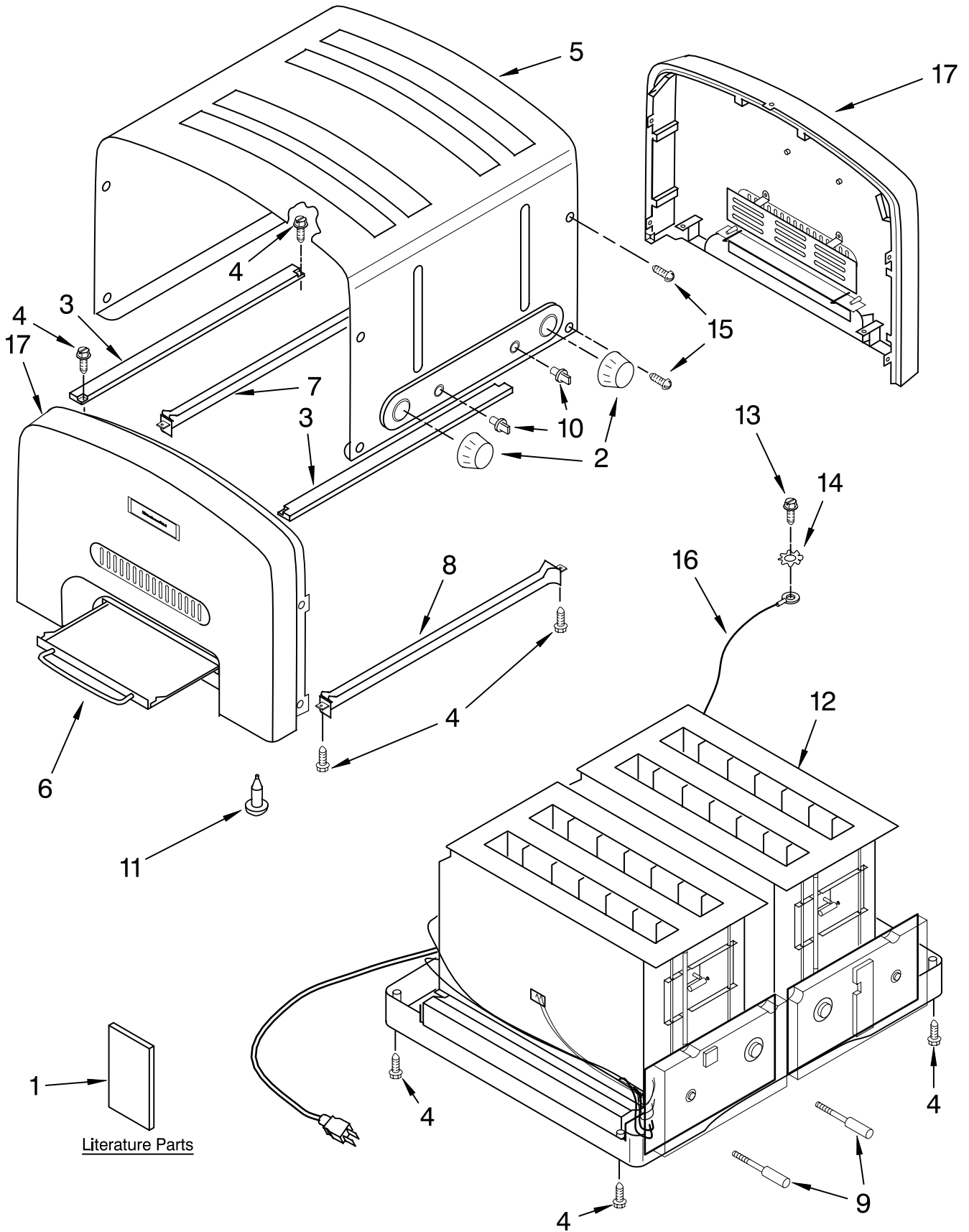
# KITCHENAID 5KTT890 Owner's Manual

[Shop genuine replacement parts for KITCHENAID  
5KTT890](#)



[Find Your KITCHENAID Small Appliance Parts - Select From 538 Models](#)

----- Manual continues below -----



FOR ORDERING INFORMATION REFER TO PARTS PRICE LIST

# HOUSING PARTS

## For Variations of Model: 5KTT890

| Illus.<br>No. | Part<br>No. | DESCRIPTION   |
|---------------|-------------|---|
| 1             |             | Literature Parts  |
|               | 8204568     | Guide, Use & Care   |
|               | 8211952     | Repair Parts List   |
| 2             | 4176839     | Knob, Darkness  |
| 3             | 4176819     | Support   |
| 4             | 4176831     | Screw   |
| 5             | 4176813     | Wrap Assembly<br>(Includes Items<br>2 & 10)   |
| 6             | 4176814     | Tray, Crumb   |
| 7             |             | Bridge, Rear  |
|               | 4176824     | Pearl Metallic  |
|               | 4176825     | Empire Red  |
|               | 4176826     | Tangerine   |
|               | 4176827     | Cobalt Blue   |
| 8             |             | Bridge, Front   |
|               | 4176820     | Pearl Metallic  |
|               | 4176821     | Empire Red  |
|               | 4176822     | Tangerine   |
|               | 4176823     | Cobalt Blue   |
| 9             | 4176832     | Arm, Lifter   |
| 10            | 4176838     | Knob, On/Off  |
| 11            | 4176837     | Foot, Rubber  |
| 12            |             | Chassis<br>(Includes Power<br>Cord, Base,<br>Control Boards, &<br>Heating Elements) |
|               | 4176809     | Europe  |
|               | 4176810     | Swiss   |
|               | 4176811     | Australia   |
|               | 4176812     | Britain   |
| 13            | 4176829     | Screw, Grounding  |
| 14            | 4176830     | Lock Washer   |
| 15            | 4176828     | Screw, Wrap   |
| 16            | 4176840     | Wire, Ground  |
| 17            |             | Panel Assembly<br>(Includes Badge &<br>Vent)  |
|               | 4176833     | Pearl Metallic  |
|               | 4176834     | Empire Red  |
|               | 4176835     | Tangerine   |
|               | 4176836     | Cobalt Blue   |

FOR ORDERING INFORMATION REFER TO PARTS PRICE LIST