

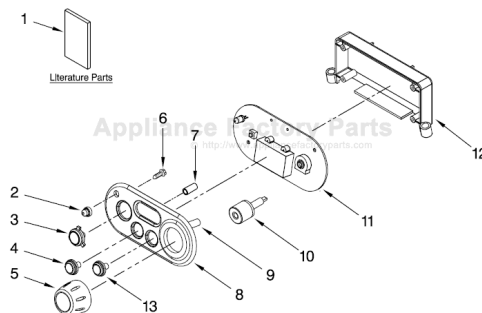
This Owner's Manual is provided and hosted by [Appliance Factory Parts](http://ApplianceFactoryParts.com).



# KITCHENAID 5KWB100EER0 Owner's Manual

[Shop genuine replacement parts for KITCHENAID  
5KWB100EER0](#)

## CONTROL PANEL PARTS For Models: 5KWB100B\_0



[Find Your KITCHENAID Small Appliance Parts - Select From 538 Models](#)

----- Manual continues below -----

# PARTS LIST

for

# **KitchenAid®**

## **EUROPEAN – ARTISAN**

## **WAFFLE BAKER**

### **MODELS:**

**5KWB100EPM0 (Pearl Metallic)**  
**5KWB100EOB0 (Onyx Black)**  
**5KWB100EER0 (Empire Red)**  
**5KWB100EAC0 (Almond Creme)**



**FOR CUSTOMER SATISFACTION ALWAYS USE  
FACTORY SPECIFICATION PARTS**

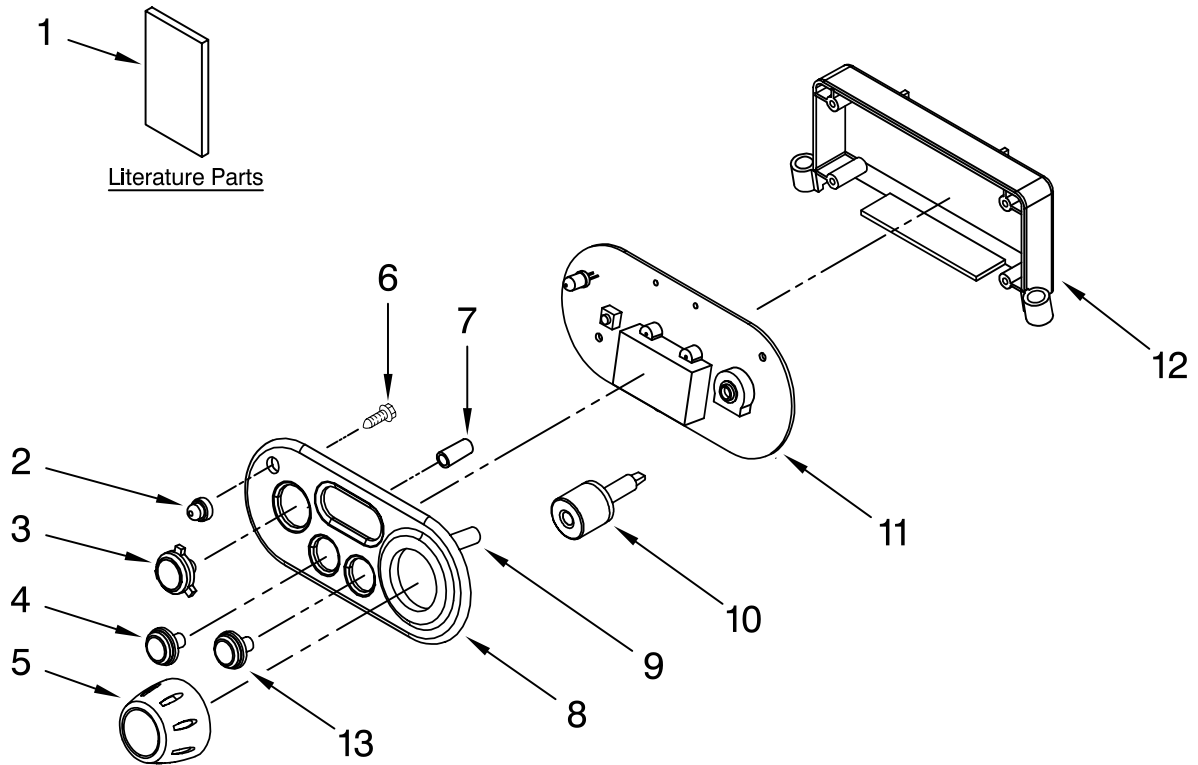


KITCHENAID

ST. JOSEPH MICHIGAN 49085

# CONTROL PANEL PARTS

For Models: 5KWB100E\_\_0

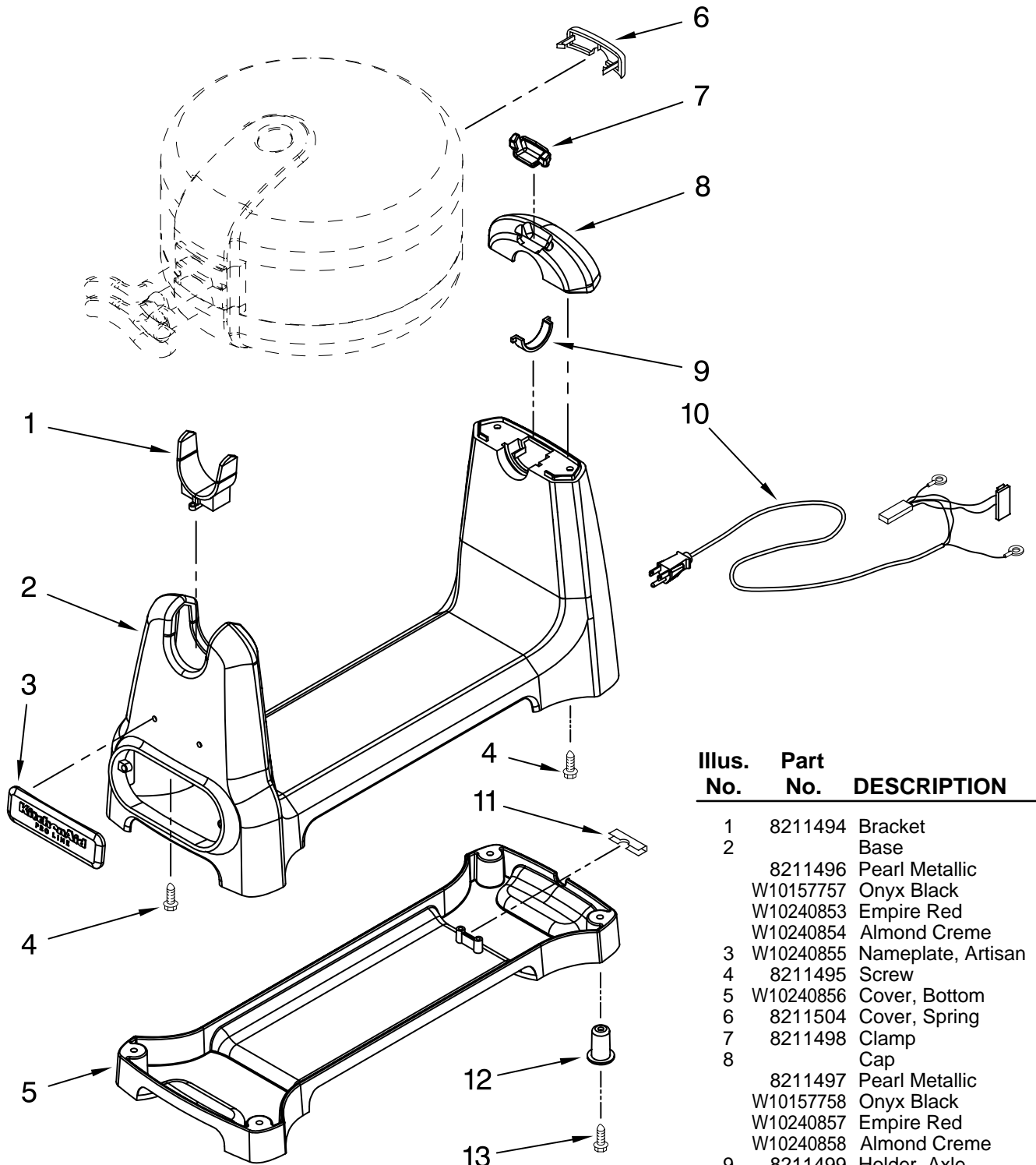


| Illus. No. | Part No.  | DESCRIPTION       |
|------------|-----------|-------------------|
| 1          |           | Literature Parts  |
|            | W10240847 | Guide, Use & Care |
|            | W10204230 | Repair Parts List |
|            | 8204592   | Wiring Diagram    |
| 2          | 8211489   | Lens, Led         |
| 3          | W10240848 | Button, Power     |
| 4          | W10240849 | Button, Start     |
| 5          | W10240850 | Knob              |
| 6          | 8211490   | Screw             |
| 7          | 8211508   | Cover, Button     |
| 8          | W10240851 | Bezel             |
| 9          | 8211514   | Spring            |
| 10         | 8211513   | Bracket, Knob     |
| 11         | W10314348 | MCU PCB Assembly  |
| 12         | 8211493   | Holder, PCB       |
| 13         | W10240852 | Button, Reset     |

FOR ORDERING INFORMATION REFER TO PARTS PRICE LIST

# CRADLE PARTS

For Models: 5KWB100E\_0



| Illus. No. | Part No.  | DESCRIPTION                                 |
|------------|-----------|---|
| 1          | 8211494   | Bracket                                     |
| 2          |           | Base  |
|            | 8211496   | Pearl Metallic                              |
|            | W10157757 | Onyx Black                                  |
|            | W10240853 | Empire Red                                  |
|            | W10240854 | Almond Creme                                |
| 3          | W10240855 | Nameplate, Artisan                          |
| 4          | 8211495   | Screw                                       |
| 5          | W10240856 | Cover, Bottom                               |
| 6          | 8211504   | Cover, Spring                               |
| 7          | 8211498   | Clamp                                       |
| 8          |           | Cap   |
|            | 8211497   | Pearl Metallic                              |
|            | W10157758 | Onyx Black                                  |
|            | W10240857 | Empire Red                                  |
|            | W10240858 | Almond Creme                                |
| 9          | 8211499   | Holder, Axle                                |
| 10         | W10240859 | Cord, Power<br>(Incl. Mov Board<br>and PCB) |
| 11         | 8211503   | Clamp, Cord                                 |
| 12         | 8211501   | Foot  |
| 13         | 8211502   | Screw                                       |

FOR ORDERING INFORMATION REFER TO PARTS PRICE LIST