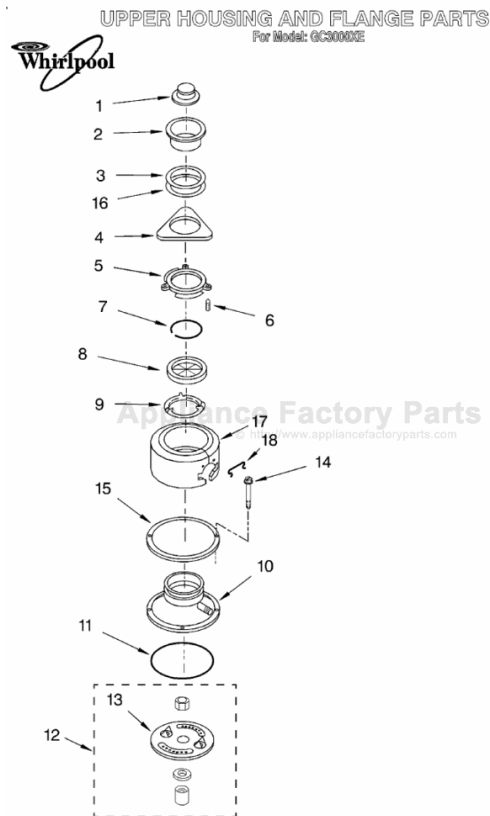


This Owner's Manual is provided and hosted by Appliance Factory Parts.



WHIRLPOOL GC3000XE Owner's Manual

[Shop genuine replacement parts for WHIRLPOOL
GC3000XE](#)



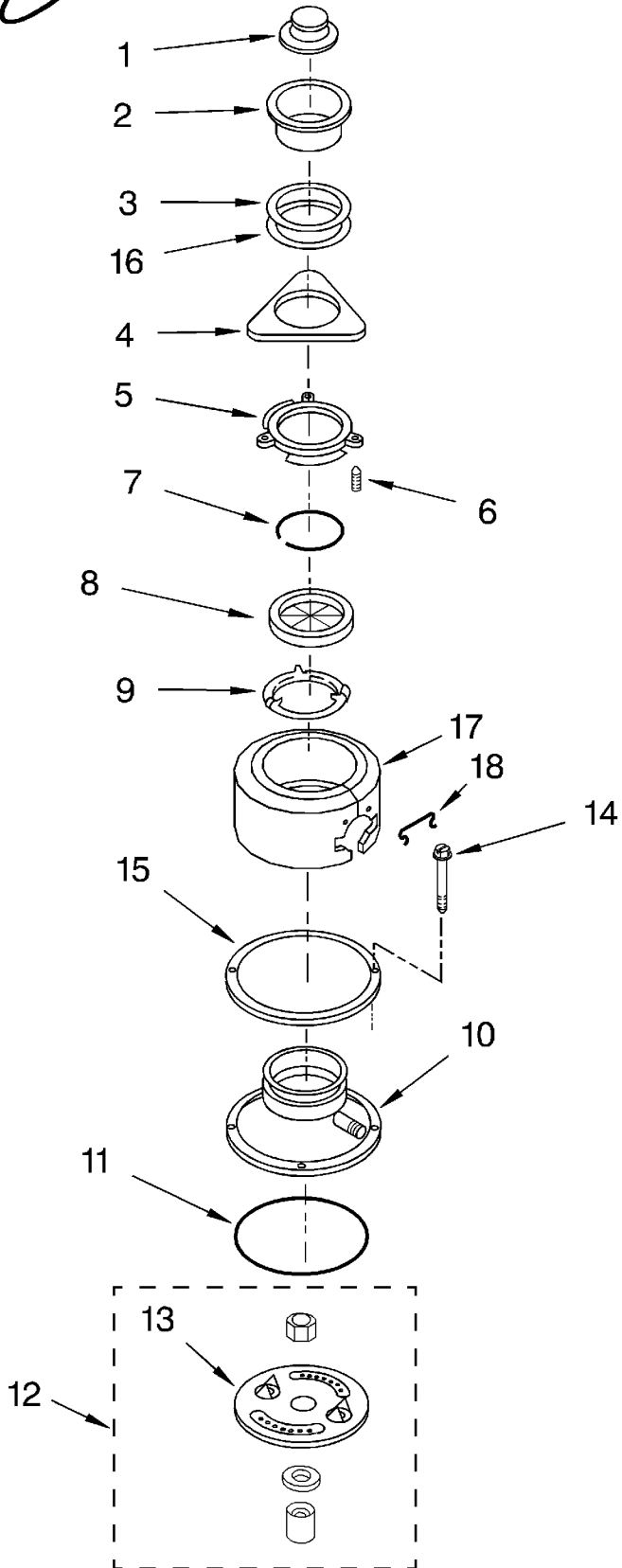
[Find Your WHIRLPOOL Disposal Parts - Select From 23 Models](#)

----- Manual continues below -----

UPPER HOUSING AND FLANGE PARTS

For Model: GC3000XE

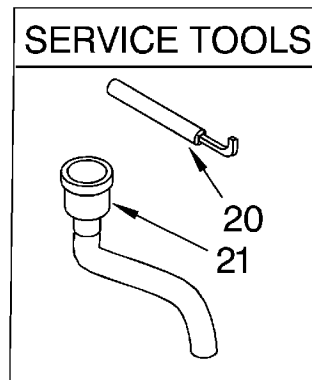
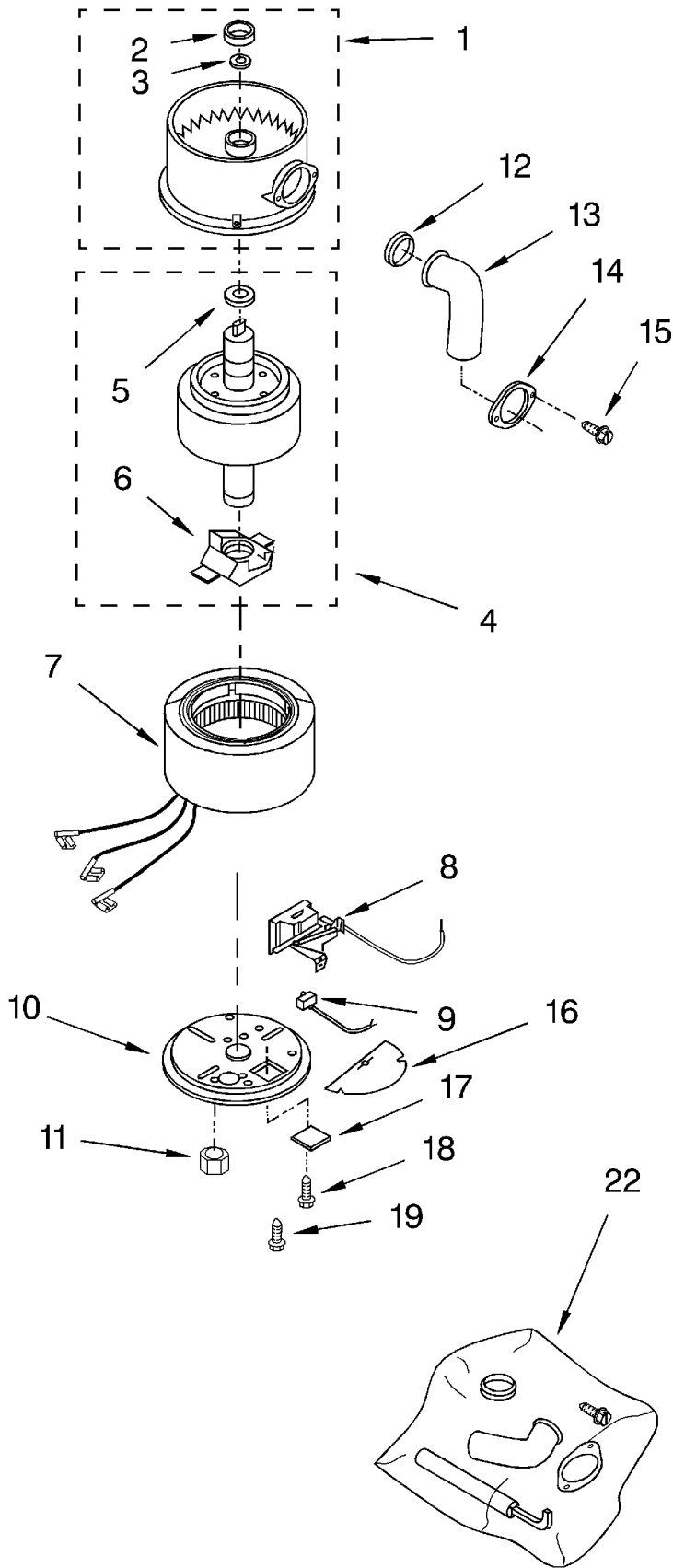
DISPOSER



1	4211300	Stopper Assembly
2	4211605	Flange, Strainer
3	4211606	Seal, Sink Flange
4	4211303	Flange, Backup
5	4211304	Flange, Mounting
6	4211305	Screw, Backup (3)
7	4211306	Ring, Retaining
8	4211615	Gasket, Mounting
9	4211308	Flange, Body
10	4211608	Container, Body Assembly
11	4211310	O-Ring
12	4211578	Kit, Sleeve And Seal (Includes Nut, Slinger, Sleeve & Seal)
13	4211618	Shredder Assembly, Rotating
14	4211518	Bolt, Thru
15	4211607	Ring, Clamping
16	4211302	Seal, Sink Flange
17	4211616	Trim, Shell Assy.
18	4211617	Clip, Trim Shell

LOWER HOUSING AND MOTOR PARTS

For Model: GC3000XE



1	4211609	End Bell Assembly, Upper
2	4211314	Seal, Water & Oil
3	4211315	Washer, Thrust
4	4211320	Rotor & Shaft Assembly
5	4211321	Washer
6	4211322	Actuator Assembly, Centrifugal
7	4211619	Stator Assembly
8	4211324	Switch Assembly, Start
9	4211549	Protector, Overload
10	4211515	End Frame Assembly, Lower
11	4211516	Nut
12	4211316	Gasket, Tailpipe
13	4211317	Tailpipe
14	4211318	Flange, Tailpipe
15	4211319	Screw, Tailpipe
16	4211326	Shield, Wire
17	4211611	Cover, Terminal
18	4211612	Screw, Terminal Cover
19	4211330	Screw, Ground
20	4211397	Wrench, Emergency
21	4211396	Adapter, Sink
22	4211564	Kit, Installation (Includes # 12, 13, 14, 15, 20, Instructions and Use and Care Guide)

LITERATURE PARTS

LIT4211620	Guide, Use And Care
LIT4211614	Instructions, Installation