

This Owner's Manual is provided and hosted by [Appliance Factory Parts](#).



WHIRLPOOL BFD300 Owner's Manual

[Shop genuine replacement parts for WHIRLPOOL
BFD300](#)

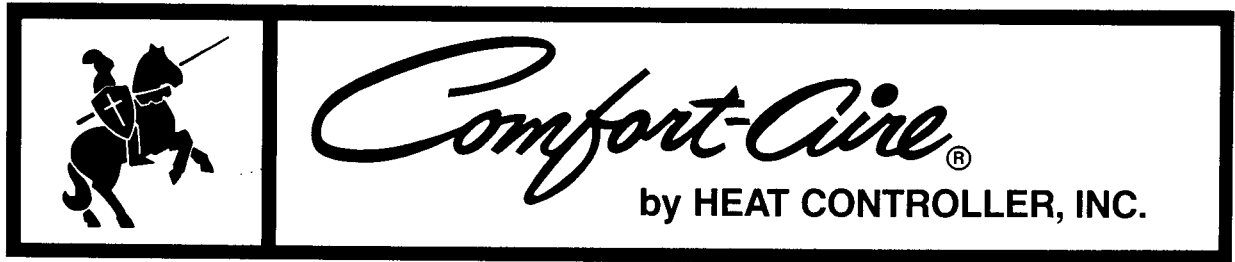


[Find Your WHIRLPOOL Dehumidifier Parts - Select From 309 Models](#)

----- Manual continues below -----

PARTS LIST

for



DEHUMIDIFIER

MODEL

D-20-0

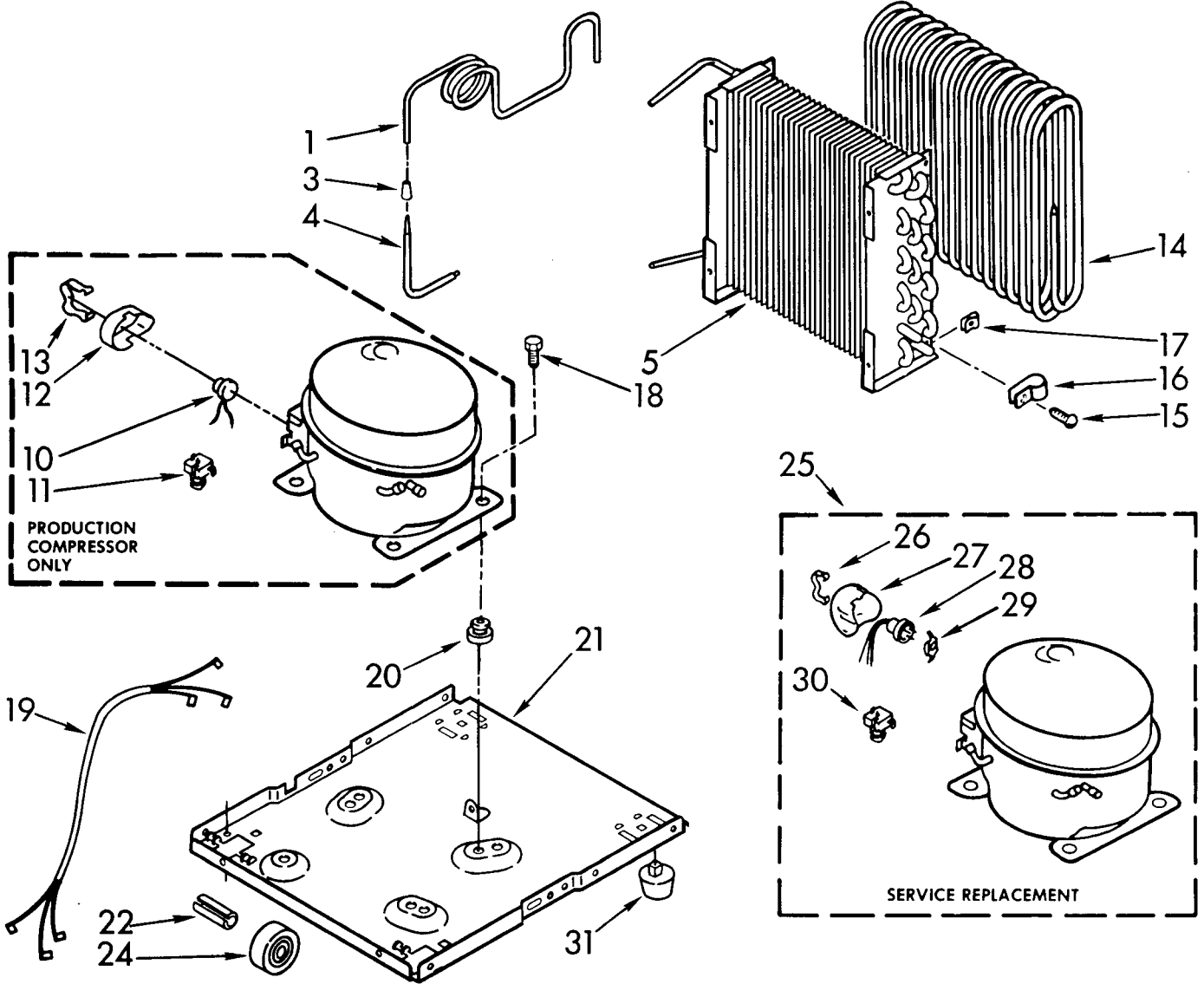


FOR CUSTOMER SATISFACTION ALWAYS USE
FACTORY SPECIFICATION PARTS



UNIT PARTS

For Model: D-20-0



FOR ORDERING INFORMATION REFER TO PARTS PRICE LIST

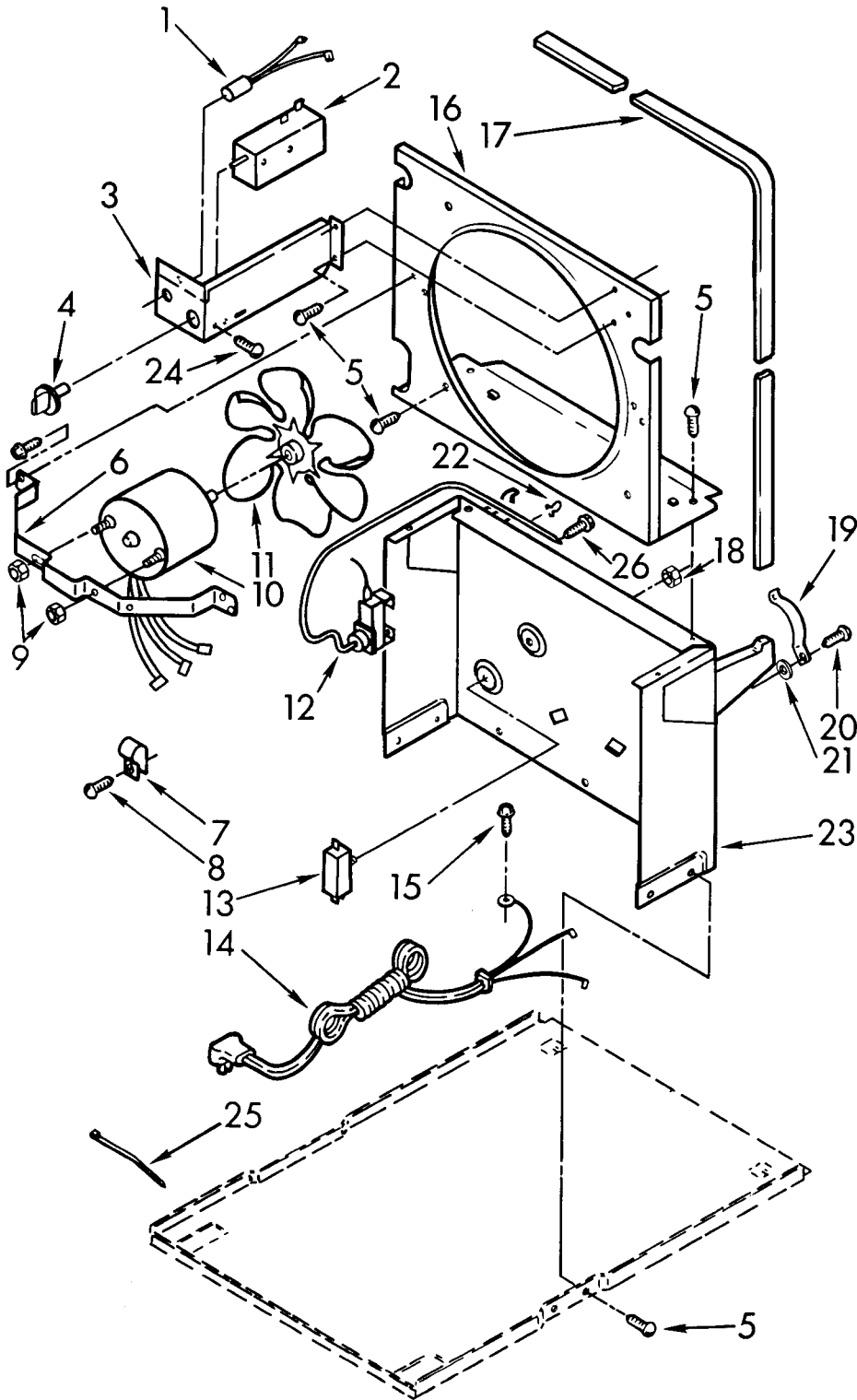
UNIT PARTS

For Model: D200

ILL NO.	PART NO.	DESCRIPTION
1	1157397	Tube, Restrictor (Length 35.0")
3	474013	Strainer, Tube
4	1159239	Tube, Outlet (Includes Item 3)
5	1159671	Condenser
10	1159668	Overload, Protector
11	758637	Relay, Start
12	1157582	Cover, Terminal
13	938384	Retainer, Cover
14	1157554	Evaporator
15	487910	Screw, 8 x 3/8 (4)
16	488946	Clamp, Tube (4)
17	486197	Nut, Speed (4)
18	488400	Screw, 1/4-28 x 1" (4)
19	484136	Harness, Wire
20	1156748	Grommet (4)
21	1157584	Base
22	489015	Roll Pin (2)
24	998726	Roller (2)
25	485780	Compressor, Service (Complete Assembly)
26	549342	Retainer, Cover
27	549336	Cover, Terminal
28	649833	Overload, Protector
29	549086	Spring, Overload
30	549339	Relay
31	951886	Glide (2)

AIR FLOW AND CONTROL PARTS

For Model: D-20-0



FOR ORDERING INFORMATION REFER TO PARTS PRICE LIST

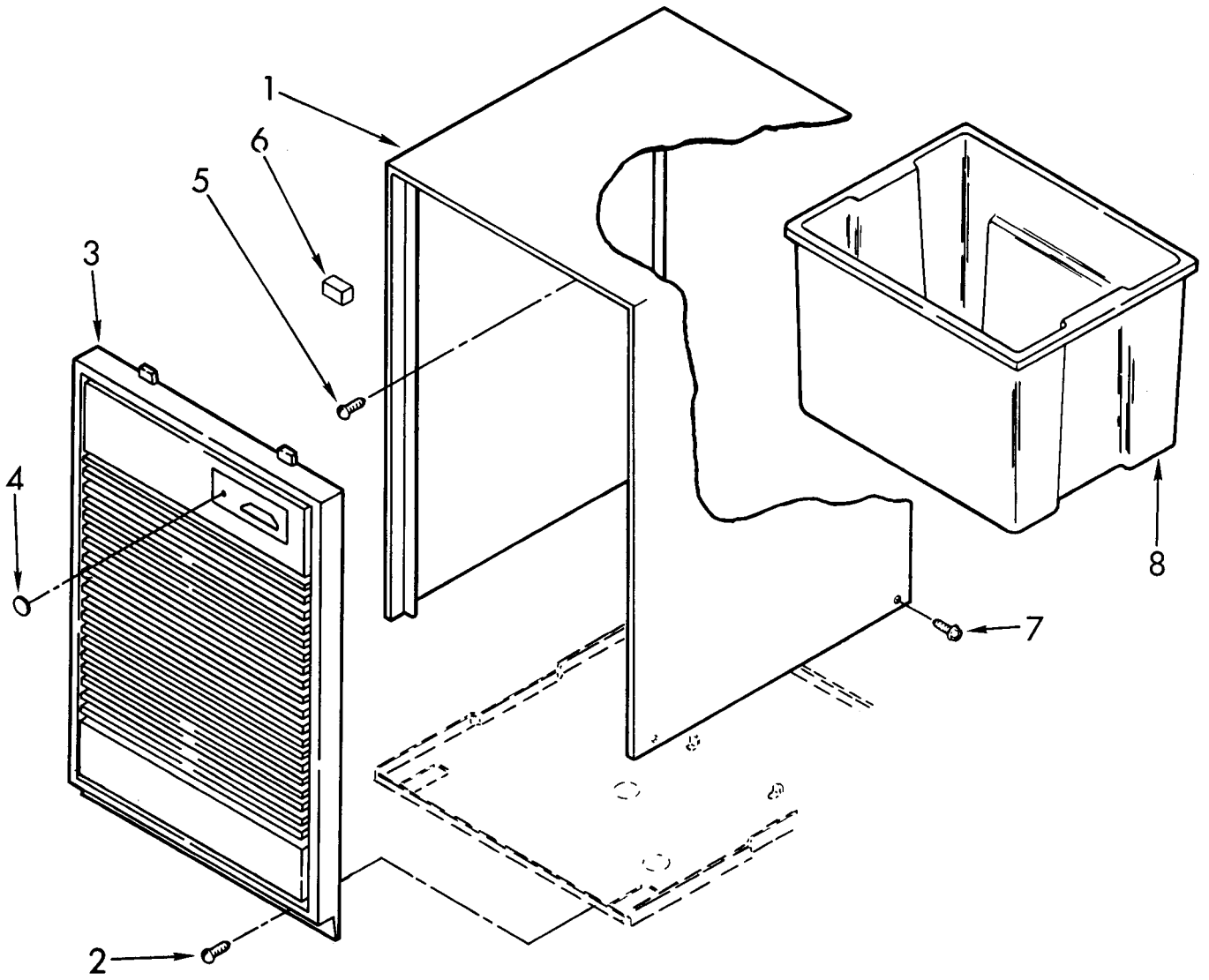
AIRFLOW AND CONTROL PARTS

For Model: D200

ILL NO.	PART NO.	DESCRIPTION
1	1155666	Light, Indicator
2	1155848	Humidistat, Control
3	951285	Bracket, Control
4	998859	Knob, Humidistat Control
5	488624	Screw, SM 8 x 3/8
6	998777	Bracket, Fan Motor Mounting
7	488946	Clamp, Tube
8	487910	Screw, 8 x 1/2A
9	488130	Nut, Fan Motor 8-32 (2)
10	1156859	Motor, Fan
11	949645	Blade, Fan
12	1155109	Thermostat, De-Icer
13	999747	Switch, Water Level Control
14	1155670	Cord, Appliance
15	487871	Screw, 8-32 x 5/32
16	998779	Plate, Orifice
17	998802	Seal
18	489001	Palnut, 3/8-32
19	998730	Spring, Water Level
20	488248	Screw, SM 8 x 3/4A
21		Washer, Repair
	489083	.030 Thickness
	489091	.045 Thickness
	489029	.060 Thickness
22	471363	Clamp, Tube To Evaporator Mtg (2)
23	998744	Support
24	145450	Screw, 8 X 1/4
25	602851	Tie, Cable (3)
26	488234	Screw, 8-32 x 1/4 (2)

CABINET PARTS

For Model: D-20-0



FOR ORDERING INFORMATION REFER TO PARTS PRICE LIST

CABINET PARTS

For Model: D200

ILL NO.	PART NO.	DESCRIPTION
1	998821	Cabinet
2	489120	Screw, 8-32 x 1/4 (2)
3	1160159	Grille, Front
4	998846	Light Lens
5	489073	Screw, SM 8 x 3/8A
6	948584	Spacer, Grille
7	1158781	Screw
8	951901	Pan, Condensate

Following Parts Not Illustrated and Optional Parts Not Included

646753	Cup, Condensate Pan
647338	Washer, Condensate Pan
485426	Lacquer, Starlight Gray (1/2 Pt. Uncut)
799833	Epoxy, Tube (Aluminum Repair)
505168	Tape, No Drip (30') Valve, Access
978025	1/4" Tube O.D.
978026	5/16" Tube O.D.
978027	3/8" Tube O.D.
978028	1/2" Tube O.D.
978029	5/8" Tube O.D.
978030	3/4" Tube O.D.
978865	Seal, Ring Access Valve (20 - Pack)
212643	Permagum, Sealer (4 - 12" Strips)

Literature Parts

LIT1160160	Sheet, Tech
LIT1160157	Manual, Owners
LIT1160263	Diagram, Wiring
LIT1160152	List, Repair Parts