

This Owner's Manual is provided and hosted by [Appliance Factory Parts](#).



# WHIRLPOOL AR1800XT0 Owner's Manual

[Shop genuine replacement parts for WHIRLPOOL  
AR1800XT0](#)



[Find Your WHIRLPOOL Air Conditioner Parts - Select From 1257 Models](#)

----- Manual continues below -----

**IMPORTANT:  
Read and save  
these instructions.**

**IMPORTANT**

**Installer:** Leave Installation Instructions with the homeowner.

**Homeowner:** Keep Installation Instructions for future reference.

**Save** Installation Instructions for local electrical inspector's use.

## Air Conditioner

7/93

# Before you start...

Proper installation is your responsibility. Make sure you have everything necessary for correct installation. It is the customer's responsibility to comply with the Installation specifications provided.

**Grounded electrical outlet** within reach of the power supply cord is required. See Electrical requirements.

**⚠ WARNING**

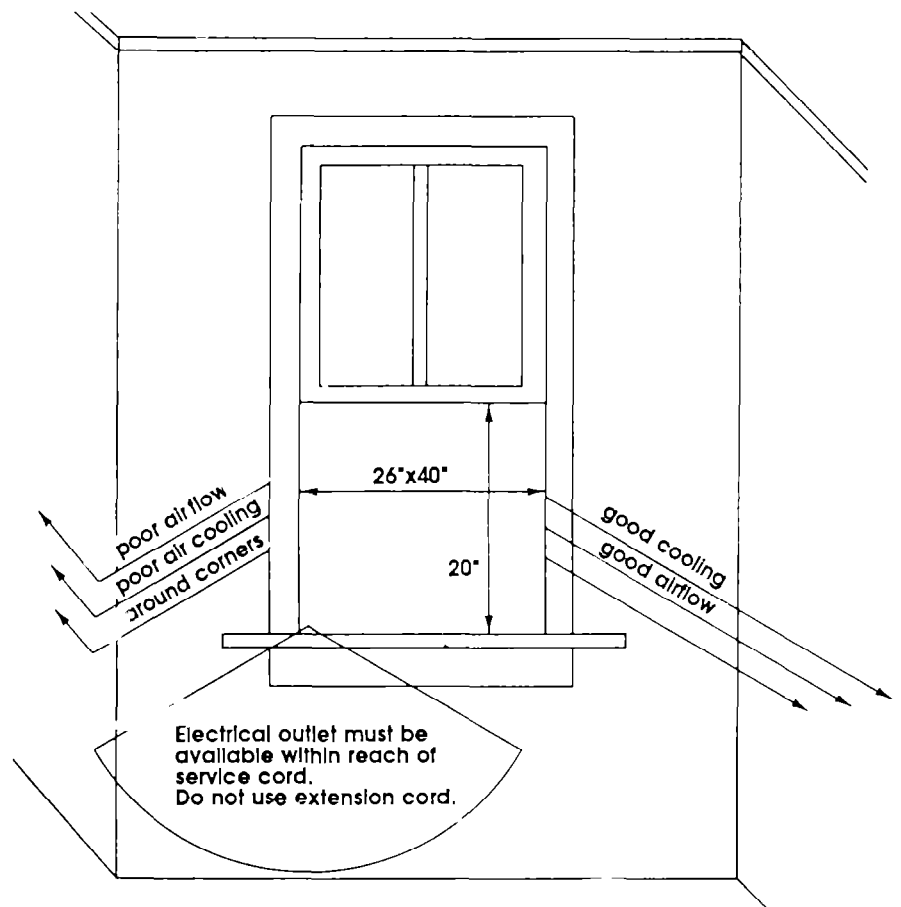
**Electrical Shock Hazard**

It is the customer's responsibility:

- To contact a qualified electrical installer.
- To assure that electrical installation is adequate and in conformance with National Electrical Code, ANSI/NFPA 70-latest edition and local codes and ordinances.

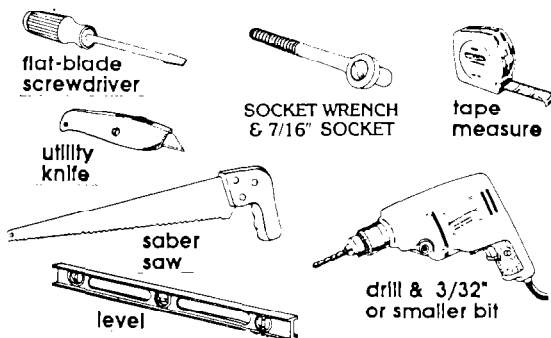
Check location where air conditioner will be installed. The location should provide:

- A window large enough,
- Adequate wall support for weight of air conditioner,
- An electrical outlet within reach of service cord.
- Free movement of air to rooms to be cooled.



**Important: Observe all governing codes and ordinances.**

## Tools and materials needed for installation:



Through-the-wall installations:

wood preservative

10, #10x1" screws

## Parts supplied for installation:

## Electrical requirements

**⚠ WARNING**

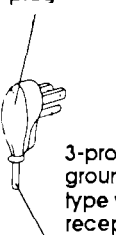
**Electrical Shock Hazard**

- Electrical ground is required on this appliance.
- Improper connection of the equipment-grounding conductor line can result in electrical shock.
- Check with a qualified electrician if you are in doubt as to whether the appliance is properly grounded. Do Not modify the plug on the power supply cord. If it will not fit the outlet, have a proper outlet installed by a qualified electrician.
- Do Not use an extension cord with this appliance. Such use may result in a fire, electrical shock or other personal injury.
- Do Not have a fuse in the neutral or grounding circuit.

Spec  
listed  
requi  
the p  
**W**  
rec

### Plug Type

3-prong grounding plug



3-prong ground type v receptacle  
power supply cord

115-volt -

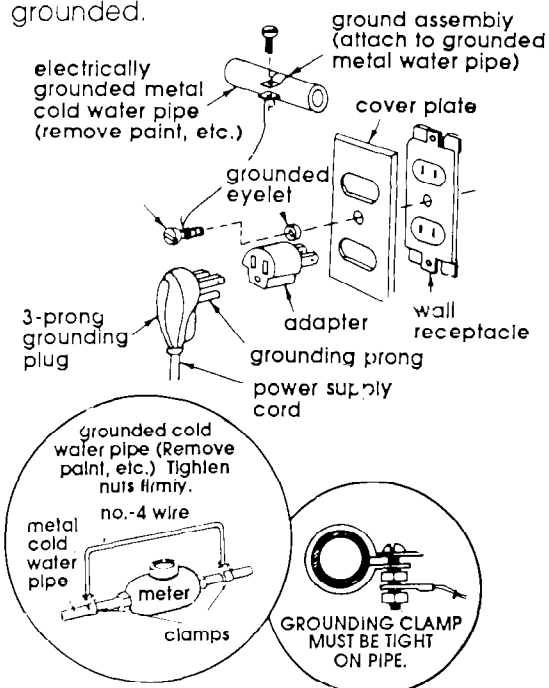
plugged into a mating, 3-prong grounding-type wall receptacle, grounded in accordance with the National Electrical Code, ANSI/NFPA 70-latest edition, and local codes and ordinances. If a mating wall receptacle is not available, it is the personal responsibility and obligation of the customer to have a properly grounded, 3-prong wall receptacle installed by a qualified electrician.

### Temporary grounding method

If changing and properly grounding the wall receptacle is impossible and where local codes permit (consult your electrical inspector), a temporary adapter may be plugged into the existing 2-prong wall receptacle to mate with the 3-prong power supply cord.

THIS, HOWEVER, IS NOT RECOMMENDED.

If this is done, you must connect the grounded eyelet on the adapter to the wall receptacle cover-plate screw. From this same screw, you must connect a separate copper grounding wire (#14 minimum) to a grounded cold water pipe.\* **Do Not ground to a gas supply pipe or hot water pipe.** Do Not connect this appliance until it is permanently grounded.



\* Grounded, cold water pipe must have metal continuity to electrical ground and not be interrupted by plastic, rubber or other electrical insulating connectors (including water meter or pump). Any electrical insulating connector should be jumped as shown with a length of No.-4 copper wire securely clamped to bare metal at both ends.

## Now start...

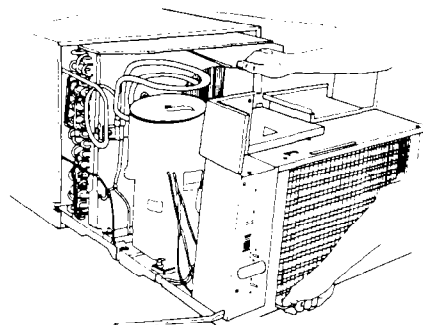
with air conditioner in room where it will be installed.

### WINDOW INSTALLATION

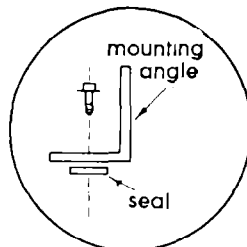
See Panel C for Through-the-wall installation.

## CAUTION

**Floor Damage**  
Remove air conditioner from carton and place on cardboard. Failure to do so may cause damage to floor covering.

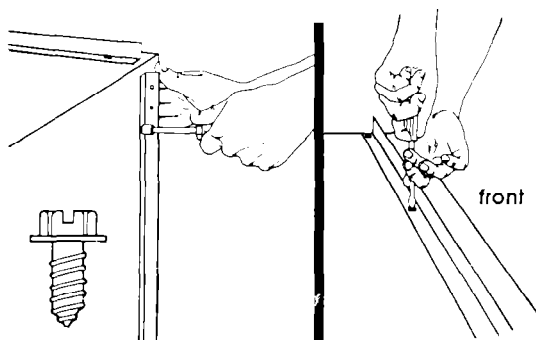


- 3.** Pull out handle; slide air conditioner out of cabinet and place on cardboard.

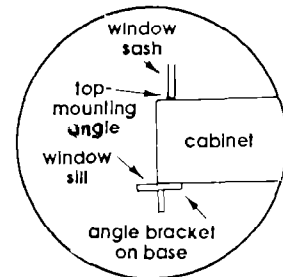
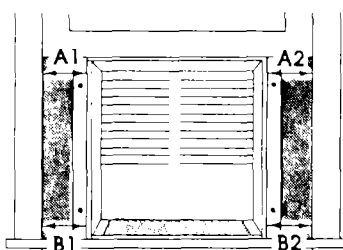


- 4.** Attach 3/8" seal strip to the bottom of the top mounting angle (side with holes).

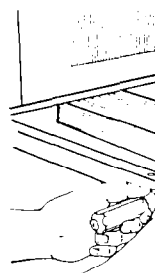
Attach 3/8" seal strip to the bottom of both side mounting angles (side with two holes). Cut strips to length.



- 5.** Place top-mounting angle on cabinet so upright side is toward the front of air conditioner and seal is against cabinet. Attach top-mounting angle with 3, hex-head, metal screws. Repeat with side-mounting angles, attaching with 2, hex-head metal screws.



**8.** board side of

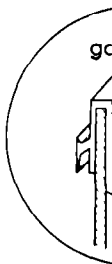


**9.** Attach side-mounting angle to round-



**10** board

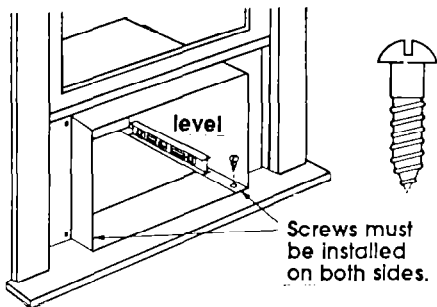
**11** opposite board and attach screws



## CAUTION

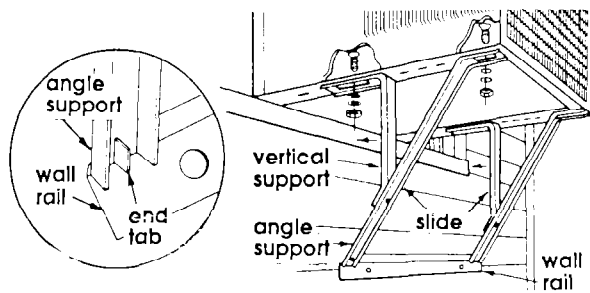
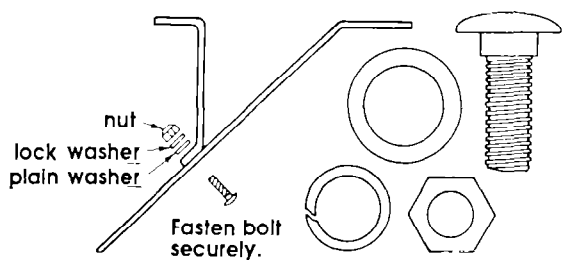
### Floor Damage

Check that air conditioner cabinet is tilted to the outside so that water will run to the outside. Failure to do so may cause damage to floor covering.



**15.** Lower window sash. Place level inside cabinet on the right side. There should be a tilt to the outside of approximately one-half bubble. Place the level on the left side and check.

**16.** Use a 3/32" drill bit to drill starter holes through the holes in the cabinet and into the window sill. Fasten cabinet to the sill with two wood screws.

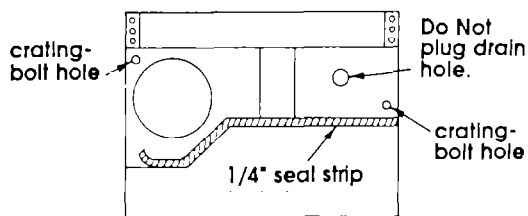


**17.** Secure vertical and angle supports together. Attach supports to bottom of cabinet. **But Do Not tighten bolts at this time.** Attach wall rail to angle supports. Slide each support assembly toward house until wall rail is positioned firmly against wall.

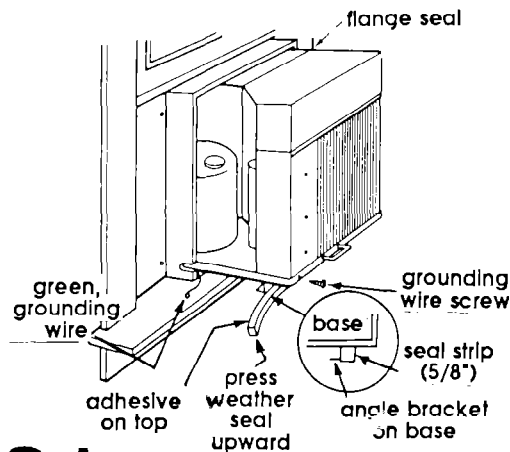
Note: If your house is constructed of material that could be damaged by wall-mounting support, fasten a board between wall rail and house.

**18.** Tighten bolts securely. Tighten angled support bolts last so wall rail fits tightly against house.

## WARNING



**20.** Apply 1/4" seal strip to top of air conditioner flange. Seal crating-bolt holes with gum-type sealer.



**21.** Insert air conditioner three-fourths of the way into cabinet. Apply 5/8" seal strip to front of angle bracket on the bottom of air conditioner.

## WARNING

**Electrical Shock Hazard**  
Grounding wire from the air conditioner must be connected to the cabinet. Failure to do so could result in electrical shock.

**22.** Reattach grounding wire to grounding screw.

**23.** Lift air conditioner slightly and slide it into cabinet. Push handle back into base. Put excess grounding wire between control panel and coil.

**24.** Replace control plate. Push knobs straight on to hold in place.

**25.** Place bottom edge of front panel on clips and push down. Then push panel into cabinet until panel snaps in place.

## THROUGH-THE-WALL INSTALLATION INSTRUCTIONS... FOR SLIDE-OUT CHASSIS MODEL ONLY.

It is the customer's responsibility and obligation to have this product installed by a qualified technician familiar with through-the-wall room air conditioner installations.

appropriate header if required

frame sl  
If the pl  
with the  
used, th  
1/2-inch

use 26-1/2"  
dimension

19-1/2" (In  
allowance  
7/16" flange  
bottom of

**2.** C  
R

**3.** U  
depth o  
Check t  
minimum  
cabinet  
This is rec  
air cond

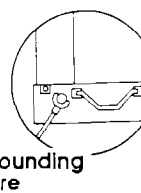
Apply w  
outside

**4.** In  
of  
frame. N  
wall stud

**4**

Remov  
carton  
Failure  
damag

**5.** P  
on card  
panel a  
remove



**6.** Pu  
an  
Loose

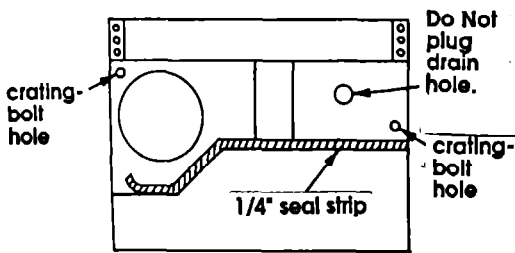
**9.** Place level inside cabinet on the right side. There should be a tilt to the outside of approximately one-half bubble. Place the level on the left side and check.

**10.**

Use the insulation removed in step 2 to seal opening between cabinet and frame.

**11.**

Drill four holes on each side and two through the top of the cabinet into the frame. Use ten #10x1" wood screws to attach cabinet to frame. **Do Not overtighten screws or cabinet will distort and provide a poor air seal between cabinet and air conditioner.**

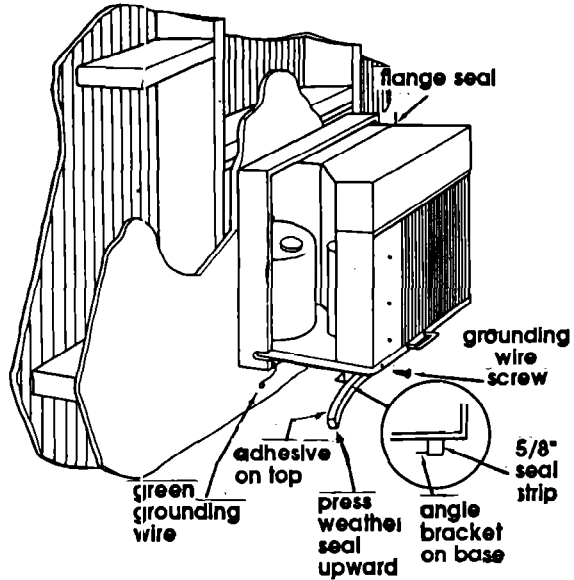


**12.**

Apply 1/4" seal strip to top of air conditioner flange. Seal crating-bolt holes with gum-type sealer.

**! WARNING**

**Electrical Shock Hazard**  
Grounding wire from the air conditioner must be connected to the cabinet.  
Failure to do so could result in electrical shock.



**13.**

Insert air conditioner three-fourths of the way into cabinet. Apply 5/8" seal strip to front of angle bracket on the bottom of air conditioner.

**14.**

Reattach grounding wire to grounding screw.

**15.**

Lift air conditioner slightly and slide air conditioner into cabinet. Push handle back into base. Put excess grounding wire between control panel and coils.

cont  
16  
stralg  
17  
push  
cabin  
18  
19  
OPTIC  
cond  
outsid  
the g  
water  
a 5/8  
walle  
rear c  
If yo  
oper  
Check  
trippe  
that p  
plugg  
If yo  
When  
condi  
numb  
serial/  
the fro