

This Owner's Manual is provided and hosted by [Appliance Factory Parts](#).



WHIRLPOOL X05002F00 Owner's Manual

[Shop genuine replacement parts for WHIRLPOOL
X05002F00](#)

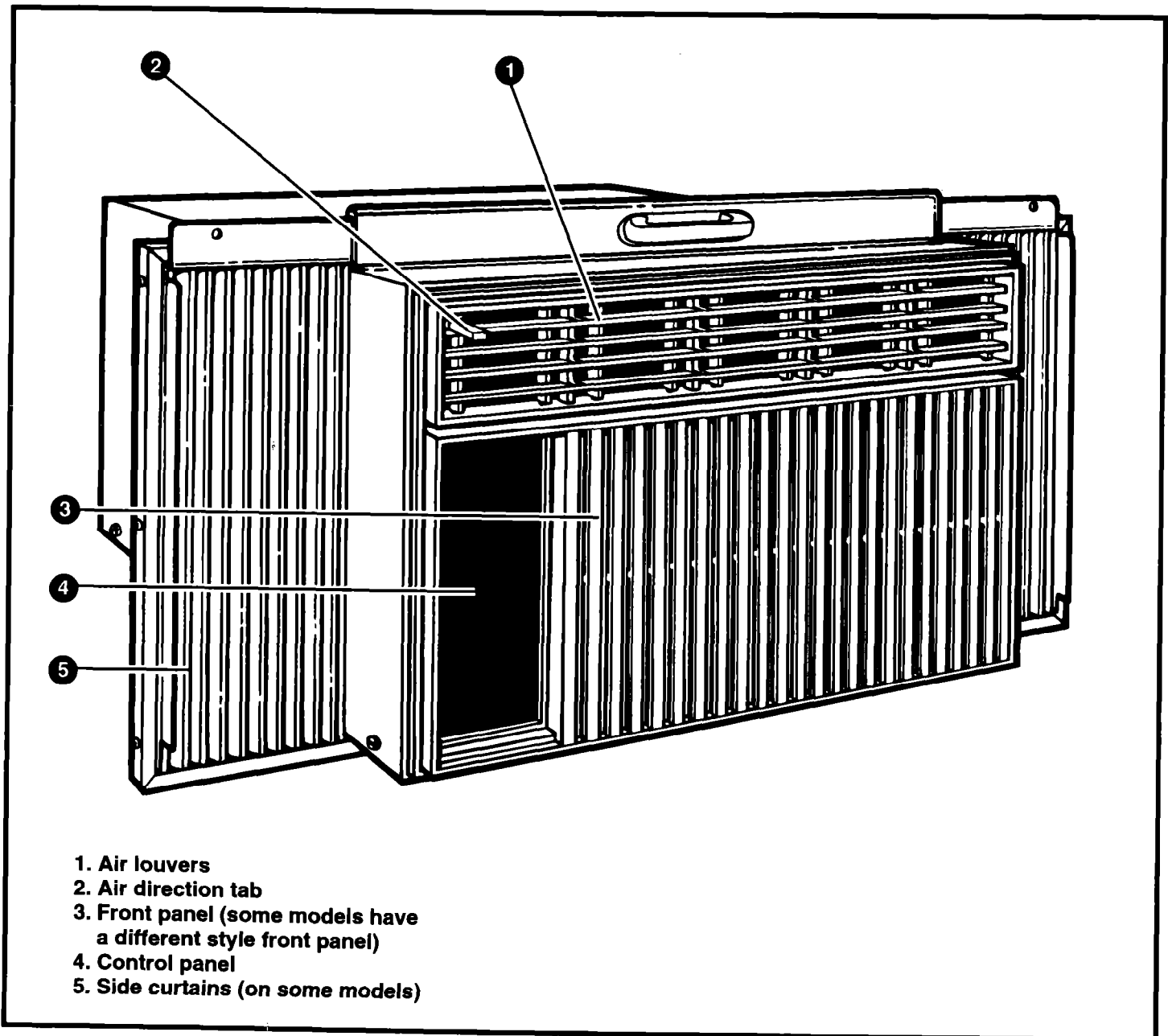


[Find Your WHIRLPOOL Air Conditioner Parts - Select From 1257 Models](#)

----- Manual continues below -----

ROOM AIR CONDITIONERS

Use & Care Guide



Contents

	Page		Page
A Note to You	2	Cleaning Instructions	6
Air Conditioner Safety	3	Cleaning the front panel	6
Important Safety Instructions	3	Cleaning the air filter	6
Operating Instructions	4	Performing Annual Maintenance	7
Starting your air conditioner	4	Repairing paint damage	8
Using the exhaust control (on some models)	5	Normal operating sounds	8
Using the ENERGY SAVER settings (on some models)	5	Troubleshooting	9
Changing air direction	5	Requesting Assistance or Service	11
		Ordering accessories	11
		Warranty	12

A Note to You

Thank you for buying this appliance.

To ensure you enjoy years of trouble-free operation, we developed this Use and Care Guide. It contains valuable information about how to operate and maintain your appliance properly and safely. Please read it carefully. Also, please complete and mail the Product Registration Card provided with your appliance. This card helps us notify you about any new information on your appliance.

Model Number _____
Serial Number _____
Purchase Date _____

Please record your model's information.

Whenever you call to request service on your appliance, you need to know your complete model number and serial number. You can find this information on the model and serial number label. (See Installation Instructions for model and serial number location.)

Please record the model and serial number information below. Also, record the purchase date of your appliance and the store's name, address, and telephone number.

Store Name _____
Store Address _____
Store Phone _____

Keep this book and sales slip together in a safe place for future reference.

Air Conditioner Safety

Your safety is important to us.

This guide contains safety symbols and statements. Please pay special attention to the symbols and follow any instructions given. Here is a brief explanation of the use of the symbol:



This symbol alerts you to hazards such as fire, electrical shock, or other injuries.

IMPORTANT SAFETY INSTRUCTIONS

WARNING – To reduce the risk of fire, electric shock, or injury when using your air conditioner, follow these basic precautions:

- Plug into a grounded 3 prong outlet.
- Do not remove ground prong.
- Do not use an adapter.
- Do not use an extension cord.
- Unplug air conditioner before servicing.
- Use two or more people to move or install air conditioner.
- Do not drink water collected inside the cabinet.

– SAVE THESE INSTRUCTIONS –

It is your responsibility to:

- Install the unit in a window that will hold the weight and secure it according to the Installation Instructions.
- Connect the unit only to the proper kind of outlet, with the correct electrical supply and grounding. (Refer to “Meeting electrical requirements” in the Installation Instructions).
- Make sure the unit is the correct size for the area you want to cool.

Operating Instructions

⚠ WARNING



Electrical Shock Hazard

- Plug into a grounded 3 prong outlet.
- Do not remove ground prong.
- Do not use an adapter.
- Do not use an extension cord.
- Failure to follow these instructions can result in death, fire, or electrical shock.

Starting your air conditioner

See Figures 1-6 for control panel variations. This manual covers several different models. The model you have purchased may have all or some of the control panel variations shown here, and they may not match the illustration exactly.

1. Set the Fan or System Control to the desired setting.
 - HI/HIGH COOL/ QUICK COMFORT for maximum cooling
 - MED/MEDIUM COOL for normal cooling
 - LO/LOW COOL for sleeping comfort
 - FAN ONLY (on some models) for circulating air without cooling

The Fan or System Control settings determine the amount of cool air coming from the louvers.

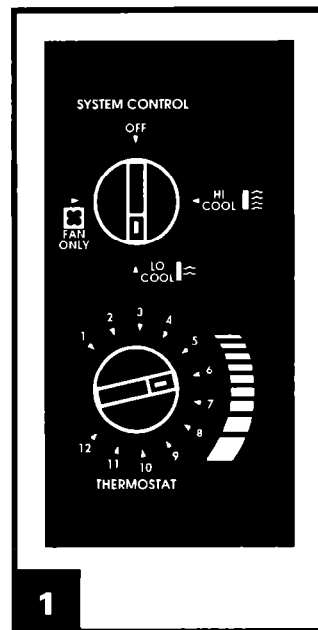
NOTES:

- Set the Exhaust Control (on some models) to CLOSED or maximum cooling.
- Set the control switch to COOL (on some models) for cooling.

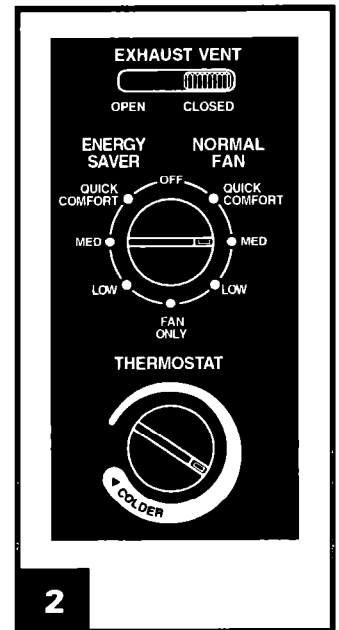
2. Turn the Thermostat to a mid-setting. For maximum cooling, turn the Thermostat clockwise. For less cooling, turn the Thermostat counterclockwise. Experiment and find the setting that suits you best.

NOTES:

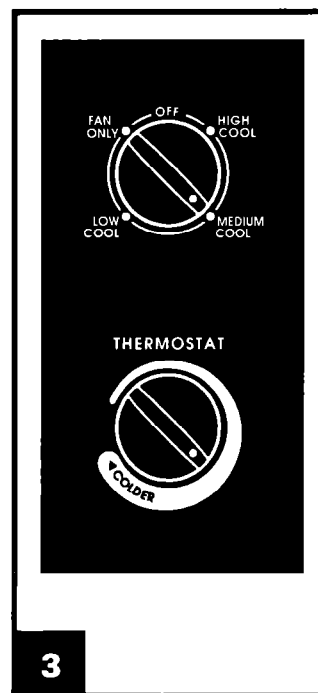
- If you turn the air conditioner off, wait at least 3 minutes before turning it back on. This prevents the air conditioner from blowing a fuse or tripping a circuit breaker.
- Do not try to operate your air conditioner when the outside temperature is below 65°F (18°C). The inside evaporator coil may freeze up and the air conditioner may not operate properly.



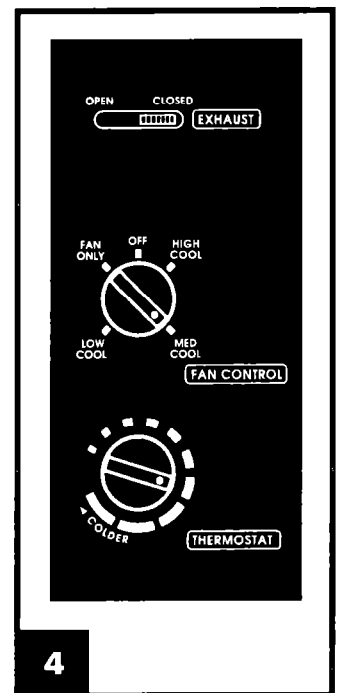
1



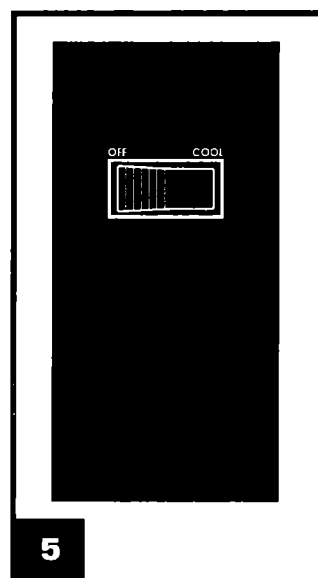
2



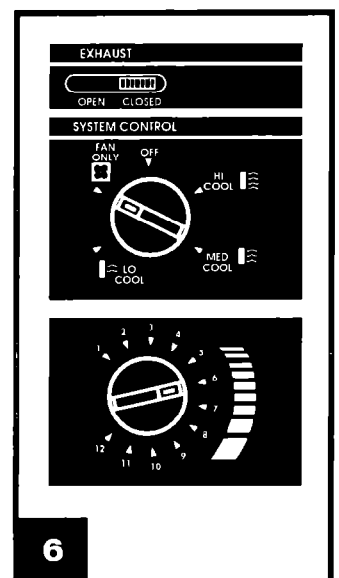
3



4



5



6

Using the exhaust control (on some models)

The Exhaust Control allows you to circulate room air or exhaust stale/smoky air.

- To circulate room air (Figure 7) set Exhaust Control to CLOSED.
- To exhaust stale/smoky air set Exhaust Control to OPEN.

Exhaust control tips

- For maximum cooling efficiency, set the Exhaust Control to CLOSED.
- The Exhaust Control will only function when the System or Fan Control is turned to an "on" setting.

Using the ENERGY SAVER settings (on some models)

The ENERGY SAVER settings are located on the System Control (QUICK COMFORT/HI, MED, and LO). See Figures 8 and 9. When these settings are selected, the fan will cycle on and off as the Thermostat Control turns the compressor on and off. This saves the cost of electrical energy that would be used to run the fan continuously.

It is normal for the fan to turn on and off in the ENERGY SAVER settings. The amount of time the unit will be off depends on the room temperature and Thermostat Control setting.

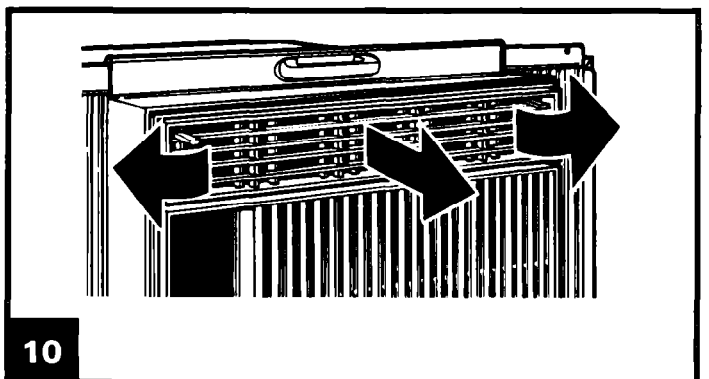
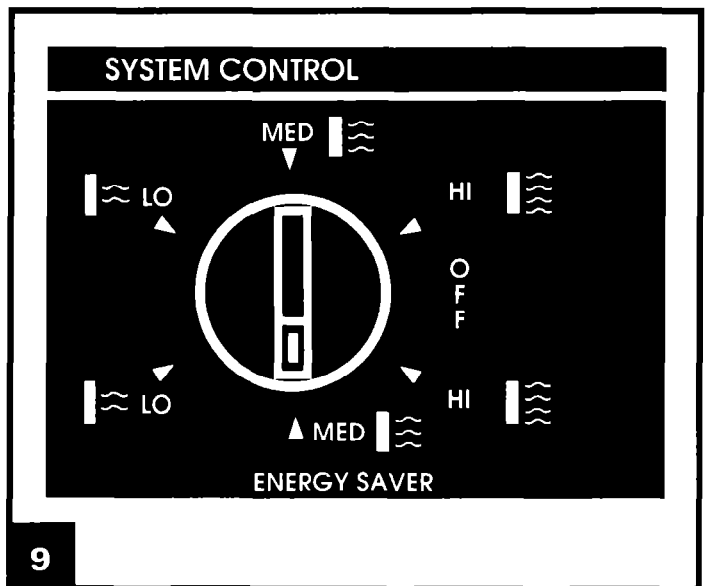
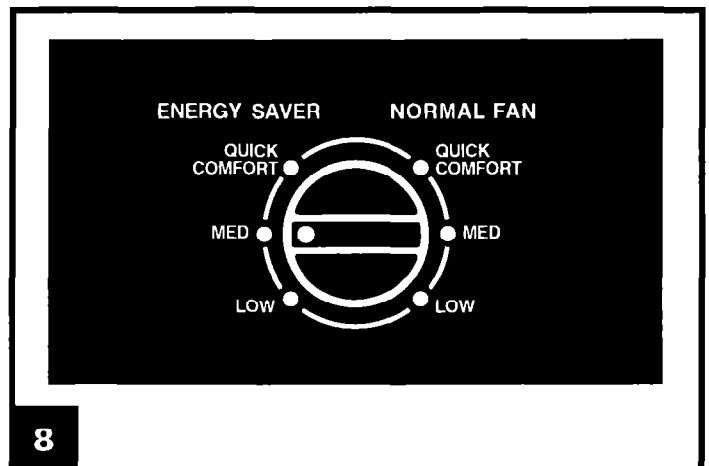
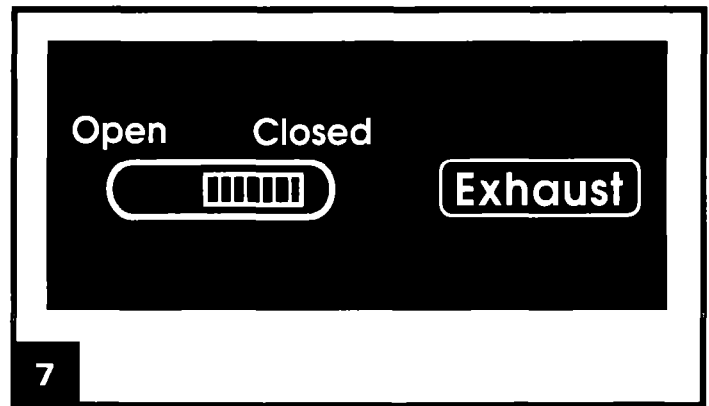
Energy saving tips

You can help save energy by reducing your air conditioner's work load:

- Improve your home's insulation. Seal doors and windows. Close fireplace flue.
- Close blinds or drapes on the sunny side of your house. Add awnings.
- Check air filter often to make sure it is clean.
- Do not block airflow with drapes or furniture.
- Ventilate your attic. High temperatures in the attic add to the cooling load of your air conditioner.
- Try not to use heat-producing appliances during the hottest part of the day.
- Turn lights and appliances off when they are not needed.
- Keep heat registers and cool-air returns closed.
- Use exhaust/venting fans while cooking, bathing, and doing laundry.

Changing air direction

The louvers in the top of the front panel allow you to control the direction of the cooled air. Use the tabs to direct the air right, left, or straight ahead. See Figure 10.

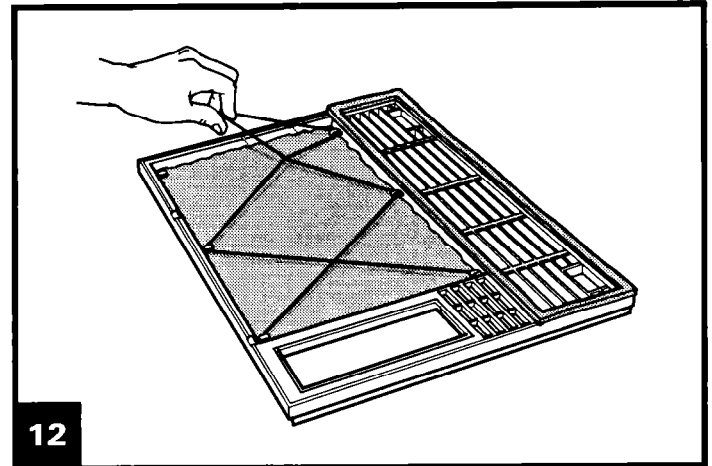
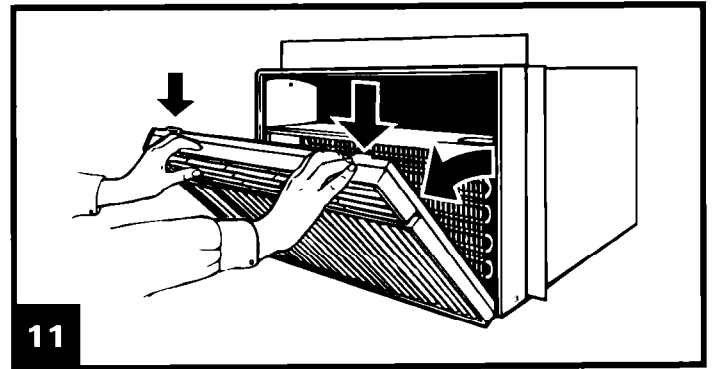


Cleaning Instructions

It is necessary to clean your air filter and front panel properly for top performance and cleaner air.

Cleaning the front panel

1. Unplug the power cord.
2. Remove the front panel from the cabinet for easy cleaning. Press down on the top of the front panel and tilt forward. Lift the front panel up and away from the bottom spring clips. **See Figure 11.**
3. Remove the air filter and clean it separately if needed. (See "Cleaning the air filter" below.)
NOTE: On some models with a slide-out air filter, you can remove the air filter without removing the front panel.
4. Using a soft cloth, clean the front panel with warm water and a mild soap or detergent. Rinse and dry thoroughly. Wipe the control panel with a soft, dry cloth.
5. Replace the front panel. Set the bottom of the panel on the cabinet spring clips. Push down and forward into the cabinet to secure upper tabs.
6. Plug in the power cord.

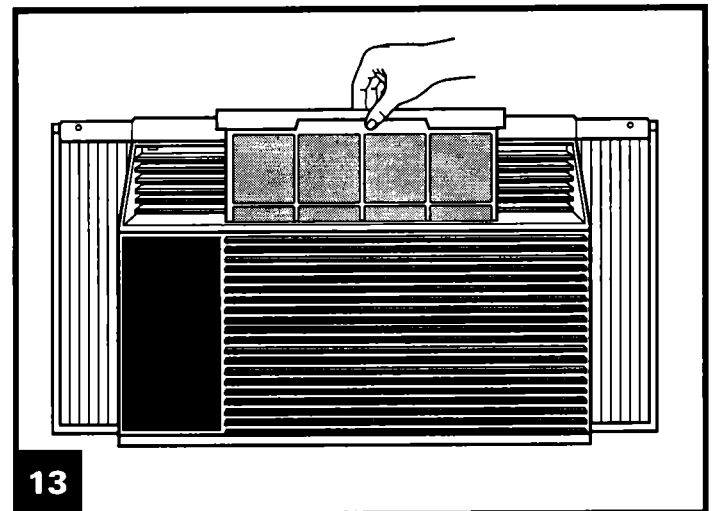


Cleaning the air filter

Your air conditioner's air filter is removable for easy cleaning. A clean filter helps remove dust, lint, and other particles from the air and is important for best cooling and operating efficiency. Check the filter every 2 weeks to see if it needs cleaning. Do not operate the air conditioner without the filter in place.

For models with built-in filters (see figure 12):

1. Unplug the power cord.
2. Remove the front panel from the cabinet. (See "Cleaning the front panel" above.)
3. Remove the elastic band holding the air filter in place. Then remove the air filter.
4. Wash the air filter with warm water and mild detergent. Do not wash the air filter in the dishwasher or use any chemical cleaners. **Air dry thoroughly before replacing to ensure maximum efficiency.**
5. Replace the filter, elastic band, and front panel.
6. Plug in the power cord.



For models with slide-out filters (see figure 13):

1. Slide out the air filter up and out the top of the front panel.
2. Clean the filter using a vacuum cleaner attachment or wash it in warm water and a mild detergent. Do not wash the air filter in the dishwasher or use any chemical cleaners. **Air dry thoroughly before replacing to ensure maximum efficiency.**
3. Slide the air filter back down in the opening in the top of the front panel.

Air filter tips

- Your air filter should be replaced once a year.
- For information on ordering a new filter, see page 11.

Performing Annual Maintenance

⚠ WARNING

Excessive Weight Hazard

Use two or more people to move and install air conditioner.

Failure to do so can result in back or other injury.

⚠ WARNING



Electrical Shock Hazard

Unplug before doing any maintenance.

Do not drink water collected by the air conditioner.

Failure to follow these instructions can result in death, electrical shock, or sickness.

Your air conditioner needs annual maintenance to help ensure steady, top performance throughout the year. Call your local authorized dealer to schedule annual maintenance. The expense of this service is the consumer's responsibility.

OR

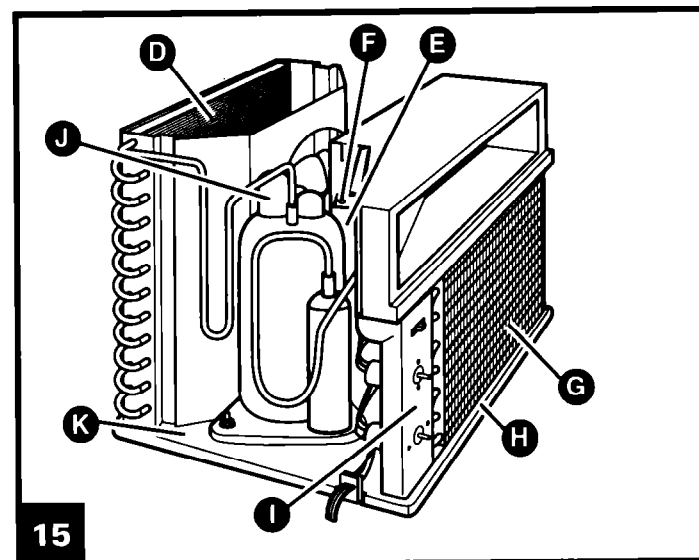
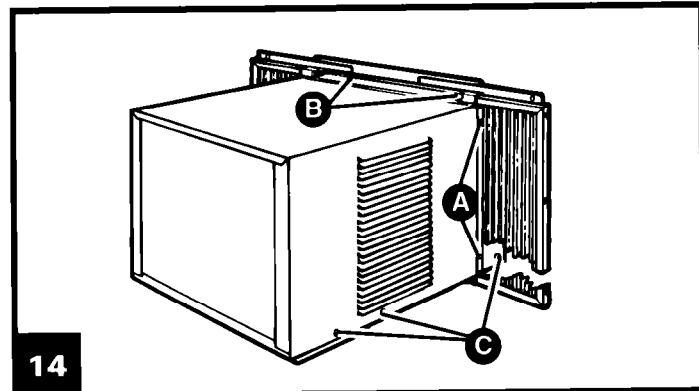
If you are familiar with electrical appliances, you can do the maintenance yourself. If you choose to do so, follow these steps:

NOTE: Do not lift, push, or pull any gray Styrofoam from inside the air conditioner.

1. Unplug the power cord.
2. Remove the air conditioner from the window.

continued on next page

3. Remove the front panel. (See "Cleaning the front panel" on page 6.)
4. Remove the side curtains (on some models). Slide curtains out to fullest width. From the back side, remove the Phillips-head screws which attach the curtain to the cabinet (A). See Figure 14.
5. Remove slotted-hex head screws (B) holding top channel. See Figure 14.
6. Remove slotted-hex head screws (C) on sides of cabinet. See Figure 14.
7. Holding the cabinet on both sides, carefully lift cabinet off base. Watch out for the sharp metal fins on the front and rear coils.
8. Wrap the fan motor (E), capacitor terminals (F), electrical control panel (I), and compressor terminals (J), in plastic film and make sure no water or other liquid gets inside any of these parts. It could damage the insulation and cause serious mechanical problems. See Figure 15.
9. Carefully clean and hose out the base (K), condenser coil (D), evaporator coil (G), and condensate pan (H). Clean at least once a year or more often if the condenser and evaporator coils and pan collect dirt, sand, leaves, insects, or algae. Also, clean if you detect an odor coming from the air conditioner. See Figure 15.
10. Remove the plastic film from the motor and electrical parts.
11. Replace the cabinet on the air conditioner and reattach the front panel, top channel, and side curtains. Tighten all screws.
12. Plug in the power cord.



NOTE: It is a good idea to wait 24 hours before starting the air conditioner again. This allows time for all areas to dry out.

Repairing paint damage

Check once or twice a year for paint damage. This may occur, especially in salty environments (near oceans, etc.) or where rust is a problem. If needed, touch up with a good grade enamel paint.

NOTE: To reduce paint damage during the winter, install a heavy-duty cover on your air conditioner's cabinet. For information on ordering a heavy-duty cover see page 11.

Normal operating sounds

When your air conditioner is operating normally, you may hear such sounds as:

- A "pinging" sound caused from water droplets hitting the condenser. This is an energy efficient design whereby the water cools the condenser.
- Air movement from the fan.
- Clicks from the thermostat cycling on and off.
- Vibrations or noise due to poor wall or window construction.
- A high pitched hum or pulsating noise caused by the modern high efficiency compressor cycling on and off.

Troubleshooting

You can solve many common air conditioner problems easily, saving you the cost of a service call. Try the suggestions below to see if you can solve your problem without outside help.

Your air conditioner will not operate

Check if ...	Then ...
The power supply cord is unplugged.	Firmly plug the cord into a live outlet with proper voltage.
A household fuse has blown or circuit breaker has tripped.	Replace the fuse or reset the circuit breaker. Make sure the air conditioner is plugged into a properly grounded outlet as described in the Installation Instructions.
The Fan Control is turned to the OFF position.	Turn the Fan Control to an active setting.
The local power has failed.	Wait for power to be restored.

The unit blows fuses or trips circuit breakers

Check if ...	Then ...
Too many appliances are being used on the same circuit.	Unplug or relocate appliances that share the same circuit.
Time-delay fuse or circuit breaker of the wrong capacity is being used.	Replace with a 15 amp time-delay fuse or circuit breaker of the correct capacity. Check with your local utility company for the correct capacity.
An extension cord is being used.	Do not use an extension cord with this or any other appliance.
You are trying to restart the air conditioner too soon after turning Fan Control off.	Wait at least 3 minutes after turning Fan Control off before trying to restart the air conditioner.

The air conditioner seems to run too much

Check if ...	Then ...
The current air conditioner replaced an older model.	The use of more efficient components may cause the air conditioner to run longer than an older model, but the total energy consumption will be less. Newer air conditioners do not emit the "blast" of cold air you may be accustomed to from older units, but this IS NOT an indication of lesser cooling capacity or efficiency. Refer to the efficiency rating (EER) and capacity rating (in BTUs/hr.) marked on the air conditioner.
The unit is in a heavily occupied room or heat-producing appliances are in use in the room.	Use exhaust vent fans while cooking or bathing and try not to use heat-producing appliances during the hottest part of the day. A higher capacity air conditioner may be required depending on the size of the room being cooled.

The unit turns on and off too much, or does not cool room

Check if ...	Then ...
The air conditioner is not properly sized for your room.	Check the cooling capabilities of your room air conditioner. Room air conditioners are not designed to cool multiple rooms.
The filter is dirty or obstructed by debris.	Clean the filter. See page 6.
The inside evaporator and outside condenser coils are dirty or obstructed by debris.	Clean the inside evaporator and outside condenser coils. See page 8.
There is excessive heat or moisture (open container cooking, showers, etc.) in the room.	Use a fan to exhaust heat or moisture from the room. Try not to use heat-producing appliances during the hottest part of the day.
The louvers are blocked.	Install the air conditioner in a location where the louvers are free from curtains, blinds, furniture, etc.
The outside temperature is below 65°.	Do not try to operate your air conditioner when the outside temperature is below 65°.
The temperature of the room you are trying to cool is extremely hot.	Allow extra time for the air conditioner to cool off a very hot room.
Windows or doors to the outside are open.	Close all windows and doors.
The Exhaust Control is set to OPEN (on some models).	Set the Exhaust Control to CLOSED for maximum cooling.
The Thermostat is not at a cool enough setting.	Adjust the Thermostat to a cooler setting by turning the knob clockwise. Turn Fan Control to HIGH.
The air conditioner is installed on the sunny side of your house.	Install your air conditioner in a more shaded window.

Water drips from cabinet into your house

Check if ...	Then ...
The air conditioner is not properly leveled. The air conditioner should slope slightly downward toward the outside.	Level the air conditioner to provide a ¼" downward slope toward the outside (½ bubble on a carpenter's level [or 1.1 degrees]) to ensure proper drainage. See the Installation Instructions for an illustration. Reposition or shim the cabinet as necessary. NOTE: Do NOT drill a hole in the bottom of the metal base and condensate pan.

Requesting Assistance or Service

Before calling for assistance or service, please check "Troubleshooting" on pages 9-10. It may save you the cost of a service call. If you still need help, follow the instructions below.

1. If you need assistance* ...

Call the Consumer Assistance Center telephone number. Dial toll-free from anywhere in the U.S.A.:

1-800-253-1301

and talk with one of our trained consultants. The consultant can instruct you in how to obtain satisfactory operation from your appliance or, if service is necessary, recommend a qualified service company in your area.

If you prefer, write to:

Consumer Assistance Center
c/o Correspondence Dept.
2000 North M-63
Benton Harbor, MI 49022-2692

Please include a daytime phone number in your correspondence.

2. If you need service* ...

We have a nationwide network of authorized service companies. Our service technicians are trained to fulfill the product warranty and provide after-warranty service, anywhere in the United States. To locate an authorized service company in your area, call our Consumer Assistance Center telephone number (see Step 1) or look in your telephone directory Yellow Pages.

3. If you need replacement parts* ...

To locate replacement parts in your area, refer to Step 2 or call the Consumer Assistance Center number in Step 1.

4. If you are not satisfied with how the problem was solved* ...

- Contact the Major Appliance Consumer Action Program (MACAP). MACAP is a group of independent consumer experts that voices consumer views at the highest levels of the major appliance industry.

- Contact MACAP only when the Consumer Assistance Center and authorized service company have failed to resolve your problem. Please write to:

Major Appliance Consumer Action Program
20 North Wacker Drive
Chicago, IL 60606

- MACAP will in turn inform us of your action.

* When asking for help or service:

Please provide a detailed description of the problem, your appliance's complete model and serial numbers, and the purchase date. (See page 2.) This information will help us respond properly to your request.

Ordering accessories

You can order the following accessories for your air conditioner from your local authorized dealer or by calling **1-800-253-1301** from anywhere in the U.S.A. You will hear a recording. Follow the instructions to place an order.

Replacement air filters

A good, clean air filter is important for best cooling with least energy consumption. Your air filter should be cleaned regularly. See page 6 for cleaning instructions. We suggest you replace your air filter once a year.

Installation kits

A standard installation kit is included with your air conditioner. These special installation kits are available:

- Outside Sill Bracket Kit
- Wide-Window Kit

Heavy-duty cover

If you decide to leave your air conditioner installed during the winter, a heavy-duty cover will help protect your air conditioner and reduce drafts. The cover protects against cold drafts through the unit's air passages and protects the cabinet from snow, rain, sleet, rust, and dust.

For a heavy-duty cover, sized to fit your air conditioner, order part # 484069.

Warranty

LENGTH OF WARRANTY	WE WILL PAY FOR
FULL ONE-YEAR WARRANTY FROM DATE OF PURCHASE	Replacement parts and repair labor to correct defects in materials or workmanship. Service must be provided by an authorized service company.
FULL FIVE-YEAR WARRANTY FROM DATE OF PURCHASE	Replacement parts and repair labor to correct defects in materials or workmanship in the sealed refrigeration system. These parts are: 1. Compressor 4. Drier-Strainer 2. Evaporator 5. Connecting Tubing 3. Condenser Service must be provided by an authorized service company.
WE WILL NOT PAY FOR	
<p>A. Service calls to:</p> <ol style="list-style-type: none"> 1. Correct the installation of your air conditioner. 2. Instruct you how to use your air conditioner. 3. Replace house fuses or correct house wiring. 4. Clean or replace the air filter. <p>B. Pickup and delivery. Your air conditioner is designed to be repaired in the home.</p> <p>C. Damage to your air conditioner caused by accident, misuse, fire, flood, acts of God, or use of products not mentioned in this manual.</p> <p>D. The removal and reinstallation of your air conditioner if it is installed in an overhead or other inaccessible location or is not installed in accordance with published Installation Instructions.</p> <p>E. Repairs to parts or systems caused by unauthorized modifications made to the appliance.</p>	

8/96

WHIRLPOOL CORPORATION SHALL NOT BE LIABLE FOR INCIDENTAL OR CONSEQUENTIAL DAMAGES.

Some states do not allow the exclusion or limitation of incidental or consequential damages, so this exclusion or limitation may not apply to you. This warranty gives specific legal rights, and you may also have other rights which vary from state to state.

Outside the United States a different warranty may apply. For details, please contact your authorized dealer.

If you need service, first see the "Troubleshooting" section of this book. After checking "Troubleshooting," additional help can be found by checking the "Requesting Assistance or Service" section, or by calling the Whirlpool Corporation Consumer Assistance Center telephone number, **1-800-253-1301**, from anywhere in the U.S.A.

Air Conditioner Installation Instructions

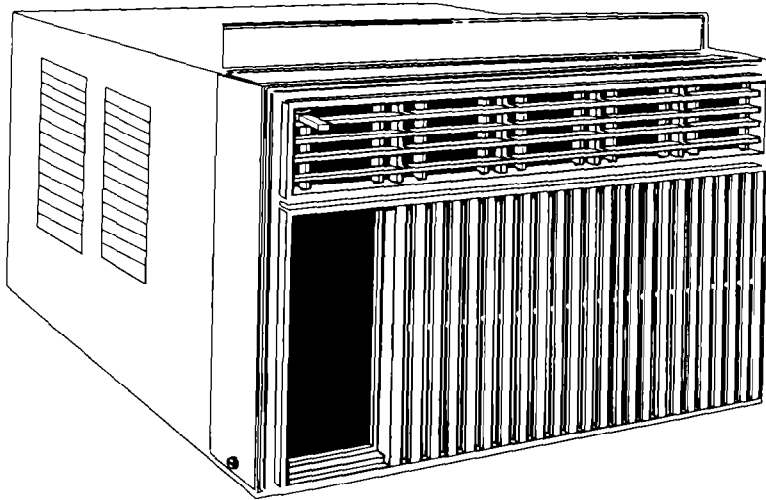


Table of Contents

Introduction

Page 2

Requirements

Page 3

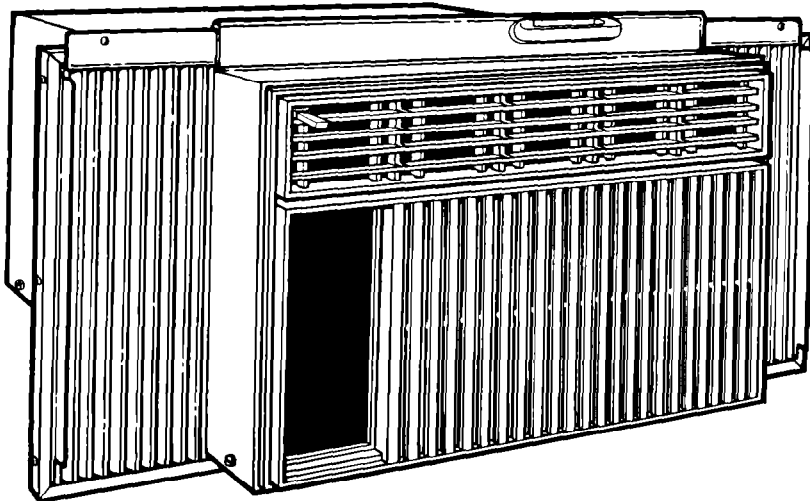
Preparation

Page 3

Installation steps

Filler board: Page 4

Curtain: Page 5



Part No. 1168978

Important:

- **Installer:** Leave Installation Instructions in place.
- **Homeowner:** Keep Installation Instructions in place.
- **Save** Installation Instructions for local electrical code.

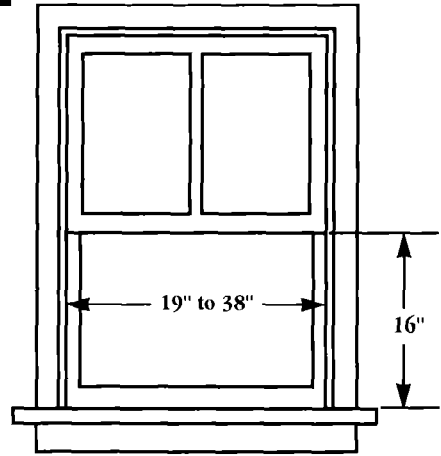
Important:
Read and save these instructions.

Introduction.

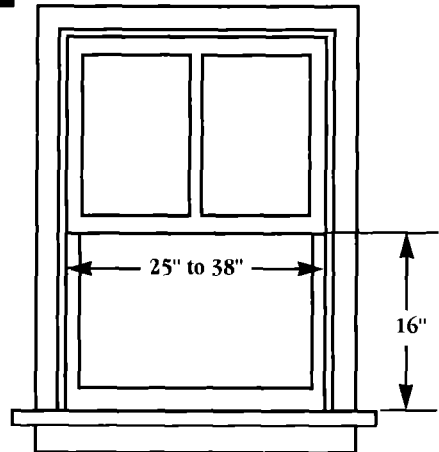
Location

Window opening measurements

Filler board

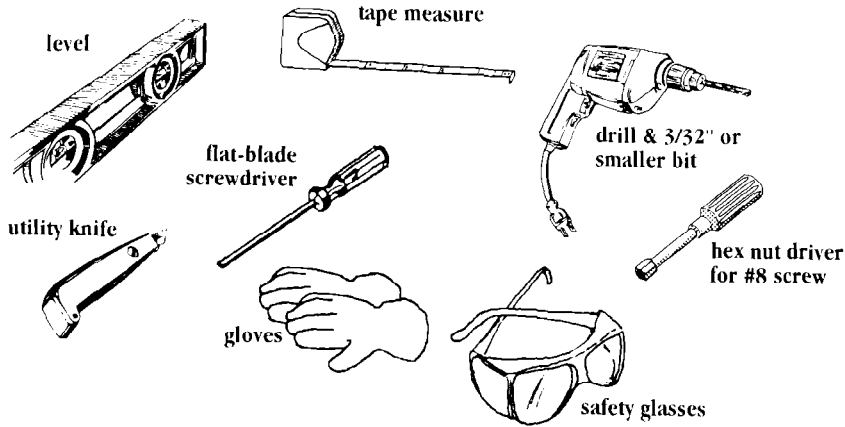


Curtain

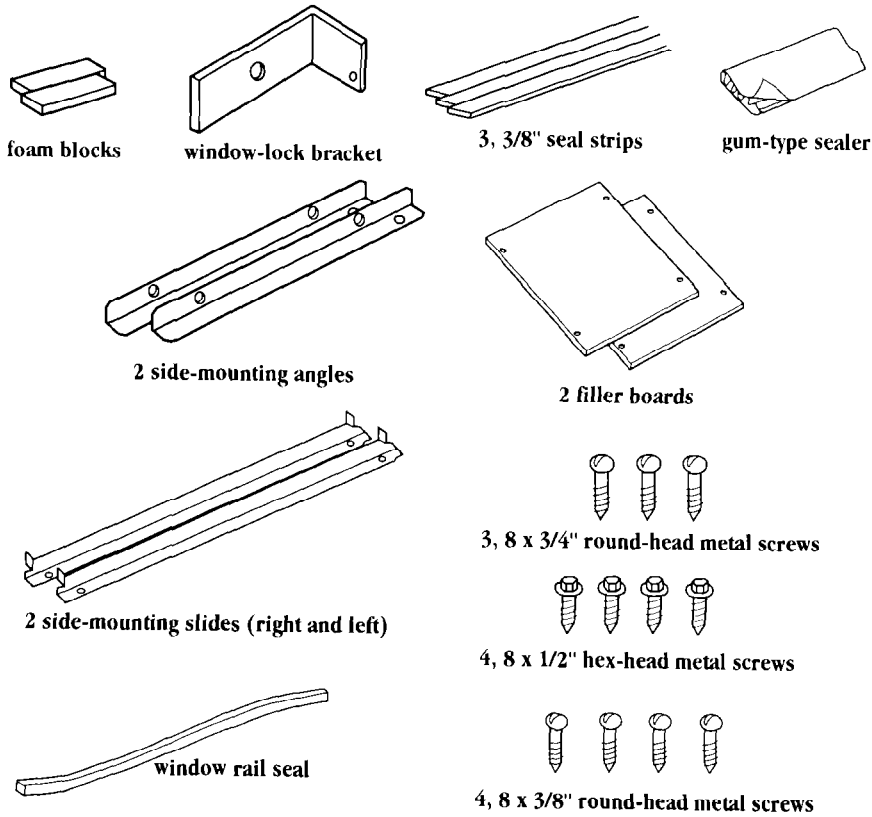


Filler board installation

Tools needed:

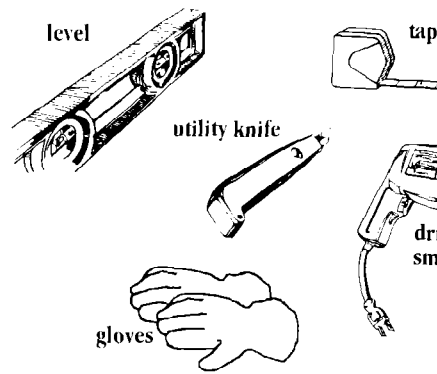


Parts supplied:

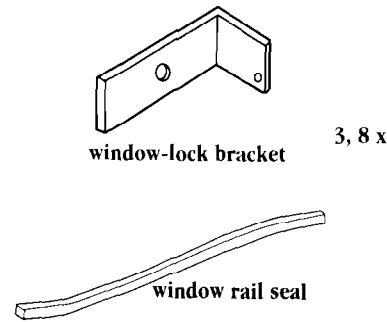


Curtain in

Tools needed:



Parts supplied:



Requirements

Electrical requirements

⚠ WARNING

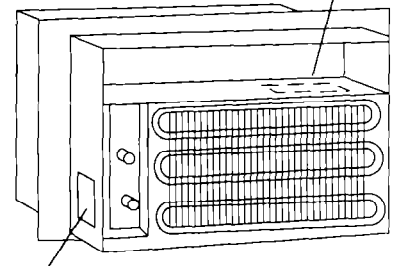


Electrical Shock Hazard
 Plug into a grounded 3 prong outlet.
 Do not remove ground prong.
 Do not use an adapter.
 Do not use an extension cord.
 Failure to follow these instructions
 can result in death, fire, or
 electrical shock.

If codes permit and a separate grounding wire is used, it is recommended that a qualified electrician determine that the grounding path is adequate.

Check with a qualified electrician if you are not sure the air conditioner is properly grounded.

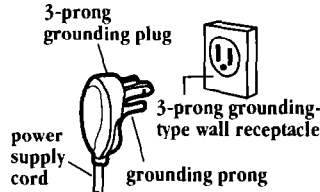
model and serial label



model and serial label

A three-wire, single-phase, 60-Hz, AC-only, electrical supply is required on a separate circuit. A 15-amp time-delay fuse or circuit breaker is required. Copper wire (#14 gauge) is required. The fuse size must not exceed the circuit rating specified on the model and serial label.

The model and serial label is located on the left side panel, or behind the front panel above the coil area.

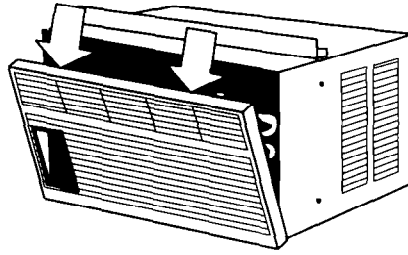
<h3>Plug Type</h3> 	115-volt — 103.5v min., 126.5v max.	7.5-amp rating a double outlet acceptable.
---	---	--

Cabinet Preparation

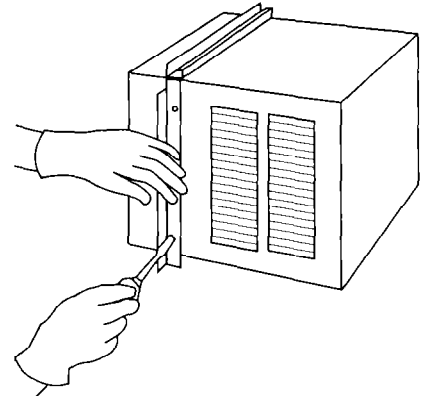
Follow the instructions for your type of air conditioner.

Handle air conditioner with care. Watch out for sharp metal fins on the front and rear coils.

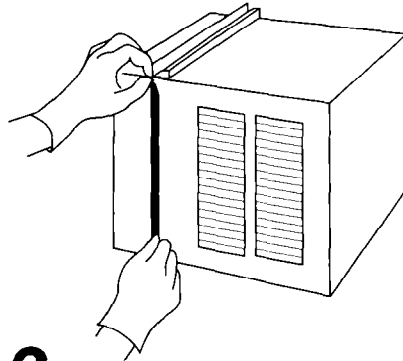
Filler board



1. Push down on front panel and pull panel towards you to remove from cabinet.



3. Place the right, side-mounting angle over seal strip so that flange faces cabinet front. Insert 8 x 3/8" sheet metal screws starting with bottom slot. Slide mounting angle downward until screws are in top of slots. Tighten screws. Repeat for left, side-mounting angle, making sure flange faces cabinet front. (Note: Side mounting angles may be factory-installed on some models.)



2. Starting at bottom edge of cabinet, attach seal strip over center line of predrilled holes on right and left sides of air conditioner cabinet.

Go to Page 4 for installation steps.

Filler Board Installation

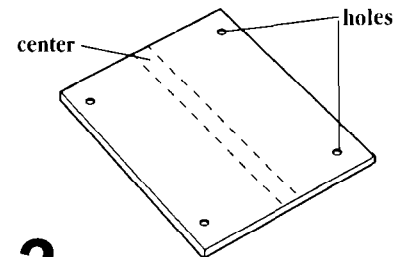
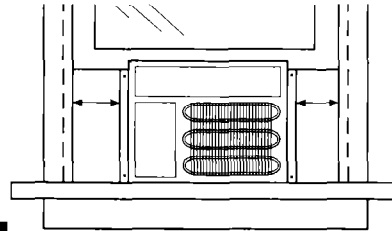
Preparing the filler board

Be sure your air conditioner does not fall out of the opening during installation.

NOTE: Maintain a firm hold on the air conditioner cabinet to prevent it from falling out of the opening during installation.

Air conditioner should be placed no more than four feet from a grounded outlet.

the same. When the air conditioner is centered in the window, write down this measurement. Add 1/8" to that for final measurement to cut filler boards.

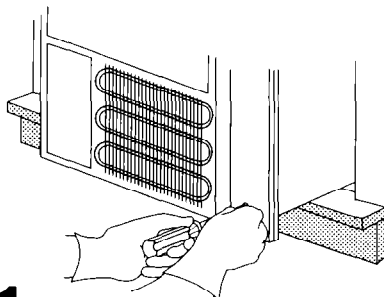
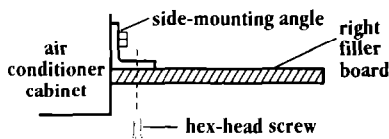


- 1.** Center air conditioner in window. Lower window sash to hold cabinet in place. Measure the distance from the right side of the cabinet to the inside of the window channel. Repeat for the left side. Adjust the air conditioner until the distance on each side is

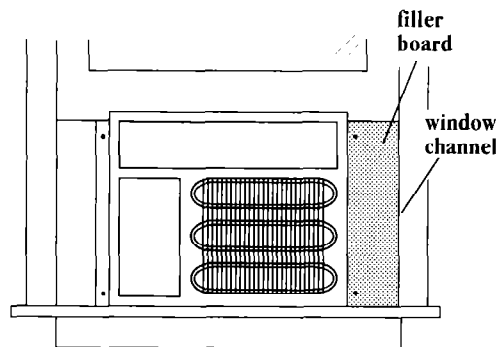
- 2.** Use a utility knife to cut filler boards to the final measurement size. Make cut at the center of the boards, so the outside edges of filler boards will have screw holes.

Attaching the filler board

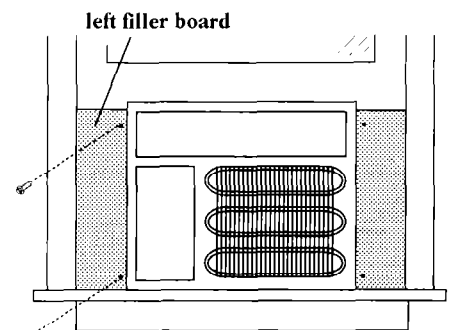
Top view:



- 1.** Pull air conditioner part way out of the window. Attach right filler board to front of a side-mounting angle using 8 x 1/2" hex-head screws. Do Not tighten screws at this time.

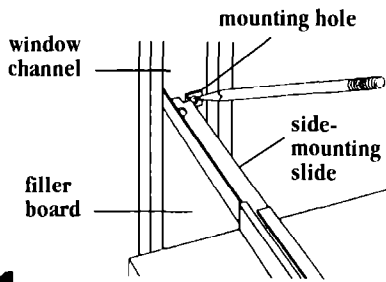


- 2.** Place air conditioner back into the window with the filler board tight against window channel.

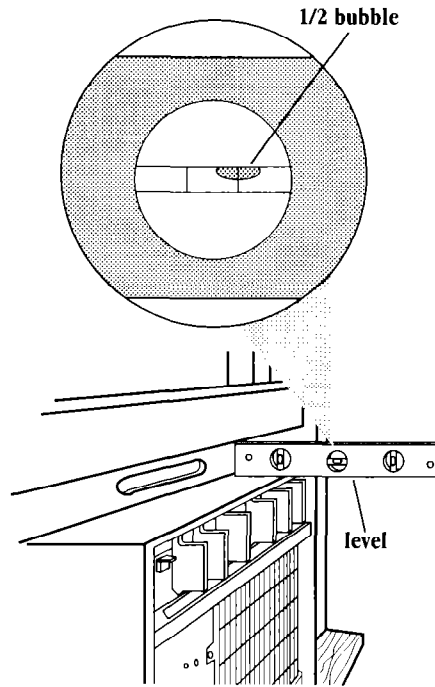


- 3.** Insert left filler board into window channel. Push filler board against side-mounting angle and attach with 8 x 1/2" hex-head screws. Do Not tighten screws at this time.

Completing installation



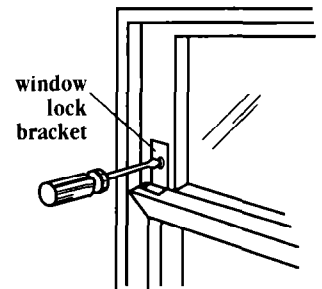
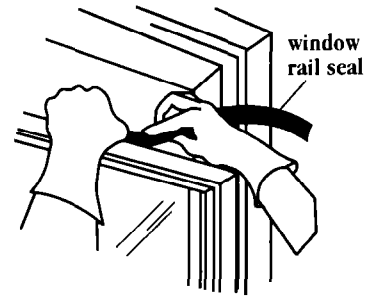
1. Hold air conditioner to prevent it from falling. Raise window sash. Place side-mounting slides into top mounting channel. Extend mounting slides outward into window channels. Pull air conditioner slightly forward until slides are tight against window channels. Mark hole locations and use a 3/32" drill bit to drill starter holes for wood screws. Use wood screws to attach slides to window channels. Do Not tighten screws at this time. Lower window sash behind top mounting channel.



2. Check that air conditioner cabinet is tilted to the outside so that water will run to the outside.

Place level on top of right side of air conditioner. There should be a tilt to the outside of approximately 1/2 bubble. Place level on left side and check. If cabinet is not properly positioned, reposition or shim the cabinet to provide the proper tilt.

Tighten filler board and side-mounting slide screws.



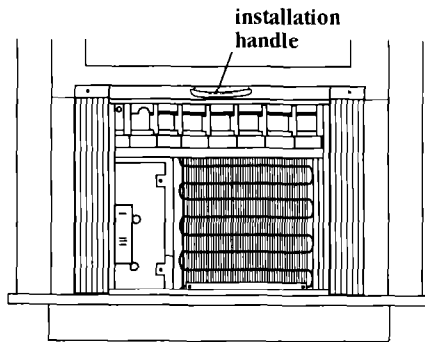
NOTE: Install window-lock bracket to prevent air conditioner from falling out of window.

3. Insert window rail seal behind top of lower window sash and against glass of upper window. Place window-lock bracket on top of lower window and against the upper window sash. Use a 3/32" drill bit to drill a starter hole through the hole in the bracket. Attach window-lock bracket with wood screw. Seal small openings around the window with gum-type sealer.

Curtain Installation

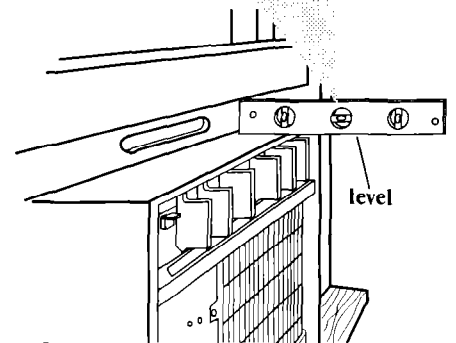
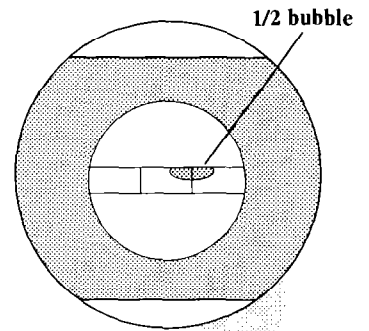
Positioning the Air Conditioner

Be sure your air conditioner does not fall out of the opening d



- 1.** Center air conditioner in window. Check that lower rail of air conditioner is behind and against back side of window seal. Lower window sash to hold cabinet in place while using installation handle to keep fingers out of the way.

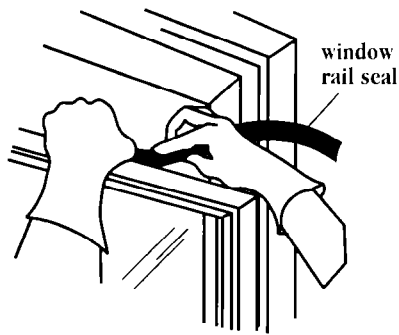
Do not block louvers in air conditioner cabinet.



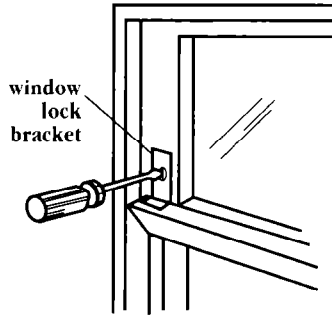
- 2.** Check that air conditioner cabinet is tilted to the outside so that water will run to the outside.

Place level on the top, right side of air conditioner cabinet. There should be a tilt to the outside of about 1/2 bubble. Place level on left side of air conditioner and check. If cabinet is not properly positioned, reposition or shim cabinet to provide the proper tilt.

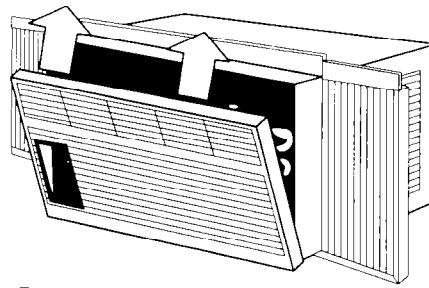
Completing Installation



window
rail seal



window
lock
bracket



- 2.** Place bottom edge of front panel on clips and push down. Then push panel into cabinet until panel snaps in place.

Congratulations!

You have successfully installed your new air conditioner. To get the most efficient use from your new air conditioner, read the Use and Care Guide section of this book.

- 1.** Insert window rail seal behind the top of the lower window sash and against the glass of the upper window. Place window-lock bracket on top of lower window and against upper window sash. Use a $3/32$ " drill bit to drill a starter hole through the hole in the bracket. Attach window-lock bracket. Seal small openings around window with gum-type sealer.