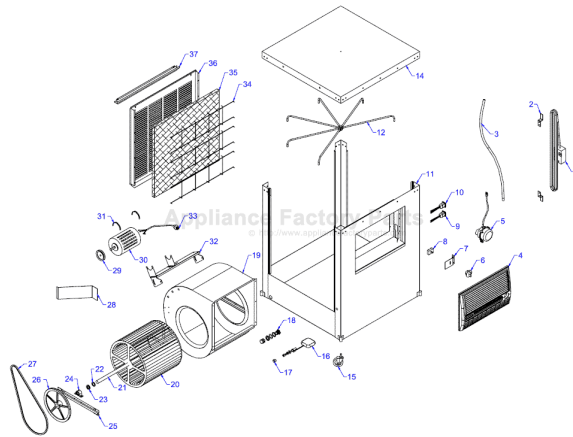


This Owner's Manual is provided and hosted by [Appliance Factory Parts](#).



ESSICK M400 Owner's Manual

[Shop genuine replacement parts for ESSICK M400](#)



[Find Your ESSICK Evaporative Cooler Parts - Select From 70 Models](#)

----- Manual continues below -----

GADABOUT

Mobile Evaporative Air Coolers



Cooling on the Go!

Portable Compact Size and Heavy-Duty Swivel Casters Make it Easy to Use Anywhere

Unique

Built-In Convenience Large Water Reservoir Ensures Hours of Cooling and is a Safe Alternative When Hose Connection is Dangerous or Impractical

Powerful Airflow and Cooling Performance is Unbeatable

Durable Polyester Powder Coat Finish Resists Weather and Impact

Affordable Spot Cool Areas for Just Pennies an Hour!

Best Warranty Unmatched by Similar Products on the Market

Made in USA

UL Listed

Put Cooling Where You Need it Most – Inside or Out!

Sporting Events • Work Areas • Patios • Recreational Areas • Warehouse • Loading Docks



GADABOUT

Mobile Evaporative Air Coolers

Model M500
5000 CFM



- 3/4 HP Motor
- 47-Gallon Water Reservoir
- Unique* • Oil-Filled Submersible Pump for Long-Lasting Operation
- Unique* • Coolpad® Evaporative Media for Optimum Cooling
- Unique* • Recessed Grille with Convenient 4-Way Directional Air Control
- Unique* • 5-Year Limited Warranty on Cabinet and 2-Year Limited Warranty on Parts Unmatched by Similar Products
- UL Listed

Model M400
4000 CFM



- 1/2 HP Motor
- 34-Gallon Water Reservoir
- Unique* • Oil-Filled Submersible Pump for Long-Lasting Operation
- Unique* • Coolpad® Evaporative Media for Optimum Cooling
- Unique* • Recessed Grille with Convenient 4-Way Directional Air Control
- Unique* • 5-Year Limited Warranty on Cabinet and 2-Year Limited Warranty on Parts Unmatched by Similar Products
- UL Listed

Model M300
3000 CFM



- 1/3 HP Motor
- 27 Gallon Water Reservoir
- Unique* • Oil-Filled Submersible Pump for Long-Lasting Operation
- Unique* • Coolpad® Evaporative Media for Optimum Cooling
- Unique* • Recessed Grille with Convenient 4-Way Directional Air Control
- Unique* • 5-Year Limited Warranty on Cabinet and 2-Year Limited Warranty on Parts Unmatched by Similar Products
- UL Listed

Model M150
1100 CFM



- 1/8 HP Motor
- 5-1/2 Gallon Water Reservoir
- Unique* • Lightweight, Compact Design
- Unique* • Wheels and Handle for Easy Movement
- Unique* • Rigid Media for Maximum Cooling
- Unique* • 3-Speed Turbo Power
- Unique* • Turbo Tip Blades for Better Air Flow
- 1-Year Limited Warranty on Cabinet and Parts
- UL Listed

30% More Air Flow Than Similar Products

General Specifications

MODEL NO.	CABINET DIMENSIONS (height x width x depth)	SPEED	H.P.	WATER CAPACITY	WEIGHT
M500	48-1/8" x 34" x 34"	2	3/4	47 gal.	195 lbs
M400	41-1/8" x 29" x 29"	2	1/2	34 gal.	165 lbs
M300	39-5/8" x 31-1/2" x 21"	2	1/3	27 gal.	100 lbs
M150	24-5/8" x 22-3/8" x 17-1/16"	3	1/8	5-1/2 gal.	36 lbs



5800 Murray Street, Little Rock, Arkansas 72209
800-643-8341 www.tradewindsc cooler.com

Made in the USA

TGBGB March 2005