

This Owner's Manual is provided and hosted by [Appliance Factory Parts](#).



KRUPS KB7207 Owner's Manual

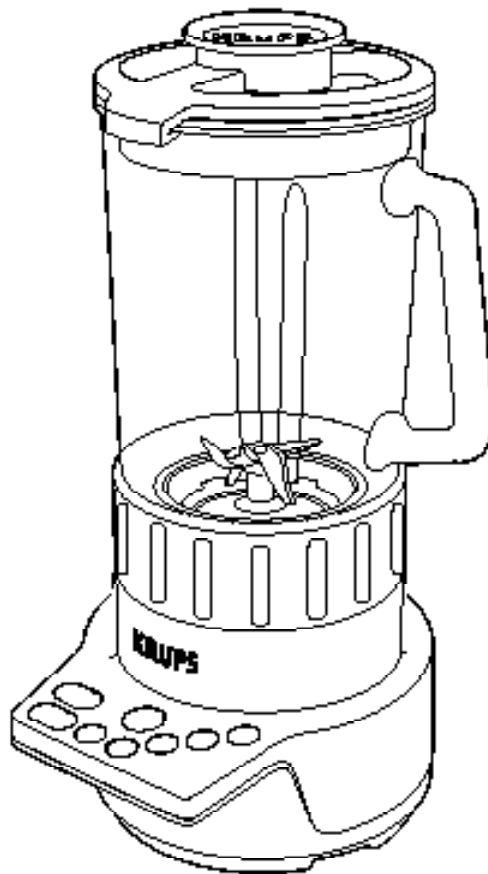
[Shop genuine replacement parts for KRUPS KB7207](#)



[Find Your KRUPS Small Appliance Parts - Select From 175 Models](#)

----- Manual continues below -----

KRUPS



www.krupsusa.com
www.krups.com

IMPORTANT SAFEGUARDS

When using electrical appliances, basic safety precautions should always be followed to reduce the risk of fire, electric shock, and/or injury to persons, including the following:

- Read all instructions carefully before using the blender.
- To protect against risk of electrical shock, do not put blender, cord or plug in water or other liquid.
- Close supervision is necessary when any appliance is used near children.
- This appliance is not intended for use by children.
- Unplug from outlet when not in use, before putting on or taking off parts, and before cleaning.
- Avoid contact with moving parts.
- Do not operate any appliance with a damaged cord or plug, or after the appliance malfunctions, or is dropped or damaged in any manner. Return appliance to the nearest authorized KRUPS Service Center for examination, repair or electrical or mechanical adjustments.
- The use of attachments, including a canning jar, not recommended by KRUPS may cause injury to person.
- Do not use outdoors.
- Do not let cord hang over edge of table or counter.
- Keep hands and utensils out of container while blending to reduce the risk of severe injury to persons or damage to the blender. A scraper may be used but must be used only when the blender is not running.
- Blades are sharp. Handle carefully.
- To reduce the risk of injury, never place cutter assembly blades on base without jar properly attached.
- Always operate blender with cover in place.
- When blending hot liquids, remove measuring cup (center piece of cover) to allow steam to escape.
- Make certain the voltage of the appliance is in accordance with your domestic supply.
- Never use the blender on a hot surface or near fire.
- Do not place ingredients bigger than one inch into the blender. They could stop the blade and overheat the Appliance.

- Do not use the appliance for other than intended use.
- Do not place the blender jar in a microwave oven.

SAVE THESE INSTRUCTIONS

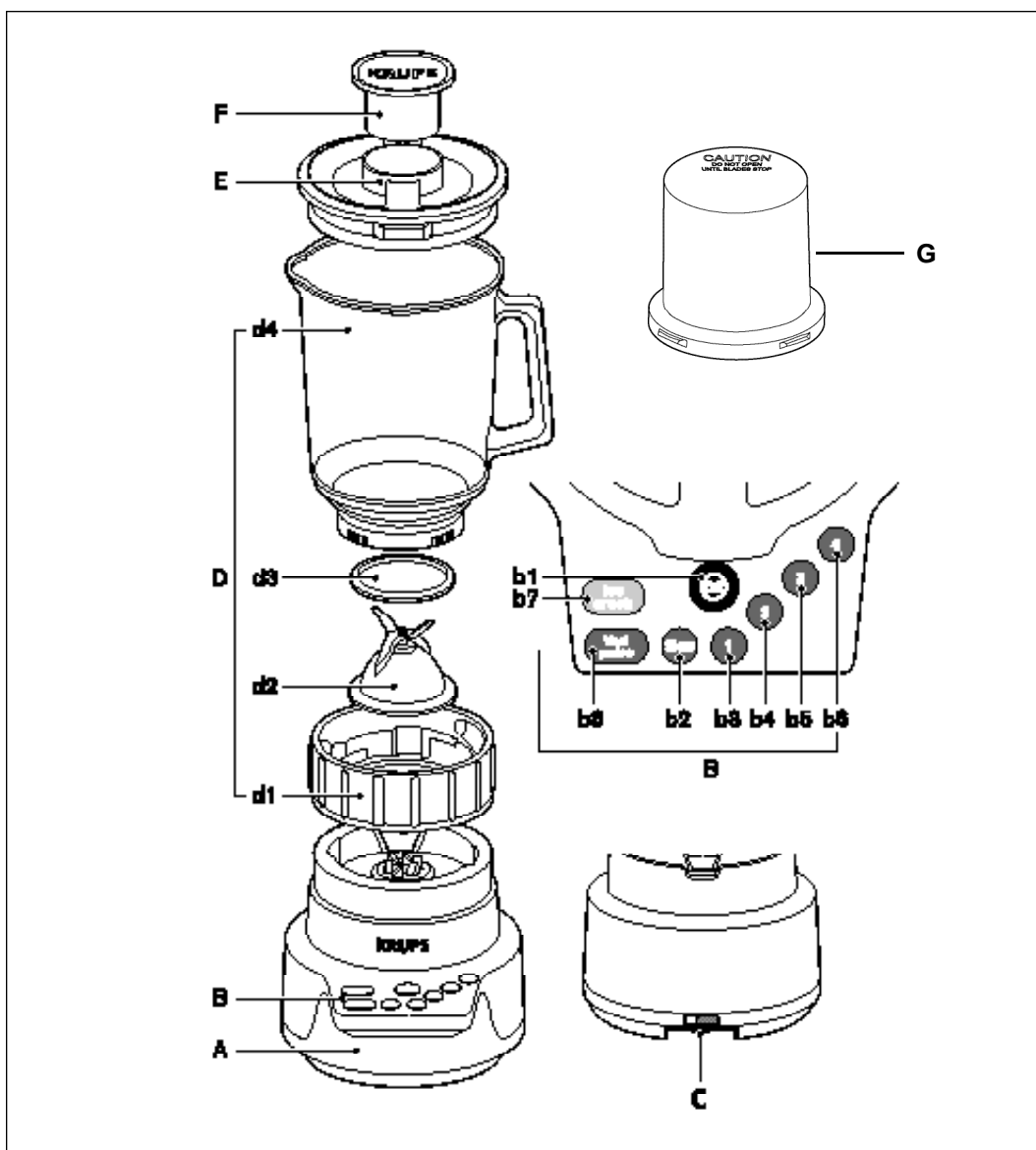
CAUTION

- This appliance is for household use only. Any servicing other than cleaning and user maintenance should be performed by the nearest authorized KRUPS Service Center.
- Do not immerse base in water.
- To reduce the risk of fire or electric shock, do not remove the base. No user serviceable parts inside. Repair should be done by an authorized KRUPS Service Center only.

SPECIAL CORD SET INSTRUCTIONS

Regarding your cord set:

- A.** A short power-supply cord is provided to reduce risks resulting from becoming entangled in or tripping over a longer cord.
- B.** Longer extension cords are available and may be used if care is exercised in their use.
- C.** If a long extension is used, (1) the marked electrical rating of extension cord should be at least as great as the electrical rating of the appliance, (2) if the appliance is of the grounded type, the extension cord should be of a grounded type, and (3) the longer cord should be arranged so that it will not drop over the counter top or table top where it can be pulled on by children or tripped over.
- D.** This appliance has a polarized plug (one blade is wider than the other). As a safety feature, this plug will fit in a polarized outlet only one way. If the plug does not fully fit in the outlet, reverse the plug. If it still does not fit, contact a qualified electrician. Do not modify the plug in any way.



Description of the blender

- A Metal base
- B Speed selection panel
 - b1 – Stop button
 - b2 – Slow speed
 - b3 – speed 1
 - b4 – speed 2
 - b5 – speed 3
 - b6 – speed 4
 - b7 – Ice crush function
 - b8 – Vari-Pulse function

- C Cord tidy cavity
- D Blender jar assembly
 - d1 Locking ring base
 - d2 Removable blade carrier
 - d3 Seal
 - d4 Graduated 60oz glass jar
- E Blender jar cover
- F Measuring stopper, 2.5oz
- G Food chopper accessory (available in limited KRUPS Service Centers)

Important advice

The maximum power of your blender is reached with the food chopper accessory (G).

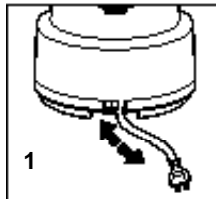
Important: Ensure that the blender cover (E) with measuring stopper (F) are correctly fitted on the blender jar (D).

When blending solid ingredients, first cut them into pieces 1/2" to 1" long. Always pour liquid ingredients into the glass jar first before adding solid ingredients.

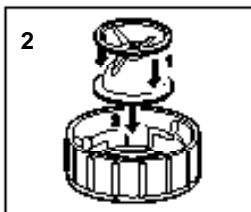
To add ingredients once the blender has started, remove the measuring stopper (F) from the cover (E) and put them through the hole in the lid. If ingredients become stuck to the sides of the jar during blending, stop the appliance and disconnect it. Then remove the glass jar from the metal base. Use a spatula to scrape the sides.

NEVER put hand or fingers into the glass jar or close to the blade.

- Never start the appliance on its highest speed.
- Always increase speed progressively.
- Remove the blender jar from the metal base only when it has come to a standstill.
- For greater convenience or storage, the length of the supply cord can be reduced by pushing it into the metal base (A) through the opening at the rear (C) (diagram 1).



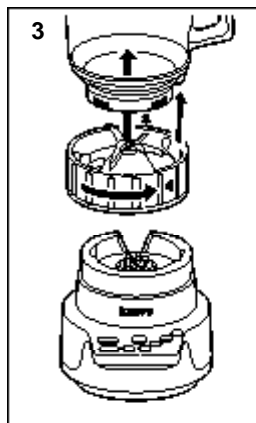
Using your appliance



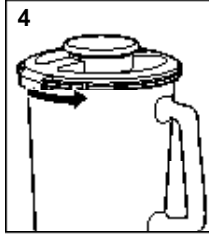
- Before use, clean blender jar, cover, measuring stopper, in warm soapy water. Rinse and dry them carefully.

Never immerse the body of the appliance and never put it under running water.

The capacity of the jar allows you a great deal of flexibility in your preparations. Additionally, because the extra-thick glass is thermal-shock and scratch resistant you can make a variety of ice-based preparations in complete safety.



1. Place the ring seal (d3) onto the base of the removable blade carrier (d2) (diagram 2).
2. Press the assembly (d2 + d3) down into the locking ring base (d1). It will click into place.
3. Place the glass jar (d4) onto the locking ring base (d1), taking care to ensure that the glass knobs on the bottom of the jar (there are two of them) fit into the grooves near the top of the locking ring base (diagram 3).
4. Hold the locking ring base (d1) firmly and give the glass jar a quarter turn to lock it in place (diagram 3).
5. Place the assembled blender jar (D) onto the metal base (A). There are two possible positions: the jar handle can be to the right or the left of the speed selection panel (B). For your own safety, the blender will not start unless it is correctly assembled and positioned on the metal base.



6. Put the ingredients to be mixed into the jar (D) without exceeding the maximum level:
 - 60oz for thick mixtures,
 - 50oz for very liquid mixtures.
7. Fit the measuring stopper (F) in the cover (E). Put the cover assembly on the jar (D) and twist counter clockwise to lock the lid in place (diagram 4).
8. Plug in the appliance and choose the function that you wish to use.

- **Continuous operation:** speeds Slow to 4 (b2, b3, b4, b5 and b6).

Start at Slow speed (b2) and then gradually increase to the most suitable speed for your preparation. The button for the selected speed will light. Press Off (b1) to stop the appliance. The indicator light for the speed in use will go out.

NOTE: The Slow speed can be used to finish off recipes by adding solid ingredients that you do not wish to blend, such as chocolate chips or nuts.

The cover must always be in place while the appliance is in operation. To add ingredients while blending, remove the measuring stopper (F) from the cover and pour the ingredients through the opening.

Speed	Recipe
Slow	Incorporating chocolate chips
1	Hummus, mayonnaise
2	Brownies
3	Pancake batter
4	Soups
Ice Crush	Crushed ice, onions

“Vari-Pulse” function:

This function gives finer control over the degree of blending for precise, efficient preparations.

To use this short burst function, press the “Vari-Pulse” button (b8). The indicator light will then blink. Press the button for the desired speed (from Slow (b2) to speed 4 (b6)). The blender will run for as long as you keep the button pressed. Release it and the appliance stops.

To turn off the “Vari-Pulse” function or switch to a different blending function, press the “Off” button (b1). The indicator light will go out.

“Ice Crush” function:

This function operates the motor intermittently for the preparation of crushed ice, smoothies or granitas.

To crush ice, put the ice cubes into the jar and replace the cover. There is no need to add water. Press the “Ice Crush” button (b7).

For finely crushed ice, use a maximum of 6 to 8 large ice cubes (1/3 l level).

When the ice is ready, stop the blender by pressing the “Off” button (b1).

Unplug the appliance. **Only remove the assembled jar when the appliance has come to a complete stop.**

Cleaning

CAUTION

- Unplug the blender and take off the jar or accessory assembly.
- Clean the metal base (A) with a damp cloth. Dry carefully.
- Never immerse the motor unit (A) in water.
- Rinse the blender jar (D), its cover (E) and the measuring stopper (F) under running water.
- For greater ease of cleaning, release the locking ring base (d1), blade unit (d2) and seal (d3) from the jar (D) and clean them all separately.



HANDLE THE BLADES WITH CARE, THEY ARE VERY SHARP

- The blender jar (D), the cover (E), the measuring stopper (F) can be put in the dishwasher.
- **Attention:** avoid stress on the cover (E) when placing it in the dishwasher basket (risk of deformation).

Troubleshooting

PROBLEM	CAUSE	SOLUTION
Appliance does not work	The plug is not connected	Connect the appliance to a socket with the same voltage
	The jar is not fitted correctly on the body of the appliance	Check for correct positioning of the jar
Excessive vibration	The product is not placed on a flat surface	Place the product on a flat surface
	The jar is not correctly fitted to the motor unit	Check for correct positioning of the jar
Leak from lid	Too great a volume of ingredients	Do not go over the maximum level of the jar (60oz for thick preparations and 50oz for extremely liquid preparations)
	The lid is not correctly positioned	Lock the lid onto the blender jar correctly
Leak from bottom of jar	Silicone seal missing or incorrectly assembled	Check for presence and correct operation of seal.
	Seal deformed or damaged	Replace seal. Available from KRUPS certified service centre
Blade does not turn easily	Pieces of food too big or too hard	Reduce size of pieces of food or quantity. Add liquid.

LIMITED WARRANTY

This Krups product is warranted for 1 year from the date of purchase against defects in material and workmanship. During this period, the Krups product that, upon inspection by Krups, is proved defective, will be repaired or replaced, at Krups' option, without charge to the customer. If a replacement product is sent, it will carry the remaining warranty of the original product. This warranty does not apply to any defect arising from a buyer's or user's misuse of the product, negligence, failure to follow Krups' instructions, use on current or voltage other than that stamped on the product, wear and tear, alteration or repair not authorized by Krups, or use for commercial purposes.

THE WARRANTIES SET FORTH HEREIN ARE EXCLUSIVE AND NO OTHER WARRANTIES, EXPRESS OR IMPLIED, INCLUDING BUT NOT LIMITED TO ANY WARRANTY OF MERCHANTABILITY OR FITNESS FOR A PARTICULAR PURPOSE OR USE, ARE MADE BY KRUPS OR ARE AUTHORIZED TO BE MADE WITH RESPECT TO THE PRODUCT.

Some states do not allow limitation on how long an implied warranty lasts or do not allow the exclusion or incidental or consequential damages, so the above limitations may not apply to you. This warranty gives you specific legal rights, and you may also have other rights, which vary from state to state. If you believe your product is defective, bring the product (or send it, postage prepaid) along with proof of purchase to the nearest authorized Krups Service Center.

Service center information is subject to change. Please confirm the location is current by visiting our website at www.KrupsUSA.com or by calling our consumer service department. If you send the product, please include a letter explaining the nature of the claimed defect.

USA Service Centers:

California

CES Concord
1170-G Burnett Ave.
Concord, CA 94520
925-827-1011

CES Covina
612 S. Shoppers Lane
Covina, CA 91723
626-915-4935

Maryland

Waters Appliance
216 E. Diamond Ave.
Gaithersburg, MD 20877
301-258-7500

Florida

Southern Electric
510 N. Paramore Ave.
Orlando, FL 32801
407-841-8824

New York

Turnpike Appliance
3495A Lawson Blvd.
Oceanside, NY 11572
516-486-5700

Illinois

Authorized Appliance
1644 West Ogden Ave.
Downers Grove, IL 60515
630-852-1550

Washington

Action Small Appliance
1500 145th Place SE
Bellevue, WA 98007
425-643-9806

If you have additional questions, please call our Consumer Service Department:

USA:

1-800-526-5377

Mon – Fri 8:30 a.m. – 4:30 p.m. (EST)

www.KrupsUSA.com

196 Boston Avenue

Medford, MA 02155

Only letters can be accepted at this address. Shipments and packages that do not have a return authorization number will be refused.

Canada:

1-800-418-3325

Mon – Fri 8:30 a.m. – 4:30 p.m. (EST)

www.Krups.ca

Groupe SEB Canada Inc.

455 Finchdene Square

Scarborough, Ontario M1X 1B7

Please note hours are subject to change.

Before calling the Consumer Service Department, please have the type number of your KRUPS appliance available. You must have this information before calling our Consumer Service Department so that we may better answer your questions. The type number can be located by looking at the bottom of your appliance

0 827 576