

This Owner's Manual is provided and hosted by [Appliance Factory Parts](#).



# Alfresco ALX2-56C Owner's Manual

[Shop genuine replacement parts for Alfresco ALX2-56C](#)

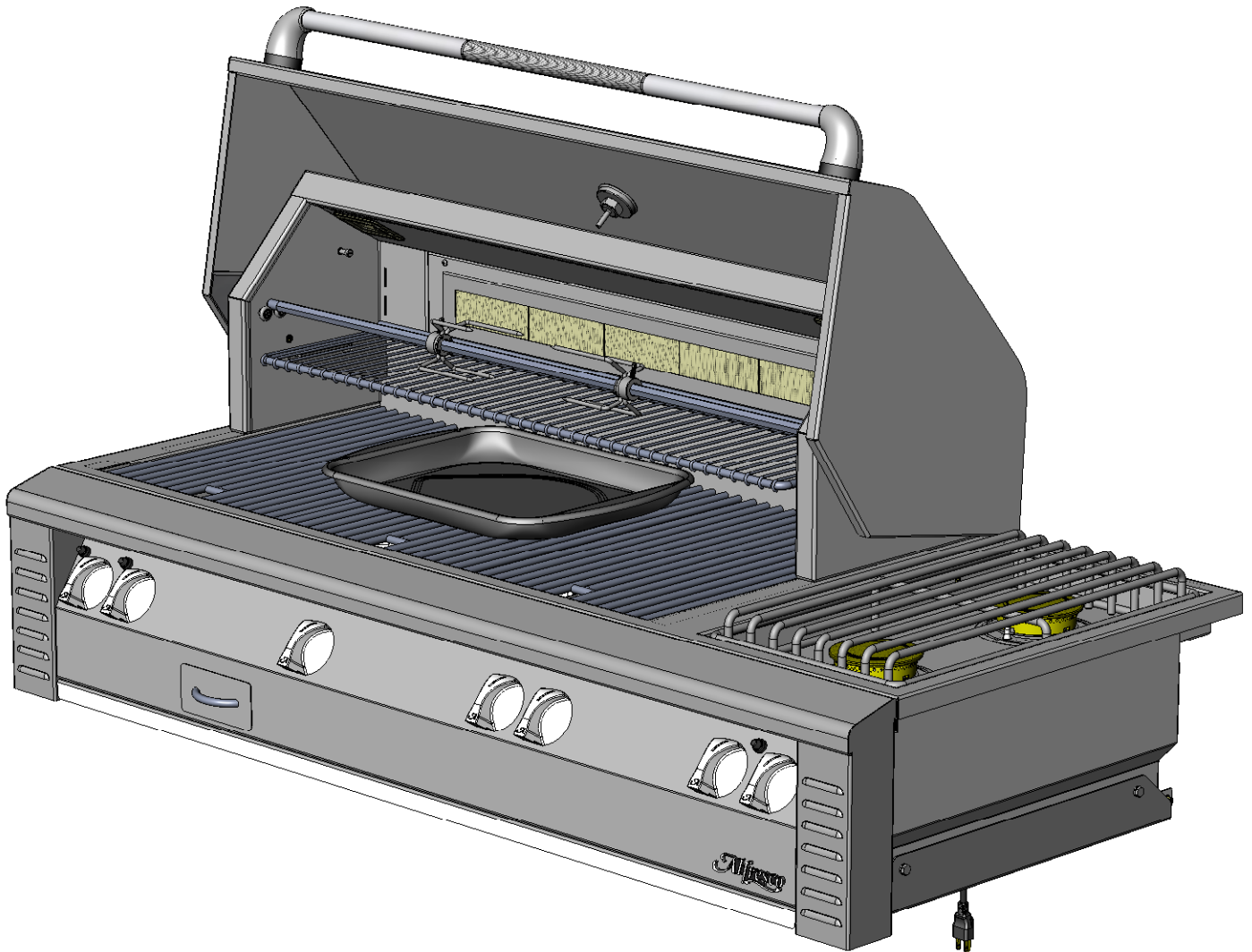


[Find Your Alfresco Grill Parts - Select From 126 Models](#)

----- Manual continues below -----

# Alfresco™

Open Air Culinary Systems



**ALX2-56**

**BUILT-IN 56" BBQ WITH TRIPLE GRILL BURNERS,  
DOUBLE SIDE BURNERS INTEGRATED ROTISSERIE  
MOTOR AND LIGHTS.**

**Alfresco™**  
SUPERIOR EQUIPMENT SOLUTIONS  
7039 EAST SLAUSON AVENUE  
COMMERCE, CA. 90040

THE INFORMATION CONTAINED IN THIS DRAWING IS THE  
SOLE PROPERTY OF SUPERIOR EQUIPMENT SOLUTIONS  
INC. ANY REPRODUCTION IN PART OR AS A WHOLE  
WITHOUT WRITTEN PERMISSION FROM SUPERIOR  
EQUIPMENT SOLUTIONS, INC. IS PROHIBITED.

**DRAWN BY: ADRIAN CRISCI**  
**CREATED: 2/15/2007 4:20:58 PM**

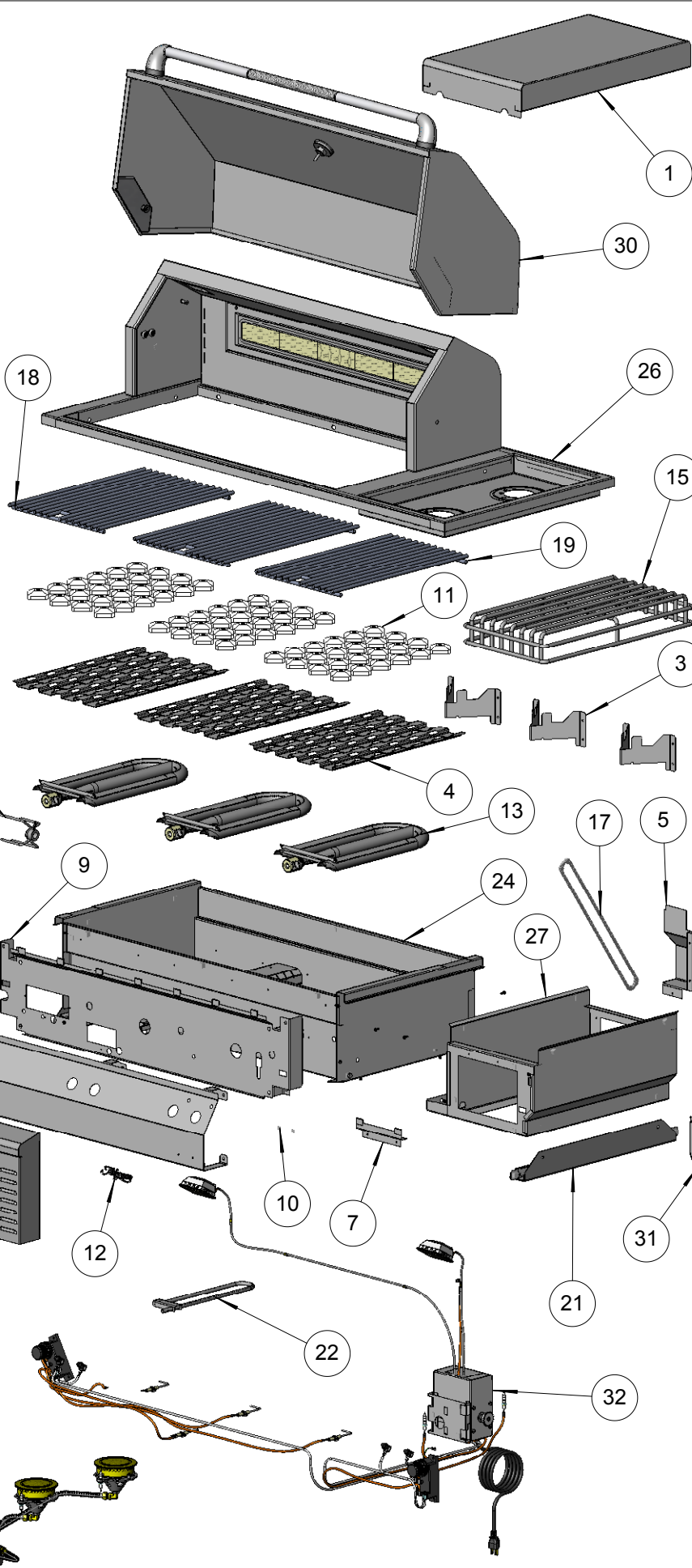
PROJECT TITLE:  
**ALX2-56 BBQ**

DRAWING TITLE:  
**ALX2-56 BBQ - TRIPLE U BURNER**

DRAWING NO.:  
**500-0021 MANU**

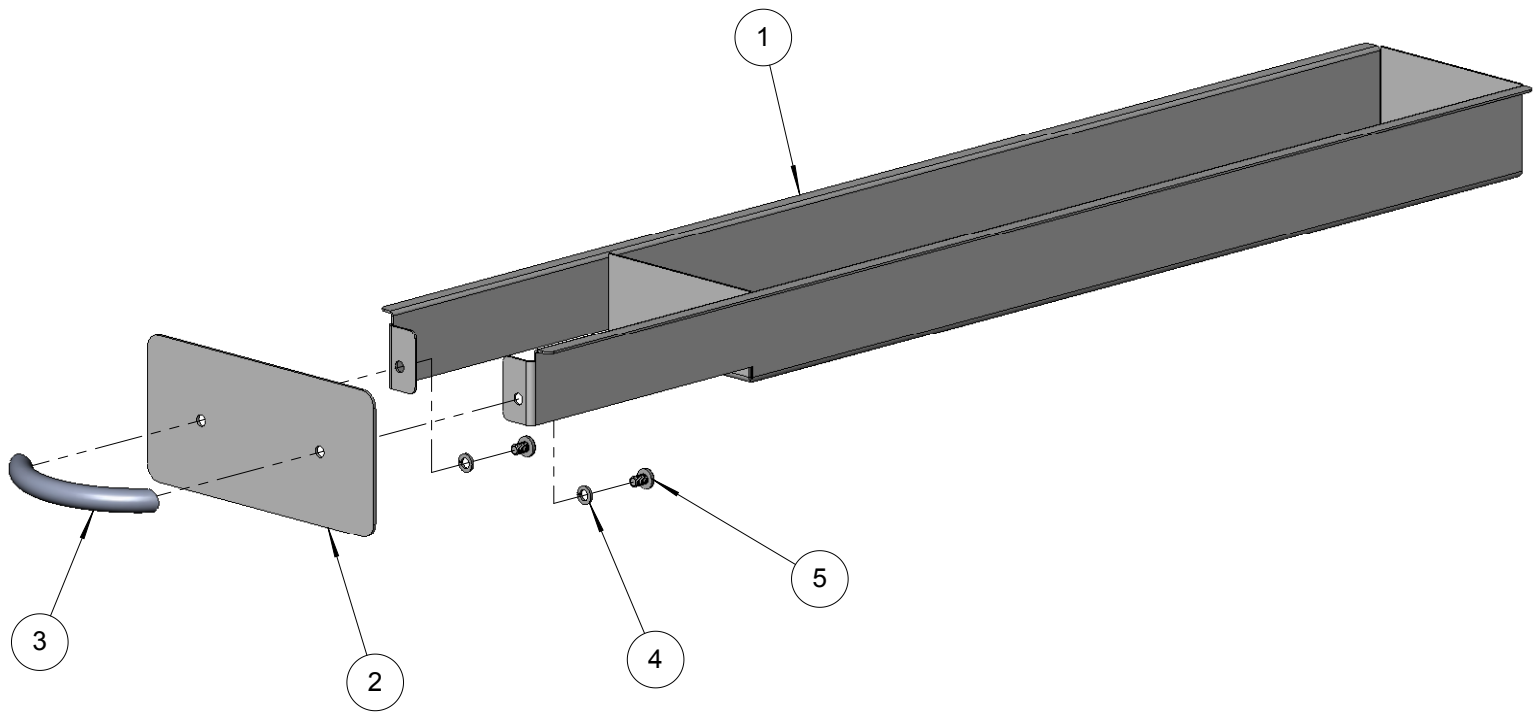
SHEET 1 C

BILL OF MATERIAL		
NO.	PART NUMBER	DESCRIPTION
1	100-0949	WEATHER COVER
2	100-1074	DUAL VLV FWALL COVE 4 U BURNER
3	100-1083	U-BURNER BACK WALL BRACKET
4	100-1132	BRIQUETTE TRAY
5	100-1163	56" CHAIN COVER
6	100-1164	56" BBQ - FRONT PANEL
7	100-1165	56" BBQ - FRONT SUPRT SIDE BURNER
8	100-1197	IGNITER MOUNTING PLATE LEFT
9	100-1212	ALX2-42 FIREWALL
10	200-0093	WASHER - PUSH LOCK 1/8" ID X 3/8" OD (FOR LOGO)
11	265-0005	BRIQUETTES - ALFRESCO CERAMIC (SET OF 24 PCS)
12	290-0031	LOGO - ALFRESCO
13	290-0038	BURNER - GRILL - "U" SHAPE
14	290-0059	ROTISSERIE DRIP PAN
15	290-0069	GRATE - DUAL SIDE BURNER
16	290-0096	FORK ASSEMBLY
17	290-0116	CHAIN - ANSI # 25 - 1/4" PITCH - .13" Ø X 1/8" ROLLER
18	290-0124	GRILL 30" BBQ - 12 1/4" WIDE - SS
19	290-0157	GRILL 30" BBQ - 11 1/4" WIDE - SS
20	290-0158	SPEAR - ROTISSERIE - 42" - 2006 BBQ
21	510-0128	BBQ TRAY SUPPORT ASSY - RIGHT SIDE
22	510-0134	SMOKER BURNER ASSEMBLY
23	510-0137	SMOKER TRAY ASSEMBLY
24	510-0152	42" BBQ - FIRE BOX ASSEMBLY
25	510-0168	WARMING RACK - 42" BBQ
26	510-0172	ALX2-56 BACK HOOD & RIM ASSEMBLY
27	510-0173	SIDE BURNER SUPPORT ASSEMBLY
28	510-0174	56" BBQ FRONT ASSEMBLY
29	510-0175	56" BBQ LX2 - GREASE TRAY
30	510-0196	ALX2-42 FRONT HOOD - MAIN ASSEMBLY
31	510-0202	ALX2-56 IGNITER MOUNT RIGHT
32	510-0211	ALX2-56 ELECTRICAL COMPONENTS
33	510-0223	ALX2-56 GAS MANIFOLD TRIPLE U-BURNER

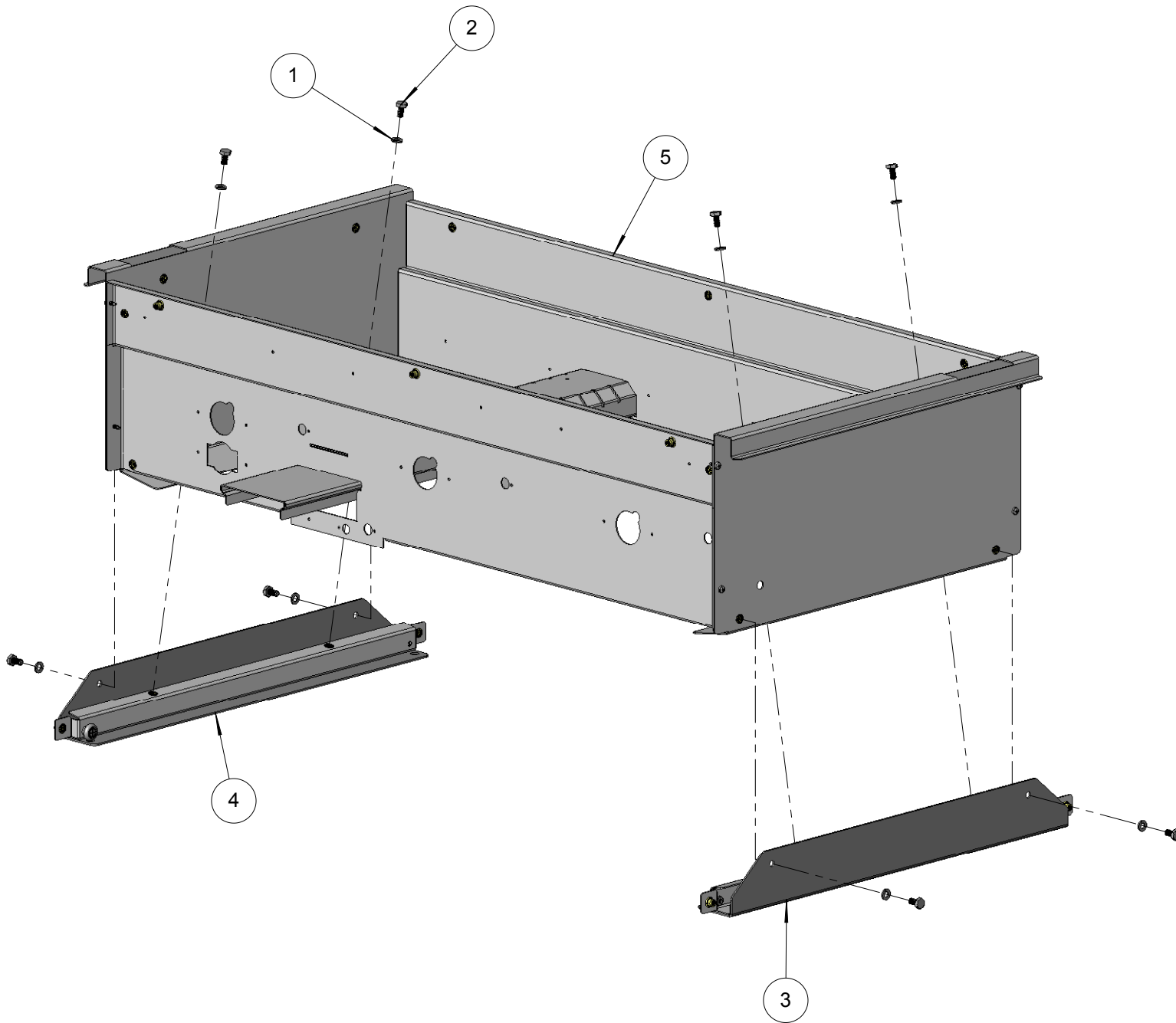


**BILL OF MATERIAL**

NO.	PART NUMBER	DESCRIPTION	QTY.
1	100-1081	SMOKER TRAY	1
2	100-1082	SMOKER TRAY HANDLE	1
3	290-0135	HANDLE - 3/8"Ø X 3" L - TAPPED	1
4	200-0200	WASHER - # 8 - LOCK SPRING - SS	2
5	200-0083	8-32 X 1/4 - PAN HEAD - PHILIPS SCREW	2

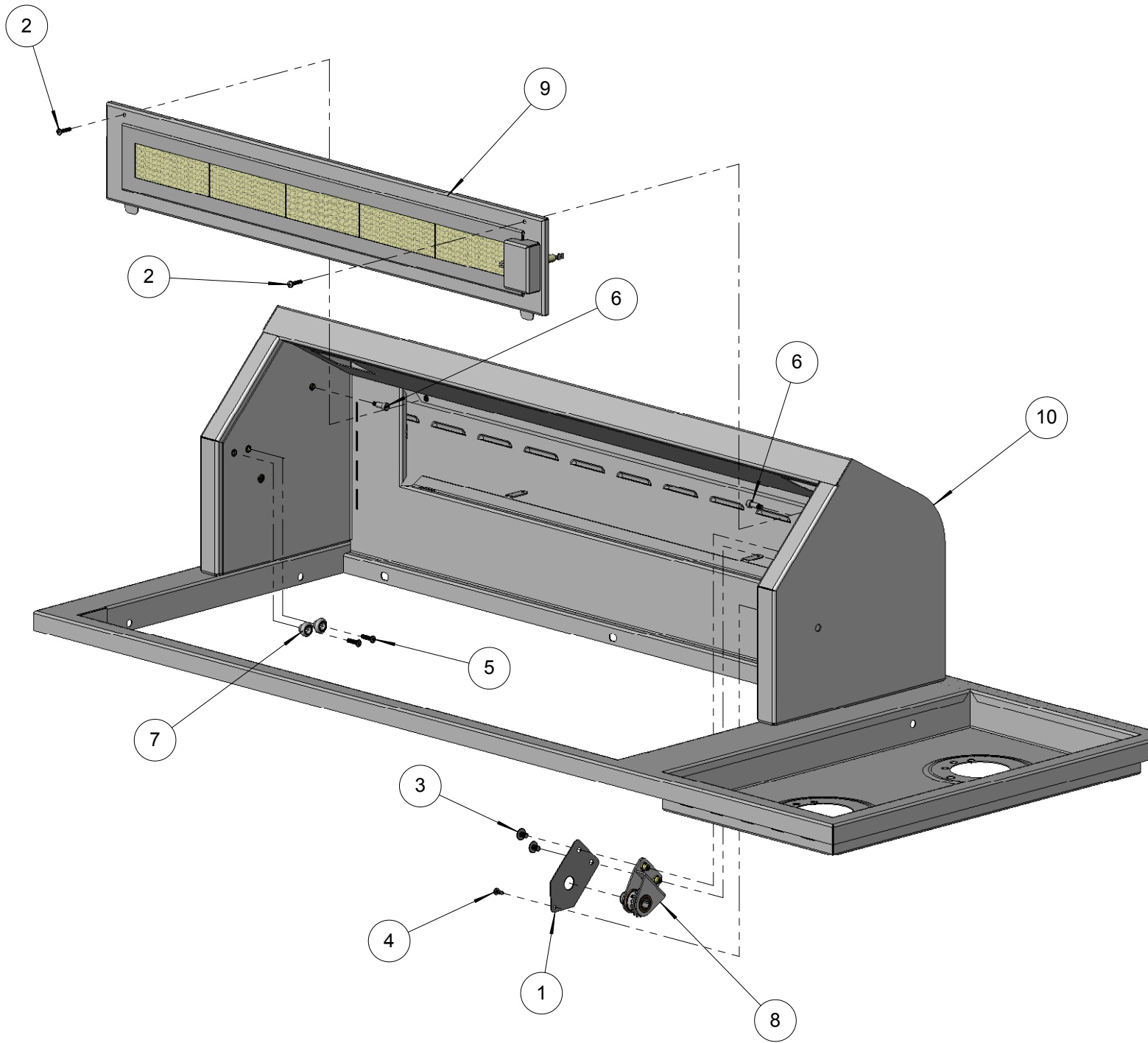


NO.	PART NUMBER	DESCRIPTION	QTY.
1	200-0087	1/4" LOCK WASHER	8
2	200-0089	1/4-20 X 1/2 - HEX HEAD BOLT	8
3	510-0128	BBQ TRAY SUPPORT ASSY - RIGHT SIDE	1
4	510-0129	BBQ TRAY SUPPORT ASSY - LEFT SIDE	1
5	510-0219	ALX2-42 FIREBOX - WELDED PARTS	1



**BILL OF MATERIAL**

NO.	PART NUMBER	DESCRIPTION	QTY.
1	100-1092	ROTISSERIE GEAR COVER	1
2	200-0079	8-32 X 3/4 - PAN HEAD - PHILIPS SCREW	2
3	200-0086	1/4-20 X 3/8 - TRUSS HEAD - PHILIPS SCREW	2
4	200-0111	SCREW 8-18 X 1/2 - SS - MMC# 92364A194	1
5	200-0148	SCREW 10-32 X 3/4" - FLAT HEAD - PHILIPS - 82° - SS	2
6	200-0166	SCREW 10-32 X 1/4 Ø X 1/2 SHOULDER - SS	2
7	290-0119	ROLLER WHEEL - STAINLESS STL - 3/4" Ø -	2
8	510-0139	ROTISSERIE GEAR ASSEMBLY	1
9	510-0218	42" BBQ - ROTISSERIE PANEL ASSY	1
10	510-0229	56" BBQ LX2 BACK HOOD & RIM ASSEMBLY - WELDED PARTS	1



**Alfresco**  
 SUPERIOR EQUIPMENT SOLUTIONS  
 7039 EAST SLAUSON AVENUE  
 COMMERCE, CA. 90040

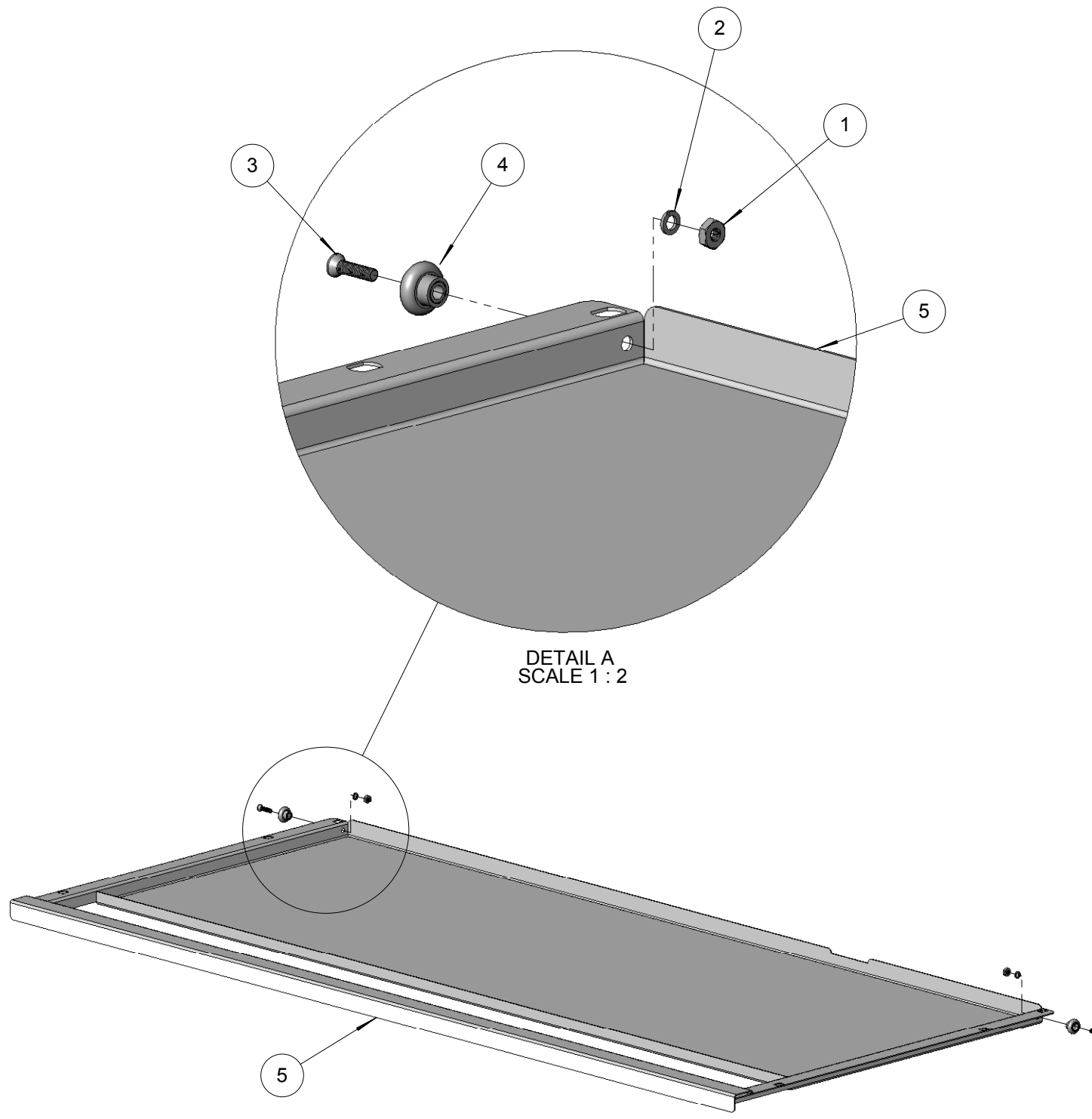
THE INFORMATION CONTAINED IN THIS DRAWING IS THE SOLE PROPERTY OF SUPERIOR EQUIPMENT SOLUTIONS INC. ANY REPRODUCTION IN PART OR AS A WHOLE WITHOUT WRITTEN PERMISSION FROM SUPERIOR EQUIPMENT SOLUTIONS, INC. IS PROHIBITED.  
**DRAWN BY: ADRIAN CRISCI**  
**CREATED: 2/16/2007 11:03:42 AM**

PROJECT TITLE:  
**ALX2-56 BBQ**  
 DRAWING TITLE:  
**ALX2-56 BACK HOOD & RIM ASSEMBLY**

DRAWING NO.:  
**510-0172 MANU**  
 SHEET 1 C

**BILL OF MATERIAL**

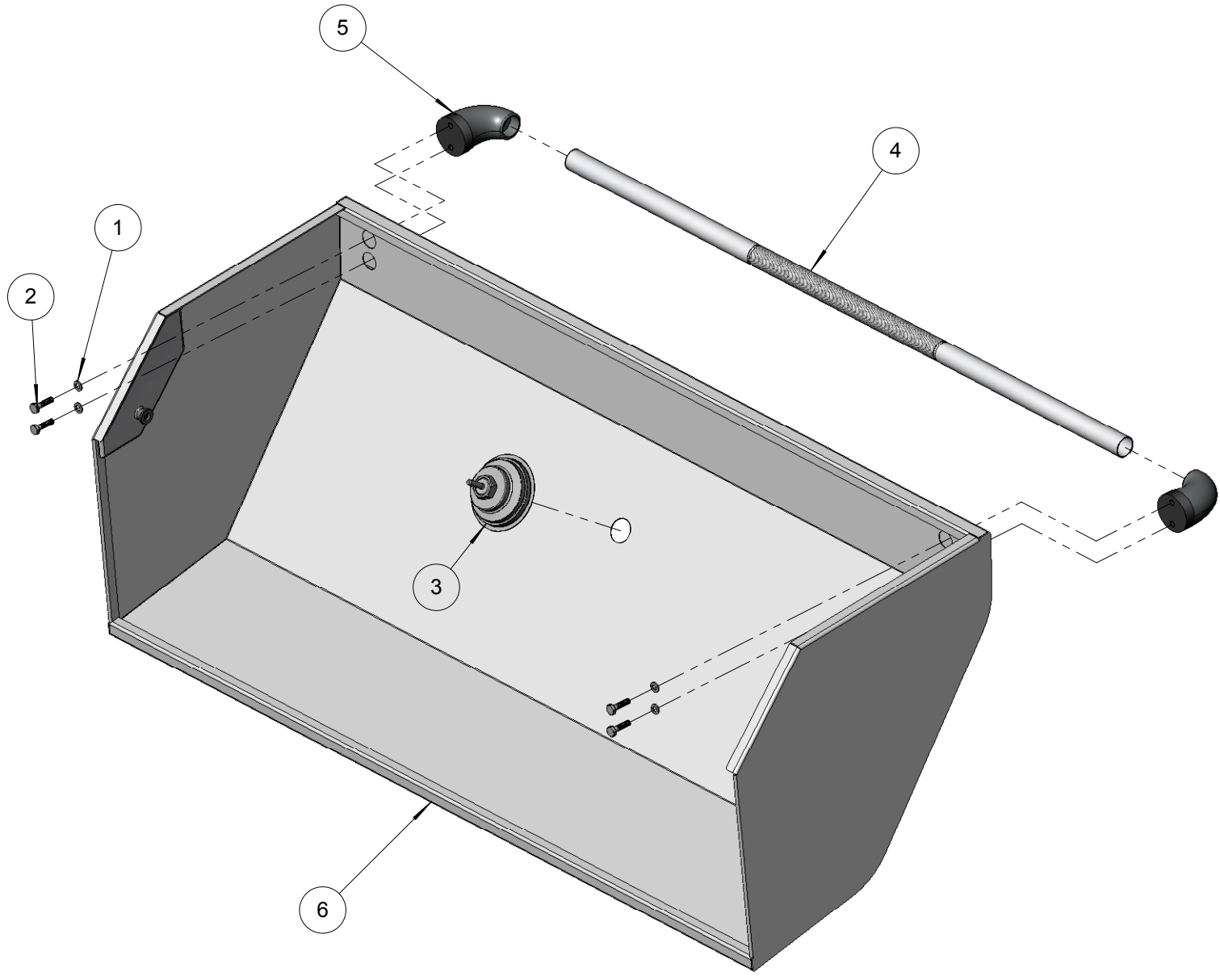
NO.	PART NUMBER	DESCRIPTION	QTY.
1	200-0073	10-32 - HEX NUT	2
2	200-0075	# 10 LOCK WASHER	2
3	200-0148	SCREW 10-32 X 3/4" - FLAT HEAD - PHILIPS - 82° - SS	2
4	290-0119	ROLLER WHEEL - STAINLESS STL - 3/4" Ø -	2
5	510-0230	ALX2-56 - GREASE TRAY - WELDED PARTS	1



DETAIL A  
SCALE 1 : 2

**BILL OF MATERIAL**

NO.	PART NUMBER	DESCRIPTION	QTY.
1	200-0087	1/4" LOCK WASHER	4
2	200-0091	HH- HD - 1/4-20 x 1 x .75 THREAD	4
3	210-0418	ALFRESCO - 3-1/8"Ø - ALX2 THERMOMETER	1
4	290-0055	HANDLE BAR - 36" KNURLED	1
5	290-0063	HANDLE - END CAP ASSEMBLY	2
6	510-0197	ALX2-42 FRONT HOOD - SKIN ASSEMBLY	1



**Alfresco**  
 SUPERIOR EQUIPMENT SOLUTIONS  
 7039 EAST SLAUSON AVENUE  
 COMMERCE, CA. 90040

THE INFORMATION CONTAINED IN THIS DRAWING IS THE SOLE PROPERTY OF SUPERIOR EQUIPMENT SOLUTIONS INC. ANY REPRODUCTION IN PART OR AS A WHOLE WITHOUT WRITTEN PERMISSION FROM SUPERIOR EQUIPMENT SOLUTIONS, INC. IS PROHIBITED.  
**DRAWN BY: ADRIAN CRISCI**  
**CREATED: 1/23/2007 2:57:46 PM**

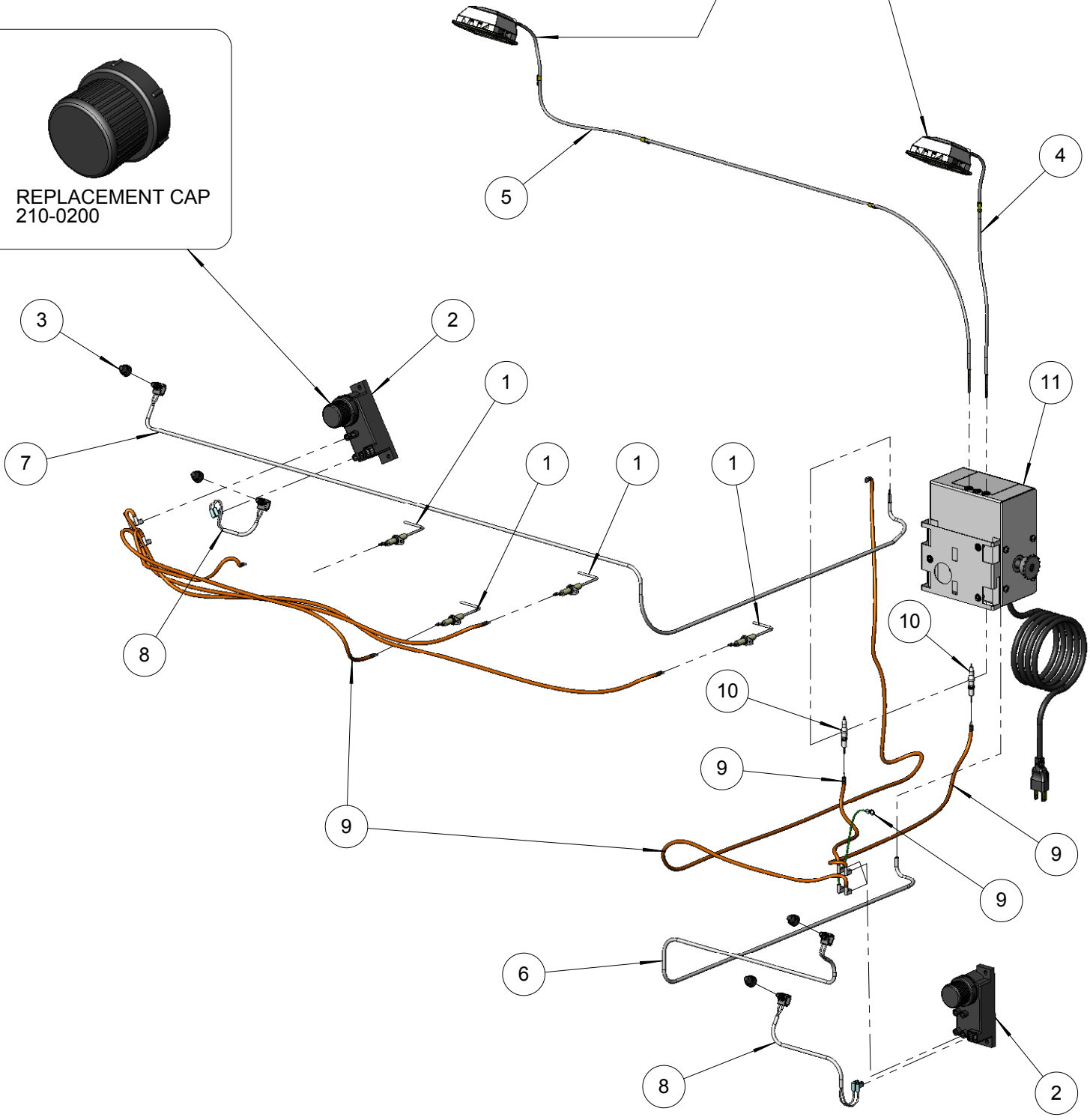
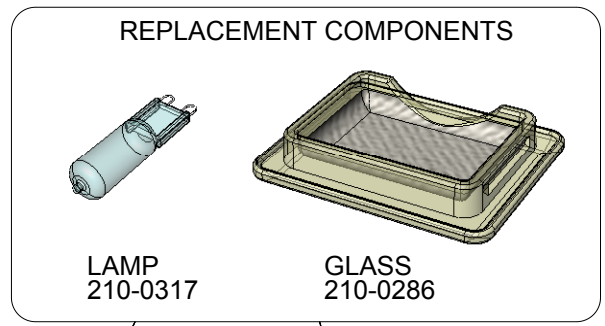
PROJECT TITLE:  
**ALX2-42 BBQ**  
 DRAWING TITLE:  
**ALX2-42 FRONT HOOD - MAIN ASSEMBLY**

DRAWING NO.:  
**510-0196 MANU**  
 SHEET 1 C



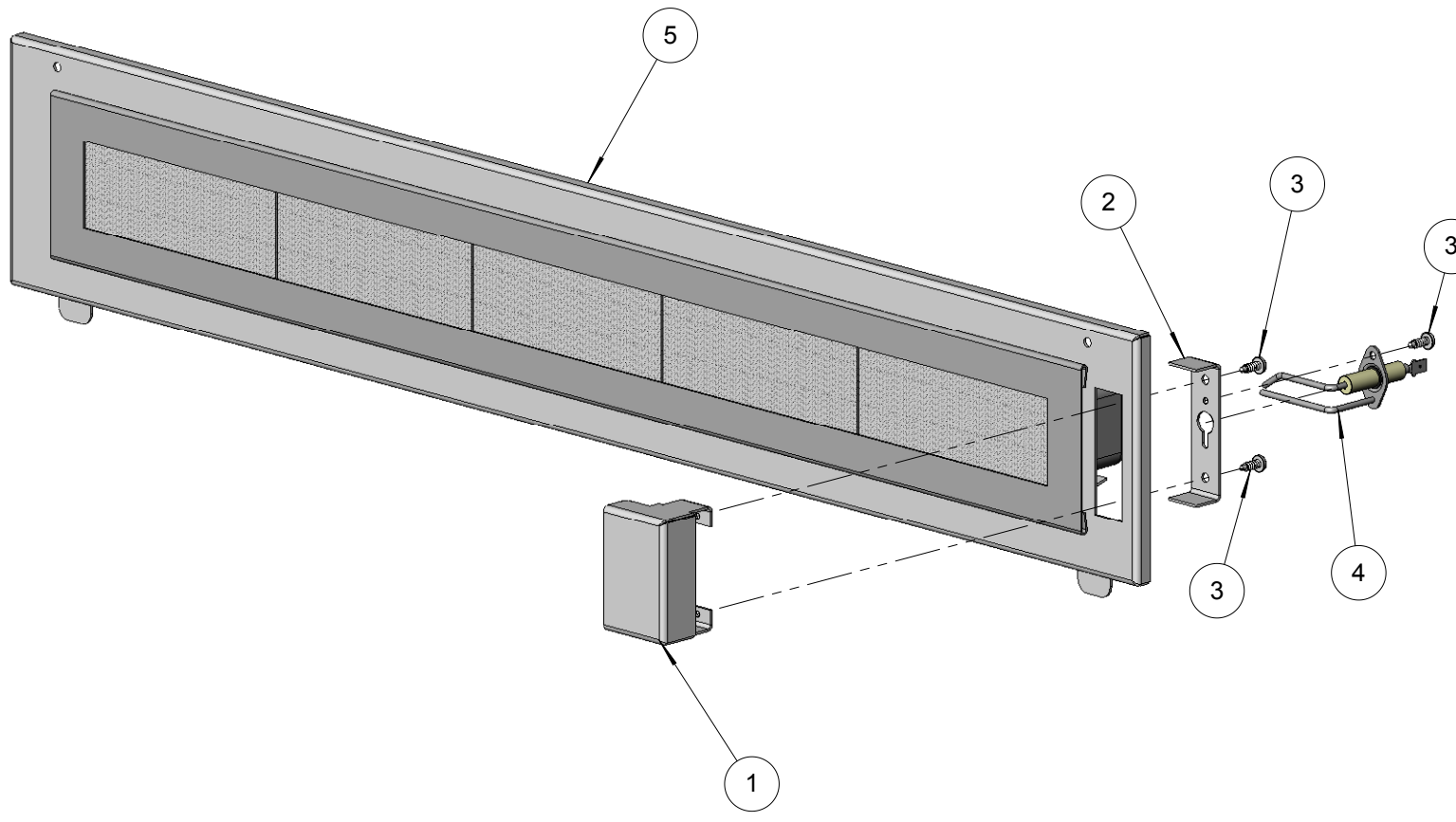
**BILL OF MATERIAL**

NO.	PART NUMBER	DESCRIPTION	QTY.
1	210-0189	ELECTRODE - "L" SHAPED - MAIN BURNER	4
2	210-0194	IGNITER MODULE - 4 POINTS (WITH CAP)	2
3	210-0198	SWITCH - WEATHER BOOT & CAP	4
4	210-0331	ALX2-BBQs RIGHT LAMP ASSEMBLY WITH HARNESS	1
5	210-0333	ALX2-42 LEFT LAMP ASSEMBLY WITH HARNESS	1
6	210-0336	ALX2-56 BBQ - LIGHT SWITCH WITH HARNESS	1
7	210-0338	ALX2-42 ROTISSERIE SWITCH WITH HARNESS	1
8	210-0340	SWITCH BBQ - IGNITER ONLY - OFF [ON] MOMENTARY	2
9	210-0345	ALX2-56 IGNITER WIRE KIT	1
10	290-0074	ELECTRODE ASSEMBLY >>> SEE NOTE	2
11	510-0200	ALX2 ROTISSERIE MOTOR ASSEMBLY & J-BOX	1



**BILL OF MATERIAL**

NO.	PART NUMBER	DESCRIPTION	QTY.
1	100-1225	ROTISSERIE ELECTRODE COVER	1
2	100-1226	ROTISSERIE ELECTRODE BRACKET	1
3	200-0111	SCREW 8-18 X 1/2 - SS - MMC# 92364A194	3
4	210-0240	ELECTRODE - DUAL TIP - IR BURNERS	1
5	510-0222	ALX2-42 - ROTISSERIE PANEL - WELDED PARTS	1

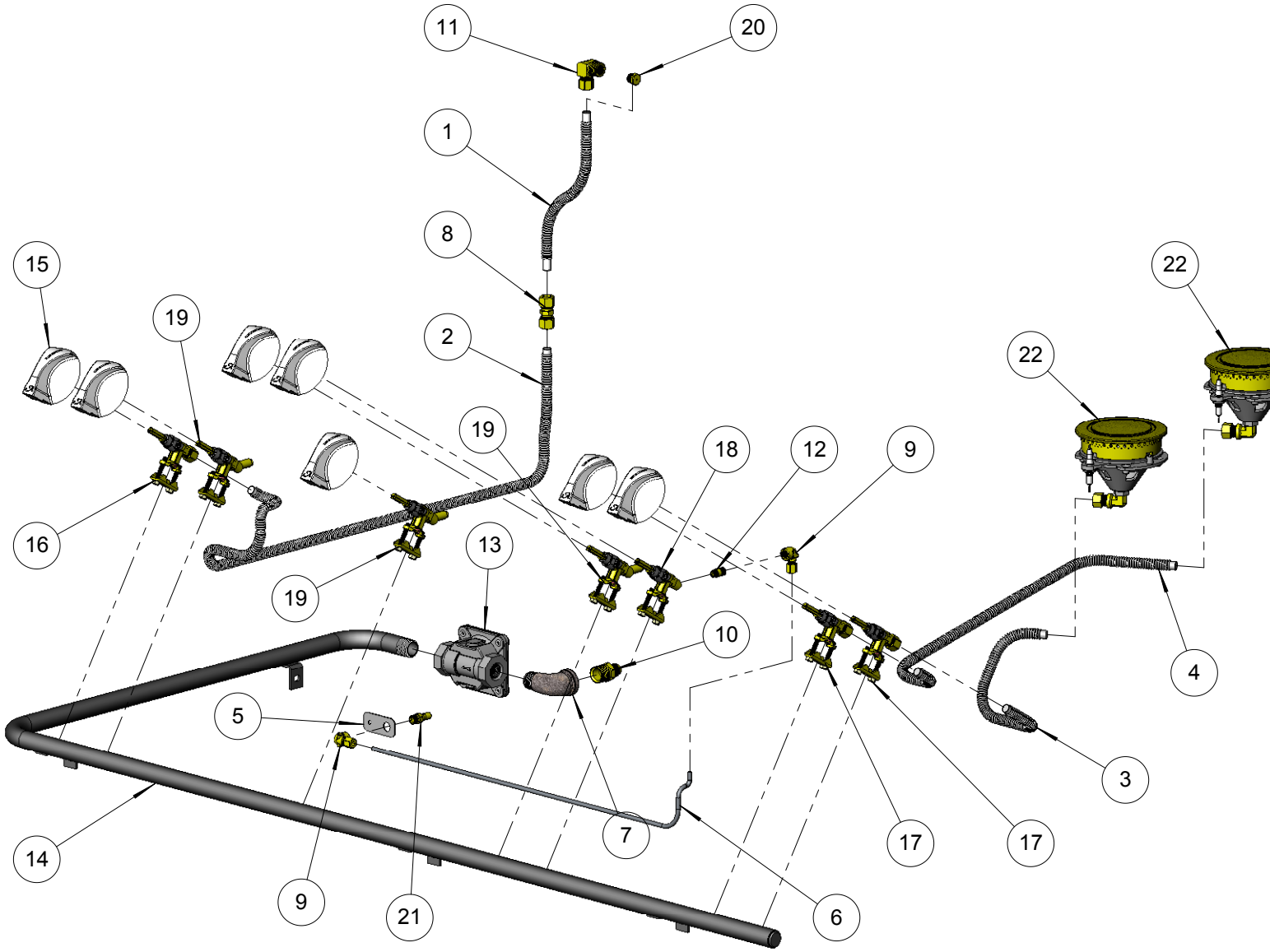


**BILL OF MATERIAL**

NO.	PART NUMBER	DESCRIPTION	QTY.
1	100-0917	ROTISSERIE GAS LINE EXTENSION - 3/8"Ø X 8" - SS	1
2	100-0914	ROTISSERIE GAS LINE (42"L x 3/8" Ø - SS. FLEX TUBE)	1
3	100-0917	ALX2-56 SIDE BURNER 8 in GAS LINE	1
4	100-0941	ALX2-56 SIDE BURNER 24 in GAS LINE.SLDPRT	1
5	100-1067	SMOKER & SZ™ ORIFICE BRACKET	1
6	100-1156	42" BBQ SMOKER GAS LINE	1
7	200-0274	ELBOW 90° - CAST IRON - 1/2" FPT x 1/2" MPT	1
8	220-0151	COUPLING 3/8" x 3/8" - COMPRESSION - BRASS	1
9	220-0273	ELBOW 90° - 1/8" FPT x 3/16" COMP	2
10	220-0275	NIPPLE - 1/2" MPT X 3/8" MPT	1
11	220-0276	ELBOW 3/8" MPT x 1/8" FPT x 3/8" COMP	1
12	220-0277	NIPPLE 1/8"MPT x 1/16"MPT	1
13	220-0280	REGULATOR GAS - MAXITROL RV48CL440002	1
14	220-0344	MANIFOLD - 56" BBQ LX2 DELUXE	1
15	290-0030	KNOB BBQ - ALFRESCO "A" LETTER	7
16	290-0041	GAS VALVE - STRAIGHT - WITHOUT ORIFICES	1
17	290-0042	GAS VALVE - SIDE BURNER - WITH INTERNAL ORIFICE	2
18	290-0066	GAS VALVE - ANGLED - ORIFICE: INT= 0.95 mm / EXT=NONE	1
19	SEE NOTE	GAS VALVE - ANGLED WITH ORIFICE >>> SEE NOTE	3
20	SEE NOTE	ORIFICE - IR ROTISSERIE UNIT >>> SEE NOTE	1
21	SEE NOTE	ORIFICE - SMOKER UNIT >>> SEE NOTE	1
22	SEE NOTE	SIDE BURNER ASSEMBLY >>> SEE NOTE	2

**NOTE:**  
ORIFICE, VALVE OR BURNER  
TO CHANGE ACCORDING TO  
GAS SUPPLY. (NG OR LP)

ITEM N°	NG	LP
	PART N°	PART N°
19	290-0064	290-0065
20	220-0285	220-0286
21	220-0287	220-0288
22	290-0070	290-0071



**Alfresco**  
SUPERIOR EQUIPMENT SOLUTIONS  
7039 EAST SLAUSON AVENUE  
COMMERCE, CA. 90040

THE INFORMATION CONTAINED IN THIS DRAWING IS THE SOLE PROPERTY OF SUPERIOR EQUIPMENT SOLUTIONS INC. ANY REPRODUCTION IN PART OR AS A WHOLE WITHOUT WRITTEN PERMISSION FROM SUPERIOR EQUIPMENT SOLUTIONS, INC. IS PROHIBITED.  
**DRAWN BY: ADRIAN CRISCI**  
**CREATED: 2/5/2007 2:39:46 PM**

PROJECT TITLE:  
**ALX2-56 BBQ**  
DRAWING TITLE:  
**ALX2-56 GAS MANIFOLD TRIPLE U-BURNER**

DRAWING NO.:  
**510-0223 MANU**  
SHEET 1 C

LIGHT SWITCH

MOTOR SWITCH

TERMINAL BLOCK  
210-0302

JUMPER

JUMPER

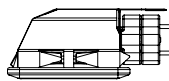
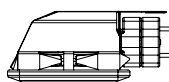
ROTISSERIE  
MOTOR

N

~ 115 VAC - 50/60 Hz.

L

G



LIGHTS  
(2) 120 VAC x 40W  
MODEL: G940120  
SOCKET: G9

