

This Owner's Manual is provided and hosted by [Appliance Factory Parts](#).



# CUISINART CCG-100 Owner's Manual

[Shop genuine replacement parts for CUISINART  
CCG-100](#)



[Find Your CUISINART Grill Parts - Select From 152 Models](#)

----- Manual continues below -----



Outdoor Grilling Products

# PORTABLE CHARCOAL GRILL

MODEL: CCG-100

## ASSEMBLY AND OPERATING INSTRUCTIONS



### **⚠ WARNING: FOR OUTDOOR USE ONLY**

- ⚠ This instruction manual contains important information necessary for the proper assembly and safe use of the grill
- ⚠ Read and follow all warnings and instructions before assembling and using the grill
- ⚠ Follow all warnings and instructions when using the grill
- ⚠ Keep this manual for future reference

**Note to installer:** Leave this Owner's Manual with the consumer after delivery and/or installation.

**Note to customer:** Leave this Owner's Manual in a convenient place for future reference.

### **⚠ DANGER**

#### **CARBON MONOXIDE HAZARD**

**Do Not Use Indoors! Burning charcoal releases carbon monoxide gas. If used indoors or in a poorly ventilated area, the gas can accumulate and cause serious injury or death.**

#### **⚠ DANGER**

Do not use gasoline, alcohol or other flammable liquids to light charcoal. Use only charcoal lighter fluid following the manufacturer's instructions.

#### **⚠ DANGER**

Failure to follow these instructions could result in fire, explosion or burn hazard, which could cause property damage, personal injury or death.

#### **⚠ DANGER**

1. Never operate this grill unattended.
2. Never operate this grill within 10 feet (3.05m) of any flammable material.
3. Never operate this grill with 25 feet (7.5m) of any flammable liquid.
4. If a fire should occur, keep away from the grill and immediately call your fire department . Do not attempt to extinguish an oil or grease fire with water.

#### **⚠ DANGER**

Failure to follow these instructions could result in fire, explosion or burn hazard, which could cause property damage, personal injury or death.

## Table of Contents

# 1. Warnings and Safety Instructions 2 – 3

---

# 2. Illustrated Parts List 4

---

# 3. Assembly Instructions 5

---

# 4. Operating Your Grill

---

## 4.1 Select a Proper Location 7

---

## 4.2 Gratelifter™ Feature Operation 8

---

## 4.3 Air Vent Operation 9

---

## 4.4 lighting Instructions 10

---

## 4.5 When Finished Cooking 11

---

# 5. Warranty 12

---

## 1. Warnings and Safety Instructions

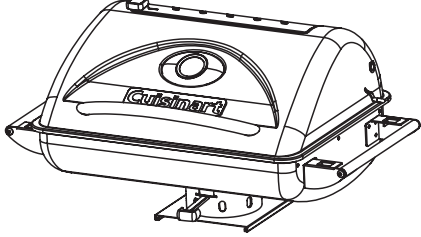
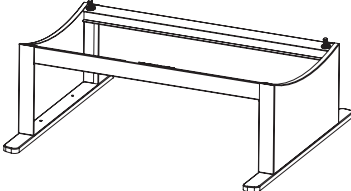
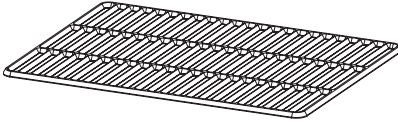
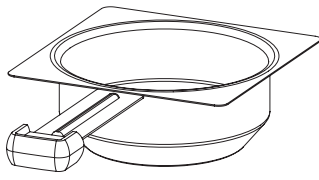
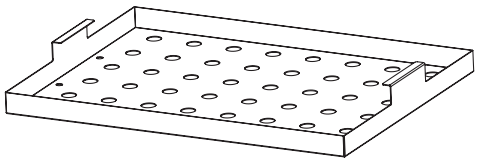
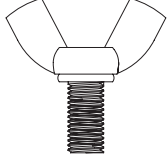


If these instructions are ignored, there is a possibility of a hazardous fire or explosion which could result in physical injury or property damage! It is your responsibility to assemble, operate and maintain your grill properly.

**READ ALL WARNINGS AND INSTRUCTIONS PRIOR TO ASSEMBLING AND OPERATING YOUR GRILL**

## **WARNINGS:**

- ⚠ This grill is for outdoor use only. It should NOT be used in a building, garage or any other enclosed area.**
- ⚠ The use of alcohol, prescription or non-prescription drugs may impair an individual's ability to properly assemble or safely operate this grill.**
- ⚠ Do not leave the grill unattended.**
- ⚠ Keep children and pets away from the grill all the times.**
- ⚠ Do not use the grill in high wind.**
- ⚠ Do not use gasoline, kerosene or alcohol for lighting. Use only charcoal lighter fluid. Follow manufacturer's instructions.**
- ⚠ Do not add charcoal lighter fluid or charcoal impregnated with charcoal lighter fluid to hot or warm charcoal.**
- ⚠ Do not remove ashes until all charcoal is completely burned out or completely extinguished.**
- ⚠ Open the lid while lighting and getting charcoal started.**
- ⚠ Always put charcoal on top of the charcoal tray and not directly into the bottom of the firebox.**
- ⚠ Use grill mitts or hot pads to protect hands while adjusting grill air vents.**
- ⚠ To extinguish coals do not use water. Close vents and lid and wait until grill cools below 115°F(45°C).**
- ⚠ Handle and store hot electric starters carefully. Never use charcoal lighter fluid or charcoal impregnated with charcoal lighter fluid with an electric starter. Follow electric starter manufacturer's instructions carefully.**
- ⚠ When using lighter fluid always check ash collection tray before lighting . fluid can accumulate in the ash collection tray, resulting in a fire below the firebox. Remove any fluid from ash collection tray prior to lighting.**
- ⚠ Do not attempt to move the grill when in use. Allow the grill to cool to 115°F(45°C) before moving or storing.**
- ⚠ Do not use the grill unless it is COMPLETELY assembled and all parts are securely fastened and tightened. If there are any missing or damaged parts, contact customer service for a replacement.**
- ⚠ Do not alter the grill in any manner.**
- ⚠ This grill is not intended to be installed in or on a boat or recreational vehicle.**
- ⚠ Locate the grill away from any combustible materials or construction by at least 10 feet in all directions. Never use grill under any overhang or enclosure.**
- ⚠ This grill is not intended for and should never be used as a heater.**
- ⚠ This grill will be hot during and after use. Use insulated oven mitts or gloves for protection from hot surfaces or splatter from cooking liquids.**
- ⚠ This grill is not intended for commercial use.**
- ⚠ Combustion by-products produced when using this product contain chemicals known to the state of California to cause cancer, birth defects, or other reproductive harm.**

## 2. Illustrated Parts List

1.		Lid & Firebox	1 pc
2.		Grill Leg Assembly	1 pc
3.		Cooking Grate	1 pc
4.		Ash collection tray	1 pc
5.		Charcoal tray	1 pc
A.		Wing bolt	4 pcs
B.		Wing nut	4 pcs
C.		Washer M6	8 pcs

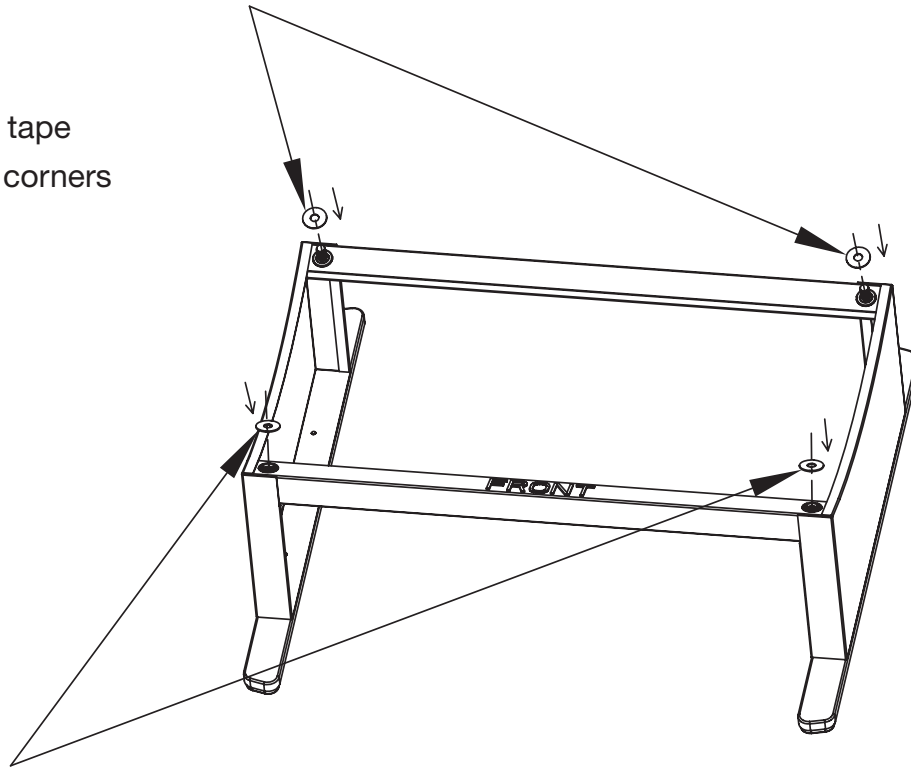
North American Distributor: The Fulham Group, Newton, MA 02466

### 3. Assembly Instructions

Remove all the contents from packaging, and make sure all parts are present before attempting to assemble!

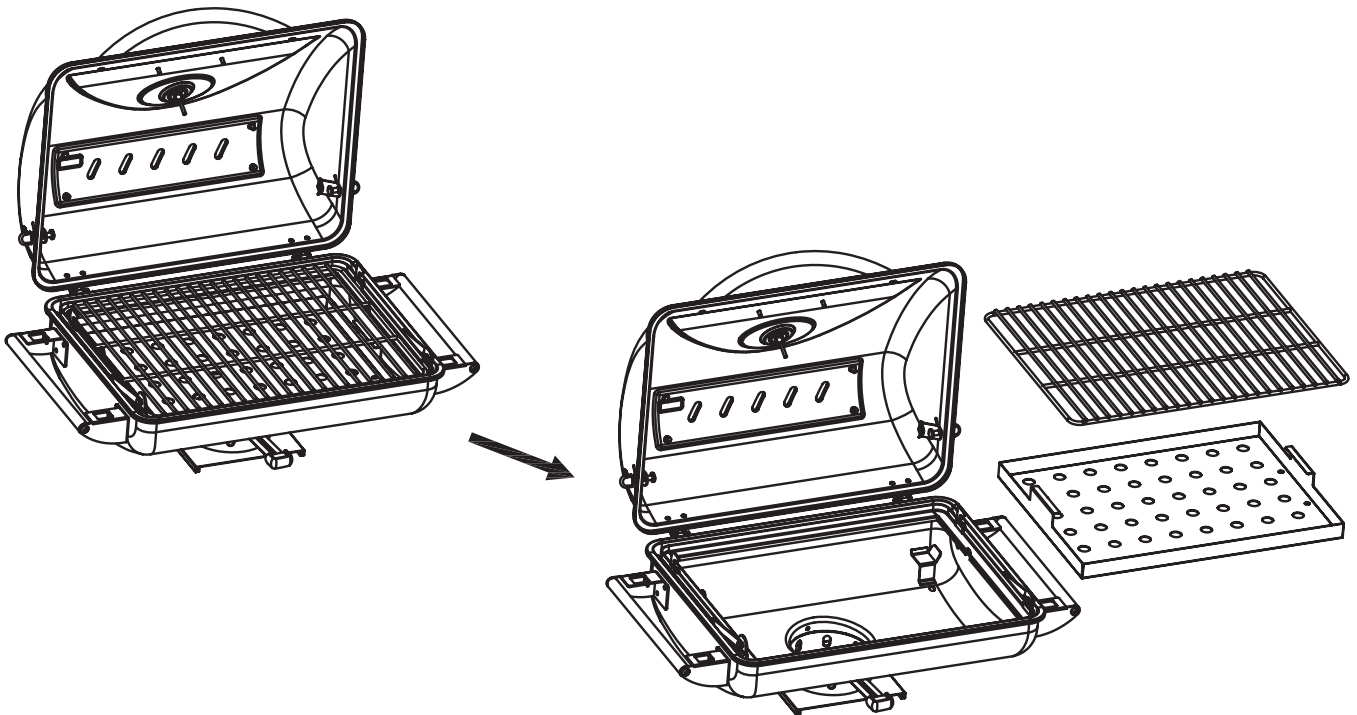
#### Step 1:

Attach double sided tape washers on the four corners



#### Step 2:

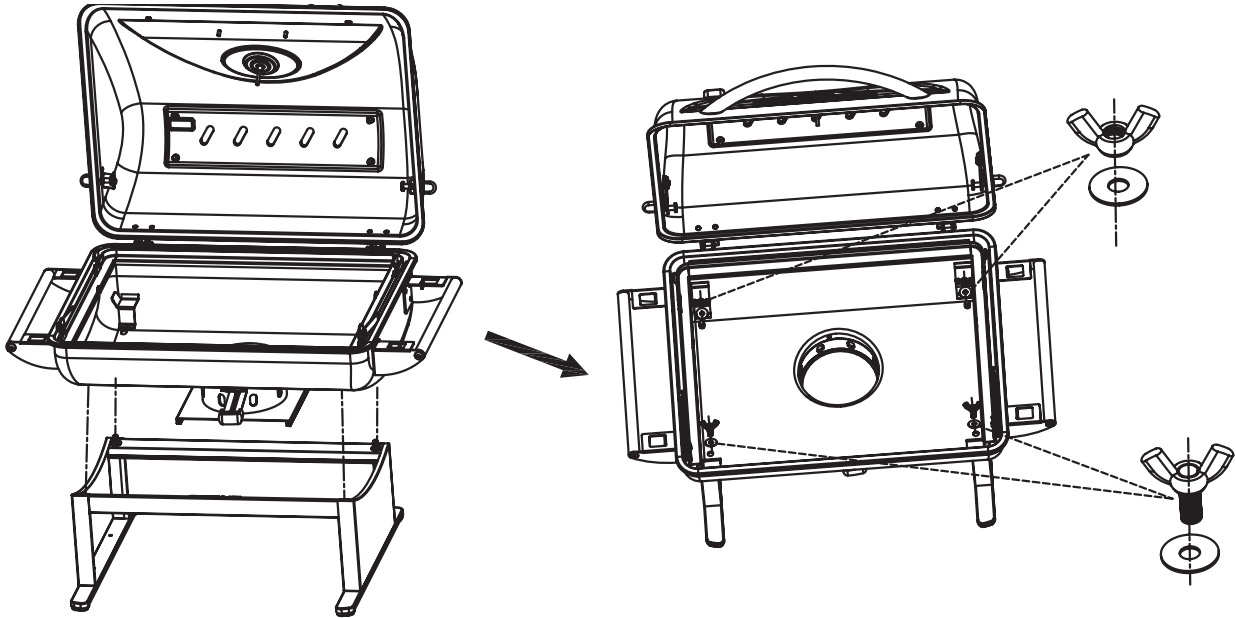
Remove cooking grate and charcoal tray



### 3. Assembly Instructions

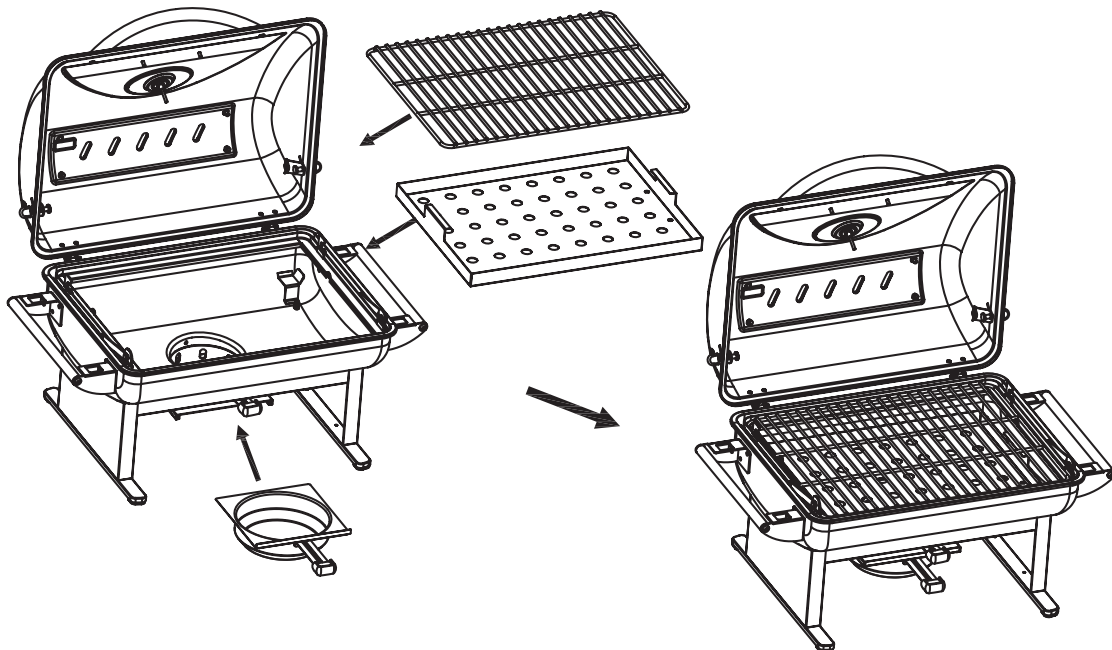
#### Step 3:

Attach the grill leg assembly to the bottom of the grill lid & firebox assembly by using washers and screws in the front and nuts in the back. Be sure to place the front of the grill over the side of the leg assembly stamped with the word "front" facing the front.



#### Step 4:

Replace the charcoal tray and the cooking grate. Insert ash collection tray in to track as shown



## 4. Operating Your Grill

### 4.1 Select a Proper Location

Once you have assembled your new grill, find a suitable location for use.

#### **DANGER**

- **Never use this outdoor grill inside any building, garage, shed or breezeway, under an overhang or inside any boat, trailer or recreational vehicle, to prevent possible fire and to prevent the possibility of carbon monoxide poisoning or asphyxiation.**
- **Always place your grill on a hard and level surface far away from combustible materials and structures.**
- **Do not use this grill under overhead combustible surface or covered area ( e.g., awnings, umbrellas, porches or gazebos ). Keep all combustible surfaces at least 10 feet (3 meters) away.**
- **Locate the grill away from any combustible and non-combustible material or construction by at least 10 feet (3m)**
- **Never store or use gasoline or other flammable or volatile substances in the vicinity of this grill or in the vicinity of any other heat-generating appliance, because of the danger of starting a fire.**
- **Do not obstruct the flow of combustion and ventilation air.**



## 4.2 Gratelifter™ Feature Operation

Your grill is equipped with Cuisinart's Gratelifter feature. This allows you to lift the cooking grate up to allow you to access the charcoal tray area. The feature can be enabled or disabled by two levers on the grill lid.

### **⚠ DANGER**

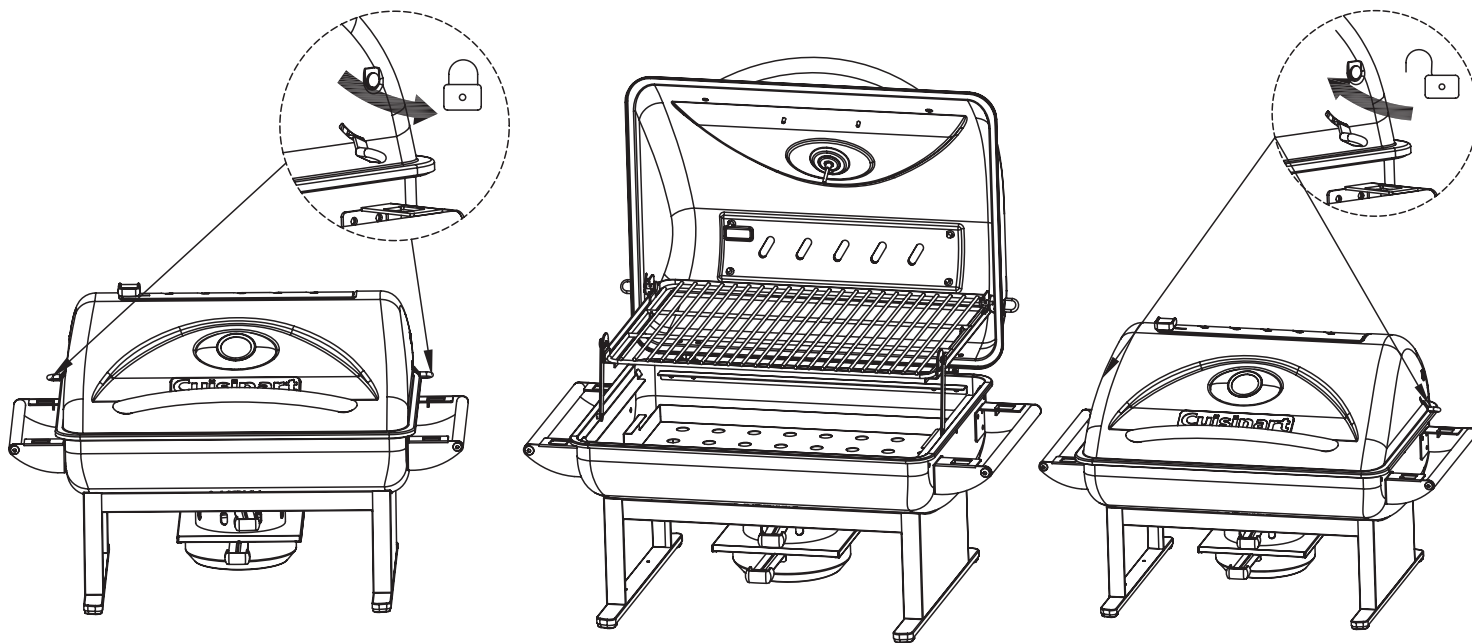
- **Never attempt to operate the Grate Lifter levers with the grill lid open**

For charcoal access, engage the Gratelifter feature:

- 1 Close the grill lid.
- 2 Push the two levers located on the sides of the grill lid away from you until they stop
- 3 **BE SURE TO PUSH BOTH LEVERS, NOT JUST ONE**
- 4 The Gratelifter feature is now engaged, and lifting the lid will raise the cooking grate

For normal cooking, or other time when you do not wish the cooking grate to be raised, disengage the Gratelifter feature:

- 1 Close the grill lid
- 2 Pull the two levers located on the sides of the grill toward you until they stop.
- 3 **BE SURE TO PULL BOTH LEVERS, NOT JUST ONE**
- 4 The Gratelifter feature is now disengaged, and the cooking grate will not be raised.



## 4.3 Air Vent Operation

Your grill has two airflow control vents; an inlet vent on the bottom of the firebox above the ash collection tray, and an air exhaust vent at the top of the lid. By adjusting the amount of vent opening, you can adjust the temperature of your grill.

### **⚠ DANGER**

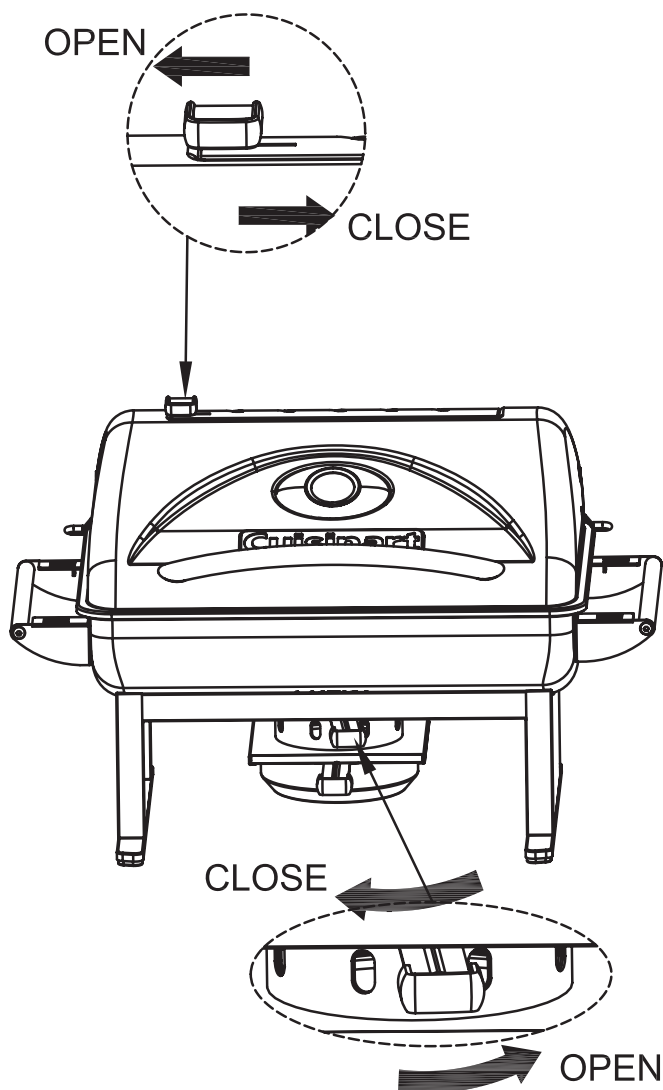
- **The vents and vent controls and the metal surfaces around them will become very hot during grill use. Use grill mitts or hot pads to adjust vents when grill is in use.**

#### **Air Inlet Vent:**

- This vent is controlled by rotating the vent control handle from side to side as shown.
- Move the control handle to the left to close the inlet vent, and to the right to open it.

#### **Air Exhaust Vent:**

- This vent is controlled by sliding the vent control handle in and out as shown.
- Move the control handle toward the center of the grill to close the vent, and toward the edge of the grill to open.



## 4.4 Lighting instructions

### **DANGER**

- **Do not use gasoline, kerosene or alcohol for lighting. Use only charcoal lighter fluid. Follow manufacturer's instructions.**
  - **Do not add charcoal lighter fluid or charcoal impregnated with charcoal lighter fluid to hot or warm charcoal.**
  - **Do not overfill charcoal tray. Excess charcoal may cause a fire, or may cause damage to your grill.**
1. Read all instructions before lighting.
  2. Leave lid open during charcoal lighting and heat up period
  3. Carefully follow all instructions accompanying charcoal lighter fluid, electric charcoal starters, and or charcoal.
  4. Fully open air vents on grill lid and above ash collection bin
  5. Engage the Gratelifter feature as described in section 4.2
  6. Ensure that the charcoal tray is in the grill, and positioned properly
  7. Ensure that the ash collection tray is empty (NEVER remove hot ashes; follow ash removal instructions in section 4.5)
  8. Open both vents as described in section 4.3
  9. Place desired amount of charcoal onto charcoal tray. Use no more than will cover the charcoal tray in a single layer. Overfilling the charcoal tray with charcoal can cause injury and damage your grill.

## ELECTRIC STARTER

- Follow electric starter manufacturer's instructions
- Use caution when removing hot starter

## CHIMNEY STARTER

- 1 For best results with a chimney starter, remove cooking grate and set aside.
- 2 Put desired amount of charcoal in chimney starter
- 3 Place crumpled newspaper under the starter and light, being sure to follow the starter manufacturer's instructions
- 4 Carefully pour ignited coals onto charcoal tray, using mitts, gloves, eye protection, and any other protective equipment recommended by the starter manufacturer.
- 5 Replace cooking grate using a grilling mitt or grate lifting tool.

## SELF STARTING CHARCOAL

### **DANGER**

- **Do not add charcoal lighter fluid or charcoal impregnated with charcoal lighter fluid to hot or warm charcoal.**
- Arrange desired amount of charcoal and ignite following manufacturer's instructions

## LIGHTER FLUID

### **DANGER**

- **Follow all instructions on lighter fluid container.**
- **When using lighter fluid always check ash collection tray before lighting. Fluid can accumulate in the ash collection tray, resulting in a fire below the firebox. Remove any fluid from ash collection tray prior to lighting.**
- **Do not add charcoal lighter fluid or charcoal impregnated with charcoal lighter fluid to hot or warm charcoal.**

- 1 Place desired coals onto charcoal tray. Arrange as indicated by lighter fluid manufacturer
- 2 Following lighter fluid manufacturer instructions, apply lighter fluid to charcoal
- 3 Be sure to allow all lighter fluid to burn off prior to cooking, or noticeable flavors can be added to food

\* Before cooking on this grill for the first time, allow the grill to stand for about 15 minutes with the lid closed and both vents completely open. This will “heat clean” the internal parts and dissipate odor from the painted finish.

\*Clean your grill after each use. DO NOT use abrasive or flammable cleaners, As it will damage the parts of this product and may start a fire. Clean with warm soapy water.

## 4.5 When Finished Cooking

### **DANGER**

- **Never use water to extinguish charcoal.**
- **Do not remove ashes until all charcoal is completely burned out or completely extinguished.**

1. Close grill lid, and close both vents as shown in section 4.2
2. The charcoal will slowly cool
3. Once charcoal is cool, slide out ash collection tray and dispose into a metal container.

## 5. Warranty

This warranty covers defects in parts and workmanship for a period of 3 years from the original purchase date. Any damage claim regarding the enameling must be submitted within 30 days of purchase to be covered by the warranty.

**The following conditions are NOT covered by this warranty:**

- Unevenness and color variations in the enamel coating.
- Damage caused by improper assembly or disregard of the manual.
- Use of spare parts not supplied by manufacturer.
- Damage resulting from modifications or inappropriate use.
- Abuse of the grill
- Damage caused by improper maintenance or repairs by an unauthorized person.

**Limitations and exclusions:**

1. This warranty applies only to the original purchaser and may not be transferred.
2. If you can not verify the purchase date of the grill the warranty period will begin on the date the grill was manufactured.
3. Replacement or repair parts are warranted for the remaining period of the original part warranty.

**Your obligations:**

This grill must be assembled, installed, operated and maintained in accordance with all applicable codes and the instruction manual furnished with this grill. You must keep an invoice, cancelled check or payment record to verify the purchase date of the grill.

**For customer service please call or write:  
1-866-994-6390**

North American Distributor:  
The Fulham Group  
130 Rumford Ave.  
Newton, MA 02466

**[www.cuisinart.com](http://www.cuisinart.com)**

**Model # CCG-100**