

This Owner's Manual is provided and hosted by [Appliance Factory Parts](#).



Jenn Air TC707S1 Owner's Manual

[Shop genuine replacement parts for Jenn Air TC707S1](#)



[Find Your Jenn Air Trash Compactor Parts - Select From 20 Models](#)

----- Manual continues below -----

JENN-AIR® COMPACTORS/COMPACTEURS

INTEGRATED
INTÉGRÉS

Use & Care Guide

For questions about features, operation/performance, parts, accessories, or service in the U.S.A., call:
1-800-JENNAIR (1-800-536-6247) or visit our website at **www.jennair.com**.
In Canada, call: **1-800-807-6777**, or visit our website at **www.jennair.ca**.

Guide d'utilisation et d'entretien

Au Canada, pour assistance, installation ou service, composez le **1-800-807-6777** ou visitez notre site Web **www.jennair.ca**.

Table of Contents/Table des matières 2

JENN-AIR®

W10242571A

TABLE OF CONTENTS

COMPACTOR SAFETY	3
INSTALLATION INSTRUCTIONS	4
Unpacking	4
Location Requirements	4
Electrical Requirements	5
Undercounter Installation	6
COMPACTOR USE	8
How Your Compactor Works	8
Loading	8
Starting Your Compactor	8
Using Compress (Locked) Cycle	8
Using the Air Filter	9
Removing a Filled Bag	9
Installing a New Bag	9
COMPACTOR CARE	10
Changing the Air Filter	10
Cleaning	10
TROUBLESHOOTING	11
RECYCLING WITH YOUR COMPACTOR	11
ASSISTANCE OR SERVICE	13
Accessories	13
WARRANTY	14

TABLE DES MATIÈRES

SÉCURITÉ DU COMPACTEUR	15
INSTRUCTIONS D'INSTALLATION	16
Déballage	16
Exigences d'emplacement	16
Spécifications électriques	17
Installation sous un comptoir	17
UTILISATION DU COMPACTEUR	20
Fonctionnement du compacteur	20
Chargement	20
Mise en marche du compacteur	20
Utilisation du programme Compress (compression solide) (Verrouillé)	20
Utilisation du filtre à air	21
Enlèvement d'un sac rempli	21
Installation d'un nouveau sac	21
ENTRETIEN DU COMPACTEUR	22
Changement du filtre à air	22
Nettoyage	22
DÉPANNAGE	23
RECYCLAGE AVEC VOTRE COMPACTEUR	24
ASSISTANCE OU SERVICE	25
Accessoires	25
GARANTIE	27

COMPACTOR SAFETY

Your safety and the safety of others are very important.

We have provided many important safety messages in this manual and on your appliance. Always read and obey all safety messages.



This is the safety alert symbol.

This symbol alerts you to potential hazards that can kill or hurt you and others.

All safety messages will follow the safety alert symbol and either the word "DANGER" or "WARNING." These words mean:

! DANGER

You can be killed or seriously injured if you don't immediately follow instructions.

! WARNING

You can be killed or seriously injured if you don't follow instructions.

All safety messages will tell you what the potential hazard is, tell you how to reduce the chance of injury, and tell you what can happen if the instructions are not followed.

IMPORTANT SAFETY INSTRUCTIONS

WARNING: When using an electrical appliance, basic precautions should always be followed, including the following:

- Read all instructions before using the compactor.
- Close supervision is necessary when used by or near children. Do not allow to be used as a toy, or to run unattended at any time. Lock Key Switch when not in use and store key out of reach of children.
- Do not touch moving parts.
- Do not operate with a damaged cord set, plug, motor, or after damage in any manner. Have the compactor examined, repaired or adjusted by an authorized serviceperson.
- Use only for intended use as described in this manual. Do not use other than manufacturer's recommended attachments.
- Do not compact toxic or volatile flammable material such as oily rags and insect sprays. Do not compact lighted cigarettes, cigars, or other hot or burning items. Do not overload the compactor.
- Do not take apart the compactor. Incorrect reassembly can cause electric shock when subsequently used.
- Handle a loaded trash bag with care. Sharp objects can pierce the bag and cause injury. Do not overload trash bag with heavy material such as glass.
- This compactor is intended for household use only.

SAVE THESE INSTRUCTIONS

INSTALLATION INSTRUCTIONS

Installer: Leave Use and Care Guide with the homeowner.

Homeowner: Keep Use and Care Guide for future reference and for local electrical inspector's use, if required.

Unpacking

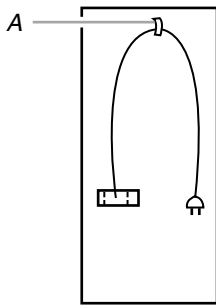
⚠ WARNING

Excessive Weight Hazard

Use two or more people to move and install compactor.
Failure to do so can result in back or other injury.

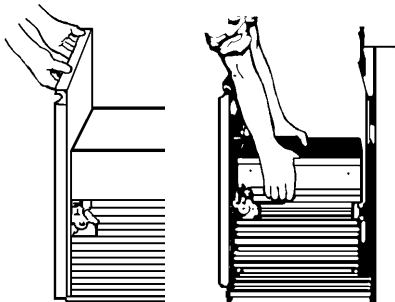
IMPORTANT:

- Do not grasp console to move compactor.
 - Begin in the room where the compactor will be located.
1. Remove compactor from shipping carton. Remove all packaging materials such as tape and shipping pads. Use a mild detergent and warm water to remove waxy residue caused by shipping material. Dry thoroughly with a soft cloth. For more information, see "Cleaning."
 2. Be sure the power cord is attached to the cord clip on the rear of the compactor.

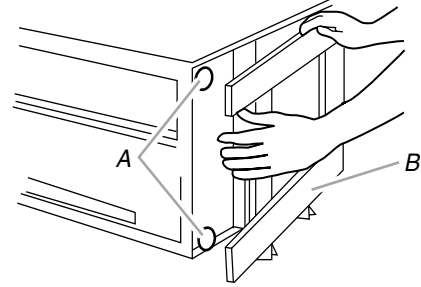


A. Cord clip

3. Place the 2 corner posts from the carton on the floor near the compactor. Open the compactor drawer and remove any shipping materials or other items from the drawer. Do not remove the compactor bag. Grasp the handle and raise the front of drawer until it clears the drawer stops. Grasp sides of drawer and lift drawer out of compactor. Place the drawer on the 2 corner posts.



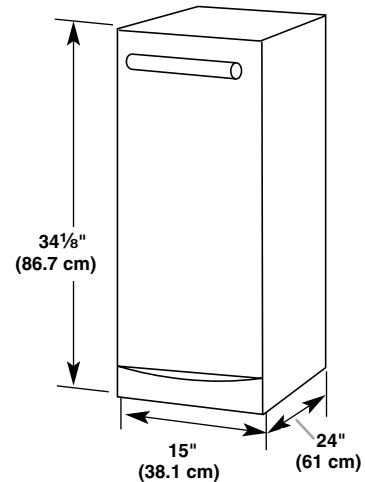
4. Place the other 2 corner posts on the floor to the side of the compactor. Grasp the sides of the compactor cabinet and put compactor on its side on top of the corner posts. Remove the shipping base from the bottom of the compactor.



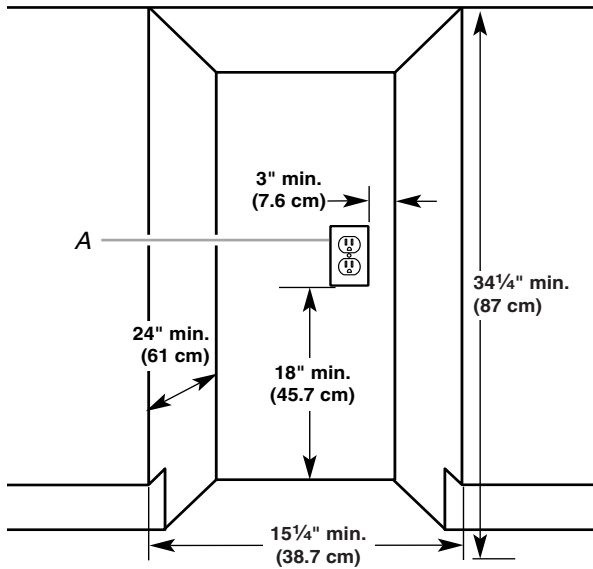
A. Leveling legs
B. Shipping base

Location Requirements

Product dimensions

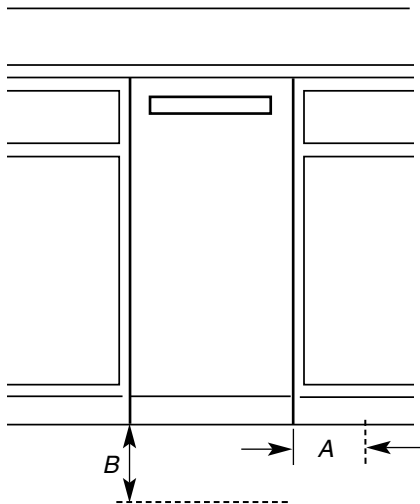


Cutout dimensions



A. Grounded electrical outlet must be a minimum of 3" (7.6 cm) away from surrounding cabinets or nearby walls as shown. It can be placed either to the left or the right side of the product.

Clearance dimensions



- A. Leave 6" (15.2 cm) of clearance space to the right side of the compactor in order to remove the compactor bags.
- B. Leave 23" (58.4 cm) of clearance in front of the compactor in order to fully open or remove the compactor drawer.

Electrical Requirements

⚠ WARNING



Electrical Shock Hazard

Plug into a grounded 3 prong outlet.

Do not remove ground prong.

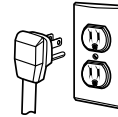
Do not use an adapter.

Do not use an extension cord.

Failure to follow these instructions can result in death, fire, or electrical shock.

Recommended Grounding Method

This compactor is for use on a single phase, 115-volt, 60 Hz, AC only, 15- or 20-amp fused and properly grounded circuit and is equipped with a grounding plug as shown below. It is recommended that a separate circuit serving only this appliance be provided.



This compactor must be grounded while in use to reduce the risk of electric shock. The compactor is equipped with a three-conductor cord and 3 prong grounding-type plug to fit the proper grounding-type receptacle. The green (or green and yellow) conductor in the cord is the grounding wire. Do not connect the green (or green and yellow) wire to a live terminal.

Undercounter Installation

NOTE: Proper installation is your responsibility. Make sure you have everything necessary for correct installation. It is the personal responsibility and obligation of the customer to contact a qualified installer to assure that electrical installation meets all national and local codes and ordinances.

Tools needed:

Gather the required tools and parts before starting installation.

- Level
- Tape measure
- Pliers
- Scissors
- Phillips No. 2 screwdriver
- Flat-blade screwdriver
- 5/16" Box-end wrench
- Utility knife

IMPORTANT:

- Do not grasp control panel to move compactor.
- To avoid damaging floor covering, slide compactor onto cardboard or hardboard before moving compactor across floor.
- Do not allow the rear frame of the compactor to touch the floor covering when lifting or moving compactor.

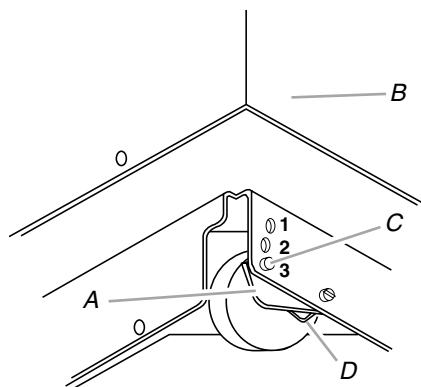
Undercounter Installation

1. Measure the height of your cabinet opening. The top of the compactor should be at least 1/8" (3 mm) from the top of the cabinet opening.

The rear wheels are preset for a cabinet opening of 34 1/4" (87 cm). See Position "1" in the picture following.

To adjust for other cabinet opening heights:

- Loosen self-tapping screw enough to clear stud from hole in Position "1."
- Move the rear wheel and stud to Position "2" or "3" as needed for your cabinet opening measurement:
Position "2": 34 1/4" to 34 7/16" (87 to 87.5 cm)
Position "3": 34 7/16" to 34 9/8" (87.5 to 88 cm)
NOTE: To level the compactor in position "3," you may need to add shims under the leveling legs.
- Tighten screw. Repeat for other rear wheel.

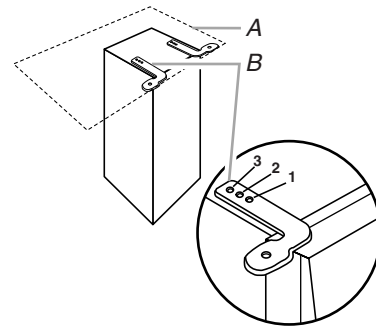


A. Wheel bracket assembly
B. Cabinet
C. Locating stud
D. Self-tapping screw (pivot)

2. Use pliers to lower leveling legs away from cabinet. Adjust legs so there will be a 1/8" (3 mm) to 1/4" (6.4 mm) space between the top of the compactor and the top of the cabinet opening. Stand the compactor upright.
3. Move the compactor close to its final location.
4. Plug into a grounded 3 prong outlet.
5. Determine whether you want the compactor frame or drawer front flush with the cabinet front.

Using the two #8-18 x 5/16" (8 mm) screws, install the retaining brackets to cabinet top as needed:

- If the compactor frame is to be flush with the cabinet front, place retaining bracket screws through "1."
- If the compactor drawer front is to be flush with the cabinet front, place retaining bracket screws through "3."
- If the compactor is to be midway between "1" and "3," place the retaining bracket screws through "2."

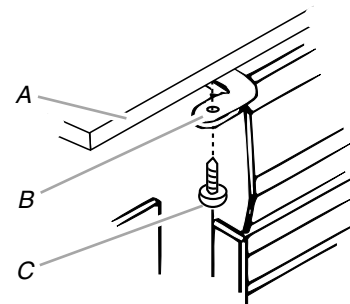


A. Countertop
B. Retaining bracket

6. Slowly lift the front slightly and roll compactor into the cabinet opening.

Using the two #8-18 x 1/2" (12 mm) screws, fasten the retaining brackets to the countertop with the mounting screws.

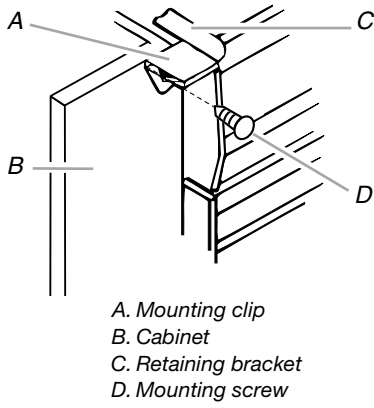
Countertop Mounting



A. Countertop
B. Retaining bracket
C. Mounting screw

If brackets cannot be attached to the underside of countertop, attach mounting clips to brackets. Fasten compactor to cabinet front with mounting screws through mounting clips.

Cabinet-front mounting



- Grasp sides of compactor drawer and place bottom of drawer into tracks. Lift at the handle so drawer will go over drawer stops. Close drawer. Check that the drawer opens freely. If the toe plate rubs against floor, see "Adjusting the Toe Plate" for further instructions.

Adjusting the Toe Plate

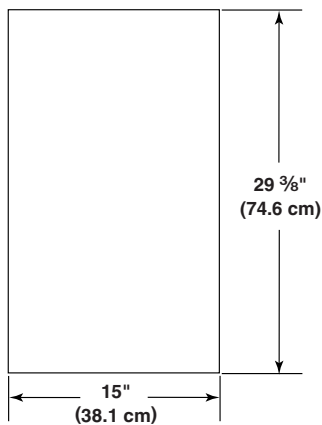
If the toe plate rubs the floor covering, the toe plate clearance may be changed as follows:

- Mark on each side of the toe plate the amount of toe plate that rubs the floor covering.
- Remove the drawer from the compactor. (See Step 3 in the "Unpacking" section.)
- Use a ruler and a pencil or chalk to draw a line between the marks on each side of toe plate.
- Use scissors or utility knife to cut toe plate along line.
- Replace drawer. If toe plate still rubs floor covering, repeat steps 1-4.

Installing a Custom Panel

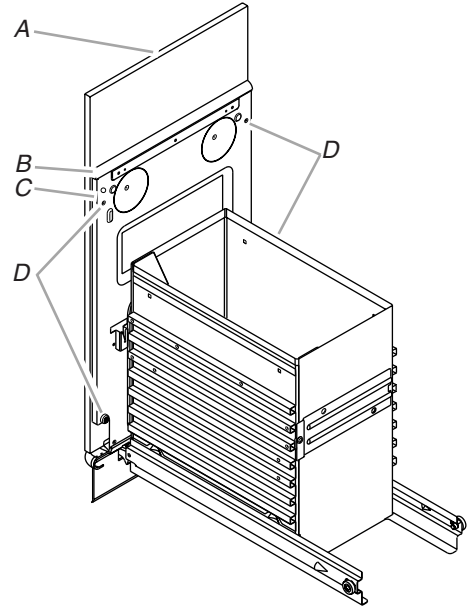
Dimensions

Use these dimension drawings to create a custom panel for use without a trim kit. The panel should be a minimum of 1/2" (13 mm) thick.



Installation

- Remove the 2 rubber bumpers from the lower corners of the inside drawer front. Set aside the bumpers and discard the screws.
- Align the bottom of the custom panel with the bottom of the exterior drawer front and rest the panel on the rest tab.
NOTE: The bottom of the custom panel should not extend below the bottom rest tab at the lower center of the exterior drawer front.
- Secure the custom panel to the exterior drawer front by using four #8 x 1" wood screws from the inside drawer front.
- Attach a 15" x 1/2" quarter-round filler along the top inside edge of the drawer front using glue or screws.



A. Custom panel
B. 15" x 1/2" quarter round
C. Drawer front
D. Four #8 x 1" wood screws placement

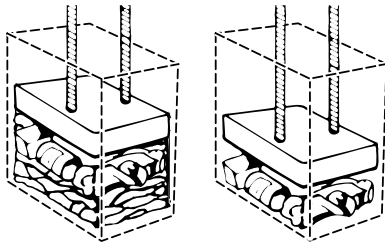
COMPACTOR USE

How Your Compactor Works

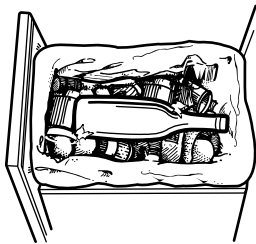
The compacting ram is the part of the compactor which compresses the trash. The compacting ram does not go to the bottom of the drawer. You will not see compacting of trash the first few times you load the compactor.

NOTE: The compactor drawer should be more than ½ full before the compactor can begin to compress the load.

You may hear a noise when glass breaks. Strong glass bottles may not break at all. The trash in a full compactor bag will be about ¼ the size of its original bulk.



Load bulky trash, bottles, and cans in the center of the drawer. Bottles or cans not placed in the center may become caught between the ram and the drawer. The Drawer Monitor Switch then senses a “misload” and causes the ram to return to the “up” position without compacting.



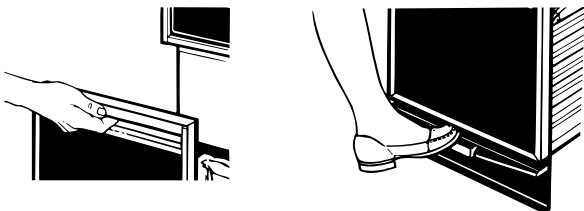
Loading

IMPORTANT: Do not push items down into compactor with hands or feet.

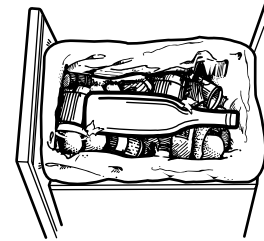
NOTE: You will not see compacting of trash the first few times you load the compactor. The compactor drawer should be about ½ full before the compactor can begin to compress the load.

1. Open the drawer. Lift and pull the handle or press the foot pedal to open the drawer.

NOTE: Pressing the foot pedal opens the container only 3" to 6" (7.6 cm to 15.2 cm), depending on the load.



2. Place trash in compactor.
 - Wrap or cover wet or messy trash.
 - Do not compact items that may develop offensive odors such as raw meat, fish, grapefruit rinds, disposable diapers, or personal hygiene items.
 - Load bottles or cans on their sides in the center of the drawer. Do not load bottles in an upright position.



3. Close the drawer.

Starting Your Compactor

1. Open container. Load trash.
2. Leave Key-Knob in ON position.
3. Set Compress Cycle switch to OFF.
4. Close container.
5. Press foot-actuated START pedal to begin cycle.

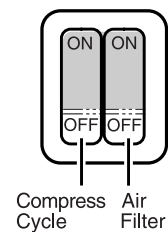
Using Compress (Locked) Cycle

The Compress (Locked) Cycle extends the use of the bag by putting constant pressure on the trash to keep it from springing back. Regular use of a compress cycle can increase bag capacity up to 25 percent.

During Compress Cycle, the ram will stay in the down position for extra compacting. The drawer is locked and cannot be opened when the ram is down.

For best results, use the Compress Cycle for at least 30 minutes at a time.

1. Open container. Load trash.
2. Set compactor Compress Cycle switch to ON.



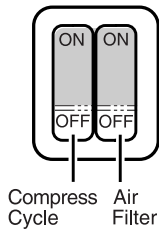
3. Close container.
4. Press foot-actuated START pedal to begin cycle.
5. Container remains LOCKED until you RESET by pressing the foot-actuated START pedal.

Using the Air Filter

1. Set the Air Filter switch to ON. The fan creates air movement in the compactor for odor removal.

NOTE: The charcoal Air Filter works only when the Key-Knob is in the ON position.

2. Set the Air Filter switch to OFF to turn off the fan.

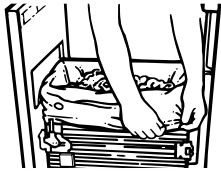


Removing a Filled Bag

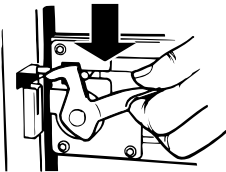
When the trash is compacted to the top of the drawer, remove the bag. If the bag is too heavy, compact less trash before emptying it in the future.

IMPORTANT: Do not push items down into compactor with hands or feet.

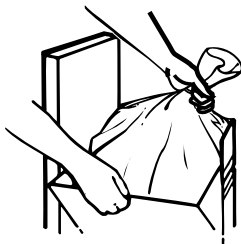
1. Pull the drawer completely open.
2. Remove top of bag from bag retainer buttons. Pull up all four bag cuffs. Close bag with twist tie provided.



3. Push Side-Lock Latch down and tilt drawer side open.



4. Lift out bag.



Installing a New Bag

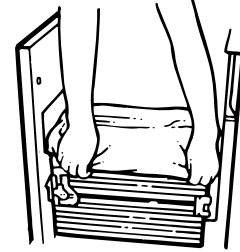
Do not use any kind of bag other than those designed especially for use in your compactor. Order replacement compactor bags through your local dealer or by calling the toll-free number on the cover or in the "Assistance or Service" section.

IMPORTANT:

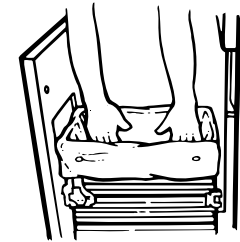
Before installing a new bag, be sure:

- The drawer side is securely locked.
- The container is clean and free of debris.

1. Place folded bag into the drawer. Open bag and pull top edges over the drawer top.



2. Lock bag in place by pulling the four prepunched holes over the bag retainer buttons. Holes will expand over the buttons without damaging the bag.
3. Press inside of bag against the drawer bottom, sides and corners for a smooth fit.



COMPACTOR CARE

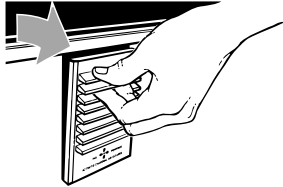
Your new compactor is designed to give you many years of dependable service. However, there are a few things you are expected to do in order to properly maintain your compactor. This section will tell you how to clean and care for your compactor.

Changing the Air Filter

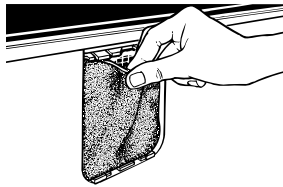
It is recommended that you use the charcoal air filter in the filter compartment.

To order the correct replacement charcoal filters, call the toll-free number listed on the cover or in the "Assistance or Service" section.

1. Insert fingertips in the air filter cover and pull until the side tabs release. Then, lift the cover to release the bottom tabs.



2. Remove the air filter by pulling the top edge of the filter. The filter should pull out easily. Throw away used filter.



3. To replace air filter, push the replacement filter into place.
4. Insert the bottom tabs of the air filter cover and push in until the side tabs snap into place.

Cleaning

Before cleaning the compactor, turn the Key-Knob (or Key-Switch) to the OFF & LOCK position and remove it.

NOTE: Any services other than those outlined in this section should be performed by a designated service representative.

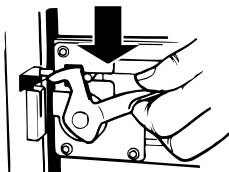
Cleaning Exterior Surfaces

1. Wash exterior surfaces (including stainless steel) with a clean sponge or soft cloth and a mild detergent in warm water. Do not use abrasive or harsh cleaners. Rinse and dry thoroughly with a soft cloth.
2. Wipe up spills right away. Some foods can damage the finish if left on the compactor surface.

Cleaning Inside the Drawer

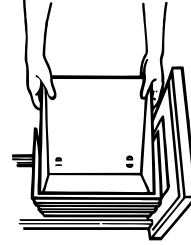
NOTE: You may want to wear gloves since there may be bits of glass in the drawer.

1. Remove the bag. See "Removing a Filled Bag."
2. Press down on the lever-action lock (or Side-Lock latch).



3. Hold the lever-action lock down and tilt the side of the drawer out until the lock clears the drawer front.

NOTE: If desired, the drawer side can be removed by tilting it up, then lifting it out.

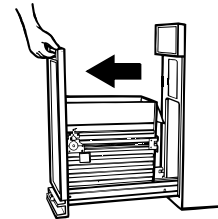


4. Wash the interior of the drawer with a clean sponge or soft cloth and a mild detergent in warm water. Rinse and dry thoroughly with a soft cloth.
5. If the drawer side was removed, slide it back into the tilted position.
6. Press the lever-action lock (or Side-Lock Latch) down while pushing the drawer side to the upright position.
7. Latch the drawer side by pushing up the lever-action lock (or Side-Lock Latch).

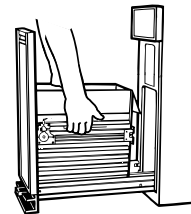
Cleaning Inside the Cabinet

NOTE: You may want to wear gloves since there may be bits of glass in the cabinet.

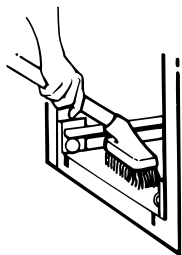
1. Pull the drawer out until it stops.
NOTE: Look to see how the drawer rollers move in the tracks. It will be easier to replace the drawer after you have finished cleaning.



2. Lift the front of the drawer to clear the stops.
3. Grasp the drawer on the sides and pull it out the rest of the way. Set the drawer down gently.



- Vacuum the inside of the cabinet. Liquid spills or wet trash should be cleaned up by hand, or by using a vacuum designed to pick up liquids.

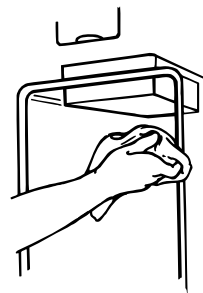


- Wash the inside of the cabinet with a clean sponge or soft cloth and a mild detergent in warm water. Rinse and dry thoroughly with a soft cloth.
- To replace the drawer, grasp it by the sides and insert the rollers onto the tracks.
- Lift the front of the drawer and push it in fully past the stops.

Cleaning the Ram

NOTE: You may want to wear gloves since there may be bits of glass on the ram cover.

- Wipe glass particles off of the ram cover with a cloth or paper towels.
- Remove foods with a clean sponge or soft cloth and a mild detergent in warm water. Rinse and dry thoroughly with a soft cloth.



Cleaning Before a Vacation

If you will be away for more than a couple of days, remove the compactor bag. Remove the Key-Knob (or Key-Switch) and store it out of children's reach.

TROUBLESHOOTING

Try the solutions suggested here first in order to avoid the cost of an unnecessary service call.

Trash is not compacting

- **Is the drawer less than half-full?** Drawer must be more than half full before trash is compacted.

Your compactor won't operate

- **Is the power supply cord unplugged?** Plug into a grounded 3 prong outlet.
- **Has a household fuse blown, or has a circuit breaker tripped?** Replace the fuse or reset the circuit breaker. If the problem continues, call an electrician.
- **Is the drawer completely closed?** Close the drawer firmly and start the compactor again.
- **Is the Key-Knob turned all the way to START?** Turn the Key-Knob (Key-Switch) fully to START and release (on some models). See "Starting Your Compactor."
- **Did you press ON before pressing START?** Press ON before pressing START (on some models). See "Starting Your Compactor."

The drawer won't open

- **Is the ram all the way up?** Drawer will open only when ram is fully raised.

To raise the ram on models with a Key-Knob (or Key-Switch): Turn the Key-Knob (Key-Switch) to START and release. See "Starting Your Compactor."

To raise the ram on models with push button controls: Press OFF, and then press ON. See "Starting Your Compactor."

- **Is the Compress Cycle engaged?** Drawer remains LOCKED until you reset by lifting the foot pedal up.

There is not enough compaction or force

- **Do you use the compacting cycle frequently enough?** Compacting works best when only a few items are loaded.

Bottles don't break

- **How often do you notice this?** Bottles will not break every time. The thickness of a bottle's glass and the content of the trash load below it may keep the bottle from breaking.

RECYCLING WITH YOUR COMPACTOR



PETE



HDPE



V



LDPE



PP



PS

These codes indicate which type of plastic was used in manufacturing the container. Your recycling program will confirm which codes are accepted for recycling.



Plastics with this symbol cannot be recycled.



Items with this symbol can be recycled or were made from recycled materials.

A compactor makes recycling and landfill reduction efforts more effective and efficient.

Recycling Guidelines

Contact your community recycling program or local recycling organizations to find out which items are accepted for recycling and how they should be prepared and organized. These programs will provide essential recycling guidelines:

- Method and frequency of collection—curbside collections and drop-off centers.
- Categories of recyclable items, and how to distinguish between them. Plastic containers are identified by codes on the bottom. Sort by the numbers inside the triangular arrows. For example, most plastic soda bottles and some cleaning bottles have code 1; most milk and water jugs, laundry and personal hygiene product containers have code 2. Paper and cardboard containers (paperboard) also have recycle symbols to indicate a container is recyclable.

- Preparations of recyclable items. Most recycling programs provide specific guidelines on preparation. For example, aluminum cans and plastic containers need to be rinsed out, lids removed, but often labels can be left on.

IMPORTANT:

- Some items, such as glass, should not be compacted.
- Most recycling programs will not accept crushed glass.
- Check with your recycling program for specific guidelines on preparing recyclables.

Organizing the Recycling Workspace

Convenient recycle bins are made to fit in the compactor drawer. These bins, as well as plastic compactor bags, can be purchased in a variety of colors at hardware stores and supermarkets. Set up a system of color-coded bags in an area chosen for processing recyclables. Each color can represent a category of recyclable items, based on types specified by your recycling program. Separate recyclable items from nonrecyclable items:

- Recyclable items can be sorted using the color-coded bags. Prepare items according to guidelines provided by your recycling program.
- Nonrecyclable items should be compacted because compaction reduces trash volume to its original size: four bags of trash can be compacted into one bag. This contributes to reducing landfill volume and related waste transportation burdens.

REMEMBER: Do not expect items which contain minimal air, such as folded newspapers, to compact significantly.

Compacting Recyclable Items

Most recycling programs want the consumer to crush or flatten recyclable items such as plastics, cans, and paperboard. Compacting recyclable items consolidates volume and thereby reduces transportation costs—and also helps manage recycling workspace more effectively. The compactor is ideal for such a task. When a plastic bag is full enough to require compacting, place the bag in the drawer as shown in “Installing a New Bag.” Then follow instructions in “Compactor Use.” When the compacting cycle is complete, remove the plastic bag as shown in “Removing a Filled Bag” and return it to storage until it is full enough to recycle.

Reduce – Reuse – Recycle

ASSISTANCE OR SERVICE

Before calling for assistance or service, please check “Troubleshooting.” It may save you the cost of a service call. If you still need help, follow the instructions below.

When calling, please know the purchase date and the complete model and serial number of your appliance. This information will help us to better respond to your request.

In the U.S.A.

If the problem is not due to one of the items listed in the “Troubleshooting” section...

Call the dealer from whom your appliance was purchased, or call Jenn-Air at **1-800-JENNAIR (1-800-536-6247)** to locate an authorized service company. When calling, please know the purchase date and the complete model and serial number of your appliance. Be sure to retain proof of purchase to verify warranty status.

If the dealer or service company cannot resolve your problem, write to:

Jenn-Air Brand Home Appliances
Customer eXperience Center
553 Benson Road
Benton Harbor, MI 49022-2692

Web address: www.jennair.com

Or call: **1-800-JENNAIR (1-800-536-6247)**.

U.S. customers using TTY for deaf, hearing impaired or speech impaired, call: **1-800-688-2080** (Monday - Friday, 8:00 a.m. - 8:00 p.m. Eastern Time).

NOTE: When writing or calling about a service problem, please include the following information:

1. Your name, address and daytime telephone number.
2. Appliance model number and serial number.
3. Name and address of your dealer or servicer.
4. A clear description of the problem you are having.
5. Proof of purchase (sales receipt).

User’s guides, service manuals and parts information are available from Jenn-Air Brand Home Appliances, Customer eXperience Center.

In Canada

If the problem is not due to one of the items listed in the “Troubleshooting” section...

Call the dealer from whom your appliance was purchased, or call Jenn-Air at **1-800-807-6777** to locate an authorized service company. When calling, please know the purchase date and the complete model and serial number of your appliance. Be sure to retain proof of purchase to verify warranty status.

If the dealer or service company cannot resolve your problem, write to:

Jenn-Air Brand Home Appliances
Customer eXperience Centre
200 – 6750 Century Ave.
Mississauga ON L5N 0B7

Web address: www.jennair.ca

Or call: **1-800-807-6777**.

NOTE: When writing or calling about a service problem, please include the following information:

1. Your name, address and daytime telephone number.
2. Appliance model number and serial number.
3. Name and address of your dealer or servicer.
4. A clear description of the problem you are having.
5. Proof of purchase (sales receipt).

User’s guides, service manuals and parts information are available from Jenn-Air Brand Home Appliances, Customer eXperience Centre.

Accessories

To order a color custom panel and handle, contact your local authorized dealer.

Replacement Bags - Call for Part Number.

Charcoal Air Filter - Part Number 4151750

Color Custom Panel and Handle:

Part Number W10122178 (Black)

Part Number W10122177 (White)

Part Number W10122193 (Oiled Bronze)

Part Number W10122189 (Black Floating Glass)

Part Number W10122161 (Euro Handle)

JENN-AIR® MAJOR APPLIANCE WARRANTY

ONE YEAR LIMITED WARRANTY

For one year from the date of purchase, when this major appliance is operated and maintained according to instructions attached to or furnished with the product, Jenn-Air brand of Whirlpool Corporation or Whirlpool Canada LP (hereafter "Jenn-Air") will pay for factory specified parts and repair labor to correct defects in materials or workmanship. Service must be provided by a Jenn-Air designated service company. This limited warranty is valid only in the United States or Canada and applies only when the major appliance is used in the country in which it was purchased. Outside the 50 United States and Canada, this limited warranty does not apply. Proof of original purchase date is required to obtain service under this limited warranty.

ITEMS EXCLUDED FROM WARRANTY

This limited warranty does not cover:

1. Service calls to correct the installation of your major appliance, to instruct you on how to use your major appliance, to replace or repair house fuses, or to correct house wiring or plumbing.
2. Service calls to repair or replace appliance light bulbs, air filters or water filters. Consumable parts are excluded from warranty coverage.
3. Repairs when your major appliance is used for other than normal, single-family household use or when it is used in a manner that is contrary to published user or operator instructions and/or installation instructions.
4. Damage resulting from accident, alteration, misuse, abuse, fire, flood, acts of God, improper installation, installation not in accordance with electrical or plumbing codes, or use of consumables or cleaning products not approved by Jenn-Air.
5. Cosmetic damage, including scratches, dents, chips or other damage to the finish of your major appliance, unless such damage results from defects in materials or workmanship and is reported to Jenn-Air within 30 days from the date of purchase.
6. Any food loss due to refrigerator or freezer product failures.
7. Costs associated with the removal from your home of your major appliance for repairs. This major appliance is designed to be repaired in the home and only in-home service is covered by this warranty.
8. Repairs to parts or systems resulting from unauthorized modifications made to the appliance.
9. Expenses for travel and transportation for product service if your major appliance is located in a remote area where service by an authorized Jenn-Air servicer is not available.
10. The removal and reinstallation of your major appliance if it is installed in an inaccessible location or is not installed in accordance with published installation instructions.
11. Major appliances with original model/serial numbers that have been removed, altered or cannot be easily determined. This warranty is void if the factory applied serial number has been altered or removed from your major appliance.

The cost of repair or replacement under these excluded circumstances shall be borne by the customer.

DISCLAIMER OF IMPLIED WARRANTIES; LIMITATION OF REMEDIES

CUSTOMER'S SOLE AND EXCLUSIVE REMEDY UNDER THIS LIMITED WARRANTY SHALL BE PRODUCT REPAIR AS PROVIDED HEREIN. IMPLIED WARRANTIES, INCLUDING WARRANTIES OF MERCHANTABILITY OR FITNESS FOR A PARTICULAR PURPOSE, ARE LIMITED TO ONE YEAR OR THE SHORTEST PERIOD ALLOWED BY LAW. JENN-AIR SHALL NOT BE LIABLE FOR INCIDENTAL OR CONSEQUENTIAL DAMAGES. SOME STATES AND PROVINCES DO NOT ALLOW THE EXCLUSION OR LIMITATION OF INCIDENTAL OR CONSEQUENTIAL DAMAGES, OR LIMITATIONS ON THE DURATION OF IMPLIED WARRANTIES OF MERCHANTABILITY OR FITNESS, SO THESE EXCLUSIONS OR LIMITATIONS MAY NOT APPLY TO YOU. THIS WARRANTY GIVES YOU SPECIFIC LEGAL RIGHTS, AND YOU MAY ALSO HAVE OTHER RIGHTS WHICH VARY FROM STATE TO STATE OR PROVINCE TO PROVINCE.

If outside the 50 United States and Canada, contact your authorized Jenn-Air dealer to determine if another warranty applies.

If you need service, first see the "Troubleshooting" section of the Use & Care Guide. After checking "Troubleshooting," you may find additional help by checking the "Assistance or Service" section or by calling Jenn-Air. In the U.S.A., call **1-800-536-6247**. In Canada, call **1-800-807-6777**. 6/09

Keep this book and your sales slip together for future reference. You must provide proof of purchase or installation date for in-warranty service.

Write down the following information about your major appliance to better help you obtain assistance or service if you ever need it. You will need to know your complete model number and serial number. You can find this information on the model and serial number label located on the product.

Dealer name _____

Address _____

Phone number _____

Model number _____

Serial number _____

Purchase date _____

SÉCURITÉ DU COMPACTEUR

Votre sécurité et celle des autres est très importante.

Nous donnons de nombreux messages de sécurité importants dans ce manuel et sur votre appareil ménager. Assurez-vous de toujours lire tous les messages de sécurité et de vous y conformer.



Voici le symbole d'alerte de sécurité.

Ce symbole d'alerte de sécurité vous signale les dangers potentiels de décès et de blessures graves à vous et à d'autres.

Tous les messages de sécurité suivront le symbole d'alerte de sécurité et le mot "DANGER" ou "AVERTISSEMENT". Ces mots signifient :

⚠ DANGER

Risque possible de décès ou de blessure grave si vous ne suivez pas immédiatement les instructions.

⚠ AVERTISSEMENT

Risque possible de décès ou de blessure grave si vous ne suivez pas les instructions.

Tous les messages de sécurité vous diront quel est le danger potentiel et vous disent comment réduire le risque de blessure et ce qui peut se produire en cas de non-respect des instructions.

IMPORTANTES INSTRUCTIONS DE SÉCURITÉ

AVERTISSEMENT : Lors de l'utilisation d'appareils électroménagers, il convient d'observer certaines précautions élémentaires dont les suivantes :

- Lire toutes les instructions avant d'utiliser le compacteur.
- Une surveillance étroite est nécessaire, lorsque l'appareil est employé par ou près d'enfants. Ne pas permettre d'utiliser l'appareil comme un jouet, ou le faire fonctionner sans surveillance. Verrouiller l'interrupteur à clé lorsque l'appareil n'est pas utilisé et garder la clé hors d'atteinte des enfants.
- Ne pas toucher les pièces mobiles.
- Ne pas faire fonctionner le compacteur si le cordon d'alimentation, la fiche de branchement, le moteur sont endommagés ou après tout dommage quelconque. Faire examiner, réparer ou ajuster le compacteur par un technicien autorisé.
- Utiliser uniquement pour l'usage auquel il est destiné, tel que décrit dans ce manuel. Ne pas utiliser des accessoires autres que ceux qui sont recommandés par le fabricant.
- Ne pas utiliser cet appareil pour compacter des produits toxiques ou fluides inflammables tels que chiffons imbibés d'huile et vaporisateurs insecticides. Ne pas soumettre au compacteur les articles comme cigarettes ou cigares allumés, ou autres objets en combustion ou chauds. Ne pas surcharger le compacteur.
- Ne pas démonter le compacteur. Un remontage incorrect peut être à l'origine d'un choc électrique, lors de l'utilisation subséquente.
- Manipuler avec soin un sac rempli de déchets. Des objets pointus peuvent percer le sac et causer des blessures. Ne pas surcharger le sac de déchets avec des matériaux pesants tels que le verre.
- Ce compacteur est destiné à l'usage domestique uniquement.

CONSERVEZ CES INSTRUCTIONS

INSTRUCTIONS D'INSTALLATION

Installateur : Laissez le Guide d'utilisation et d'entretien au propriétaire.

Propriétaire : Gardez le Guide d'utilisation et d'entretien pour référence ultérieure et pour l'usage de l'inspecteur local d'électricité, au besoin.

Déballage

⚠ AVERTISSEMENT

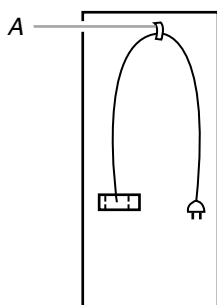
Risque du poids excessif

Utiliser deux ou plus de personnes pour déplacer et installer le compacteur.

Le non-respect de cette instruction peut causer une blessure au dos ou d'autre blessure.

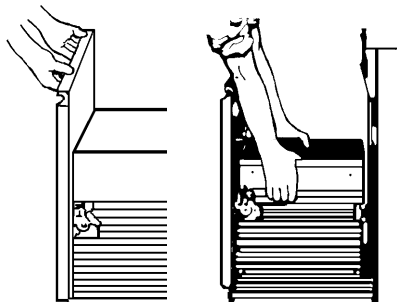
IMPORTANT :

- Ne pas saisir la console pour déplacer le compacteur.
 - Commencer dans la pièce où le compacteur sera installé.
1. Retirer le compacteur de son emballage de carton. Enlever tous les matériaux d'emballage et de protection comme ruban adhésif et cales. Avec une solution d'eau tiède et de produit de nettoyage ménager doux, enlever les résidus de cire laissés par les matériaux de protection. Sécher complètement avec un chiffon doux. Pour de plus amples renseignements, voir la section "Nettoyage".
 2. Vérifier que le cordon d'alimentation électrique est fixé à l'agrafe à l'arrière du compacteur.

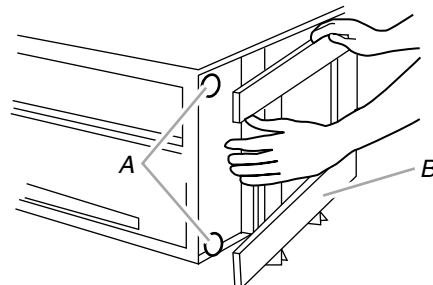


A. Agrafe du cordon d'alimentation

3. Placer les 2 cornières de protection sur le plancher, près du compacteur. Ouvrir le tiroir du compacteur et retirer tous les matériaux d'emballage ou autres articles expédiés dans le tiroir. Ne pas retirer le sac du compacteur. Saisir la poignée et soulever l'avant du tiroir pour le faire passer au-dessus des butées. Saisir les côtés du tiroir et soulever le tiroir pour le retirer du compacteur. Placer le tiroir sur les 2 cornières de protection.



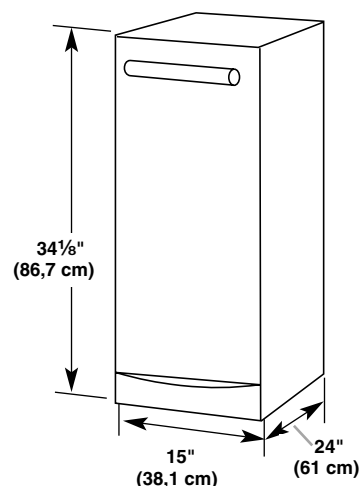
4. Placer les 2 autres cornières de protection sur le plancher, près du compacteur. Saisir les côtés de la caisse du compacteur et placer le compacteur sur le côté, sur les cornières de protection. Retirer la base placée au fond du compacteur avant l'expédition.



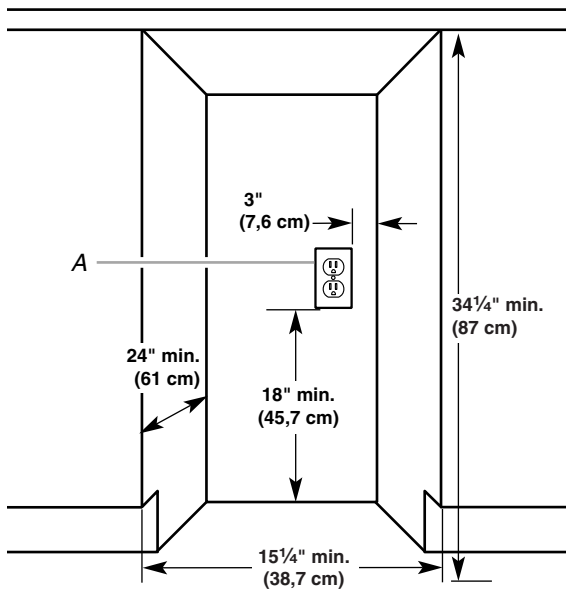
A. Pieds de nivellement
B. Base d'expédition

Exigences d'emplacement

Dimensions du produit

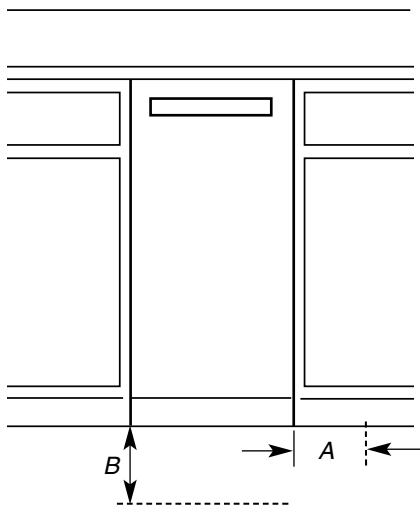


Dimensions de l'encastrement



A. La prise électrique reliée à la terre qui doit être à une distance minimum de 3" (7,6 cm) des armoires voisines ou des murs latéraux tel qu'illustré. Elle peut être placée du côté gauche ou du côté droit du produit.

Dimensions de dégagement



A. Laisser un espace libre de 6" (15,2 cm) du côté droit du compacteur pour extraire les sacs du compacteur.

B. Laisser un espace libre de 23" (58,4 cm) en avant du compacteur pour ouvrir complètement ou retirer le tiroir du compacteur.

Spécifications électriques

⚠ AVERTISSEMENT



Risque de choc électrique

Brancher sur une prise à 3 alvéoles reliée à la terre.

Ne pas enlever la broche de liaison à la terre.

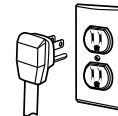
Ne pas utiliser un adaptateur.

Ne pas utiliser un câble de rallonge.

Le non-respect de ces instructions peut causer un décès, un incendie ou un choc électrique.

Méthode recommandée de mise à la terre

Le compacteur est alimenté par un circuit de 115 V CA seulement monophasé, 60 Hz, 15 ou 20 A; le circuit doit être protégé par un fusible et convenablement relié à la terre par l'intermédiaire de la fiche de branchement avec broches de liaison à la terre (voir l'illustration ci-dessous). Il est préférable que cet appareil soit alimenté par un circuit distinct.



Le compacteur doit être relié à la terre lorsqu'il est utilisé pour réduire le risque de choc électrique. Le compacteur est équipé d'un cordon à trois conducteurs et d'une fiche à trois broches de liaison à la terre, pour convenir à la prise de courant appropriée reliée à la terre. Le conducteur vert (ou vert et jaune) dans le cordon est le fil de liaison à la terre. Ne pas connecter le fil vert (ou vert et jaune) à une borne active.

Installation sous un comptoir

REMARQUE : C'est à l'utilisateur qu'incombe la responsabilité de réaliser une installation correcte. S'assurer d'avoir tout le nécessaire pour une installation convenable. C'est au client qu'incombent la responsabilité et l'obligation personnelle de contacter un installateur qualifié pour s'assurer que l'installation électrique répond aux codes et règlements nationaux et locaux.

Outillage et matériaux requis pour l'installation :

Rassembler les outils et pièces nécessaires avant de commencer l'installation.

- Niveau
- Ruban à mesurer
- Pince
- Ciseaux
- Tournevis Phillips n° 2
- Tournevis à lame plate
- Clé polygonale de 5/16"
- Couteau utilitaire

IMPORTANT :

- Ne pas saisir la console pour déplacer le compacteur.

- Glisser le compacteur sur le carton ou le panneau de bois dur avant de déplacer le compacteur sur le plancher, pour empêcher d'endommager le revêtement du plancher.
- Ne pas laisser le châssis arrière du compacteur toucher le revêtement du plancher lors du soulèvement ou du déplacement du compacteur.

Installation sous un comptoir

1. Mesurer la hauteur de l'ouverture de l'armoire. Le sommet du compacteur devrait être au moins à $\frac{1}{8}$ " (3 mm) du sommet de l'ouverture de l'armoire.

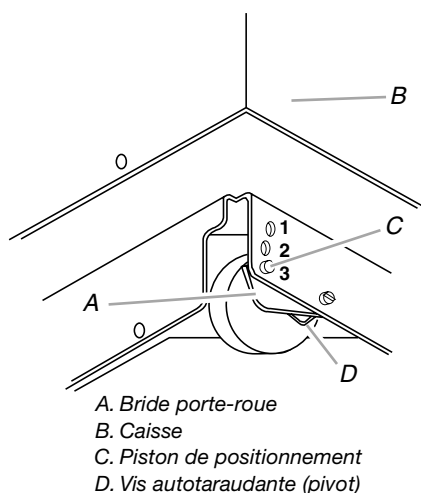
Les roues arrière sont pré-réglées pour l'ouverture d'une armoire d'une hauteur de $34 \frac{1}{4}$ " (87 cm). Voir Position "1" sur l'illustration suivante.

Pour ajuster les autres hauteurs d'ouverture d'armoire :

- Desserrer la vis autotaraudante, juste assez pour pouvoir extraire le pignon du trou de positionnement "1".
- Déplacer la roue arrière et le pignon à la position "2" ou "3" au besoin, pour la mesure d'ouverture de l'armoire :
Position "2" : hauteur libre de $34 \frac{1}{4}$ " à $34 \frac{7}{16}$ " (87 à 87,5 cm)
Position "3" : hauteur libre $34 \frac{7}{16}$ " à $34 \frac{5}{8}$ " (87,5 à 88 cm)

REMARQUE : Pour mettre d'aplomb l'appareil en position "3", vous devez peut-être ajouter des cales sous les pieds de nivellement.

- Serrer la vis. Répéter ces opérations pour l'autre roue arrière.

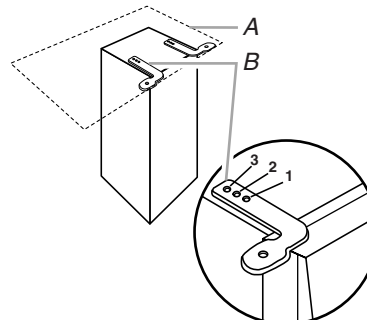


2. Utiliser la pince pour abaisser les pieds de nivellement hors de l'armoire. Ajuster les pieds de sorte qu'il y aura un espace de $\frac{1}{8}$ " (3 mm) à $\frac{1}{4}$ " (6,4 mm) entre le sommet du compacteur et le sommet de l'ouverture de l'armoire. Placer le compacteur verticalement.
3. Déplacer le compacteur jusqu'au voisinage immédiat de la position d'installation finale.
4. Brancher sur une prise à 3 alvéoles reliée à la terre.

5. Déterminer si vous voulez que le cadre du compacteur ou le devant du tiroir soit en affleurement avec le devant de l'armoire.

Utilisant les deux vis n° 8 de $18 \times \frac{5}{16}$ " (8 mm), installer les brides qui restent au sommet de la caisse, au besoin :

- Si le châssis du compacteur doit être en affleurement avec l'avant de l'armoire, placer les vis de retenue de la bride dans les trous "1".
- Si le devant de la bride du tiroir du compacteur doit être en affleurement avec l'avant de l'armoire, placer les vis de retenue de la bride dans les trous "3".
- Si le compacteur doit être installé à une position intermédiaire, entre "1" et "3" placer les vis de retenue de la bride dans le trou "2".

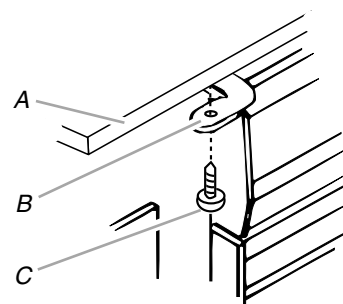


A. Dessus du comptoir
B. Bride de retenue

6. Soulever lentement et légèrement le devant et faire rouler le compacteur dans l'ouverture de l'armoire.

En utilisant les deux vis n° 8 de $18 \times \frac{1}{2}$ " (12 mm), fixer les brides de retenue en-dessous du comptoir avec les vis de montage.

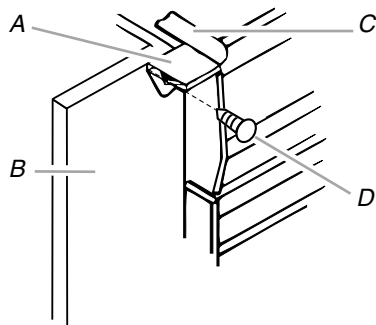
Installation sous le comptoir



A. Dessus du comptoir
B. Bride de retenue
C. Vis de montage

Si les brides ne peuvent pas être fixées au-dessous du comptoir, fixer les agrafes de montage aux brides. Fixer le compacteur au devant de l'armoire avec les vis dans les agrafes de montage.

Montage à l'avant de l'armoire



- A. Agrafe de montage
- B. Armoire
- C. Bride de retenue
- D. Vis de montage

7. Saisir les côtés du tiroir du compacteur et placer le fond du tiroir dans les glissières. Soulever le tiroir par la poignée pour faire passer l'avant du tiroir au-dessus des butées. Fermer le tiroir. Vérifier qu'il est possible d'ouvrir facilement le tiroir. Si la pédale frotte contre le plancher, voir d'autres instructions à la section "Réglage de la pédale".

Réglage de la pédale

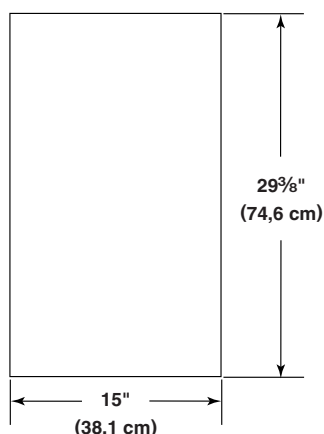
Si la pédale frotte contre le revêtement du plancher, on peut modifier la hauteur de la pédale comme suit :

1. Marquer de chaque côté de la pédale la largeur du matériau qui cause le frottement sur le revêtement du plancher.
2. Retirer le tiroir de l'appareil. (Voir l'étape 3 à la section "Déballage".)
3. À l'aide d'une règle et d'un crayon ou d'une craie, tracer une ligne entre les marques tracées de chaque côté de la pédale.
4. À l'aide de ciseaux ou d'un couteau utilitaire, découper la pédale le long de la ligne.
5. Réinstaller le tiroir. Si la pédale frotte toujours sur le revêtement du plancher, répéter les étapes 1 à 4.

Installation d'un panneau personnalisé

Dimensions

Utiliser ces dessins de dimensions pour créer un panneau personnalisé à utiliser sans trousse de garniture. Le panneau doit avoir une épaisseur minimale d'au moins 1/2" (13 mm).

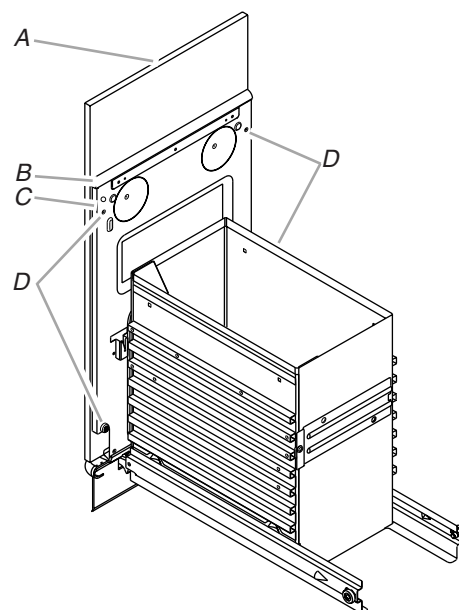


Installation

1. Ôter les deux butées de caoutchouc dans les angles inférieurs de la façade du tiroir. Conserver les butées; jeter les vis.
2. Aligner le bas du panneau personnalisé avec le bas de la façade extérieure du tiroir et le reste du panneau sur la patte de support.

REMARQUE : Le bas du panneau personnalisé ne devrait pas dépasser au-dessous de la patte de support inférieure en bas/au centre de la façade extérieure du tiroir.

3. Fixer le panneau personnalisé sur la façade extérieure du tiroir – utiliser quatre vis à bois n° 8 x 1", placer depuis la façade interne du tiroir.
4. Fixer les tringles quart de rond 15" x 1/2" le long de la rive interne supérieure de la façade du tiroir - utiliser de la colle ou des vis.



- A. Panneau personnalisé
- B. Quart-de-rond de 15" x 1/2"
- C. Façade du tiroir
- D. Position des quatre vis à bois n° 8 x 1"

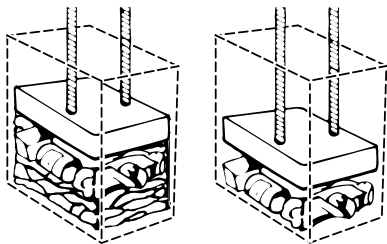
UTILISATION DU COMPACTEUR

Fonctionnement du compacteur

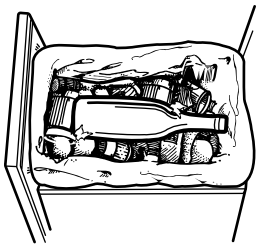
La presse de compactage est la partie du compacteur qui compresse les déchets. La presse de compactage ne descend pas jusqu'au fond du tiroir. Les premiers déchets chargés ne seront donc pas comprimés les premières fois que vous chargez le compacteur.

REMARQUE : Le tiroir du compacteur doit être rempli à plus de la moitié avant que le compacteur de déchets puisse commencer à compresser la charge.

Vous pouvez entendre un bruit lorsque le verre se brise. Des bouteilles en verre robuste peuvent ne pas se briser du tout. Les déchets dans un sac plein de compacteur occuperont environ le quart du volume original.



Charger les déchets volumineux, bouteilles et canettes au centre du tiroir. Les bouteilles ou les canettes qui n'ont pas été mises au centre du tiroir peuvent être coincées entre la presse et le tiroir. Le commutateur du tiroir peut détecter une "erreur de charge" et renvoyer la presse à la position "supérieure" sans qu'il y ait compactage.



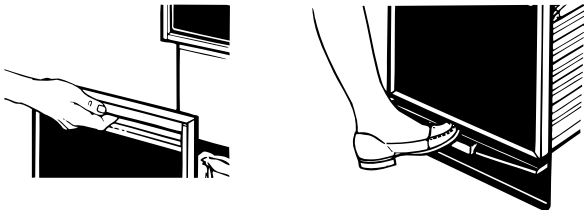
Chargement

IMPORTANT : Ne pas enfoncer les articles dans le compacteur avec les pieds ou les mains.

REMARQUE : Vous ne verrez pas les déchets se faire presser les quelques premières fois que vous chargez le compacteur. Le tiroir du compacteur doit être environ à moitié rempli avant que le compacteur puisse commencer à presser la charge.

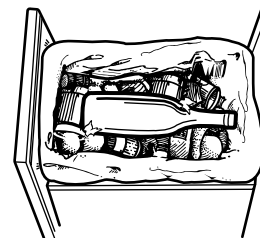
1. Ouvrir le tiroir. Soulever et tirer la poignée ou appuyer sur la pédale pour ouvrir le tiroir.

REMARQUE : L'appui sur la pédale ouvre le contenant de 3" à 6" (7,6 cm à 15,2 cm), selon la charge.



2. Placer les déchets dans le compacteur.

- Envelopper de papier ou recouvrir les déchets humides ou salissants.
- Ne pas mettre dans le compacteur des matières susceptibles de dégager des mauvaises odeurs, telles que de la viande crue, du poisson, des pelures de pamplemousse, des couches jetables ou des articles d'hygiène personnelle.
- Charger les bouteilles ou canettes sur le côté au centre du tiroir. Ne pas placer les bouteilles dans une position verticale.



3. Fermer le tiroir.

Mise en marche du compacteur

1. Ouvrir le contenant. Déposer les déchets.
2. Laisser le bouton à clé à la position ON (marche).
3. Régler l'interrupteur du programme Compress (compression solide) à OFF (arrêt).
4. Fermer le contenant.
5. SOULEVER la pédale pied-actionnée de START (DÉBUT) pour commencer le programme.

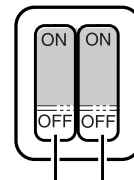
Utilisation du programme Compress (compression solide) (Verrouillé)

Le programme Compress (verrouillé) prolonge l'utilisation du sac en exerçant une pression constante sur les déchets pour les empêcher de se décompresser. L'utilisation régulière du programme Compress peut accroître la capacité du sac jusqu'à 25 pour cent.

Durant le programme Compress, le bras de compression reste en position abaissée pour un compactage supplémentaire. Le tiroir est verrouillé et ne peut être ouvert quand le bras est abaissé.

Pour les meilleurs résultats, utiliser le programme Compress pendant des périodes d'au moins 30 minutes.

1. Ouvrir le contenant. Déposer les déchets.
2. Régler l'interrupteur du programme Compress du compacteur sur ON (marche).



Compress Cycle Air Filter

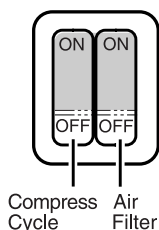
3. Fermer le contenant.
4. SOULEVER la pédale pied-actionnée de START (DÉBUT) pour commencer le programme.
5. Le contenant reste VERROUILLÉ jusqu'à ce que l'on procède au RÉENCLANCHEMENT en serrant la pédale pied-actionnée de START (DÉBUT).

Utilisation du filtre à air

1. Régler l'interrupteur du filtre à air sur ON (marche). Le ventilateur crée un mouvement d'air dans le compacteur pour éliminer les odeurs.

REMARQUE : Le filtre à air au charbon fonctionne seulement lorsque le bouton à clé est à la position ON (marche).

2. Régler l'interrupteur du filtre à air sur OFF (arrêt) pour éteindre le ventilateur.



Enlèvement d'un sac rempli

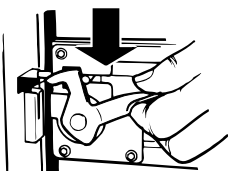
Lorsque les déchets sont comprimés jusqu'au sommet du tiroir, enlever le sac. Si le sac est trop lourd, comprimer moins de déchets la fois suivante.

IMPORTANT : Ne pas enfoncer les articles dans le compacteur avec les pieds ou les mains.

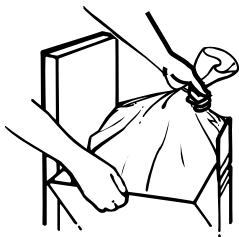
1. Tirer le tiroir pour l'ouvrir complètement.
2. Dégager le haut du sac des boutons de retenue du sac. Tirer vers le haut sur les 4 revers du sac. Fermer le sac avec les attaches fournies.



3. Abaisser le levier de verrouillage et incliner le côté du tiroir pour l'ouvrir.



4. Retirer le sac en le soulevant.



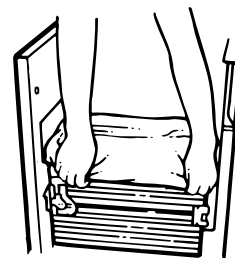
Installation d'un nouveau sac

Ne pas utiliser d'autres sacs que ceux qui sont spécialement conçus pour être utilisés dans votre compacteur. Commander des sacs de remplacement pour le compacteur chez votre marchand local ou en composant le numéro sans frais sur la couverture ou à la section "Assistance ou Service".

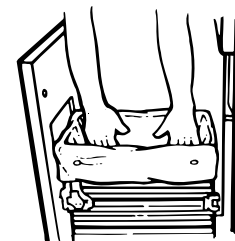
IMPORTANT :

Avant d'installer un nouveau sac, s'assurer que :

- Le côté du tiroir est bien verrouillé.
 - Le contenant est propre et exempt de débris.
1. Placer le sac plié dans le tiroir. Ouvrir le sac et replier le bord supérieur du sac par-dessus le bord du tiroir.



2. Immobiliser le sac en engageant les 4 trous pré-perçés sur les boutons de retenue du sac. Les trous s'agrandiront sur les boutons sans endommager le sac.
3. Pousser l'intérieur du sac contre le fond du tiroir, les côtés et les coins du tiroir, pour qu'il s'adapte bien.



ENTRETIEN DU COMPACTEUR

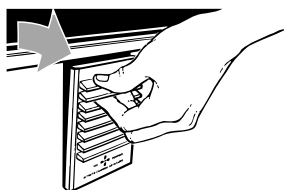
Votre nouveau compacteur est conçu pour vous donner de nombreuses années de service fiable. Toutefois vous avez quelques mesures à prendre pour bien maintenir le rendement de votre compacteur. Cette section vous expliquera comment nettoyer et prendre soin de votre compacteur.

Changement du filtre à air

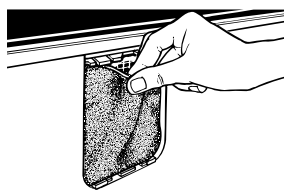
On recommande d'utiliser soit le filtre à air au charbon dans le compartiment du filtre.

Pour commander les filtres au charbon de remplacement qui conviennent, composer le numéro sans frais indiqué sur la couverture ou à la section "Assistance ou Service".

1. Insérer le bout des doigts dans le couvercle du filtre à air et le tirer jusqu'à ce que les languettes latérales se déclenchent. Soulever le couvercle pour le dégager des languettes à la base.



2. Enlever le filtre à air en tirant sur le bord supérieur du filtre. Le filtre devrait sortir facilement. Jeter le filtre usagé.



3. Pour réinstaller le filtre à air, pousser le filtre de rechange en place.
4. Insérer les attaches à la base du couvercle du filtre à air et pousser jusqu'à ce que les languettes latérales s'enclenchent.

Nettoyage

Avant de nettoyer le compacteur, tourner le bouton à clé (ou commutateur à clé) à OFF & LOCK (arrêt et verrouillage) et le retirer.

REMARQUE : Les services autres que les services décrits dans cette section doivent être exécutés par un représentant de service désigné.

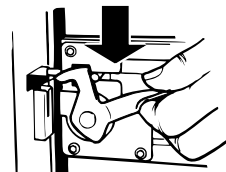
Nettoyage des surfaces extérieures

1. Laver les surfaces extérieures (y compris l'acier inoxydable) avec une éponge propre ou un linge doux et un détergent doux dans de l'eau tiède. Ne pas utiliser de nettoyeurs abrasifs ou rugueux. Rincer et sécher à fond avec un chiffon doux.
2. Essuyer immédiatement les traces de renversement. Certains aliments peuvent endommager le fini s'ils sont laissés à la surface du compacteur à déchets.

Nettoyage de l'intérieur du tiroir

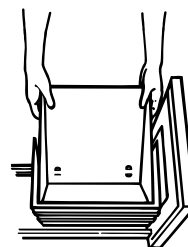
REMARQUE : Il est préférable porter des gants protecteurs car des petits débris de verre peuvent se trouver dans la caisse.

1. Enlever le sac. Voir la section "Enlèvement d'un sac rempli".
2. Appuyer sur le levier de verrouillage à bascule (ou le loquet de verrouillage sur le côté).



3. Maintenir le levier dans cette position et incliner le côté du tiroir jusqu'à ce que le loquet dépasse le devant du tiroir.

REMARQUE : Il est possible de retirer le côté du tiroir en l'inclinant vers l'extérieur, puis en le soulevant.



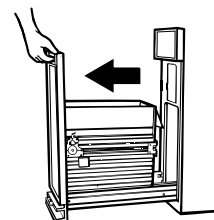
4. Laver l'intérieur du tiroir avec une éponge propre ou un linge doux et un détergent doux dans de l'eau tiède. Rincer et sécher à fond avec un chiffon doux.
5. Si le côté du tiroir a été enlevé, remettre le côté du tiroir en position inclinée.
6. Abaisser le levier (ou loquet de verrouillage sur le côté) tout en poussant sur le côté du tiroir pour le remettre en position verticale.
7. Verrouiller le côté du tiroir en poussant le levier (ou loquet de verrouillage sur le côté) vers le haut.

Nettoyage de l'intérieur de la caisse

REMARQUE : Il est préférable porter des gants protecteurs car des petits débris de verre peuvent se trouver dans le tiroir.

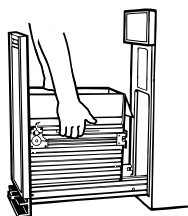
1. Tirer le tiroir vers l'extérieur jusqu'à la butée.

REMARQUE : Remarquer comment les roulettes du tiroir se déplacent dans les rainures. Il sera plus facile de replacer le tiroir lorsque vous aurez terminé le nettoyage.

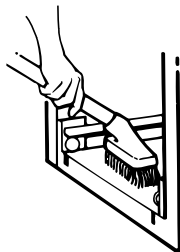


2. Soulever le devant du tiroir pour franchir les butées.

3. Saisir les côtés du tiroir et le tirer jusqu'à ce qu'il sorte complètement. Le déposer délicatement.



4. Passer l'aspirateur à l'intérieur de la caisse. Les liquides renversés ou les déchets humides doivent être nettoyés à la main ou au moyen d'un aspirateur conçu pour aspirer les liquides.



5. Laver l'intérieur de la caisse avec une éponge propre ou un linge doux et un détergent doux dans de l'eau tiède. Rincer et sécher à fond avec un linge doux.
6. Pour replacer le tiroir, saisir les côtés du tiroir et insérer les roulettes du tiroir dans les rainures.
7. Soulever le devant du tiroir et le pousser complètement au-delà des butées.

Nettoyage de la presse

REMARQUE : Il est préférable des gants protecteurs car des petits débris de verre peuvent se trouver sur le revêtement de la presse.

1. Enlever les particules de verre en essuyant le revêtement de la presse avec un linge ou un essuie-tout.
2. Enlever les aliments avec une éponge propre ou un linge doux et un détergent dans de l'eau tiède. Rincer et sécher à fond avec un linge doux.



Nettoyage avant des vacances

Si vous vous absentez pendant plus de quelques jours, enlever le sac du compacteur. Enlever le bouton à clé (ou commutateur à clé) et le remiser hors de la portée des enfants.

DÉPANNAGE

Essayer d'abord les solutions suggérées ici; elles pourraient vous éviter le coût d'une visite de service.

La presse ne compacte pas les déchets

- **Le tiroir est-il moins qu'à moitié rempli?**
Le tiroir doit être rempli à plus de la moitié avant que les déchets soient pressés.

Votre compacteur ne fonctionne pas

- **Le cordon d'alimentation est-il débranché?**
Le brancher dans une prise de courant à 3 alvéoles reliée à la terre.
- **Un fusible est-il grillé ou le disjoncteur s'est-il déclenché?**
Remplacer le fusible ou réenclencher le disjoncteur. Si le problème persiste, appeler un électricien.
- **Le tiroir est-il complètement fermé?**
Bien fermer le tiroir et remettre de nouveau en marche le compacteur.
- **Le bouton à clé est-il tourné au complètement sur START (mise en marche)?**
Tourner le bouton à clé (commutateur à clé) complètement à START (mise en marche) et le relâcher (sur certains modèles). Voir la section "Mise en marche du compacteur".
- **Avez-vous appuyé sur ON (marche) avant d'appuyer sur START (mise en marche)?**
Appuyer sur ON (marche) avant d'appuyer sur START (sur certains modèles). Voir la section "Mise en marche du compacteur".

Le tiroir ne s'ouvre pas

- **La presse est-elle complètement relevée?**
Le tiroir s'ouvre seulement lorsque la presse est complètement relevée.
Pour relever la presse des modèles avec bouton à clé (ou commutateur à clé) :
Tourner le bouton à clé (commutateur à clé) complètement à START (mise en marche) et le relâcher. Voir la section "Mise en marche du compacteur".
Pour relever la presse des modèles avec commandes à boutons-poussoirs :
Appuyer sur OFF (arrêt) et ensuite appuyer sur ON (marche). Voir la section "Mise en marche du compacteur".
- **Le programme Compress (compression solide) est-il enclenché?** Le tiroir reste VERROUILLÉ jusqu'à ce qu'on le règle de nouveau en soulevant la pédale.

Compression ou force insuffisante

- **Utilisez-vous assez souvent le programme de compression?**
La compression donne le meilleur résultat lorsqu'on ne place que quelques articles à la fois.

Les bouteilles ne se brisent pas

- **À quelle fréquence remarquez-vous cette situation?**
Toutes les bouteilles ne se briseront pas à chaque fois. L'épaisseur du verre d'une bouteille ainsi que la nature des déchets en dessous de celle-ci peuvent empêcher la bouteille de se briser.

RECYCLAGE AVEC VOTRE COMPACTEUR



PETE



HDPE



V



LDPE



PP



PS

Ces codes indiquent quel type de plastique a été utilisé dans la fabrication du contenant. Votre programme de recyclage confirmera quels sont les codes acceptés pour le recyclage.



OTHER

Les plastiques avec ce symbole ne peuvent pas être recyclés.



Les articles avec ce symbole peuvent être recyclés ou ont été fabriqués à partir de matériaux recyclés.

Un compacteur rend plus efficaces les efforts de recyclage et de décharge de déchets.

Directives de recyclage

Contactez votre programme de recyclage local ou les organisations locales de recyclage pour savoir quels sont les articles acceptés pour le recyclage et comment ils doivent être préparés et organisés. Ces programmes fourniront les directives essentielles de recyclage :

- Méthode et fréquence de la collecte - collectes par les services publics et centres de dépôt.
- Les catégories des articles recyclables et comment les distinguer. Les contenants en plastique sont identifiés par des codes à la base. Triez-les selon le numéro à l'intérieur des flèches triangulaires. Par exemple, la plupart des bouteilles en plastique de boissons gazeuses et certaines bouteilles de nettoyants ont le code 1; la plupart des cruches de lait et d'eau et les contenants de produits de lessive et d'hygiène personnelle ont le code 2. Les contenants en papier et les boîtes en carton ont aussi des symboles de recyclage pour indiquer si le contenant est recyclable.

- Préparation des articles recyclables. La plupart des programmes de recyclage fournissent des directives spécifiques sur la préparation. Par exemple, il faut rincer les canettes en aluminium et les contenants en plastique et enlever les couvercles, mais souvent les étiquettes peuvent demeurer à la surface.

IMPORTANT :

- Certains articles, tel que le verre, ne devraient pas être mis au compacteur.
- La plupart des programmes de recyclage n'accepteront pas le verre concassé.
- Vérifier votre programme de recyclage pour des directives spécifiques sur la préparation des articles recyclables.

Organisation de l'espace de recyclage

Des poubelles pratiques de recyclage sont fabriquées pour convenir dans le tiroir du compacteur. Ces poubelles, de même que les sacs en plastique de compacteur peuvent être achetés dans une variété de couleurs dans les magasins de quincaillerie et les supermarchés. Établir un système de sacs classés par couleur dans un endroit choisi, pour le traitement des articles recyclables. Chaque couleur peut représenter une catégorie d'articles recyclables, d'après les types spécifiés par votre programme de recyclage. Séparer les articles recyclables des articles non recyclables :

- Les articles recyclables peuvent être triés en utilisant les sacs avec codes de couleur. Préparer les articles d'après les directives fournies par votre programme de recyclage.
- Les articles non recyclables devraient être passés au compacteur parce que la compression réduit le volume de déchets à sa taille originale : quatre sacs de déchets peuvent être compactés en un sac. Ceci contribue à réduire le volume de décharge contrôlée et les charges relatives au transport d'ordures.

N'OUBLIEZ PAS : Ne vous attendez pas à ce que les articles qui contiennent peu d'air, tels que les journaux pliés, deviennent très compacts.

Compactage d'articles recyclables

La plupart des programmes de recyclage demandent que le client écrase ou aplatisse les articles recyclables tels que les plastiques, les canettes et le carton. Le compactage des articles recyclables contrôle le volume et ainsi réduit les frais de transport et aide aussi à contrôler l'espace de recyclage plus efficacement. Le compacteur est idéal pour une telle tâche. Lorsque le sac en plastique est assez plein pour demander d'être rendu compact, placer le sac dans le tiroir tel qu'indiqué dans "Installation d'un nouveau sac". Ensuite suivre les instructions dans "Utilisation du compacteur". Lorsque le programme de compactage est complété, enlever le sac en plastique tel qu'indiqué dans "Enlèvement d'un sac rempli" et le remettre en remisage jusqu'à ce qu'il soit assez rempli pour être recyclé.

Réduire - Réutiliser - Recycler

ASSISTANCE OU SERVICE

Avant de faire un appel pour assistance ou service, veuillez vérifier la section "Dépannage". Cette vérification peut vous faire économiser le coût d'une visite de service. Si vous avez encore besoin d'aide, suivez les instructions ci-dessous.

Lors d'un appel, veuillez connaître la date d'achat et les numéros de modèle et de série complets de votre appareil. Ces renseignements nous aideront à mieux répondre à votre demande.

Aux États-Unis

Si le problème n'est pas attribuable à l'une des raisons indiquées dans la section "Dépannage"...

Téléphonez au marchand qui vous a vendu l'appareil ou téléphonez à Jenn-Air au **1-800-JENNAIR (1-800-536-6247)** pour localiser une compagnie de service autorisée. Lors d'un appel, veuillez connaître la date d'achat et les numéros de modèle et de série complets de votre appareil. Assurez-vous de conserver la preuve d'achat pour vérifier les conditions de la garantie.

Si le marchand ou la compagnie de service ne peut pas résoudre votre problème, écrivez à :

Jenn-Air Brand Home Appliances
Customer eXperience Center
553 Benson Road
Benton Harbor, MI 49022-2692

Adresse Internet : www.jennair.com

ou composez le : **1-800-JENNAIR (1-800-536-6247)**.

Si vous êtes des clients aux É.-U. utilisant l'ATS pour les personnes sourdes, malentendantes ou souffrant de troubles de l'élocution, composez le : **1-800-688-2080** (du lundi au vendredi, entre 8 h et 20 h HNE).

REMARQUE : Pour toute correspondance ou appel au sujet d'un problème de service, veuillez inclure les renseignements suivants :

1. Vos nom, adresse et numéro de téléphone durant la journée.
2. Numéros de modèle et de série de l'appareil.
3. Nom et adresse de votre marchand ou du service d'entretien.
4. Une description claire du problème existant.
5. Preuve d'achat (reçu de vente).

Les guides de l'utilisateur, manuels d'entretien et informations sur les pièces sont disponibles auprès du Centre pour l'eXpérience de la clientèle des appareils électroménagers de la marque Jenn-Air.

Au Canada

Si le problème n'est pas attribuable à l'une des raisons indiquées dans la section "Dépannage"...

Téléphonez au marchand qui vous a vendu l'appareil ou téléphonez à Jenn-Air en composant le **1-800-807-6777** pour localiser une compagnie de service autorisée. Lors d'un appel, veuillez connaître la date d'achat et les numéros de modèle et de série complets de votre appareil. Assurez-vous de conserver la preuve d'achat pour vérifier les conditions de la garantie.

Si le marchand ou la compagnie de service ne peut pas résoudre votre problème, écrivez à :

Jenn-Air Brand Home Appliances
Customer eXperience Centre
200 – 6750 Century Ave.
Mississauga ON L5N 0B7

Adresse Internet : www.jennair.ca

ou composez le **1-800-807-6777**.

REMARQUE : Pour toute correspondance ou appel au sujet d'un problème de service, veuillez inclure les renseignements suivants :

1. Vos nom, adresse et numéro de téléphone durant la journée.
2. Numéros de modèle et de série de l'appareil.
3. Nom et adresse de votre marchand ou du service d'entretien.
4. Une description claire du problème existant.
5. Preuve d'achat (reçu de vente).

Les guides de l'utilisateur, manuels d'entretien et informations sur les pièces sont disponibles auprès du Centre pour l'eXpérience de la clientèle des appareils électroménagers de la marque Jenn-Air.

Accessoires

Pour commander un panneau personnalisé et une poignée de couleur, communiquez avec votre marchand local autorisé.

Sacs de rechange - Appelez pour avoir le numéro de pièce.

Filtres à air à charbon - Commander la Pièce Numéro 4151750

Panneau personnalisé et poignée de couleur :

Pièce Numéro W10122178 (noir)

Pièce Numéro W10122177 (blanc)

Pièce Numéro W10122193 (bronze huilé)

Pièce Numéro W10122189 (verre flottant noir)

Pièce Numéro W10122161 (poignée européenne)

Notes

GARANTIE DES GROS APPAREILS MÉNAGERS JENN-AIR®

GARANTIE LIMITÉE DE UN AN

Pendant un an à compter de la date d'achat, lorsque ce gros appareil ménager est utilisé et entretenu conformément aux instructions jointes à ou fournies avec le produit, Jenn-Air, marque de Whirlpool Corporation ou Whirlpool Canada LP (ci-après désignées "Jenn-Air") paiera pour les pièces spécifiées par l'usine et la main-d'œuvre pour corriger les vices de matériaux ou de fabrication. Le service doit être fourni par une compagnie de service désignée par Jenn-Air. Cette garantie limitée est valide uniquement aux États-Unis ou au Canada et s'applique exclusivement lorsque l'appareil est utilisé dans le pays où il a été acheté. À l'extérieur du Canada et des 50 États des États-Unis, cette garantie limitée ne s'applique pas. Une preuve de la date d'achat original est exigée pour obtenir un service dans le cadre de la présente garantie limitée.

ARTICLES EXCLUS DE LA GARANTIE

La présente garantie limitée ne couvre pas :

1. Les visites de service pour rectifier l'installation du gros appareil ménager, montrer à l'utilisateur comment utiliser l'appareil, remplacer ou réparer des fusibles ou rectifier le câblage ou la plomberie du domicile.
2. Les visites de service pour réparer ou remplacer les ampoules électriques de l'appareil, les filtres à air ou les filtres à eau. Les pièces consommables ne sont pas couvertes par la garantie.
3. Les réparations lorsque le gros appareil ménager est utilisé à des fins autres que l'usage unifamilial normal ou lorsque les instructions d'installation et/ou les instructions de l'opérateur ou de l'utilisateur fournies ne sont pas respectées.
4. Les dommages imputables à : accident, modification, usage impropre ou abusif, incendie, inondation, actes de Dieu, installation fautive ou installation non conforme aux codes d'électricité ou de plomberie, ou l'utilisation de pièces consommables ou de produits nettoyants non approuvés par Jenn-Air.
5. Les défauts apparents, notamment les éraflures, les bosses, fissures ou tout autre dommage au fini du gros appareil ménager, à moins que ces dommages soient dus à des vices de matériaux ou de fabrication et soient signalés à Jenn-Air dans les 30 jours suivant la date d'achat.
6. Toute perte d'aliments due à une défaillance du réfrigérateur ou du congélateur.
7. Les coûts associés au transport du gros appareil ménager du domicile pour réparation. Ce gros appareil ménager est conçu pour être réparé à domicile et seul le service à domicile est couvert par la présente garantie.
8. Les réparations aux pièces ou systèmes résultant d'une modification non autorisée faite à l'appareil.
9. Les frais de transport pour le service d'un produit si votre gros appareil est situé dans une région éloignée où un service d'entretien Jenn-Air autorisé n'est pas disponible.
10. La dépose et la réinstallation de votre gros appareil si celui-ci est installé dans un endroit inaccessible ou n'est pas installé conformément aux instructions d'installation fournies.
11. Les gros appareils ménagers dont les numéros de série et de modèle originaux ont été enlevés, modifiés ou qui ne peuvent pas être facilement identifiés. La présente garantie est nulle si le numéro de série d'usine a été modifié ou enlevé du gros appareil ménager.

Le coût d'une réparation ou d'un remplacement dans le cadre de ces circonstances exclues est à la charge du client.

CLAUSE D'EXONÉRATION DE RESPONSABILITÉ AU TITRE DES GARANTIES IMPLICITES; LIMITATION DES RECOURS

LE SEUL ET EXCLUSIF RECOURS DU CLIENT DANS LE CADRE DE LA PRÉSENTE GARANTIE LIMITÉE CONSISTE EN LA RÉPARATION PRÉVUE CI-DESSUS. LES GARANTIES IMPLICITES, Y COMPRIS LES GARANTIES APPLICABLES DE QUALITÉ MARCHANDE ET D'APTITUDE À UN USAGE PARTICULIER, SONT LIMITÉES À UN AN OU À LA PLUS COURTE PÉRIODE AUTORISÉE PAR LA LOI. JENN-AIR N'ASSUME AUCUNE RESPONSABILITÉ POUR LES DOMMAGES FORTUITS OU INDIRECTS. CERTAINES JURIDICTIONS NE PERMETTENT PAS L'EXCLUSION OU LA LIMITATION DES DOMMAGES FORTUITS OU INDIRECTS, OU LES LIMITATIONS DE LA DURÉE DES GARANTIES IMPLICITES DE QUALITÉ MARCHANDE OU D'APTITUDE À UN USAGE PARTICULIER, DE SORTE QUE CES EXCLUSIONS OU LIMITATIONS PEUVENT NE PAS S'APPLIQUER DANS VOTRE CAS. CETTE GARANTIE VOUS CONFÈRE DES DROITS JURIDIQUES SPÉCIFIQUES ET VOUS POUVEZ ÉGALEMENT JOUIR D'AUTRES DROITS QUI PEUVENT VARIER D'UNE JURIDICTION À UNE AUTRE.

Si vous résidez à l'extérieur du Canada et des 50 États des États-Unis, contactez votre marchand Jenn-Air autorisé pour déterminer si une autre garantie s'applique.

Si vous avez besoin de service, voir d'abord la section "Dépannage" du Guide d'utilisation et d'entretien. Après avoir vérifié la section "Dépannage", de l'aide supplémentaire peut être trouvée en vérifiant la section "Assistance ou service" ou en appelant Jenn-Air. Aux É.-U., composer le **1-800-536-6247**. Au Canada, composer le **1-800-807-6777**. 6/09

Conservez ce manuel et votre reçu de vente ensemble pour référence ultérieure. Pour le service sous garantie, vous devez présenter un document prouvant la date d'achat ou d'installation.

Inscrivez les renseignements suivants au sujet de votre gros appareil ménager pour mieux vous aider à obtenir assistance ou service en cas de besoin. Vous devrez connaître le numéro de modèle et le numéro de série au complet. Vous trouverez ces renseignements sur la plaque signalétique située sur le produit.

Nom du marchand _____

Adresse _____

Numéro de téléphone _____

Numéro de modèle _____

Numéro de série _____

Date d'achat _____

W10242571A
© 2010
All rights reserved.
Tous droits réservés.

® Registered Trademark/™ Trademark of Jenn-Air U.S.A.
Used under license in Canada.
® Marque déposée/™ Marque de commerce de Jenn-Air U.S.A.
Emploi sous licence au Canada.

2/10
Printed in U.S.A.
Imprimé aux É.-U.