

This Owner's Manual is provided and hosted by [Appliance Factory Parts](#).



# GE JVM1542WF03 Owner's Manual

[Shop genuine replacement parts for GE JVM1542WF03](#)



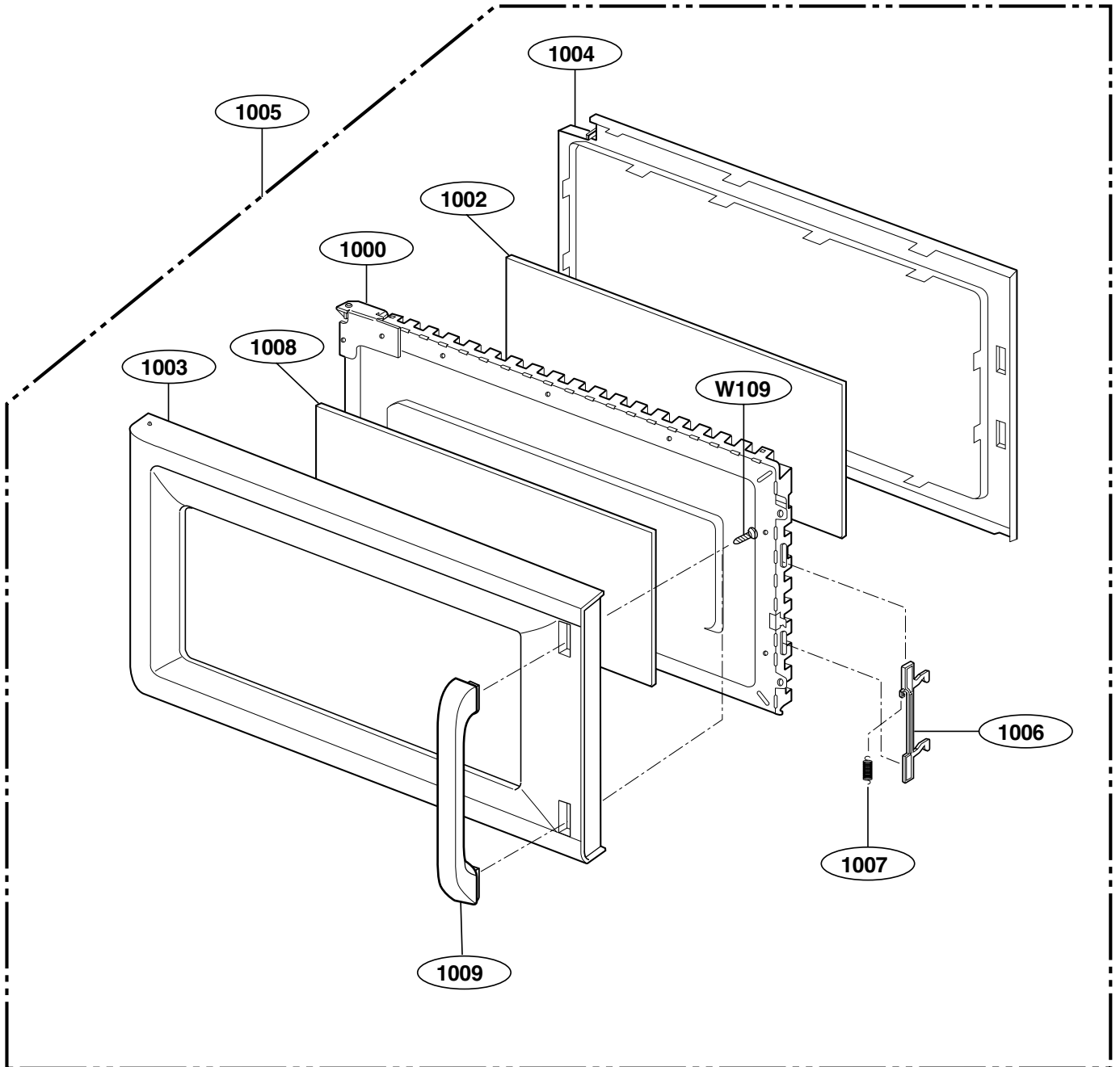
[Find Your GE Microwave Parts - Select From 3055 Models](#)

----- Manual continues below -----

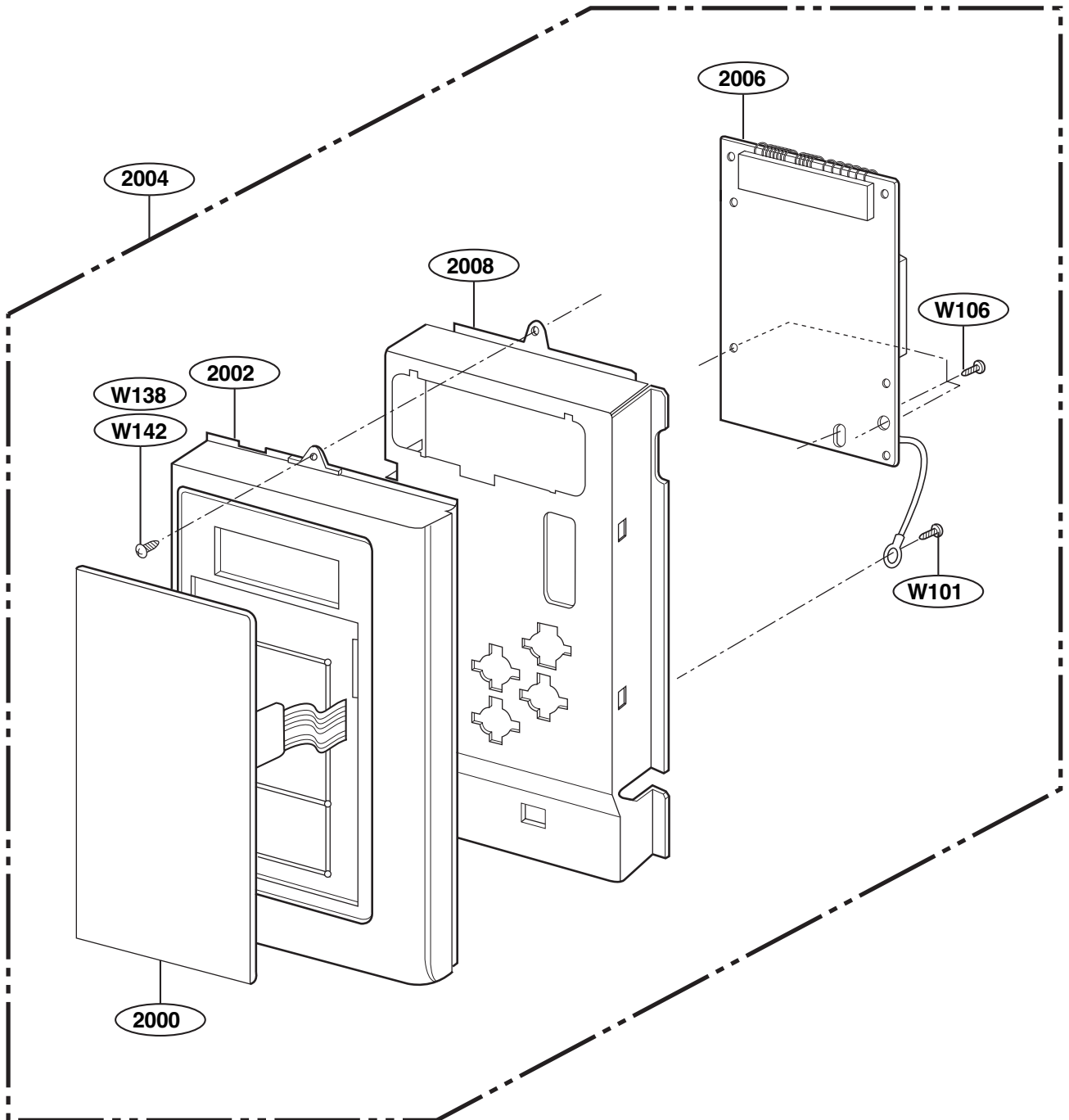
# EXPLODED VIEW

## DOOR PARTS

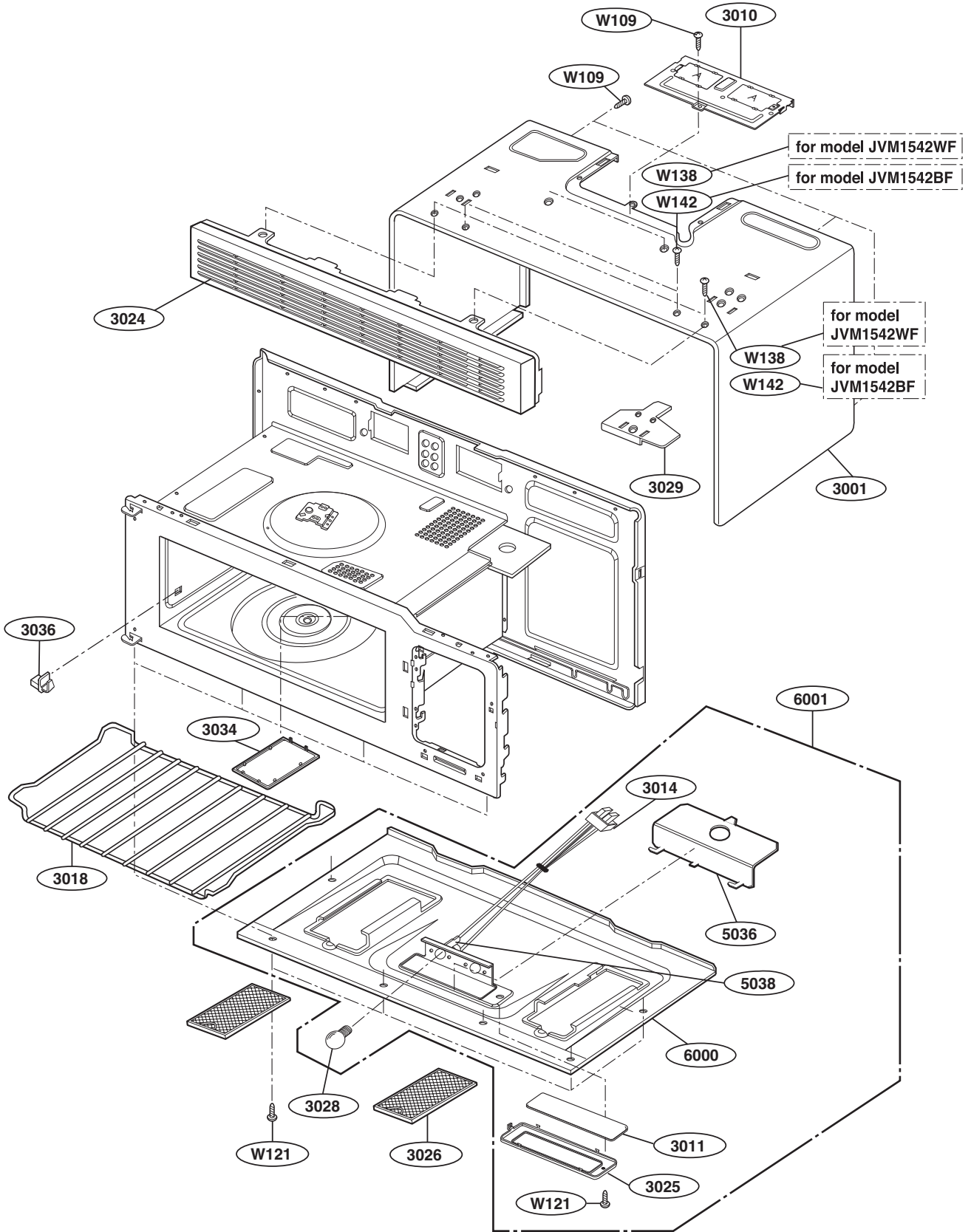
MODEL : JVM1542BF  
JVM1542WF



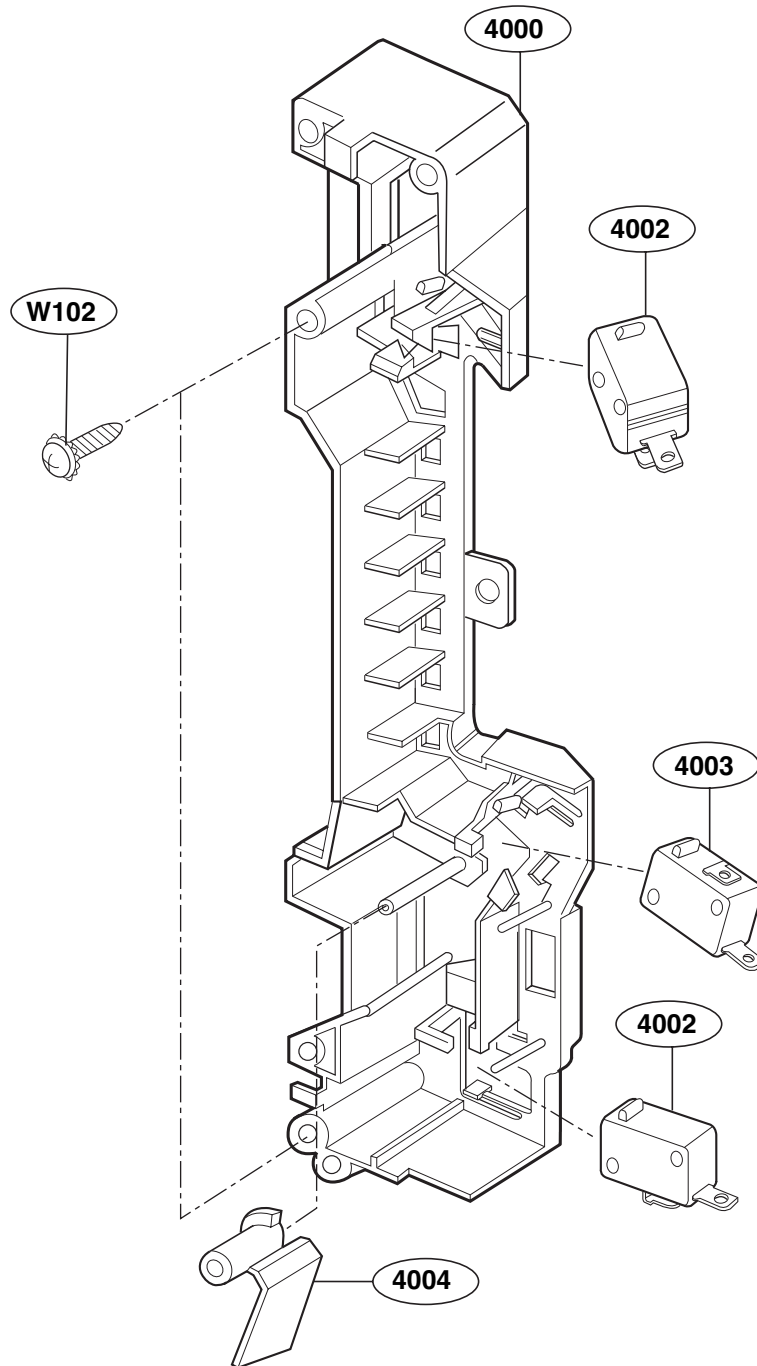
# CONTROLLER PARTS



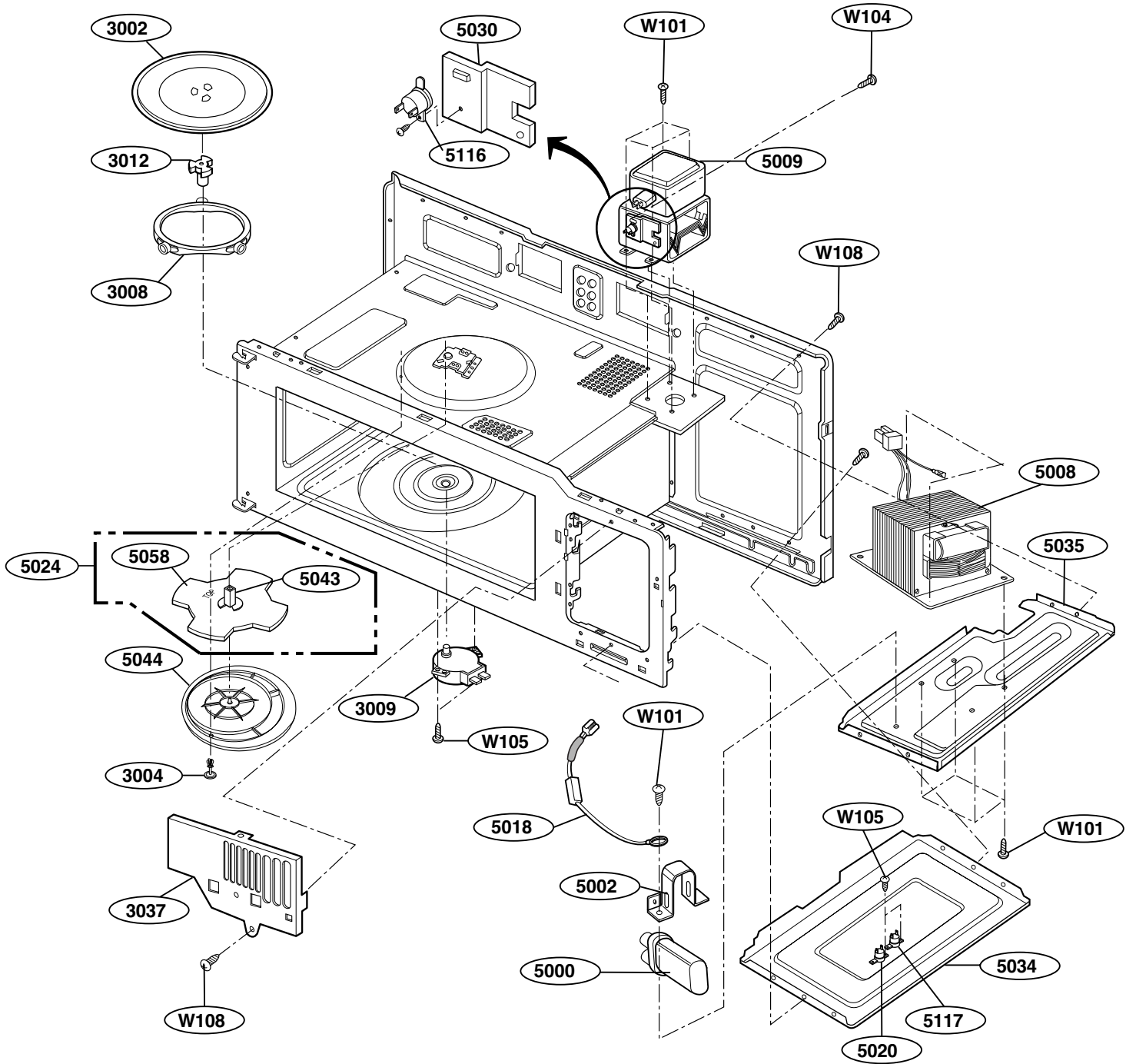
# OVEN CAVITY PARTS



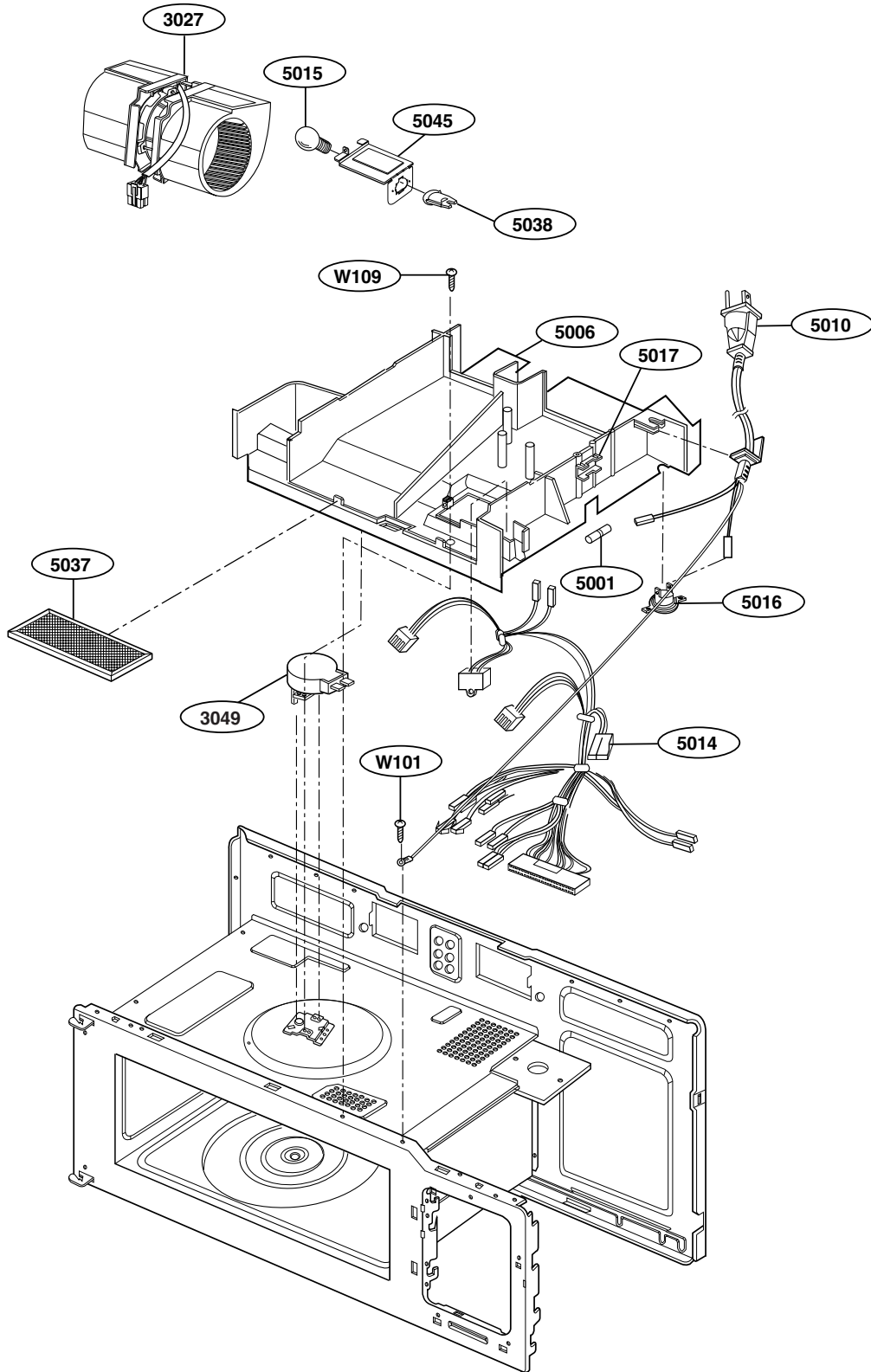
# LATCH BOARD PARTS



# INTERIOR PARTS (I)



# INTERIOR PARTS (II)



# INSTALLATION PARTS

