





# Washers

**Safety Instructions** ..... 2, 3

**Operating Instructions**

Control Panel ..... 4  
Control Settings ..... 5-7  
Features ..... 8  
Loading and Using the Washer ..... 9-12

**Installation Instructions** ..... 13-18

Drain Requirements ..... 16  
Electrical Requirements ..... 16  
Grounding Requirements ..... 16  
Installing the Washer ..... 17, 18  
Location of Your Washer ..... 14  
Preparing to Install Your Washer ..... 13  
Replacement Parts ..... 18  
Rough-In Dimensions ..... 14  
Unpacking Your Washer ..... 15  
Water Supply Requirements ..... 16

**Troubleshooting Tips** ..... 19-21

**Consumer Support**

Consumer Support ..... Back Cover  
Warranty (Canada) ..... 23  
Warranty (U.S.) ..... 22



As an ENERGY STAR® partner, GE has determined that this product meets the ENERGY STAR® guidelines for energy efficiency.

**Write the model and serial numbers here:**

**Model #** \_\_\_\_\_

**Serial #** \_\_\_\_\_

You can find them on a label inside the door.

**Owner's Manual & Installation Instructions**

WCVH4800K  
WCVH4815K

## Laveuses

**Manuel d'utilisation et d'installation**

La section française commence à la page 25

## Lavadoras

**Manual del propietario e instalación**

La sección en español empieza en la página 49

# IMPORTANT SAFETY INFORMATION. READ ALL INSTRUCTIONS BEFORE USING.

**⚠ WARNING!** For your safety, the information in this manual must be followed to minimize the risk of fire or explosion, electric shock, or to prevent property damage, personal injury or loss of life.

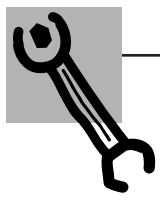
The instructions in this manual and all other literature included with this washer are not meant to cover every possible condition and situation that may occur. Good, safe practices and caution **MUST** be applied when installing, operating and maintaining any appliance.



## WATER HEATER SAFETY

Under certain conditions, hydrogen gas may be produced in a water heater that has not been used for two weeks or more. Hydrogen gas can be explosive under these circumstances.

If the hot water has not been used for two weeks or more, prevent the possibility of damage or injury by turning on all hot water faucets and allowing them to run for several minutes. Do this before using any electrical appliance which is connected to the hot water system. This simple procedure will allow any built-up hydrogen gas to escape. Since the gas is flammable, do not smoke or use an open flame or appliance during this process.



## PROPER INSTALLATION

This washer must be properly installed and located in accordance with the Installation Instructions before it is used.

- Install or store where it will not be exposed to temperatures below freezing or exposed to the weather, which could cause permanent damage and invalidate the warranty.
- Properly ground washer to conform with all governing codes and ordinances. Follow details in Installation Instructions.



## YOUR LAUNDRY AREA

- Keep the area underneath and around your appliances free of combustible materials such as lint, paper, rags and chemicals.
- Do not leave the washer door open. An open door could entice children to hang on the door or crawl inside the washer.
- Close supervision is necessary if this appliance is used by or near children. Do not allow children to play on, with or inside this or any other appliance.
- Keep all laundry aids (such as detergents, bleaches, etc.) out of the reach of children, preferably in a locked cabinet. Observe all warnings on container labels to avoid injury.
- Never climb on or stand on the washer top.



## WHEN USING THE WASHER

Use this appliance only for its intended purpose as described in this Owner's Manual.

- Never reach into washer while it is moving. Wait until the machine has completely stopped before opening the door.
- Do not mix chlorine bleach with ammonia or acids such as vinegar and/or rust remover. Mixing different chemicals can produce a toxic gas which may cause death.
- Do not wash or dry articles that have been cleaned in, washed in, soaked in or spotted with combustible or explosive substances (such as wax, oil, paint, gasoline, degreasers, dry-cleaning solvents, kerosene, etc.) which may ignite or explode. Do not add these substances to the wash water. Do not use or place these substances around your washer or dryer during operation.
- The laundry process can reduce the flame retardancy of fabrics. To avoid such a result, carefully follow the garment manufacturer's wash and care instructions.
- To minimize the possibility of electric shock, unplug this appliance from the power supply or disconnect the washer at the building's distribution panel by removing the fuse or switching off the circuit breaker before attempting any maintenance or cleaning. **NOTE:** Pressing the power button does **NOT** disconnect the appliance from the power supply.
- Never attempt to operate this appliance if it is damaged, malfunctioning, partially disassembled, or has missing or broken parts, including a damaged cord or plug.
- Do not slam the washer door closed. Do not try to force the door open when locked (LOCKED indicator ON). This could result in damage to the washer.
- The washer is equipped with an over-temperature detection system. The motor will stop if it becomes overheated. The washer will turn off the motor for 2 minutes to cool down. If the motor is still too hot after 2 minutes, the washer will repeat the cool-down a total of 3 times. If the motor remains too hot after 3 cool-downs, the washer will be paused until it is manually started again.



## WHEN NOT IN USE

- Turn off water faucets to relieve pressure on hoses and valves and to minimize leakage if a break or rupture should occur. Check the condition of the fill hoses; they should be replaced every 5 years.
- Do not attempt to repair or replace any part of this appliance unless specifically recommended in this Owner's Manual, or in published user-repair instructions that you understand and have the skills to carry out.
- Before discarding a washer, or removing it from service, remove the washer door to prevent children from hiding inside.
- Do not tamper with controls.



**READ AND FOLLOW THIS SAFETY INFORMATION CAREFULLY.  
SAVE THESE INSTRUCTIONS**

# About the washer control panel.

You can locate your model number on a label inside the door.

**⚠ WARNING!** To reduce the risk of fire, electric shock, or injury to persons, read the **IMPORTANT SAFETY INSTRUCTIONS** before operating this appliance.

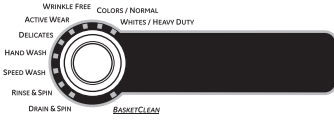
## Quick Start

If the screen is dark, press the **POWER** button to “wake up” the display.


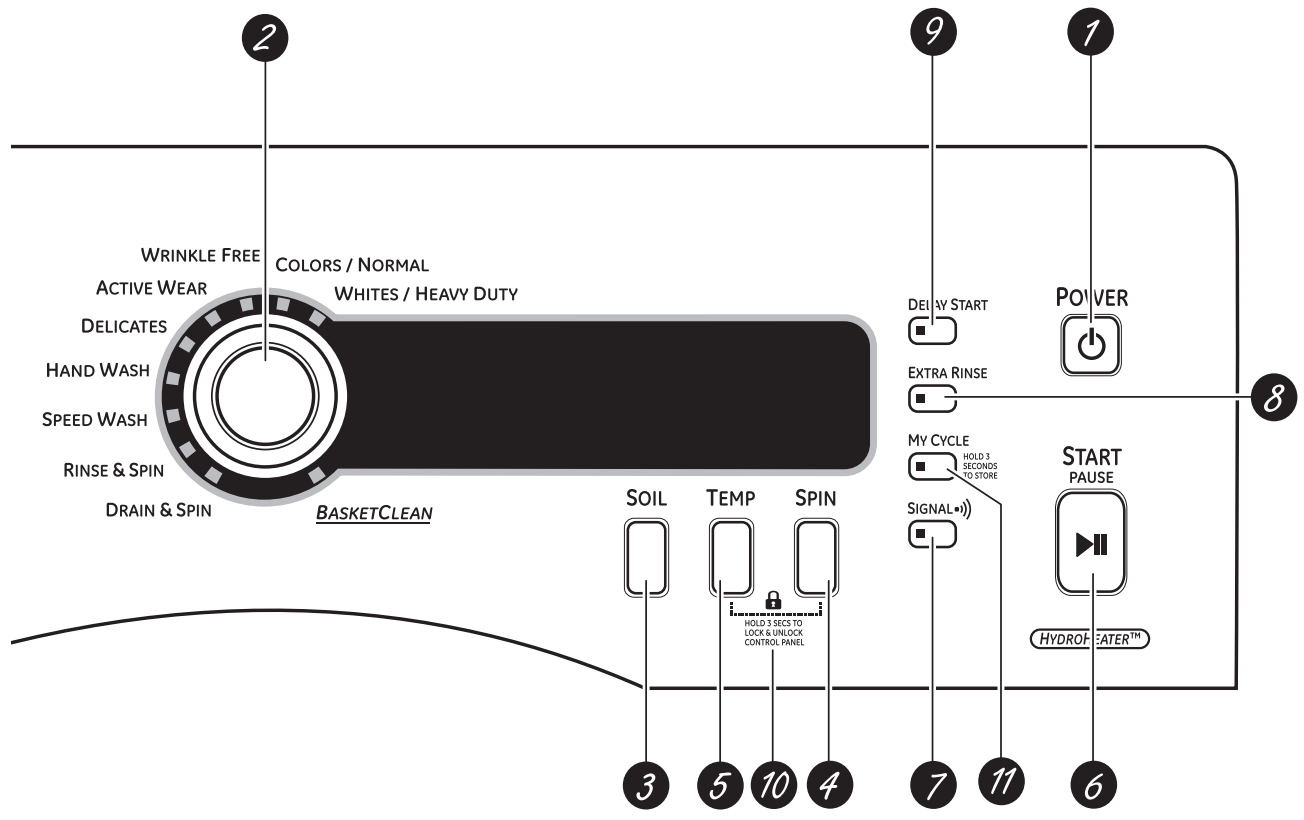
1 Press the **POWER** button.



2 Select a wash cycle. (Defaults are set for each wash cycle. These default settings can be changed. See *Control settings* for more information.)



3 If you selected a wash cycle, press the **START/PAUSE** button.

**1 Power**  
Press to “wake up” the display. If the display is active, press to put the washer into standby mode.  
**NOTE:** Pressing **POWER** does not disconnect the appliance from the power supply.

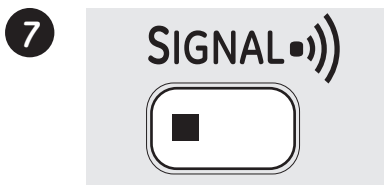
## 2 Wash Cycles

The wash cycles are optimized for specific types of wash loads. The chart below will help you match the wash setting with the loads. The Gentle Wash™ lifters lightly tumble the clothes into the water and detergent solution to clean the load.

|                                       |   |
|---------------------------------------|---|
| <b>WHITES/<br/>HEAVY DUTY</b>         | For heavily to lightly soiled white cottons, household linens, work and play clothes.   |
| <b>COLORS/NORMAL</b>                  | For heavy to lightly soiled colorfast cottons, household linens, work and play clothes.   |
| <b>WRINKLE FREE<br/>(PERMA PRESS)</b> | For Easy Care and permanent press items.  |
| <b>ACTIVE WEAR</b>                    | For active sports, exercise and some casual wear clothes. Fabrics include modern technology finishes and fibers such as spandex, stretch and microfibers.   |
| <b>DELICATES</b>                      | For lingerie and special-care fabrics with light to normal soil. Provides gentle tumbling and soak during wash and rinse.   |
| <b>HANDWASH</b>                       | For items labeled hand-washable with light soils. Provides gentle rocking to mimic the handwashing action.  |
| <b>SPEED WASH</b>                     | For lightly soiled items that are needed in a hurry. Cycle time is approximately 30 minutes, depending on selected options.   |
| <b>RINSE &amp; SPIN</b>               | To quickly rinse out any items at any time.   |
| <b>DRAIN &amp; SPIN</b>               | Drain and spin at any time.   |
| <b>BASKET CLEAN</b>                   | To clean drum and reduce odor.<br><b>NOTE:</b> Basket Clean is a special cycle used to clean the washer drum and reduce odor. DO NOT add garments to this cycle. Remove detergent cup and add one cup of bleach or other commercially available product manufactured for this purpose, such as Tide® Washing Machine Cleaner. |

## Control settings.

- 3 Soil Level**  
Changing the **SOIL** level increases or decreases the wash time to remove different amounts of soil. To change the **SOIL** level, press the **SOIL** level button until you have reached the desired setting. You can choose between Extra Light, Light, Normal, Heavy or Extra Heavy soil.
- 4 Spin Speed**  
Changing the **SPIN** setting changes the final spin speed of the cycles. Always follow the garment manufacturer's care label when changing the **SPIN** setting.  
To change the **SPIN** setting, press the **SPIN** setting button until you have reached the desired setting. You can choose between No Spin, Low, Medium, High or Extra High Spin. Higher spin speeds are not available on certain cycles, such as Delicates.  
Higher spin speeds remove more water from the clothes and will help reduce dry time, but may also increase the possibility of setting wrinkles on some fabrics.
- 5 Wash Temp**  
Adjust to select the proper water temperature for the wash cycle. The rinse water is always cold to help reduce energy usage and reduce setting of stains and wrinkles.  
Follow the fabric manufacturer's care label when selecting the wash temperature.  
To change the wash temperature, press the **TEMP** button until you have reached the desired setting. You can choose between Tap Cold, Cold, Warm, Hot or Sanitize. The Sanitized wash temperature is not available on certain cycles, such as Delicates.  
  
When selecting the Sanitize wash temperature, the washer increases the water temperature to sanitize and kill more than 99% of many common bacteria found in home laundry. The sanitize wash temperature is only available on the Whites/Heavy Duty wash cycle. For best results, select the heavy soil setting when using the Sanitize wash temperature setting.
- 6 Start/Pause**  
Press to start a wash cycle. If the washer is running, pressing it once will pause the washer and unlock the door. This function can be used to add garments during a cycle. Press again to restart the wash cycle.  
**NOTE:** If the washer is paused and the cycle is not restarted within 15 minutes, the current wash cycle will be cancelled.  
**NOTE:** In some cases the washer will drain first, then unlock the door when it is paused.  
**NOTE:** The washer performs automatic system checks after pressing the **START/PAUSE** button. Water will flow in 45 seconds or less. You may hear the door lock and unlock before water flows; this is normal.



### Signal

When the light is “on,” the washer will beep at the end of the cycle and every time you press a button on the control panel.

To turn the signal off, press the **SIGNAL** button and the light will go off.



### Extra Rinse

Use an extra rinse when additional rinsing is desired to remove excess dirt and detergent from soiled loads.



### Delay Start

Use to delay the start of your washer.

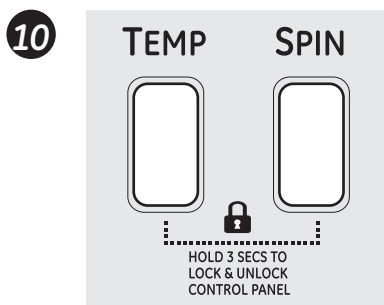
1. Choose your wash cycle and any options.
2. Press **DELAY START** button. You can change the delay time in 1-hour increments (up to 18 hours) each time you press the **DELAY START** button. Stop pressing the button when your desired time is displayed.
3. Press the **START/PAUSE** button to start the countdown.

The countdown time will be shown in the **ESTIMATED TIME REMAINING** display.

#### NOTES:

- If the door is opened while the washer is in **DELAY**, the countdown time will continue to count down the delay time. If the door is not closed and the countdown time expires, the cycle will not start until the door is closed and the **START/PAUSE** button is pressed.
- You can delay the start of a washer cycle up to 18 hours.

The light on the button will light up when **DELAY START** is on.



### Lock

You can lock the controls to prevent any selections from being made. Or you can lock or unlock the controls after you have started a cycle.

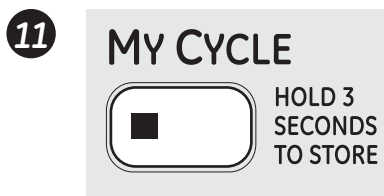
*Children cannot accidentally start the washer by touching pads with this option selected.*

To lock the washer, press and hold the **TEMP** and **SPIN** buttons together for 3 seconds.

To unlock the washer controls, press and hold the **TEMP** and **SPIN** buttons together for 3 seconds. A sound is made to indicate the lock/unlock status.

The control lock icon on the display will light up when it is on.

**NOTE:** The **POWER** button can still be used when the machine is locked.



### My Cycle

To save a favorite cycle, set the desired settings for wash cycle, soil level, spin speed and wash temp settings and hold down the **MY CYCLE** button for 3 seconds. A beep will sound to indicate the cycle has been saved.

To use your custom cycle, press the **MY CYCLE** button before washing a load.

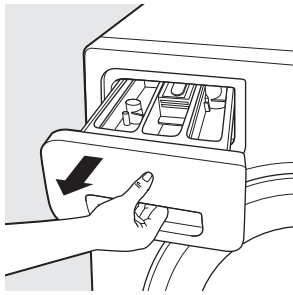
To change the saved cycle, set the desired settings and hold down the **MY CYCLE** button for 3 seconds.

**NOTE:** When using **MY CYCLE**, wash options cannot be modified after the cycle has been started.

**NOTE:** If you change wash options with **MY CYCLE** before starting the cycle, the **MY CYCLE** light will turn off and you will be returned to the base cycle.



## About the washer features.



### The Dispenser Drawer

Slowly open the dispenser drawer by pulling it out until it stops.

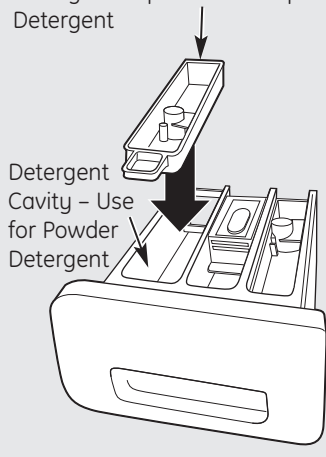
After adding laundry products, slowly close the dispenser drawer. Closing the drawer too quickly could result in early dispensing of the bleach, fabric softener or detergent.

You may see water in the bleach and fabric softener compartments at the end of the cycle. This is a result of the flushing/siphoning action and is part of the normal operation of the washer.

**Use only HE High-Efficiency detergent.**



Detergent Cup – Use for Liquid Detergent



### The Detergent Compartment

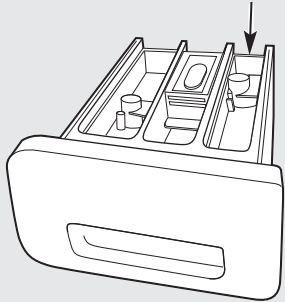
- **Only use high-efficiency detergent in this washer. Use the detergent manufacturer's recommended amount. DO NOT fill above the MAX line.**

The detergent compartment is in the left side of the dispenser drawer. The detergent cavity (cup removed) is used for powder detergent, and the detergent cup is used for liquid detergent.


- **Powder Detergent** – Remove the detergent cup and pour the suggested amount of powder detergent into the detergent cavity.
- **Liquid Detergent** – Leave the detergent cup in the drawer and pour liquid detergent into the cup. Do not fill above the MAX line.

- Add measured detergent to the left detergent compartment of the dispenser drawer.
- Detergent is flushed from the dispenser at the beginning of the wash cycle. Either powdered or liquid high-efficiency detergent can be used.
- Detergent usage may need to be adjusted for water temperature, water hardness, size and soil level of the load. Avoid using too much detergent in your washer since it can lead to oversudsing and detergent residue being left on the clothes.

Liquid Bleach Compartment



### The Liquid Bleach Compartment

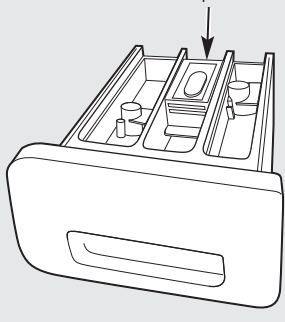
If desired, measure out the recommended amount of liquid bleach, not to exceed 1/3 cup (80 ml) and pour into the right compartment labeled "LIQUID BLEACH" marked with this symbol .

*It is recommended to use High-Efficiency (HE) bleach in this front-load washer.*

*Do not exceed the maximum fill line. Overfilling can cause early dispensing of the bleach which could result in damaged clothes.*

**NOTE:** Do not use powdered bleach in the dispenser.

Fabric Softener Compartment



### The Fabric Softener Compartment

If desired, pour the recommended amount of liquid fabric softener into the compartment labeled "FABRIC SOFTENER."

Use only liquid fabric softener in the dispenser.

*Dilute with water to the maximum fill line.*

*Do not exceed the maximum fill line. Overfilling can cause early dispensing of the fabric softener, which could stain clothes.*

**NOTE:** Do not pour fabric softener directly on the wash load.

# Loading and using the washer.

Always follow fabric manufacturer's care label when laundering.

GEAppliances.com



## Sorting Wash Loads

| Colors | Soil   | Fabric         | Lint            |
|--------|--------|----------------|-----------------|
| Whites | Heavy  | Delicates      | Lint Producers  |
| Lights | Normal | Easy Care      | Lint Collectors |
| Darks  | Light  | Sturdy Cottons |                 |

- Combine large and small items in a load. Load large items first. Large items should not be more than half the total wash load.
- Washing single items is not recommended. This may cause an out-of-balance load. Add one or two similar items.
- Pillows and comforters should not be mixed with other items. This may cause an out-of-balance load.
- Sort dark-colored clothes from light-colored clothes to prevent dye transfer. This is a high-efficiency washer, so it uses less water, making dye transfer more common.



## Loading the Washer

The wash drum may be fully loaded with loosely added items. **Do not wash garments containing flammable materials (waxes, cleaning fluids, etc.).**

To add items after the washer has started, press **START/PAUSE** and wait until the door is unlatched. The washer may take up to 30 seconds to unlock the door after pressing **START/PAUSE**, depending on the machine conditions. Do not try to force open the door when it is locked. After the door unlocks, open gently. Add items, close the door and press **START/PAUSE** to restart.

## Loading and using the washer.



### Care and Cleaning/General Maintenance

**Exterior:** Immediately wipe off any spills. Wipe with damp cloth. Wipe or dust spills or washing compounds with a damp cloth. Washer control panel and finishes may be damaged by some laundry pretreatment and stain remover products. Apply these products away from the washer. The fabric may then be washed and dried normally. Damage to your washer caused by these products is not covered by your warranty. Do not hit surface with sharp objects.

**Interior:** Dry around the washer door opening, flexible gasket (including attached hoses) and door glass. These areas should always be clean to ensure a watertight seal.

It is recommended to rinse the washer at least once per month with 1 cup of bleach (or other commercially available product manufactured for this purpose, such as Tide® Washing Machine Cleaner) poured into the bleach section of the dispenser (no clothes) using the **BASKET CLEAN** cycle (found in the **WASHER** cycles menu).

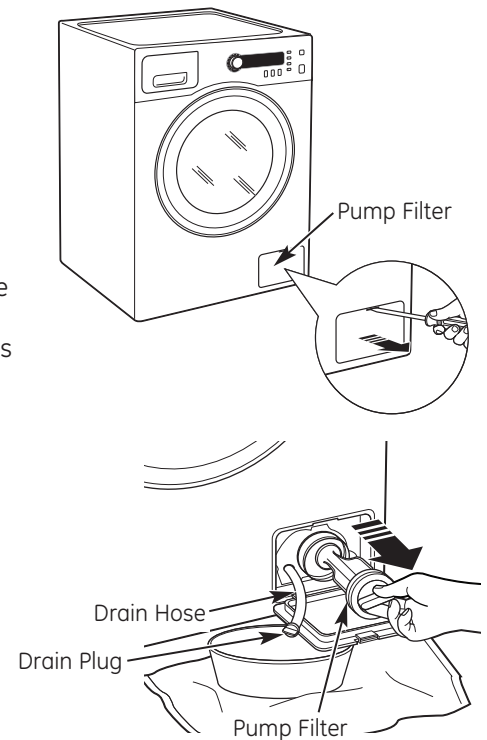
**Moving and Storage:** Ask the service technician to remove water from drain pump and hoses. Do not store the washer where it will be exposed to the weather. When moving the washer, the tub should be kept stationary by using the shipping bolts removed during installation. See Installation Instructions in this manual. If these parts are not available, they can be ordered by visiting our Website at [GEAppliances.com](http://GEAppliances.com) or by calling 800.GE.CARES.

**Long Vacations:** Be sure water supply is shut off at faucets. Drain all water from hoses if weather will be below freezing.

#### Clean Pump Filter

Due to the nature of the front-load washer, it is sometimes possible for small articles to pass to the pump. The washer has a filter to capture lost items so they are not dumped to the drain. To retrieve lost items, clean out the pump filter.

1. With a knife or slotted screwdriver, pry open the door on the bottom right of the front of the unit.
2. Twist the small white cap counterclockwise a quarter turn and unhook the small rubber hose. Pull the hose out of the hole and remove the white drain hose plug above a small pan to capture any water that may drain. Drain the excess water. Replace.
3. Unscrew the pump filter. Rinse. Replace.
4. Close the access door.

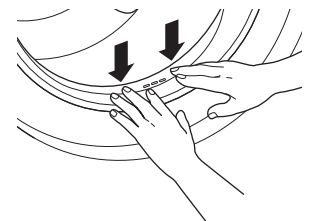


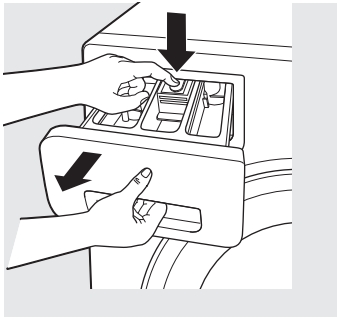
#### Cleaning the Door Gasket

Open the washer door. Using both hands, press down the door gasket. Remove any foreign objects if found trapped inside the gasket. Make sure there is nothing blocking the holes behind the gasket.

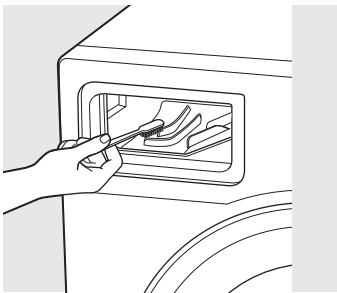
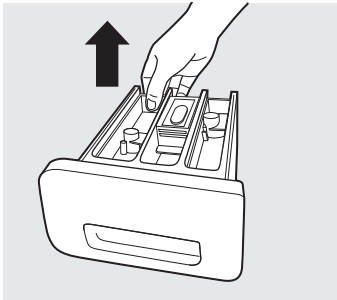
While holding down the door gasket, inspect the interior of the gasket by pulling it down with your fingers. Remove any foreign objects if found trapped inside this gasket. Make sure there is nothing blocking the holes behind the gasket.

When you are finished cleaning the door gasket, remove your hands and the gaskets will return to the operating position.





Lock tab is visible only after drawer has been pulled out



**Dispenser Drawer Area:** Detergent and fabric softener may build up in the dispenser drawer. Residue should be removed once or twice a month.

- Remove the drawer by first pulling it out until it stops. Then reach back into the rear center of the drawer cavity and press down firmly on the lock tab, pulling out the drawer.
- Remove all cups and inserts from the dispenser drawer. Rinse the inserts, cups and drawer with hot water to remove traces of accumulated laundry products.
- To clean the drawer opening, use a small brush to clean the recess. Remove all residue from the upper and lower parts of the recess.
- Return inserts to the proper compartments. Replace the dispenser drawer.

■ To reduce buildup in the Dispenser Drawer area:

**Use only HE  
High-Efficiency  
detergent.**



# Loading and using the washer.



## Fabric Care Labels

Below are fabric care label “symbols” that affect the clothing you will be laundering.

### WASH LABELS

|                           |                     |                                       |                      |           |                          |              |
|---------------------------|---------------------|---------------------------------------|----------------------|-----------|--------------------------|--------------|
| <i>Machine wash cycle</i> |                     |                                       |                      |           |                          |              |
|                           | Normal              | Permanent Press/<br>wrinkle resistant | Gentle/<br>delicate  | Hand wash | Do not wash              | Do not wring |
| <i>Water temperature</i>  |                     |                                       |                      |           |                          |              |
|                           | Hot<br>(50°C/120°F) |                                       | Warm<br>(40°C/105°F) |           | Cold/cool<br>(30°C/85°F) |              |

### BLEACH LABELS

|                       |                             |   |               |
|-----------------------|-----------------------------|---|---------------|
| <i>Bleach symbols</i> |                             |   |               |
|                       | Any bleach<br>(when needed) | Only non-chlorine bleach<br>(when needed) | Do not bleach |

### DETERGENT LABELS

|  |   |
|--|---|
|  | <i>Use only HE High-Efficiency detergent.</i> |
|--|---|

# Installation Instructions

# Washer

WCVH4800 and WCVH4815

If you have any questions, call 800.GE.CARES (800.432.2737) or visit our Website at: [GEAppliances.com](http://GEAppliances.com)  
In Canada, call 1.800.561.3344 or visit [www.GEAppliances.ca](http://www.GEAppliances.ca)

## BEFORE YOU BEGIN

Read these instructions completely and carefully.

- **IMPORTANT** – Save these instructions for local inspector's use.
- **IMPORTANT** – Observe all governing codes and ordinances.
- **Note to Installer** – Be sure to leave these instructions with the Consumer.
- **Note to Consumer** – Keep these instructions for future reference.
- **Skill level** – Installation of this appliance requires basic mechanical and electrical skills.
- **Completion time** – 1-3 hours
- Proper installation is the responsibility of the installer.
- Product failure due to improper installation is not covered under the Warranty.

## FOR YOUR SAFETY:

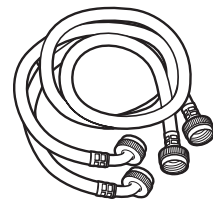
### ⚠ WARNING

- This appliance must be properly grounded and installed as described in these *Installation Instructions*.
- Do not install or store appliance in an area where it will be exposed to water/weather. See *Location of Your Washer* section.
- **NOTE: This appliance must be properly grounded, and electrical service to the washer must conform with local codes and ordinances and the latest edition of the National Electrical Code, ANSI/NFPA 70.**

## TOOLS REQUIRED FOR WASHER INSTALLATION

- Wrench (provided)
- Channel-lock adjustable pliers
- Carpenter's level

## PARTS SUPPLIED



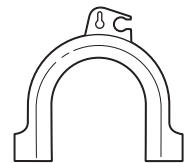
Water Hoses (2)



Wrench



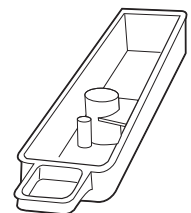
Hose Fittings (4)



Hose Guide



Shipping Bolt Hole Covers (5)



Detergent Cup

# Installation Instructions

## LOCATION OF YOUR WASHER

### Do Not Install the Washer:

1. In an area exposed to dripping water or outside weather conditions. The ambient temperature should never be below 60°F (15.6°C) for proper washer operation.
2. In an area where it will come in contact with curtains or drapes.
3. On carpet. The floor **MUST** be a hard surface with a maximum slope of 1/2" per foot (1.27 cm per 30 cm). To make sure the washer does not vibrate or move, you may have to reinforce the floor.

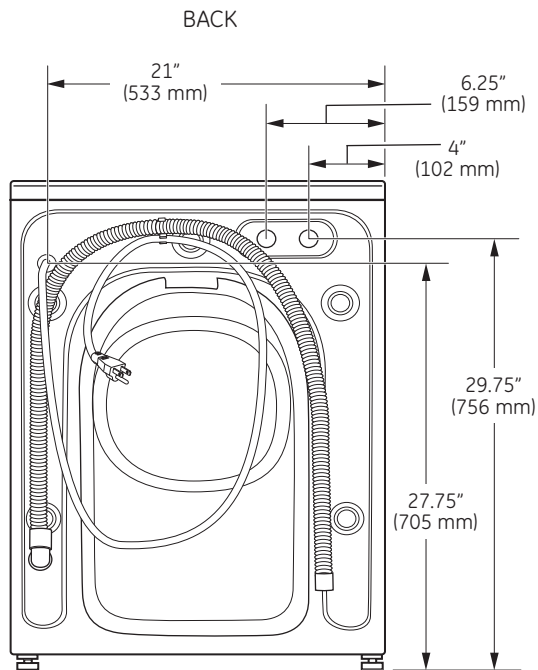
**NOTE:** If floor is in poor condition, use 3/4" impregnated plywood sheet solidly attached to existing floor covering.

### IMPORTANT:

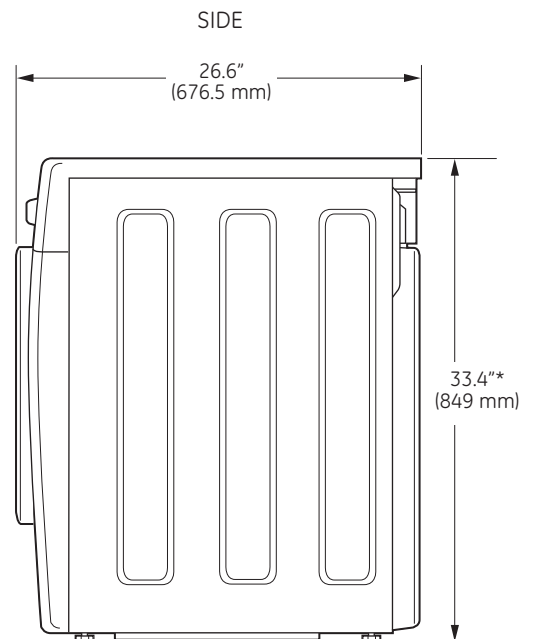
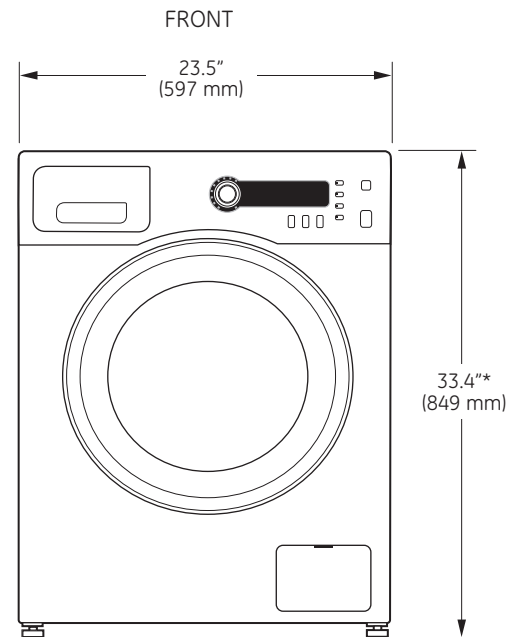
#### Minimum Installation Clearances

- When installed in alcove: Sides, Rear, Top = 0" (0 cm)
- When installed in closet: Sides, Rear, Top = 0" (0 cm), Front = 1" (2.54 cm)
- Closet door ventilation openings required: 2 louvers each 60 square in. (387 cm<sup>2</sup>), located 3" (7.6 cm) from top and bottom of door

## CONTRACTOR DIMENSIONS



## ROUGH-IN DIMENSIONS



**\*NOTE:**

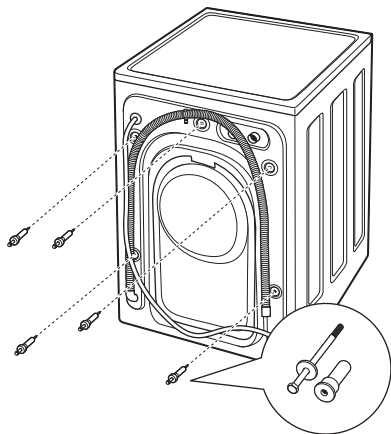
Washer legs have 0.75" (19 mm) adjustability.  
Stacked: 67.7" (171.8 cm)

# Installation Instructions

## UNPACKING THE WASHER

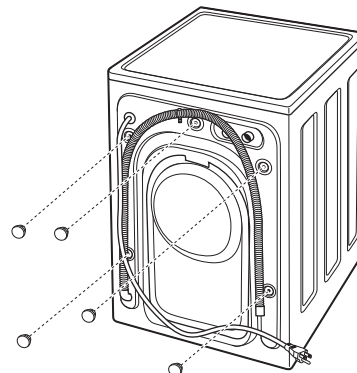
**⚠ WARNING:** Recycle or destroy the carton and plastic bags after the washer is unpacked. Make materials inaccessible to children. Children might use them for play. Cartons covered with rugs, bedspreads or plastic sheets can become airtight chambers causing suffocation.

1. Cut and remove all packaging straps.
2. While it is in the carton, carefully lay the washer on its side. **DO NOT** lay the washer on its front or back.
3. Turn down the bottom flaps. Remove all base packaging including the styrofoam base.
4. Carefully return the washer to an upright position and remove the carton by lifting it upward.
5. Carefully move the washer to within 4 feet (122cm) of the final location.
6. Remove the following from the back side of the washer:
  - 5 bolts
  - 5 plastic spacers (including rubber grommets)



## UNPACKING THE WASHER (cont.)

7. Insert shipping bolt hole covers into shipping bolt holes.



### NOTES:

- Failure to remove the shipping braces can cause the washer to become severely unbalanced.
- Save all bolts for future use.
- If you must transport the washer at a later date, you must reinstall the shipping support hardware to prevent shipping damage. Keep the hardware in the plastic bag provided.



# Installation Instructions

## ELECTRICAL REQUIREMENTS

Read these instructions completely and carefully.

### **⚠ WARNING**—TO REDUCE THE RISK OF FIRE, ELECTRICAL SHOCK AND PERSONAL INJURY:

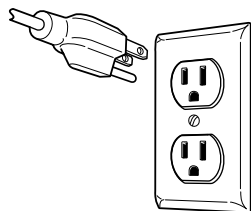
- **DO NOT USE AN EXTENSION CORD OR AN ADAPTER PLUG WITH THIS APPLIANCE.**

Washer must be electrically grounded in accordance with local codes and ordinances or, in the absence of local codes, in accordance with the NATIONAL ELECTRICAL CODE, ANSI/NFPA NO. 70.

**CIRCUIT** – Individual, properly polarized and grounded 15-amp branch circuit fused with 15-amp, time-delay fuse or circuit breaker.

**POWER SUPPLY** – 2-wire, with ground, 120-volt, single-phase, 60-Hz, Alternating Current.

**OUTLET RECEPTACLE** – Properly grounded 3-prong receptacle to be located so the power supply cord is accessible when the washer is in an installed position.



## GROUNDING REQUIREMENTS

**⚠ WARNING:** Improper connection of the equipment-grounding conductor can result in a risk of electrical shock. Check with a licensed electrician if you are in doubt as to whether the appliance is properly grounded.

1. The washer **MUST** be grounded. In the event of malfunction or breakdown, grounding will reduce the risk of electrical shock by providing a path of least resistance for electrical current.
2. Since your washer is equipped with a power supply cord having an equipment-grounding conductor and a grounding plug, the plug **MUST** be plugged into an appropriate, copper-wired receptacle that is properly installed and grounded in accordance with all local codes and ordinances or in the absence of local codes, with the National Electrical Codes, ANSI/NFPA 70 (latest edition). If in doubt, call a licensed electrician. **DO NOT** cut off or alter the grounding prong on the power supply cord. In situations where a two-slot receptacle is present, it is the owner's responsibility to have a licensed electrician replace it with a **properly grounded** three-prong, grounding-type receptacle.

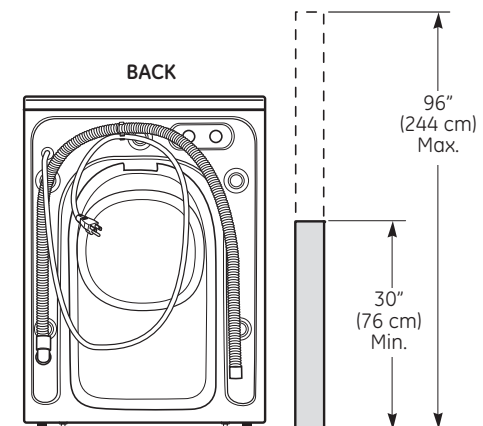
## WATER SUPPLY REQUIREMENTS

Hot and cold water faucets **MUST** be installed within 42 inches (107 cm) of your washer's water inlet. The faucets **MUST** be 3/4" (1.9 cm) garden hose-type so inlet hoses can be connected. Water pressure **MUST** be between 10 and 120 pounds per square inch. Your water department can advise you of your water pressure. The hot water temperature should be set to deliver water at 120° to 140°F (48°–60°C) to provide proper Automatic Temperature Control (ATC) performance.

## DRAIN REQUIREMENTS

1. Drain capable of eliminating 17 gals (64.3 L) per minute.
2. A standpipe diameter of 1-1/4" (3.18 cm) minimum.
3. The standpipe height above the floor should be:  
Minimum height: 30" (76 cm)  
Maximum height: 96" (244 cm)

To achieve a drain height above 58" (147 cm), to a maximum of 96", a service kit must be purchased through GE Service (WH49X301).

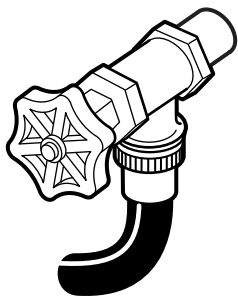
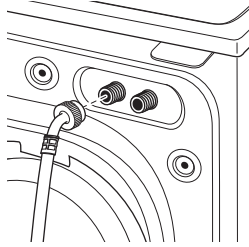


**NOTE:** The drain hose attached to the washer can reach a 58"-high standpipe. For a higher standpipe, contact an authorized parts distributor.

# Installation Instructions

## INSTALLING THE WASHER

1. Run some water from the hot and cold faucets to flush the water lines and remove particles that might clog the water valve screens.
2. Remove the inlet hoses from the plastic bag. Remove black rubber washers from bag and insert into hose fitting before connecting to unit.
3. (90° elbow end)  
Carefully connect the inlet hose marked HOT to the outside "H" outlet of the water valve. Tighten by hand; then tighten another 2/3 turn with pliers. Carefully connect the other inlet hose to the inside "C" outlet of the water valve. Tighten by hand; then tighten another 2/3 turn with pliers. **Do not cross-thread or overtighten these connections.**
4. Connect the inlet hose ends to the HOT and COLD water faucets tightly by hand; then tighten another 2/3 turn with pliers. Turn the water on and check for leaks.

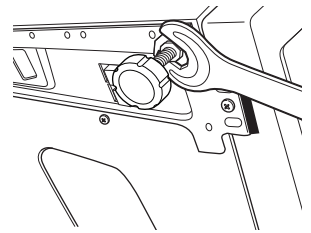


5. Carefully move the washer to its final location. Gently rock the washer into position. It is important not to damage the rubber leveling legs when moving your washer to its final location. Damaged legs can increase washer vibration. It may be helpful to spray window cleaner on the floor to help move your washer into its final position. **NOTE: To reduce vibration, ensure that all four rubber leveling legs are firmly touching the floor. Push and pull on the back right and then back left of your washer.**

**NOTE:** Do not use the dispenser drawer or door to lift the washer.

**NOTE:** If you are installing into a drain pan, you can use a 24-inch-long 2x4 to lever the washer into place.

6. With the washer in its final position, place a level on top of the washer (if the washer is installed under a counter, the washer should not be able to rock). Adjust the front leveling legs up or down to ensure the washer is resting solidly. Turn the locknuts on each leg up toward the base of the washer and snug with a wrench.



**NOTE: Keep the leg extension at a minimum to prevent excessive vibration. The farther out the legs are extended, the more the washer will vibrate.**

If the floor is not level or is damaged, you may have to extend the rear leveling legs.

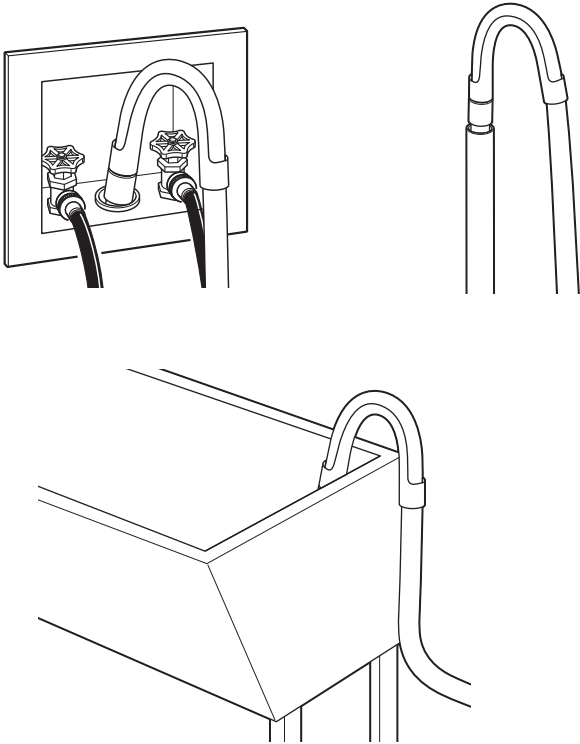
# Installation Instructions

## INSTALLING THE WASHER (cont.)

7. Attach U-shaped hose guide to the end of the drain hose. Place the hose in a laundry tub or standpipe.

**NOTE:** If the drain hose is placed in a standpipe without forming a U shape, a siphoning action could occur. There must be an air gap around the drain hose. A snug hose fit can also cause a siphoning action.

8. Plug the power cord into a grounded outlet.



**NOTE:** Check to be sure the power is off at the circuit breaker/fuse box before plugging the power cord into an outlet.

9. Turn on the power at the circuit breaker/fuse box.
10. Read the rest of this Owner's Manual. It contains valuable and helpful information that will save you time and money.

### 11. Before starting the washer, check to make sure:

- Main power is turned on.
- The washer is plugged in.
- The water faucets are turned on.
- The unit is level and all four leveling legs are firmly on the floor.
- The shipping support hardware is removed and saved.
- The drain hose is properly tied up.
- There are no leaks at the faucet, drain line or washer.

12. Run the washer through a complete cycle. Check for water leaks and proper operation.

13. If your washer does not operate, please review the *Before you call for service* section before calling for service.

14. Place these instructions in a location near the washer for future reference.

## REPLACEMENT PARTS

If replacement parts are needed for your washer, they can be ordered in the United States by visiting our Website at [GEAppliances.com](http://GEAppliances.com) or by calling 800.GE.CARES. In Canada, visit [www.GEAppliances.ca](http://www.GEAppliances.ca) or call 1.800.561.3344.



**Troubleshooting Tips**  
 Save time and money! Review the charts on the following pages first and you may not need to call for service.

| Problem                          | Possible Cause  | What To Do   |
|----------------------------------|---|--|
| <b>Not spinning or agitating</b> | Drain hose is kinked or improperly connected                      | <ul style="list-style-type: none"> <li>Straighten drain hose and make sure washer is not sitting on it.</li> </ul>   |
|                                  | Household drain may be clogged                                    | <ul style="list-style-type: none"> <li>Check household plumbing. You may need to call a plumber.</li> </ul>  |
|                                  | Drain hose siphoning; drain hose pushed too far down in the drain | <ul style="list-style-type: none"> <li>Ensure there is an air gap between hose and drain.</li> </ul>   |
|                                  | Washer pump filter may be clogged                                 | <ul style="list-style-type: none"> <li>Clean Pump Filter – Open the pump access door (use a coin) and remove the pump filter by turning it counterclockwise and pulling out. Clean the filter, removing all loose debris, and put filter back in place.</li> </ul> |
|                                  | Load is out of balance  | <ul style="list-style-type: none"> <li>Redistribute clothes and run Drain &amp; Spin or Rinse &amp; Spin.</li> <li>Increase load size if washing small load containing heavy and light items.</li> </ul>   |
| <b>Leaking water</b>             | Door gasket is damaged  | <ul style="list-style-type: none"> <li>Check to see if gasket is seated and not torn. Objects left in pockets may cause damage to the washer (nails, screws, pens, pencils).</li> </ul>  |
|                                  | Door gasket not damaged   | <ul style="list-style-type: none"> <li>Water may drip from the door when the door is opened. This is a normal operation.</li> </ul>  |
|                                  | Check back left of washer for water                               | <ul style="list-style-type: none"> <li>If this area is wet, you have oversudsing condition. Use less detergent.</li> </ul>   |
|                                  | Fill hoses or drain hose is improperly connected                  | <ul style="list-style-type: none"> <li>Make sure hose connections are tight at washer and faucets and make sure end of drain hose is correctly inserted in and secured to drain facility.</li> </ul>   |
|                                  | Household drain may be clogged                                    | <ul style="list-style-type: none"> <li>Check household plumbing. You may need to call a plumber.</li> </ul>  |
| <b>Not draining</b>              | Drain hose is kinked or improperly connected                      | <ul style="list-style-type: none"> <li>Straighten drain hose and make sure washer is not sitting on it.</li> </ul>   |
|                                  | Household drain may be clogged                                    | <ul style="list-style-type: none"> <li>Check household plumbing. You may need to call a plumber.</li> </ul>  |
|                                  | Drain hose siphoning; drain hose pushed too far down in the drain | <ul style="list-style-type: none"> <li>Ensure there is an air gap between hose and drain.</li> </ul>   |
|                                  | Washer pump filter may be clogged                                 | <ul style="list-style-type: none"> <li>Clean Pump Filter – Open the pump access door (use a coin) and remove the pump filter by turning it counterclockwise and pulling out. Clean the filter, removing all loose debris, and put filter back in place.</li> </ul> |
| <b>Not spinning</b>              | Drain hose is kinked or improperly connected                      | <ul style="list-style-type: none"> <li>Straighten drain hose and make sure washer is not sitting on it.</li> </ul>   |
|                                  | Household drain may be clogged                                    | <ul style="list-style-type: none"> <li>Check household plumbing. You may need to call a plumber.</li> </ul>  |
|                                  | Drain hose siphoning; drain hose pushed too far down in the drain | <ul style="list-style-type: none"> <li>Ensure there is an air gap between hose and drain.</li> </ul>   |
|                                  | Washer pump filter may be clogged                                 | <ul style="list-style-type: none"> <li>Clean Pump Filter – Open the pump access door (use a coin) and remove the pump filter by turning it counterclockwise and pulling out. Clean the filter, removing all loose debris, and put filter back in place.</li> </ul> |
|                                  | Load is out of balance  | <ul style="list-style-type: none"> <li>Redistribute clothes and run Drain &amp; Spin or Rinse &amp; Spin.</li> <li>Increase load size if washing small load containing heavy and light items.</li> </ul>   |
|                                  | Motor is overheated   | <ul style="list-style-type: none"> <li>Washer motor will stop if it becomes overheated. It will automatically restart after a cool-down period of up to 2 hours (if washer has not been manually turned off).</li> </ul>   |
|                                  | Door is open  | <ul style="list-style-type: none"> <li>Make sure door is closed.</li> </ul>  |

## Before you call for service...

| Problem                                     | Possible Cause  | What To Do   |
|---|---|--|
| Incomplete cycle or timer not advancing     | Drain hose is kinked or improperly connected  | <ul style="list-style-type: none"> <li>• Straighten drain hose and make sure washer is not sitting on it.</li> </ul>   |
|   | Household drain may be clogged  | <ul style="list-style-type: none"> <li>• Check household plumbing. You may need to call a plumber.</li> </ul>  |
|   | Drain hose siphoning; drain hose pushed too far down in the drain   | <ul style="list-style-type: none"> <li>• Ensure there is an air gap between hose and drain.</li> </ul>   |
|   | Washer pump filter may be clogged   | <ul style="list-style-type: none"> <li>• Clean Pump Filter – Open the pump access door (use a coin) and remove the pump filter by turning it counterclockwise and pulling out. Clean the filter, removing all loose debris, and put filter back in place.</li> </ul>                           |
|   | Automatic load redistribution   | <ul style="list-style-type: none"> <li>• Timer stops at 1 minute; machine has redistributed the load once or twice. This is normal operation. Do nothing; the machine will finish the wash cycle.</li> </ul>   |
| Loud or unusual noise; vibration or shaking | Cabinet moving  | <ul style="list-style-type: none"> <li>• Washer is designed to move 1/4" to reduce forces transmitted to the floor. This movement is normal.</li> </ul>  |
|   | All rubber leveling legs are not firmly touching the floor  | <ul style="list-style-type: none"> <li>• Push and pull on the back right and then back left of your washer to check if it is level. If the washer is uneven, adjust the rubber leveling legs so they are all firmly touching the floor. Your installer should correct this problem.</li> </ul> |
|   | Unbalanced load   | <ul style="list-style-type: none"> <li>• Open door and manually redistribute load. To check machine, run rinse and spin with no load. If normal, unbalance was caused by load.</li> </ul>  |
|   | Shipping bolts not removed  | <ul style="list-style-type: none"> <li>• All five (5) shipping bolts should be removed before use.</li> </ul>  |
| Clothes too wet                             | Drain hose is kinked or improperly connected  | <ul style="list-style-type: none"> <li>• Straighten drain hose and make sure washer is not sitting on it.</li> </ul>   |
|   | Household drain may be clogged  | <ul style="list-style-type: none"> <li>• Check household plumbing. You may need to call a plumber.</li> </ul>  |
|   | Drain hose siphoning; drain hose pushed too far down the drain  | <ul style="list-style-type: none"> <li>• Ensure there is an air gap between hose and drain.</li> </ul>   |
|   | Washer pump filter may be clogged   | <ul style="list-style-type: none"> <li>• Clean Pump Filter – Open the pump access door (use a coin) and remove the pump filter by turning it counterclockwise and pulling out. Clean the filter, removing all loose debris, and put filter back in place.</li> </ul>                           |
|   | Load is out of balance  | <ul style="list-style-type: none"> <li>• Redistribute clothes and run Drain &amp; Spin or Rinse &amp; Spin.</li> <li>• Increase load size if washing small load containing heavy and light items.</li> </ul>   |
| No power/washer not working or dead         | Drain hose is kinked or improperly connected  | <ul style="list-style-type: none"> <li>• Straighten drain hose and make sure washer is not sitting on it.</li> </ul>   |
|   | Household drain may be clogged  | <ul style="list-style-type: none"> <li>• Check household plumbing. You may need to call a plumber.</li> </ul>  |
|   | Drain hose pushed too far down in the drain   | <ul style="list-style-type: none"> <li>• Ensure there is an air gap between hose and drain.</li> </ul>   |
|   | Washer pump filter may be clogged   | <ul style="list-style-type: none"> <li>• Clean Pump Filter – Open the pump access door (use a coin) and remove the pump filter by turning it counterclockwise and pulling out. Clean the filter, removing all loose debris, and put filter back in place.</li> </ul>                           |
|   | Washer is unplugged   | <ul style="list-style-type: none"> <li>• Make sure cord is plugged securely into a working outlet.</li> </ul>  |
|   | Water supply is turned off  | <ul style="list-style-type: none"> <li>• Turn both hot and cold faucets fully on.</li> </ul>   |
|   | Circuit breaker/fuse is tripped/blown   | <ul style="list-style-type: none"> <li>• Check house circuit breakers/fuses. Replace fuses or reset breaker. Washer should have separate outlet.</li> </ul>  |
|   | Controls are not set properly   | <ul style="list-style-type: none"> <li>• Hold <b>START/PAUSE</b> button to start cycle.</li> </ul>   |
| Automatic self-system checks                | <ul style="list-style-type: none"> <li>• First time the washer is plugged in, automatic checks occur. It may take up to 20 seconds before you can use your washer. This is normal operation.</li> </ul> |  |

| Problem                                      | Possible Cause   | What To Do  |
|--|--|---|
| Water does not enter washer or enters slowly | Automatic self-system checks   | <ul style="list-style-type: none"> <li>After <b>START</b> is pressed, the washer does several system checks. Water will flow several seconds after <b>START</b> is pressed.</li> </ul>  |
|  | Water valve screens are stopped up   | <ul style="list-style-type: none"> <li>Turn off the water source and remove the water connection hoses from the upper back of the washer. Use a brush or toothpick to clean the screens in the machine. Reconnect the hoses and turn the water back on.</li> </ul>  |
|  | Filter clogged or fill hose may be kinked  | <ul style="list-style-type: none"> <li>Make sure that the water valve filters (blue and orange screen must be free of solids) on the unit are not clogged. Turn off water and check filter by disconnecting hose at machine. Check that fill hoses are not kinked or clogged.</li> </ul>  |
|  | Energy efficiency  | <ul style="list-style-type: none"> <li>This is an energy-efficient washer. As a result, the temperature settings for this washer may be different than for a non-energy-efficient washer.</li> </ul>  |
|  | Insufficient water supply  | <ul style="list-style-type: none"> <li>Make sure that the water supply is turned on. Make sure that the water faucets are turned to their completely open position.</li> </ul>  |
|  | The washer door is open  | <ul style="list-style-type: none"> <li>The washer door must be closed for all washer cycle operations. If the door is opened during the washer operation, all functions will stop, including water filling.</li> </ul>  |
|  | Incorrect fill hose connection   | <ul style="list-style-type: none"> <li>Make sure that the fill hoses connect the hot water supply to the hot inlet on the washer and the cold water supply to the cold inlet on the washer (hot to hot, cold to cold).</li> </ul>   |
| Water fill optimization                      | <ul style="list-style-type: none"> <li>Water may not cover the top level of the clothes. This is normal for this high-efficiency washer. The water fill is optimized by the system for best wash performance.</li> </ul> |   |
| Snags, holes, tears, rips or excessive wear  | Pens, pencils, nails, screws or other objects left in pockets  | <ul style="list-style-type: none"> <li>Remove loose items from pockets.</li> </ul>  |
|  | Pins, snaps, hooks, sharp buttons, belt buckles, zippers and sharp objects left in pockets   | <ul style="list-style-type: none"> <li>Fasten snaps, hooks, buttons and zippers.</li> </ul>   |
| Wrinkling                                    | Improper sorting   | <ul style="list-style-type: none"> <li>Avoid mixing heavy items (like work clothes) with light items (like blouses).</li> </ul>   |
|  | Overloading  | <ul style="list-style-type: none"> <li>Load your washer so clothes have enough room to move freely.</li> </ul>  |
|  | Incorrect wash cycle   | <ul style="list-style-type: none"> <li>Match Cycle selection to the type of fabric you are washing (especially for easy-care loads).</li> </ul>   |
|  | Repeated washing in water that is too hot  | <ul style="list-style-type: none"> <li>Wash in warm or cold water.</li> </ul>   |
| Grayed or yellowed clothes                   | Not enough detergent   | <ul style="list-style-type: none"> <li>Use correct amount of detergent.</li> </ul>  |
|  | Not using HE (high-efficiency) detergent   | <ul style="list-style-type: none"> <li>Use HE detergent.</li> </ul>   |
|  | Hard water   | <ul style="list-style-type: none"> <li>Use hottest water safe for fabric.</li> <li>Use a water conditioner like Calgon brand or install a water softener.</li> </ul>  |
|  | Water is not hot enough  | <ul style="list-style-type: none"> <li>Make sure water heater is delivering water at 120°–140°F (48°–60°C).</li> </ul>  |
|  | Detergent is not dissolving  | <ul style="list-style-type: none"> <li>Try a liquid detergent.</li> </ul>   |
|  | Dye transfer   | <ul style="list-style-type: none"> <li>Sort clothes by color. If fabric label states <i>wash separately</i>, unstable dyes may be indicated.</li> </ul>   |
| Colored spots                                | Incorrect use of fabric softener   | <ul style="list-style-type: none"> <li>Check fabric softener package for instructions and follow directions for using dispenser.</li> </ul>   |
|  | Dye transfer   | <ul style="list-style-type: none"> <li>Sort whites or lightly colored items from dark colors.</li> <li>Promptly remove wash load from washer.</li> </ul>  |
| Water temperature is incorrect               | Water supply is improperly connected   | <ul style="list-style-type: none"> <li>Make sure hoses are connected to correct faucets.</li> </ul>   |
|  | House water heater is not set properly   | <ul style="list-style-type: none"> <li>Make sure house water heater is delivering water at 120°–140°F (48°–60°C).</li> </ul>  |
| Bad odor inside your washer                  | Washer unused for a long time or not using recommended quality of HE detergent   | <ul style="list-style-type: none"> <li>Leave the door slightly open for the water to air dry.</li> <li>Run a <b>Basket Clean</b> cycle (found in the <b>Washer</b> cycles menu) with 1 cup of bleach or other commercially available product manufactured for this use such as Tide® Washing Machine Cleaner. See <i>Care and Cleaning/General Maintenance</i> in the <i>Loading and using the washer</i> section.</li> </ul> |
| Slight variation in metallic color           | This is normal   | <ul style="list-style-type: none"> <li>Due to the metallic properties of paint used for this unique product, slight variations of color may occur due to viewing angles and lighting conditions.</li> </ul>   |

# GE Washer Warranty. *(For customers in the United States)*



All warranty service provided by our Factory Service Centers, or an authorized Customer Care® technician. To schedule service on-line, visit us at [GEAppliances.com](http://GEAppliances.com), or call 800.GE.CARES (800.432.2737). Please have serial number and model number available when calling for service.

Staple your receipt here. Proof of the original purchase date is needed to obtain service under the warranty.

**For The Period Of:**

**We Will Replace:**

**One Year**  
From the date of the original purchase

**Any part** of the washer which fails due to a defect in materials or workmanship. During this **limited one-year warranty**, GE will also provide, **free of charge**, all labor and related service costs to replace the defective part.

**What Is Not Covered (in the United States):**

- Service trips to your home to teach you how to use the product.
- Improper installation, delivery or maintenance.
- Failure of the product if it is abused, misused, or used for other than the intended purpose or used commercially.
- Damage after delivery.
- Replacement of house fuses or resetting of circuit breakers.
- Damage to the product caused by accident, fire, floods or acts of God.
- Incidental or consequential damage caused by possible defects with this appliance.
- Product not accessible to provide required service.

**EXCLUSION OF IMPLIED WARRANTIES—Your sole and exclusive remedy is product repair as provided in this Limited Warranty. Any implied warranties, including the implied warranties of merchantability or fitness for a particular purpose, are limited to one year or the shortest period allowed by law.**

*This warranty is extended to the original purchaser and any succeeding owner for products purchased for home use within the USA. If the product is located in an area where service by a GE Authorized Servicer is not available, you may be responsible for a trip charge or you may be required to bring the product to an Authorized GE Service location for service. In Alaska, the warranty excludes the cost of shipping or service calls to your home.*

*Some states do not allow the exclusion or limitation of incidental or consequential damages. This warranty gives you specific legal rights, and you may also have other rights which vary from state to state. To know what your legal rights are, consult your local or state consumer affairs office or your state's Attorney General.*

**Warrantor: General Electric Company. Louisville, KY 40225**

# GE Washer Warranty. (For customers in Canada)



All warranty service provided by our Factory Service Centres or an authorized technician. For service, call 1.800.561.3344. Please have serial number and model number available when calling for service.

Staple your receipt here.  
Proof of the original purchase date is needed to obtain service under the warranty.

## For The Period Of: We Will Replace:

**One Year**  
From the date of the original purchase

**Any part** of the washer which fails due to a defect in materials or workmanship. During this **limited one-year warranty**, Mabe will also provide, **free of charge**, all labour and related service costs to replace the defective part.

## What Is Not Covered (in Canada):

- Service trips to your home to teach you how to use the product.
- Replacement of house fuses or resetting of circuit breakers.
- Improper installation, delivery or maintenance.
- Damage to the product caused by accident, fire, floods or acts of God.
- Failure of the product if it is abused, misused, or used for other than the intended purpose or used commercially.
- Incidental or consequential damage caused by possible defects with this appliance.
- Damage after delivery.
- Product not accessible to provide required service.

**EXCLUSION OF IMPLIED WARRANTIES—Your sole and exclusive remedy is product repair as provided in this Limited Warranty. Any implied warranties, including the implied warranties of merchantability or fitness for a particular purpose, are limited to one year or the shortest period allowed by law.**

This warranty is extended to the original purchaser and any succeeding owner for products purchased in Canada for home use within Canada. In-home warranty service will be provided in areas where it is available and deemed reasonable by Mabe to provide.

Some states or provinces do not allow the exclusion or limitation of incidental or consequential damages, so the above exclusion may not apply to you. This warranty gives you specific legal rights, and you may also have other rights which vary from province to province. To know what your legal rights are in your province, consult your local or provincial consumer affairs office.

**Warrantor: Mabe Canada Inc.,  
Burlington, Ontario**



|                         |                             |                                  |                               |                            |
|-------------------------|-----------------------------|----------------------------------|-------------------------------|----------------------------|
| <b>Consumer Support</b> | <b>Troubleshooting Tips</b> | <b>Installation Instructions</b> | <b>Operating Instructions</b> | <b>Safety Instructions</b> |
|-------------------------|-----------------------------|----------------------------------|-------------------------------|----------------------------|

**Notes.**

---

**Mesures de sécurité** ..... 26, 27

### **Fonctionnement**

Caractéristiques ..... 32

Chargement et utilisation

de la laveuse ..... 33–36

Panneau de contrôle ..... 28

Réglage des contrôles ..... 29–31

**Installation** ..... 37–42

Déballage de votre laveuse ..... 39

Dimensions ..... 38

Emplacement de votre laveuse ..... 38

Exigences d'alimentation d'eau ..... 40

Exigences de mise à la terre ..... 40

Exigences de vidange ..... 40

Exigences électriques ..... 40

Installation de la laveuse ..... 41, 42

Pièces de rechange ..... 42

Préparation à l'installation de

votre laveuse ..... 37

**Conseils de dépannage** ..... 43–46

### **Soutien au consommateur**

Garantie (Canada) ..... 47

Soutien au consommateur ..... 48



En qualité de partenaire ENERGY STAR®, GE a trouvé que ce produit rencontre les directives d'ENERGY STAR® en matière d'efficacité énergétique.

**Inscrivez ici les numéros de modèle et de série :**

**Modèle #** \_\_\_\_\_

**Série #** \_\_\_\_\_

Vous les trouverez sur une étiquette placée à l'intérieur de la porte.

Mesures de sécurité

Fonctionnement

Installation

Conseils de dépannage

Soutien au consommateur

# RENSEIGNEMENTS IMPORTANTS EN MATIÈRE DE SÉCURITÉ. LISEZ TOUTES LES INSTRUCTIONS AVANT D'UTILISER VOTRE LAVEUSE.

## ⚠ AVERTISSEMENT!

Pour votre sécurité, vous devez suivre les instructions contenues dans ce manuel, pour réduire le danger d'incendie ou d'explosion, de secousse électrique et pour empêcher les dommages matériels, les blessures corporelles ou les pertes de vie humaine.

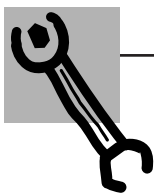
Les instructions contenues dans ce manuel et dans tous les autres documents qui accompagnent la laveuse ne couvrent pas toutes les situations ou conditions possibles qui peuvent se produire. Vous **devez** faire preuve de prudence et utiliser des méthodes sécuritaires pour installer, faire fonctionner et entretenir tout appareil électroménager.



## SÉCURITÉ DU CHAUFFE-EAU

Dans certaines conditions, un chauffe-eau peut produire de l'hydrogène gazeux si on ne l'a pas utilisé pendant plus de deux semaines. Dans ces conditions, l'hydrogène gazeux peut exploser.

Si vous n'avez pas utilisé le chauffe-eau pendant deux semaines ou plus, empêchez tout dommage ou blessure possible en ouvrant tous les robinets d'eau chaude et en les laissant couler pendant plusieurs minutes. Faites cela avant d'utiliser tout appareil électroménager branché au système d'eau chaude. Cette procédure simple permet à toute accumulation d'hydrogène gazeux de s'échapper. Comme ce gaz est inflammable, ne fumez jamais ou n'utilisez jamais de flamme vive ou d'appareil électroménager pendant cette procédure.



## BONNE INSTALLATION

Vous devez bien installer et placer cette laveuse, conformément aux instructions d'installation, avant de l'utiliser.

- Installez ou placez votre laveuse dans un endroit où elle n'est pas exposée à des températures inférieures à zéro degré centigrade ou à du mauvais temps. Cela risque de causer des dommages permanents et d'annuler la garantie.
- Mettez bien à la terre la laveuse, conformément à tous les codes et les ordonnances en vigueur. Suivez tous les détails des instructions d'installation.



## VOTRE AIRE DE LESSIVE

- Ne conservez aucun matériau combustible, comme de la charpie, du papier, des chiffons ou des produits chimiques, en dessous ou à proximité de votre laveuse.
- Ne laissez jamais la porte de la laveuse ouverte. Une porte ouverte est, pour des enfants, une invitation à se pendre à la porte ou à se cacher dans la laveuse.
- Vous devez surveiller constamment votre laveuse si vous l'utilisez à proximité d'enfants ou si des enfants l'utilisent. Ne permettez jamais à des enfants de jouer avec, ou dans cet appareil, ou avec tout autre appareil électroménager.
- Gardez tous les produits de lavage (tels que les détersifs, les javellisants, etc.) hors de la portée des enfants, préférablement dans une armoire sous verrou. Observez toutes les mises en garde figurant sur les étiquettes du contenant afin de prévenir les dommages corporels.
- Abstenez-vous de grimper ou de vous tenir debout sur le dessus de la laveuse.



## QUAND VOUS UTILISEZ VOTRE LAVEUSE

N'utilisez votre laveuse qu'aux fins prévues décrites dans ce manuel du propriétaire.

- N'essayez jamais d'ouvrir votre laveuse quand elle fonctionne. Attendez que la machine soit complètement arrêtée pour ouvrir la porte.
- Ne mélangez jamais d'eau de javel au chlore avec de l'ammoniaque ou des acides comme du vinaigre et/ou de l'antirouille. Le mélange de différents produits chimiques peut produire des gaz toxiques qui peuvent causer la mort.
- Ne lavez jamais ou ne faites jamais sécher des articles qui ont été nettoyés, lavés, trempés ou mouillés dans des substances combustibles ou explosives (comme la cire, l'huile, la peinture, l'essence, les substances dégraissantes, les solvants de nettoyage à sec, le pétrole, etc.) qui peuvent brûler ou exploser. N'ajoutez jamais ces substances à l'eau de lavage. N'utilisez jamais ou ne placez jamais ces substances à proximité de votre laveuse ou de votre sècheuse pendant leur fonctionnement.
- La procédure de lessivage peut réduire la résistance aux flammes des tissus. Pour éviter cela, suivez soigneusement les instructions de lavage et de soins du fabricant de vêtements.
- Pour réduire le risque de secousse électrique, débranchez votre laveuse de sa prise murale ou débranchez la laveuse au niveau du panneau de distribution de l'immeuble en enlevant le fusible ou en faisant basculer le disjoncteur, avant d'entreprendre tout entretien ou nettoyage.  
**NOTE :** Vous **ne** débranchez **pas** votre appareil de son alimentation électrique en appuyant sur le bouton POWER (alimentation).
- N'essayez jamais de faire fonctionner votre laveuse si elle est endommagée, si elle ne fonctionne pas bien, si elle est partiellement démontée ou si elle a des pièces manquantes ou cassées, en particulier sa fiche ou son cordon d'alimentation endommagé.
- Ne faites jamais claquer la porte pour la fermer. N'essayez jamais de forcer sur la porte pour l'ouvrir quand elle est verrouillée (le voyant LOCKED [verrouillée] est allumé). Vous risquez d'endommager votre laveuse.
- La laveuse est équipée d'un système de détection de dépassement de température. Le moteur s'arrêtera s'il surchauffe. La laveuse éteindra le moteur pendant 2 minutes pour le refroidir. Si le moteur est encore trop chaud au bout de 2 minutes, la laveuse répétera le processus de refroidissement 3 fois au total. Si le moteur s'avère encore trop chaud après 3 refroidissements, la laveuse se mettra en pause jusqu'à ce qu'elle soit redémarrée manuellement.



## QUAND VOUS NE L'UTILISEZ PAS

- Fermez les robinets d'eau pour réduire la pression sur les tuyaux et les robinets et pour réduire la fuite s'il se produit une cassure ou une rupture. Vérifiez l'état des tuyaux d'alimentation; vous devez les remplacer tous les 5 ans.
- Avant de jeter une laveuse ou de la mettre hors-service, enlevez sa porte pour empêcher les enfants de se cacher dedans.
- N'essayez jamais de réparer ou de remplacer une pièce de votre laveuse, à moins que ce ne soit spécifiquement recommandé dans ce Manuel du propriétaire ou dans des instructions de réparations par l'utilisateur publiées, que vous comprenez et pour lesquelles vous possédez les compétences nécessaires.
- Ne faussez jamais les contrôles.



LISEZ ET SUIVEZ SOIGNEUSEMENT CES RENSEIGNEMENTS EN MATIÈRE DE SÉCURITÉ.

**CONSERVEZ CES INSTRUCTIONS**

## Le panneau de contrôle de votre laveuse.

Vous pouvez lire le numéro de modèle sur l'étiquette à l'intérieur de la porte.

**⚠ AVERTISSEMENT!** Pour réduire le risque d'incendie, d'électrocution ou de blessure corporelle, veuillez lire les **CONSIGNES DE SÉCURITÉ IMPORTANTES** avant de mettre cet appareil en service.

### Démarrage rapide

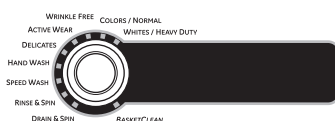
Si l'écran est obscur, appuyez sur le bouton **POWER** (alimentation) pour activer l'afficheur.

- 1 Appuyez sur le bouton **POWER** (alimentation).

POWER

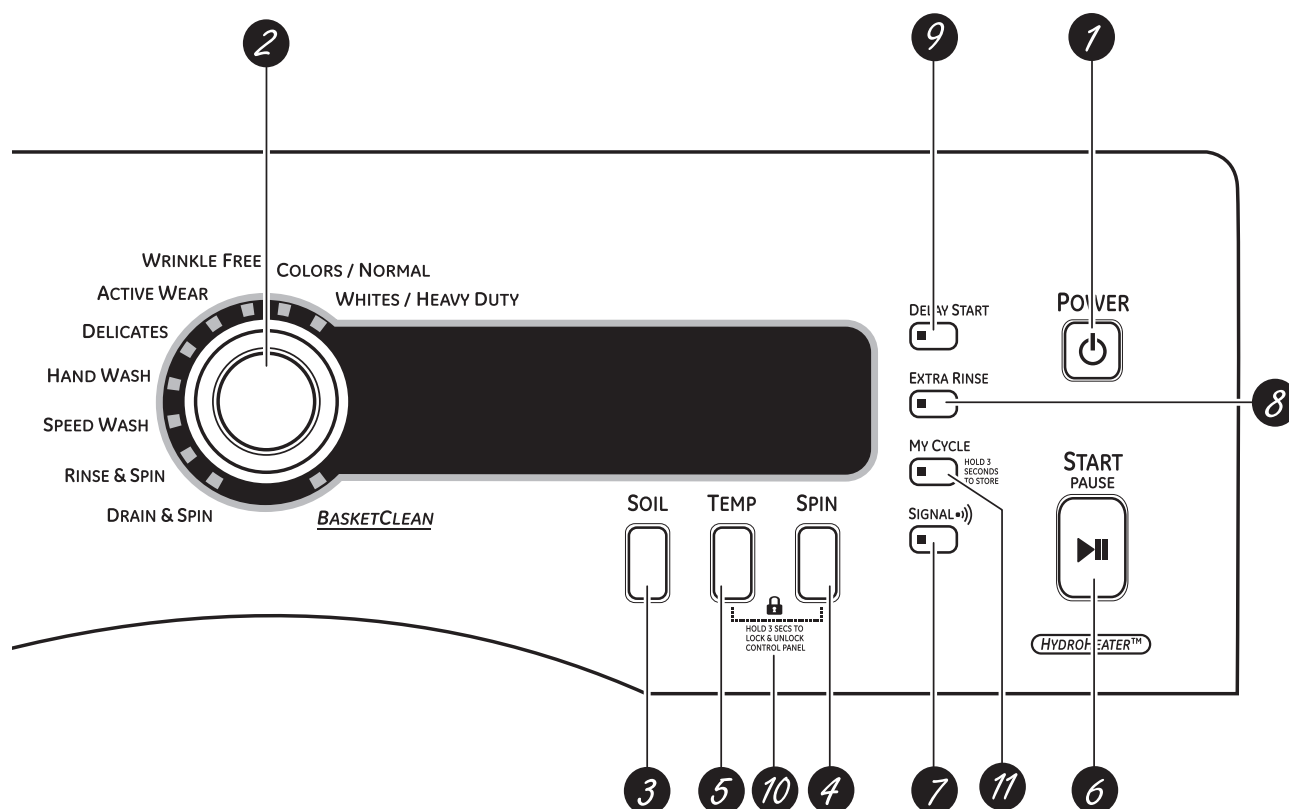


- 2 Sélectionnez le cycle de lavage. (Des réglages par défaut sont établis pour chaque cycle de lavage. Ces réglages peuvent être changés. Consultez la section *Réglage des contrôles* pour de plus amples renseignements.)



- 3 Si vous avez choisi un cycle de lavage, appuyez sur le bouton **START/PAUSE** (Départ/Pause).

START  
PAUSE



### 1 Power (alimentation)

Appuyez pour activer l'affichage. Si l'affichage est actif, appuyez pour mettre la laveuse en mode d'attente.

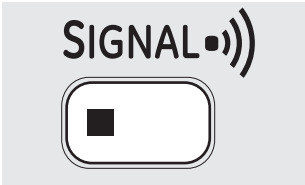
**NOTE :** Vous ne débranchez pas votre appareil de l'alimentation électrique en appuyant sur **POWER** (alimentation).

## 2 Cycles de lavage

Les cycles sont optimisés pour des catégories particulières de charges de lavage. Le tableau ci-dessous vous aidera à trouver un réglage de lavage qui correspond à votre charge de lavage. Les pales élévatrices Gentle Wash™ font délicatement culbuter les vêtements dans la solution d'eau et de détergent pour les laver.

|   |   |
|---|---|
| <b>WHITES/HEAVY DUTY<br/>(BLANCS/INTENSIF)</b>                                  | Pour les cotonnades blanches, le linge de maison, les vêtements de travail et de jeux très à légèrement sales.  |
| <b>COLORS/NORMAL<br/>(COULEURS/NORMAL)</b>                                      | Pour les cotonnades de couleur, le linge de maison, les vêtements de travail et de jeu très à légèrement sales.   |
| <b>WRINKLE FREE (PERMA PRESS)<br/>(TISSUS INFROISSABLES<br/>(PRESS. PERM.))</b> | Pour articles à entretien facile et à pressage permanent.   |
| <b>ACTIVE WEAR<br/>(VÊTEMENTS SPORT)</b>  | Pour les vêtements de sports, d'exercices et certains vêtements sports. Leurs tissus comprennent des fibres et des finitions modernes comme le spandex, les microfibres et les fibres élastiques.   |
| <b>HANDWASH<br/>(LAVAGE À MAIN)</b>   | Pour les articles étiquetés lavage à la main peu sales. La laveuse remue gentiment pour imiter le lavage à la main.   |
| <b>DELICATES<br/>(DELICATE)</b>   | Pour les tissus délicats peu ou normalement sales. La laveuse trempe et remue doucement pendant le lavage et rinçage.   |
| <b>SPEED WASH<br/>(LAVAGE RAPIDE)</b>   | Pour articles légèrement sales qu'il faut laver en vitesse. La durée du cycle est d'environ 30 minutes, selon les options choisies.   |
| <b>RINSE &amp; SPIN<br/>(RINÇAGE ET ESSORAGE)</b>                               | Pour rincer rapidement les articles n'importe quand.  |
| <b>DRAIN &amp; SPIN<br/>(DRAINAGE ET ESSORAGE)</b>                              | Vide et essore en même temps.   |
| <b>BASKET CLEAN<br/>(NETTOYAGE DU TAMBOUR)</b>                                  | Pour nettoyer le tambour de la laveuse et réduire les odeurs.<br><b>NOTE:</b> Basket Clean (Nettoyage du tambour) est un cycle spécial utilisé pour nettoyer le tambour de la laveuse et réduire les odeurs. N'AJOUTEZ PAS de vêtements durant ce cycle. Retirez le godet à détergent et ajoutez une tasse de javellisant ou d'un autre produit commercialisé à cette fin, par exemple Tide® Washing Machine Cleaner. |

## Réglage des contrôles.

- 3** **Soil Level (Niveau de saleté)**  
En changeant le niveau de saleté, vous augmentez ou diminuez la durée de lavage pour enlever divers montants de saleté. Pour changer le niveau de saleté, appuyez sur le bouton **SOIL** (niveau de saleté) jusqu'au réglage désiré. Vous pouvez choisir entre Extra Light (très peu sale), Light (peu sale), Normal (normal) ou Heavy Soil (très sale).
- 4** **Spin Speed (Vitesse d'essorage)**  
En changeant le réglage d'essorage, vous changez la vitesse de l'essorage final des cycles. Suivez toujours les instructions de l'étiquette du vêtement pour changer le réglage d'essorage.  
Pour changer le réglage d'essorage, appuyez sur le bouton **SPIN** (réglage d'essorage) jusqu'au réglage désiré. Vous pouvez choisir entre No Spin (pas d'essorage), Low (lent), Medium (modéré), High (rapide) ou Extra High (très rapide). Les vitesses d'essorage les plus rapides ne sont pas offertes pour certains cycles, comme le cycle délicats.  
Les vitesses d'essorage plus rapides enlèvent plus d'eau des vêtements, et aident à réduire le temps de séchage, mais augmentent également la possibilité de froisser certains tissus.
- 5** **Wash Temp (Température de lavage)**  
Ajustez pour choisir la bonne température de l'eau pour le cycle de lavage. L'eau de prélavage et de rinçage est toujours froide pour réduire l'utilisation d'énergie et diminuer la fixation des taches et les froissements.  
Suivez l'étiquette du fabricant pour choisir la température de lavage.  
Pour changer la température de lavage, appuyez sur le bouton **TEMP** (température de lavage) jusqu'au réglage désiré. Vous pouvez choisir entre Tap Cold (froide du robinet), Cold (froide), Warm (tiède), Hot (chaude) ou Sanitize (assainissement). La température de lavage aseptisé n'est pas offerte pour certains cycles, comme le cycle délicats.  
En choisissant la température de lavage Sanitize (assainissement), la machine à laver augmente la température de l'eau pour désinfecter et tuer plus de 99 % de nombreuses bactéries courantes que l'on retrouve dans le lavage résidentiel. La température de lavage assainissement n'est disponible que pour le cycle de Whites/Heavy Duty (blancs/lavage intense). Pour de meilleurs résultats, choisissez le réglage de lavage très sale en utilisant le réglage de température de lavage Sanitize (assainissement).  
**NOTE :** Pendant les dix premières secondes du remplissage, l'eau est toujours froide. Cela aide à conditionner les tissus et empêche la fixation des taches sur les vêtements.
- 6** **Start/Pause (Départ/pause)**  
Appuyez pour mettre en marche un cycle de lavage. Si la laveuse fonctionne, vous l'arrêtez en appuyant une fois et déverrouillez la porte. Cette fonction peut être utilisée pour ajouter des vêtements durant un cycle. Appuyez à nouveau pour remettre en marche le cycle de lavage.  
**NOTE :** En arrêtant la laveuse et en ne remettant pas en marche le cycle dans les 15 minutes qui suivent, vous annulez le cycle de lavage actuel.  
**NOTE :** Dans certains cycles, la laveuse évacuera l'eau d'abord, puis déverrouillera la porte à la pause.  
**NOTE :** La laveuse procède à des vérifications automatiques du système une fois que vous avez appuyé sur le bouton **START/PAUSE**. L'eau se mettra à couler dans un délai de 45 secondes ou moins. Vous entendrez peut-être la porte se verrouiller et se déverrouiller avant que l'eau ne coule; ceci est normal.
- 7** **Signal (Sonnerie)**  
 Lorsque le voyant est à On (marche), la sonnerie émettra un bip à la fin du cycle et à chaque fois que vous appuierez sur un bouton sur le panneau de commande.  
Pour éteindre la sonnerie, appuyez sur le bouton de sonnerie et le voyant s'éteindra.

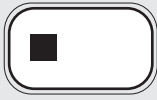
8

**EXTRA RINSE****Extra Rinse (Rinçage extra)**

Utilisez un rinçage supplémentaire quand il faut davantage rincer pour enlever la saleté et le détergent supplémentaires mis pour du linge vraiment sale.

**NOTE :** Pour certains cycles spéciaux, le rinçage extra est présélectionné par défaut. Vous pouvez modifier cette sélection en tout temps. Certains cycles exécutent un rinçage extra automatiquement.

9

**DELAY START****Delay Start (Mise en marche retardée)**

Pour différer le démarrage de votre laveuse.

1. Choisissez votre cycle de lavage et toute option.
2. Appuyez sur le bouton **DELAY START** (mise en marche retardée). Vous pouvez changer la durée du délai par incréments de 1 heure (jusqu'à 18 heures) à chaque pression du bouton **DELAY START** (mise en marche retardée). Relâchez le bouton lorsque la durée voulue est affichée.
3. Appuyez sur le bouton **START/PAUSE** (départ/pause) pour lancer le décompte.

Le décompte apparaîtra dans l'affichage **ESTIMATED TIME REMAINING** (estimation du temps restant).

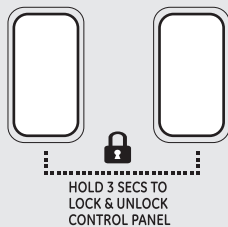
**NOTES :**

■ Si la porte est ouverte pendant que la laveuse est à **DELAY** (mise en marche retardée), le compte à rebours va se poursuivre. Si la porte n'est pas fermée et que le compte à rebours expire, le cycle ne redémarrera que si la porte est fermée et que le bouton **START/PAUSE** (mise en marche/pause) est enfoncé.

■ Vous pouvez retarder la mise en marche d'un cycle de lavage jusqu'à 18 heures.

Le voyant sur le bouton s'allume lorsque **DELAY START** (mise en marche retardée) est activé.

10

**TEMP SPIN****Lock (Verrouillage)**

Vous pouvez verrouiller les contrôles pour empêcher tout choix de cycle, ou vous pouvez verrouiller les contrôles après avoir commencé un cycle.

*Les enfants ne peuvent pas mettre accidentellement en marche la laveuse en appuyant sur des touches quand vous choisissez cette option.*

Pour verrouiller les contrôles de la laveuse, maintenez enfoncés les boutons **TEMP** (température) et **SPIN** (essorage) simultanément pendant 3 secondes.

Pour déverrouiller les contrôles de la laveuse, maintenez enfoncés les boutons **TEMP** (température) et **SPIN** (essorage) simultanément pendant 3 secondes. Un son retentit pour indiquer l'état verrouillé/déverrouillé.

L'icône de contrôle de verrouillage de l'affichage s'allume quand il est branché.

**NOTE :** Vous pouvez encore utiliser le bouton **POWER** (alimentation) quand la machine est verrouillée.

11

**MY CYCLE****My Cycle (Favori)**

Pour sauvegarder un cycle favori, choisissez le réglage désiré pour le cycle de lavage, le degré de souillure, la vitesse d'essorage et la température de l'eau et appuyez sur le bouton **MY CYCLE** (Favori) pendant 3 secondes. Un signal sonore se fait entendre pour indiquer que le cycle est sauvegardé.

Pour utiliser votre cycle personnalisé, appuyez sur le bouton **MY CYCLE** avant de laver une charge.

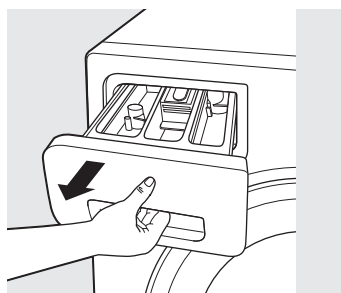
Pour changer le cycle sauvegardé, choisissez le réglage désiré et appuyez sur le bouton **MY CYCLE** pendant 3 secondes.

**NOTE :** Quand vous utilisez **MY CYCLE**, vous ne pouvez pas modifier les options de lavage une fois que le cycle a commencé.

**NOTE :** Si vous changez les options de lavage avec **MY CYCLE** avant le début du cycle, le voyant **MY CYCLE** s'éteindra et vous reviendrez au cycle de base.



## Les caractéristiques de votre laveuse.



### Le tiroir distributeur

Ouvrez lentement le tiroir distributeur en le tirant jusqu'à son arrêt final.

Après avoir ajouté vos produits de lavage, fermez lentement le tiroir distributeur. Si vous fermez le tiroir trop vite, vous risquez de distribuer l'eau de Javel, l'adoucissant ou le détergent trop tôt.

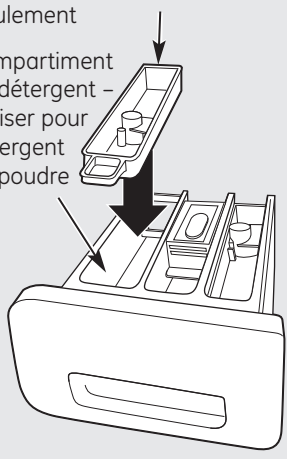
Vous pouvez voir de l'eau dans les compartiments d'eau de Javel et d'adoucissant à la fin du cycle. C'est occasionné par l'action de vidange/siphonnage et cela fait partie du fonctionnement normal de la laveuse.

Utilisez seulement le détergent à haute efficacité HE.



Compartiment de détergent – Utiliser pour détergent liquide seulement

Compartiment de détergent – Utiliser pour détergent en poudre



### Le compartiment de détergent

■ Mettez seulement du détergent à haute efficacité dans la laveuse. Mesurez la quantité recommandée par le fabricant du détergent. NE PAS remplir au-dessus de la ligne MAX.

Le compartiment de détergent est du côté gauche du tiroir distributeur. La cavité à détergent (godet retiré) est utilisée pour le détergent en poudre et le godet à détergent pour le détergent liquide.

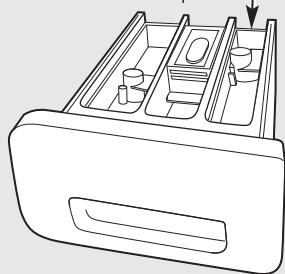
- **Détergent en poudre** – Sortez le godet à détergent liquide et versez la quantité de détergent en poudre suggérée dans la cavité à détergent.
- **Détergent liquide** – Laissez le godet à détergent dans le tiroir et versez le détergent liquide dans le godet. Ne remplissez pas au-dessus de la ligne MAX.

■ Ajoutez le détergent mesuré à l'avant gauche du compartiment de détergent du tiroir distributeur.


■ Le détergent est évacué du distributeur au début du cycle de lavage. On peut utiliser du détergent en poudre ou du détergent liquide haute efficacité.

■ Vous devez peut-être ajuster l'utilisation du détergent à la température de l'eau, à la dureté de l'eau, à la taille et au niveau de saleté de la charge. Évitez d'utiliser trop de détergent dans votre laveuse car cela peut provoquer des traces de détergent et de mousse sur les vêtements.

Compartiment d'eau de Javel Liquide



### Le compartiment d'eau de Javel liquide

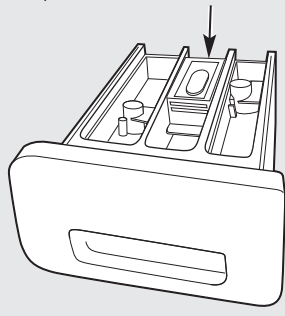
Si vous le désirez, mesurez le montant recommandé d'eau de Javel, ne dépassant pas 1/3 de tasse (80 ml) et versez-le dans le compartiment central étiqueté LIQUID BLEACH (eau de Javel) et portant le symbole .

Il est recommandé d'employer un javellisant à haute efficacité (HE) pour cette laveuse à chargement frontal.

Ne dépassez jamais la ligne de remplissage maximum. Si vous mettez trop d'eau de Javel, cela risque de provoquer une distribution prématurée de l'eau de Javel, qui peut occasionner des dommages à vos vêtements.

**NOTE :** N'utilisez jamais de poudre à blanchir dans le distributeur.

Compartiment d'adoucissant



### Le compartiment d'adoucissant

Si vous le désirez, versez le montant recommandé d'adoucissant liquide dans le compartiment étiqueté FABRIC SOFTENER (adoucissant).

N'utilisez que de l'adoucissant liquide dans le distributeur.

Diluez avec de l'eau jusqu'à la ligne maximum de remplissage.

Ne dépassez jamais la ligne maximum de remplissage. Si vous mettez trop d'adoucissant, cela risque de provoquer une distribution prématurée d'adoucissant, qui peut tacher vos vêtements.

**NOTE :** Ne mettez jamais d'adoucissant directement dans la charge à laver.

## Tri des charges de lavage

| Couleurs | Saleté   | Tissus             | Charpie                |
|----------|----------|--------------------|------------------------|
| Blancs   | Beaucoup | Délicat            | Producteurs de charpie |
| Clairs   | Normal   | Soins faciles      | Collecteurs de charpie |
| Foncés   | Peu      | Cotonnades solides |                        |

- Regroupez les grands et des petits articles dans une même charge. Chargez les grands articles d'abord. Les grands articles ne doivent pas représenter plus de la moitié de la totalité de la charge de lavage.
- Nous vous recommandons de ne pas laver un article seul. Cela peut occasionner un déséquilibre de charge. Ajoutez un ou deux articles semblables.
- Vous ne devez pas mélanger les oreillers et les édredons aux autres articles. Cela peut occasionner une charge mal équilibrée.
- Séparez les couleurs foncées des pâles pour prévenir le transfert de colorant. Comme il s'agit d'une laveuse à haute efficacité qui consomme moins d'eau, le transfert de colorant est plus fréquent.



## Chargement de la laveuse

Vous pouvez charger complètement le tambour de lavage en ajoutant les articles lachement. **Ne lavez jamais de vêtements qui contiennent des matériaux inflammables (cires, liquides de nettoyage, etc.).**

Pour ajouter des articles après avoir mis en marche la laveuse, appuyez sur **START/PAUSE** (mise en marche/pause) et attendez que la porte soit déverrouillée.

La laveuse peut prendre jusqu'à 30 secondes pour déverrouiller sa porte après que vous ayez appuyé sur **START/PAUSE**, selon les conditions. N'essayez pas de forcer la porte pour l'ouvrir quand elle est verrouillée. Quand la porte est déverrouillée, ouvrez doucement. Ajoutez les articles, refermez la porte et appuyez sur **START/PAUSE** pour remettre en marche.

## Chargement et utilisation de la laveuse.



### Soins et nettoyage/Entretien général

**Extérieur :** Essuyez immédiatement tout débordement. Essuyez avec un linge humide. Essuyez ou époussetez les renversements ou les produits de lavage avec un linge humide. Le panneau de commande et le fini de la laveuse peuvent être endommagés par certains détachants et produits de prétraitement. Appliquez ces produits à l'écart de la laveuse. Le tissu peut ensuite être lavé et séché normalement. Les dommages à votre laveuse causés par ces produits ne sont pas couverts par votre garantie. Ne frappez jamais la surface avec des objets aiguisés.

**Intérieur :** Séchez autour de l'ouverture de la porte de la laveuse, du joint flexible (y compris les tuyaux) et de la porte en verre. Ces surfaces doivent être toujours propres pour assurer que le joint soit bien imperméable.

Il est recommandé de rincer la laveuse une fois par mois au minimum, à l'aide d'une tasse (250 ml) de javellisant (ou un autre produit commercialisé à cette fin, tel que Tide® Washing Machine Cleaner) versé dans la section pré-lavage du distributeur (aucun vêtement), au cycle **BASKET CLEAN** (Nettoyage du panier) (menu **SPECIALTY CYCLES** [cycles particuliers]).

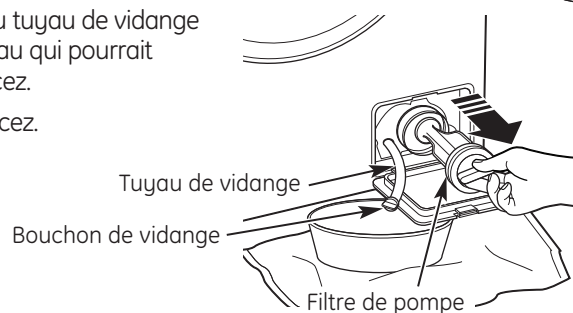
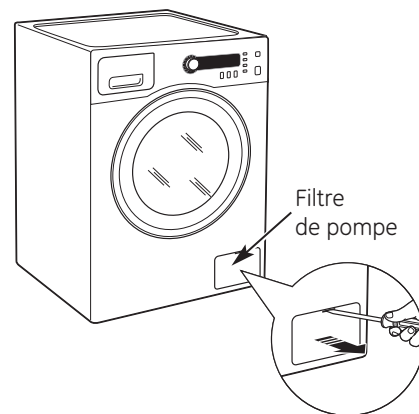
**Déménagement et rangement :** Demandez au technicien de service d'enlever l'eau de la pompe et des tuyaux de vidange. Ne rangez jamais la laveuse dans un endroit où elle est exposée au mauvais temps. Quand vous déménagez la laveuse, vous devez immobiliser le bassin de lavage en utilisant les boulons d'expédition enlevés pendant l'installation. Consultez les Instructions d'installation dans ce manuel. Si vous n'avez pas ces pièces, vous pouvez les commander en visitant notre site web à l'adresse [www.electromenagersge.ca](http://www.electromenagersge.ca) ou en appelant le numéro de téléphone 800.561.3344.

**Longues vacances :** Assurez-vous de fermer tous les robinets d'alimentation de l'eau. Vidangez toute l'eau des tuyaux si la température risque de descendre en dessous de celle de gel.

#### Nettoyage du filtre de pompe

Étant donné la nature d'une laveuse à chargement frontal, de petits articles sont susceptibles d'être aspirés par la pompe. La laveuse est équipée d'un filtre qui retient les articles perdus lorsqu'ils sont évacués vers le drain. Pour récupérer les articles perdus, nettoyez le filtre de pompe.

1. À l'aide d'un couteau ou d'un tournevis à lame plate, ouvrez en l'écartant la porte dans la partie inférieure droite de l'avant de l'appareil.
2. Tournez le petit capuchon blanc d'un quart de tour dans le sens antihoraire et décrochez le petit tuyau en caoutchouc. Sortez le tuyau du trou et retirez le bouchon blanc du tuyau de vidange au-dessus d'un petit bac pour récupérer l'eau qui pourrait s'évacuer. Vidangez le surplus d'eau. Remplacez.
3. Dévissez le filtre de la pompe. Rincez. Remplacez.
4. Fermez la porte d'accès.

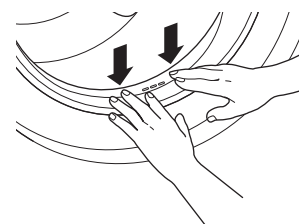


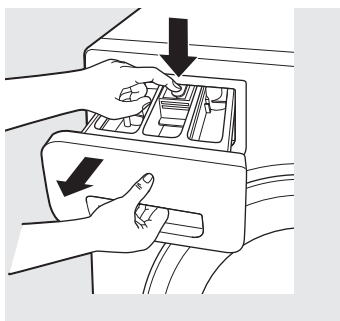
#### Nettoyage du joint d'étanchéité de la porte

Ouvrez la porte de la laveuse. Avec les deux mains, poussez le joint d'étanchéité vers le bas. Enlevez tout objet étranger qui pourrait se trouver dans le joint. Assurez-vous que rien ne bloque les orifices derrière le joint.

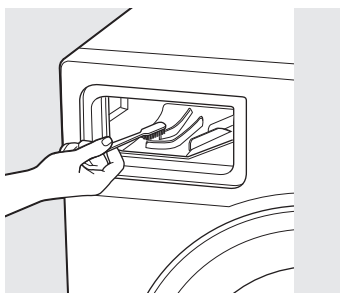
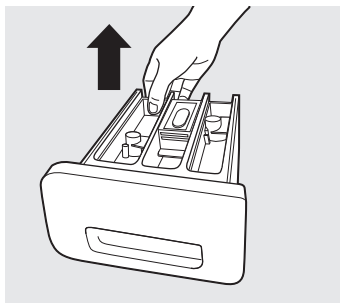
Tout en maintenant le joint en position basse, inspectez-en l'intérieur en tirant vers le bas avec les doigts. Enlevez tout objet étranger qui pourrait se trouver dans le joint. Assurez-vous que rien ne bloque les orifices derrière le joint.

Une fois le nettoyage terminé, retirez vos mains et les joints retourneront à ses positions normales.





Le taquet du verrou n'est visible que quand le tiroir est complètement tiré



**Emplacement du tiroir distributeur :** Le détergent et l'adoucisseur peuvent s'amasser dans le tiroir distributeur. Il faut enlever ces résidus une ou deux fois par mois.

- Enlevez le tiroir en le tirant d'abord jusqu'à ce qu'il s'arrête. Puis atteignez le centre arrière de la cavité du tiroir et appuyez fermement sur la patte de verrouillage, en tirant le tiroir.

- Retirez toutes les tasses et les insertions du tiroir distributeur. Rincez à l'eau chaude les insertions, les tasses et le tiroir pour faire disparaître les traces de produits de lavage qui se sont accumulées.

- Pour nettoyer l'ouverture du tiroir, utilisez une petite brosse pour l'intérieur. Enlevez tout résidu en haut et en bas de l'intérieur.

- Remettez les insertions dans leur bon compartiment. Remettez en place le tiroir de distribution.

- Pour réduire l'accumulation dans le tiroir de distribution :

**Utilisez seulement un détergent à haute efficacité HE.**



## Chargement et utilisation de la laveuse.



### Étiquettes de tissus

Les symboles suivants de tissus se trouvent sur les vêtements que vous allez laver.

#### ÉTIQUETTES DE LAVAGE

|                                     |                        |   |                       |                     |                               |                |
|-------------------------------------|------------------------|---|-----------------------|---------------------|-------------------------------|----------------|
| <i>Cycle de lavage à la machine</i> |                        |   |                       |                     |                               |                |
|                                     | Normal                 | Tissus sans repassage/<br>résistants aux plis | Doux/<br>délicat      | Lavage à<br>la main | Ne pas laver                  | Ne pas essorer |
| <i>Température de l'eau</i>         |                        |   |                       |                     |                               |                |
|                                     | Chaude<br>(50°C/120°F) |   | Tiède<br>(40°C/105°F) |                     | Froide/fraîche<br>(30°C/85°F) |                |

#### ÉTIQUETTES D'EAU DE JAVEL

|                                |   |  |                                   |
|--------------------------------|---|--|-----------------------------------|
| <i>Symboles d'eau de Javel</i> |   |  |                                   |
|                                | Toutes les eaux de Javel<br>(si nécessaire) | Eaux de Javel sans chlore<br>(si nécessaire) | Ne pas utiliser<br>d'eau de Javel |

#### ÉTIQUETTES DE DÉTERGENT

|  |   |
|--|---|
|  | Utilisez seulement un détersif à haute efficacité HE. |
|--|---|

# Instructions d'installation

# Laveuse

Modèles  
WCVH4800, WCVH4815

Des questions? Appelez le 1.800.561.3344 ou Visitez notre site Web à l'adresse : [www.electromenagersge.ca](http://www.electromenagersge.ca)

## AVANT DE COMMENCER

Lisez ces instructions entièrement et soigneusement.

- **IMPORTANT** – Conservez ces instructions pour l'inspecteur local.
- **IMPORTANT** – Observez tous les codes et les ordonnances en vigueur.
- **Note à l'installateur** – Assurez-vous de laisser ces instructions au consommateur.
- **Note au consommateur** – Conservez ces instructions à titre de référence.
- **Niveau de compétences** – L'installation de cet appareil électroménager nécessite des compétences mécaniques et électriques de base.
- **Temps d'installation** – 1-3 heures
- L'installateur est responsable de bien installer cet appareil.
- Toute panne de produit due à une mauvaise installation n'est pas couverte par la garantie.

## POUR VOTRE SÉCURITÉ :

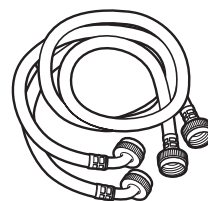
### ⚠ AVERTISSEMENT

- Cet appareil électroménager doit être bien mis à la terre et installé conformément à ces *Instructions d'installation*.
- N'installez jamais ou ne rangez jamais votre appareil dans un endroit où il est exposé à l'eau ou aux intempéries. Consultez la section *Emplacement de votre laveuse*.
- **NOTE** : Cet appareil électroménager doit être bien mis à la terre et l'alimentation électrique de votre laveuse doit se conformer aux ordonnances et codes locaux et à la dernière édition du National Electrical Code, ANSI/NFPA 70.

## OUTILS NÉCESSAIRES POUR INSTALLER LA LAVEUSE

- Clé (fournie)
- Pince multiprise à crémaillère
- Niveau à bulle

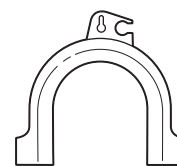
## PIÈCES FOURNIES



Tuyaux d'eau (2)



Clé



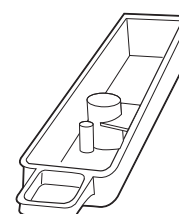
Guide de tuyau



Raccords de tuyau (4)



Capuchons pour trous de boulons d'expédition (5)



Godet à détergent

# Instructions d'installation

## EMPLACEMENT DE VOTRE LAVEUSE

### N'installez jamais votre laveuse :

1. Dans un endroit exposé à de l'eau qui coule ou aux conditions climatiques extérieures. La température ambiante ne doit jamais être inférieure à 15,6°C (60°F) pour que la laveuse fonctionne bien.
2. Dans un endroit où elle entre en contact avec des tentures ou des rideaux.
3. Sur un tapis. Le sol **DOIT** être une surface dure avec une pente maximum de 1,27 cm per 30 cm (1/2 pouce par pied). Pour vous assurer que la laveuse ne vibre pas ou ne bouge pas, il est possible que vous deviez renforcer le plancher.

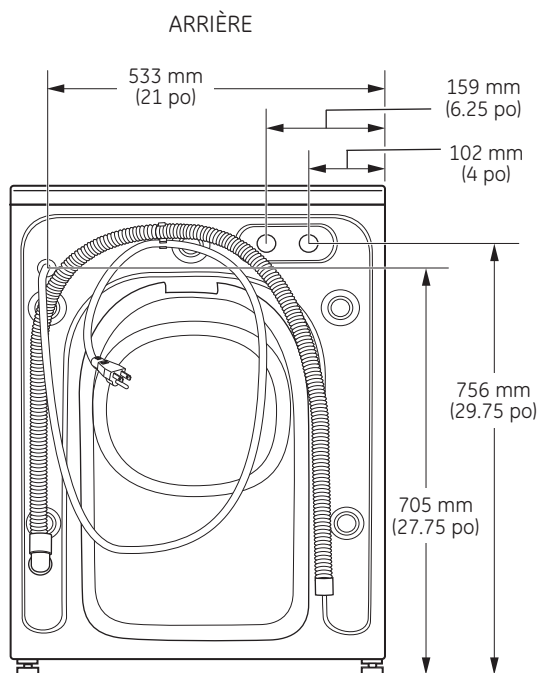
**NOTE :** Si le plancher est en mauvais état, utilisez une feuille de contreplaqué traité de 3/4 po. fixé solidement à la couverture de plancher actuelle.

### IMPORTANT :

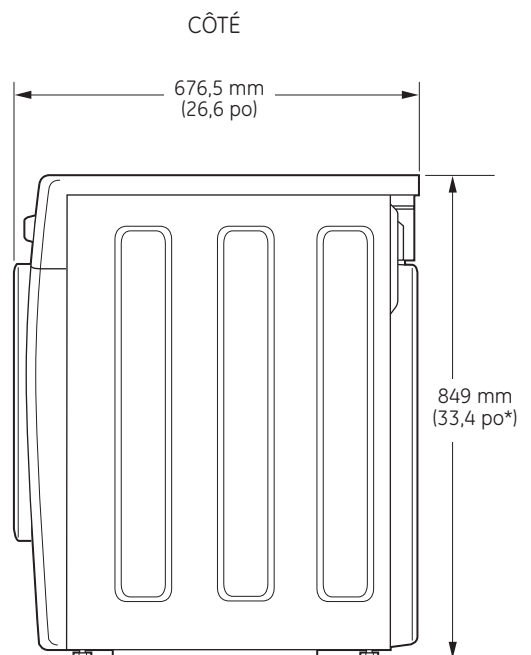
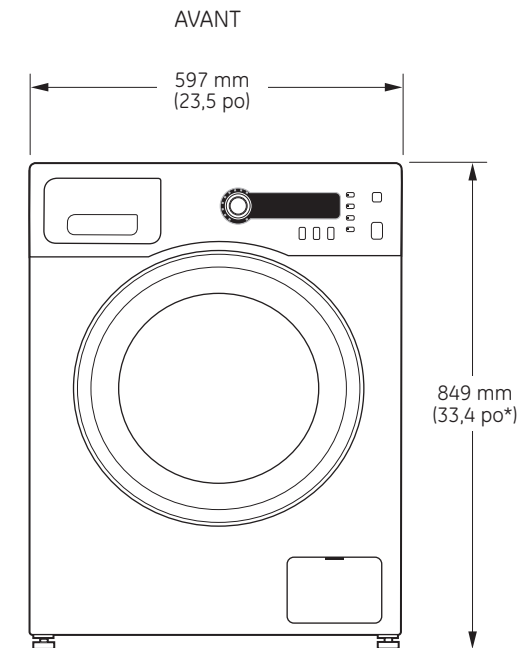
#### Espaces libres minimum pour l'installation

- Installation dans une alcôve : Côtés, arrière, haut = 0 cm (0 po.)
- Installation dans un placard : Côtés, arrière, haut = 0 cm (0 po.), avant = 2.54 cm (1 po.)
- Ouverture de ventilation de porte de placard requise : 2 grilles d'aération chaque 387 cm<sup>2</sup> (60 pouce carré), situées à 7,6 cm (3 po.) du haut et du bas de la porte.

## DIMENSIONS DE L'ENTREPRENEUR



## DIMENSIONS



### \*NOTE :

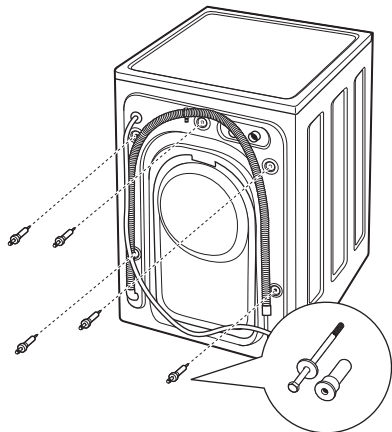
Les pattes de la laveuse peuvent s'ajuster sur 0,75 po (19 mm).  
Superposé : 67,7 po (171,8 cm)

# Instructions d'installation

## DÉBALLAGE DE VOTRE LAVEUSE

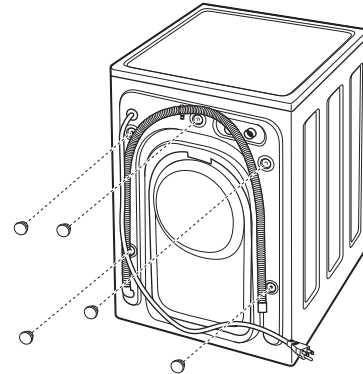
**⚠ AVERTISSEMENT :** Recyclez ou détruisez le carton et les sacs en matière plastique après avoir déballé votre laveuse. Mettez ces matériaux hors de la portée des enfants. Les enfants peuvent être tentés de les utiliser pour jouer. Les cartons recouverts de tapis, de couve-lit, ou de drap en matière plastique peuvent devenir des chambres hermétiquement closes risquant d'étouffer des enfants.

1. Coupez et enlevez toutes les sangles d'emballage.
2. Alors qu'elle est dans le carton, posez avec soin la laveuse sur son côté. **NE LAISSEZ JAMAIS** reposer la laveuse sur son avant ou son arrière.
3. Tournez vers le bas les rebords du bas—enlevez tout l'emballage de base, y compris la base en styrofoam.
4. Remettez soigneusement la laveuse debout et enlevez le carton.
5. Amenez soigneusement la laveuse à moins de 4 pieds (122 cm) de son emplacement final.
6. Enlevez les pièces suivantes de l'arrière de la laveuse :
  - 5 boulons
  - 5 bagues en matière plastique (y compris les anneaux en caoutchouc)



## DÉBALLAGE DE VOTRE LAVEUSE (suite)

7. Insérez les capuchons des trous de boulons d'expédition dans les trous des boulons d'expédition.



### NOTES:

- Si vous n'enlevez pas les cales d'expédition, vous risquez de déséquilibrer sérieusement la laveuse.
- Conservez tous les boulons pour un usage futur.
- Si vous devez transporter la laveuse à une date future, vous devez remettre en place la quincaillerie de soutien d'emballage pour éviter tout dommage pendant le transport. Conservez la quincaillerie dans le sac en matière plastique fourni.



# Instructions d'installation

## EXIGENCES ÉLECTRIQUES

Lisez ces instructions soigneusement et complètement.

### **⚠ AVERTISSEMENT** — POUR RÉDUIRE LE DANGER D'INCENDIE, DE SECOUSSE ÉLECTRIQUE ET LES BLESSURES CORPORELLES :

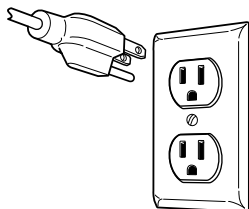
- **N'UTILISEZ PAS DE CORDON PROLONGATEUR OU UNE FICHE D'ADAPTATION AVEC CET APPAREIL.**

La laveuse doit être mise à la terre conformément à toutes les ordonnances et à tous les codes locaux ou, en l'absence de codes locaux, aux National Electrical Code, ANSI/NFPA 70.

**CIRCUIT** – Circuit de dérivation individuel, bien polarisé et mis à la terre, de 15 amp., branché par l'intermédiaire d'un fusible à retardement ou d'un disjoncteur de 15 amp.

**ALIMENTATION ÉLECTRIQUE** – 2-fils, avec mise à la terre, monophasée, 120-volt., 60-Hz, courant alternatif.

**PRISE MURALE** – Prise bien mise à la terre, triphasée, située dans un emplacement tel que le cordon d'alimentation est accessible quand la laveuse est installée.



## EXIGENCES DE MISE À LA TERRE

**⚠ AVERTISSEMENT :** Un mauvais branchement de la mise à la terre de votre laveuse peut occasionner un risque de secousse électrique. Vérifiez auprès d'un électricien licencié si vous ne savez pas si votre appareil est bien mis à la terre.

1. La laveuse **DOIT** être mise à la terre. En cas de mauvais fonctionnement ou de panne, la mise à la terre réduit le risque de secousse en fournissant un chemin de moindre résistance au courant électrique.
2. Comme votre laveuse est équipée d'un cordon d'alimentation électrique qui a un conducteur de mise à la terre et une fiche de mise à la terre, la fiche **DOIT** être branchée dans une prise adéquate, câblée en cuivre, qui est bien installée et mise à la terre conformément à toutes les ordonnances et à tous les codes locaux ou, en l'absence de codes locaux, aux National Electrical Codes, ANSI/NFPA 70 (dernière édition). En cas de doute, appelez un électricien licencié. **NE COUPEZ PAS** ou ne modifiez jamais la broche de mise à la terre du cordon d'alimentation électrique. Dans les situations où il existe une prise à deux trous, le propriétaire est responsable de demander à un électricien licencié de la remplacer par une prise à trois trous **bien mise à la terre**.

## EXIGENCES D'ALIMENTATION D'EAU

Vous **DEVEZ** installer des robinets d'eau chaude et froide à moins de 42 pouces (107 cm) de l'entrée d'eau de votre laveuse. Les robinets **DOIVENT** être des robinets de jardin de 1,9 cm (3/4 po.), pour pouvoir brancher les tuyaux d'entrée. La pression de l'eau **DOIT** être entre 10 et 120 livres par pouce carré. Votre service d'eau peut vous indiquer votre pression d'eau. La température de l'eau chaude doit être réglée de manière à fournir de l'eau à une température de 48°C à 60°C (120°F à 140°F) pour obtenir un rendement adéquat de la commande de température automatique (ATC).

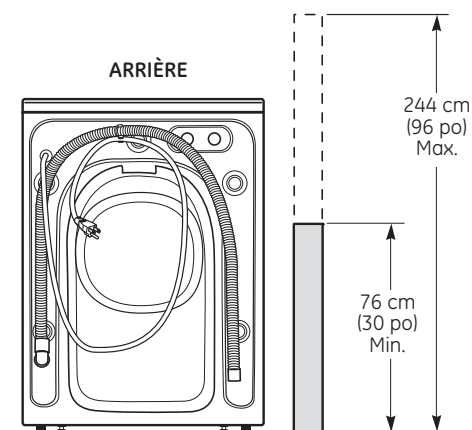
## EXIGENCES DE VIDANGE

1. Une vidange capable d'éliminer 64,3 L (17 gals) par minute.
2. Un diamètre minimum de tuyau ascendant de 3,18 cm (1 1/4 po.).
3. La hauteur du tuyau ascendant au dessus du plancher doit être la suivante :

Hauteur minimum : 61 cm (24 po.)

Hauteur maximum : 244 cm (96 po.)

Pour obtenir une hauteur de vidange au-dessus de 1,47 m (58 po), jusqu'à un maximum de 2,44 m (96 po), un ensemble d'entretien doit être acheté par l'intermédiaire de GE Service (WH49X301).

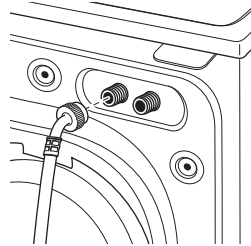


**NOTE :** Le tuyau de vidange attaché à la laveuse doit pouvoir atteindre un tuyau ascendant de 147 cm (58 po.). Pour un tuyau ascendant plus élevé, contactez un distributeur autorisé de pièces.

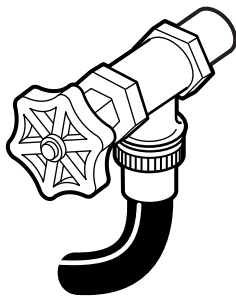
# Instructions d'installation

## INSTALLATION DE LA LAVEUSE

1. Faites couler un peu d'eau des robinets chaud et froid pour purger les tuyaux d'eau et enlever les particules qui peuvent boucher les tamis de robinet d'eau.
2. Enlevez les tuyaux d'entrée d'eau du sac en matière plastique. Retirez les rondelles en caoutchouc noires du sac et insérez-les dans le raccord de tuyau avant de le raccorder à l'appareil.
3. (extrémité coudée 90°)  
Branchez soigneusement le tuyau d'entrée marqué HOT (chaud) à la sortie extérieure du robinet d'eau marquée H. Serrez à la main, puis serrez encore 2/3 de tour avec des pinces. Branchez soigneusement l'autre tuyau d'entrée à la sortie intérieure du robinet d'eau marquée C (froide). Serrez à la main, puis serrez encore 2/3 de tour avec des pinces. **Ne faussez pas le filetage ou ne serrez pas trop ces branchements.**
4. Branchez les extrémités du tuyau d'entrée aux robinet d'eau CHAUDE et FROIDE, en serrant légèrement à la main, puis en serrant encore 2/3 de tour avec des



pinces. Ouvrez l'eau et vérifiez qu'il n'y ait pas de fuite.



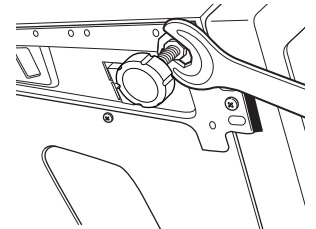
5. Amenez soigneusement la laveuse dans son emplacement final. Mettez gentilement la laveuse à sa place, en la balançant. Il est important de ne pas endommager les pattes de nivellement en caoutchouc lorsque vous déplacez la laveuse vers sa position finale. Des pattes endommagées peuvent accroître les vibrations produites par la laveuse. La vaporisation de nettoyant à vitres sur le plancher peut faciliter le déplacement de la laveuse vers sa position finale.

**NOTE : Afin de réduire les vibrations, assurez-vous que les quatre pattes de nivellement reposent fermement au plancher. Poussez et tirez sur l'arrière de la laveuse du côté droit, puis du côté gauche pour ajuster les pattes.**

**NOTE :** N'essayez jamais de soulever la laveuse par sa porte ou par son tiroir distributeur.

**NOTE :** Si vous installez dans un bac de vidange, vous pouvez utiliser un 2 x 4 long de 24 po. pour bien mettre à l'horizontale la laveuse.

6. La laveuse dans son emplacement final, placez un niveau à bulle sur la laveuse (si elle est installée sous un comptoir, elle ne doit pas bouger). Ajustez les pattes de nivellement avant vers le haut ou vers le bas pour vous assurer qu'elle ne bouge pas. Tournez les contre-écrous de chaque patte vers la base de la laveuse et serrez avec une clé anglaise.



**NOTE : Conservez les extensions des pattes à un minimum pour empêcher les vibrations. Plus les pattes sont tirés, et plus la laveuse vibre.**

Si le plancher n'est pas bien horizontal ou est endommagé, il est possible que vous deviez allonger les pattes de nivellement arrière.

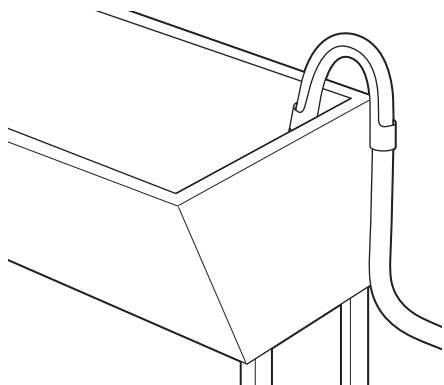
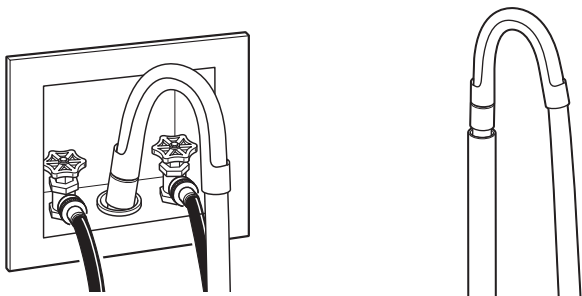
# Instructions d'installation

## INSTALLATION DE LA LAVEUSE (suite)

7. Attachez le guide de tuyau en U à l'extrémité du tuyau de vidange. Placez le tuyau dans une cuve à lessive ou un tuyau vertical.

**NOTE :** Si le tuyau de vidange est placé dans un tuyau vertical sans être recourbé en U, il peut produire un effet de siphonnement. Vous devez maintenir un espace d'air libre autour du tuyau de vidange. Un tuyau ajusté peut aussi occasionner un effet de siphonnement.

8. Branchez le cordon d'alimentation dans une prise mise à la terre.



**NOTE :** Vérifiez que le courant est coupé au niveau du disjoncteur ou de la boîte à fusibles avant de brancher le cordon d'alimentation à une prise.

9. Branchez le courant au niveau du disjoncteur ou de la boîte à fusibles.
10. Lisez le reste de ce Manuel du propriétaire. Il contient des renseignements précieux et utiles qui vous feront économiser du temps et de l'argent.
11. **Avant de mettre en marche la laveuse, vérifiez que tout est en ordre :**
- L'alimentation principale de courant est branchée.
  - La laveuse est branchée à la prise.
  - Les robinets d'eau sont ouverts.
  - L'appareil est bien horizontal et les quatre pattes de nivellement reposent fermement sur le plancher.
  - La quincaillerie de soutien pour l'expédition est enlevée et mise de côté.
  - Le tuyau de vidange est bien attaché.
  - Le robinet, les rondelles et le tuyau de vidange ne fuient pas.
12. Faites marcher la laveuse pendant un cycle complet. Vérifiez qu'il n'y a aucune fuite d'eau et qu'elle fonctionne bien.
13. Si votre laveuse ne fonctionne pas, nous vous prions de consulter la section *Avant d'appeler un réparateur*, avant d'appeler le service.
14. Rangez ces instructions dans un emplacement proche de la laveuse pour référence future.

## PIÈCES DE RECHANGE

Si vous avez besoin de pièces de rechange pour votre laveuse, vous pouvez les commander au Canada en visitant notre site web [www.electromenagersge.ca](http://www.electromenagersge.ca) ou en appelant le 800.561.3344.



Conseils de dépannage—Économisez du temps et de l'argent!  
Consultez d'abord les tableaux qui suivent et vous pourrez peut-être éviter de faire appel à un réparateur.

| Problème                            | Causes possibles  | Correctifs   |
|-------------------------------------|---|--|
| <b>Aucune rotation ni mouvement</b> | <b>Le tuyau de vidange est coudé ou mal branché</b>   | <ul style="list-style-type: none"> <li>Remettez droit le tuyau de vidange et assurez-vous que la laveuse ne le bloque pas.</li> </ul>  |
|                                     | <b>La vidange de la maison est peut-être bloquée</b>  | <ul style="list-style-type: none"> <li>Vérifiez la plomberie de la maison. Il est possible que vous ayez besoin d'appeler un plombier.</li> </ul>  |
|                                     | <b>Siphonnement du tuyau de vidange; le tuyau de vidange a été poussé trop loin dans le drain</b> | <ul style="list-style-type: none"> <li>Assurez-vous qu'il y a un espace d'air entre le tuyau de vidange et le drain.</li> </ul>  |
|                                     | <b>Le filtre de la pompe à eau est peut-être bouché</b>   | <ul style="list-style-type: none"> <li>Nettoyez le filtre de pompe – Ouvrez le panneau d'accès à la pompe (à l'aide d'une pièce de monnaie) et retirez le filtre de pompe en le tournant dans le sens antihoraire puis le tirant. Nettoyez le filtre, enlevez tous les débris lâches, puis remettez le filtre en place.</li> </ul>   |
|                                     | <b>La charge de vêtements est déséquilibrée</b>   | <ul style="list-style-type: none"> <li>Répartissez la charge de vêtements dans la laveuse et programmez le cycle « drain &amp; spin » (drainage et essorage) ou « rinse &amp; spin » (rinçage et essorage).</li> <li>Augmentez la taille de la charge de vêtements si vous avez une petite charge à laver contenant à la fois des articles lourds et des articles légers.</li> </ul> |
| <b>Fuite d'eau</b>                  | <b>Le joint de la porte est endommagé</b>   | <ul style="list-style-type: none"> <li>Vérifiez si le joint est bien en place et s'il n'est pas déchiré. Les objets oubliés dans les poches peuvent endommager la laveuse (clous, vis, stylos, crayons).</li> </ul>  |
|                                     | <b>Le joint de la porte n'est pas endommagé</b>   | <ul style="list-style-type: none"> <li>L'eau peut dégoutter de la porte lorsque celle-ci est ouverte. Il s'agit d'un fonctionnement normal.</li> </ul>   |
|                                     | <b>Vérifiez la présence d'eau à la partie arrière gauche de la laveuse</b>                        | <ul style="list-style-type: none"> <li>Si cette partie est mouillée, cela indique la présence d'un surplus de mousse savonneuse. Utilisez moins de détergent.</li> </ul>   |
|                                     | <b>Les tuyaux d'entrée de l'eau ou le tuyau de vidange ne sont pas bien branchés</b>              | <ul style="list-style-type: none"> <li>Assurez-vous que les tuyaux soient bien branchés au niveau des robinets et la laveuse et assurez-vous que le tuyau de vidange soit bien inséré et fixé à l'installation de vidange.</li> </ul>  |
|                                     | <b>La vidange de la maison est peut-être bloquée</b>  | <ul style="list-style-type: none"> <li>Vérifiez la plomberie de la maison. Il est possible que vous ayez besoin d'appeler un plombier.</li> </ul>  |
| <b>L'eau ne s'écoule pas</b>        | <b>Le tuyau de vidange est coudé ou mal branché</b>   | <ul style="list-style-type: none"> <li>Remettez droit le tuyau de vidange et assurez-vous que la laveuse ne le bloque pas.</li> </ul>  |
|                                     | <b>La vidange de la maison est peut-être bloquée</b>  | <ul style="list-style-type: none"> <li>Vérifiez la plomberie de la maison. Il est possible que vous ayez besoin d'appeler un plombier.</li> </ul>  |
|                                     | <b>Siphonnement du tuyau de vidange; le tuyau de vidange a été poussé trop loin dans le drain</b> | <ul style="list-style-type: none"> <li>Assurez-vous qu'il y a un espace d'air entre le tuyau de vidange et le drain.</li> </ul>  |
|                                     | <b>Le filtre de la pompe à eau est peut-être bouché</b>   | <ul style="list-style-type: none"> <li>Nettoyez le filtre de pompe – Ouvrez le panneau d'accès à la pompe (à l'aide d'une pièce de monnaie) et retirez le filtre de pompe en le tournant dans le sens antihoraire puis le tirant. Nettoyez le filtre, enlevez tous les débris lâches, puis remettez le filtre en place.</li> </ul>   |

# Avant d'appeler un réparateur...

Mesures de sécurité

Fonctionnement

Installation

Conseils de dépannage

Soutien au consommateur

| Problème  | Causes possibles   | Correctifs   |
|---|--|--|
| Aucune rotation                                   | Le tuyau de vidange est coudé ou mal branché   | • Remettez droit le tuyau de vidange et assurez-vous que la laveuse ne le bloque pas.  |
|   | La vidange de la maison est peut-être bloquée  | • Vérifiez la plomberie de la maison. Il est possible que vous ayez besoin d'appeler un plombier.  |
|   | Siphonnement du tuyau de vidange; le tuyau de vidange a été poussé trop loin dans le drain | • Assurez-vous qu'il y a un espace d'air entre le tuyau la laveuse la laveuse et le drain.   |
|   | Le filtre de la pompe à eau est peut-être bouché   | • Nettoyez le filtre de pompe – Ouvrez le panneau d'accès à la pompe (à l'aide d'une pièce de monnaie) et retirez le filtre de pompe en le tournant dans le sens antihoraire puis le tirant. Nettoyez le filtre, enlevez tous les débris lâches, puis remettez le filtre en place.   |
|   | La charge de vêtements est déséquilibrée   | • Répartissez la charge de vêtements dans la laveuse et programmez le cycle « drain & spin » (drainage et essorage) ou « rinse & spin » (rinçage et essorage).<br>• Augmentez la taille de la charge de vêtements si vous avez une petite charge à laver contenant à la fois des articles lourds et des articles légers.           |
|   | Le moteur surchauffe   | • Le moteur de la laveuse s'arrête s'il surchauffe. Il se remet automatiquement en marche après une période de refroidissement pouvant atteindre 2 heures (si la laveuse n'a pas été arrêtée manuellement).  |
| La porte est ouverte                              | • Assurez-vous de fermer la porte.   |  |
| Cycle incomplet ou minuterie arrêtée              | Le tuyau de vidange est coudé ou mal branché   | • Remettez droit le tuyau de vidange et assurez-vous que la laveuse ne le bloque pas.  |
|   | La vidange de la maison est peut-être bloquée  | • Vérifiez la plomberie de la maison. Il est possible que vous ayez besoin d'appeler un plombier.  |
|   | Siphonnement du tuyau de vidange; le tuyau de vidange a été poussé trop loin dans le drain | • Assurez-vous qu'il y a un espace d'air entre le tuyau de vidange et le drain.  |
|   | Le filtre de la pompe à eau est peut-être bouché   | • Nettoyez le filtre de pompe – Ouvrez le panneau d'accès à la pompe (à l'aide d'une pièce de monnaie) et retirez le filtre de pompe en le tournant dans le sens antihoraire puis le tirant. Nettoyez le filtre, enlevez tous les débris lâches, puis remettez le filtre en place.   |
|   | Nouvelle répartition automatique de la charge de vêtements                                 | • La minuterie s'arrête après une minute. La laveuse répartit la charge à une ou deux reprises. Il s'agit d'un fonctionnement normal. Vous n'avez rien à faire; la laveuse va compléter son cycle de lavage.   |
| Bruit fort ou inhabituel; vibrations ou secousses | Mouvement de la caisse   | • La laveuse a été conçue de façon à permettre un mouvement de 0,6 cm (1/4 po) afin de réduire la transmission des forces au plancher. Ce mouvement est normal.  |
|   | Les pattes de nivellement en caoutchouc ne reposent pas toutes fermement sur le plancher   | • Poussez et tirez sur l'arrière de la laveuse du côté droit, puis du côté gauche pour vérifier qu'elle est bien de niveau. Si la laveuse n'est pas de niveau, réglez les pattes de nivellement en caoutchouc de manière à ce qu'elles reposent toutes fermement sur le plancher. Votre installateur devrait corriger ce problème. |
|   | La charge de vêtements est déséquilibrée   | • Ouvrez la porte et répartissez la charge de vêtements manuellement. Pour vérifier que la machine fonctionne bien, programmez-la avec le cycle « rinse and spin » (rinçage et essorage) et aucune charge. Si tout va bien, le déséquilibre était causé par la mauvaise répartition de la charge.                                  |
|   | Les boulons d'expédition n'ont pas été enlevés   | • Tous les cinq (5) boulons d'expédition doivent être enlevés avant l'utilisation.   |
| Vêtements trop mouillés                           | Le tuyau de vidange est coudé ou mal branché   | • Remettez droit le tuyau de vidange et assurez-vous que la laveuse ne le bloque pas.  |
|   | La vidange de la maison est peut-être bloquée  | • Vérifiez la plomberie de la maison. Il est possible que vous ayez besoin d'appeler un plombier.  |
|   | Siphonnement du tuyau de vidange; le tuyau de vidange a été poussé trop loin dans le drain | • Assurez-vous qu'il y a un espace d'air entre le tuyau de vidange et le drain.  |
|   | Le filtre de la pompe à eau est peut-être bouché   | • Nettoyez le filtre de pompe – Ouvrez le panneau d'accès à la pompe (à l'aide d'une pièce de monnaie) et retirez le filtre de pompe en le tournant dans le sens antihoraire puis le tirant. Nettoyez le filtre, enlevez tous les débris lâches, puis remettez le filtre en place.   |
|   | La charge de vêtements est déséquilibrée   | • Répartissez la charge de vêtements dans la laveuse et programmez le cycle « drain & spin » (drainage et essorage) ou « rinse & spin » (rinçage et essorage).<br>• Augmentez la taille de la charge de vêtements si vous avez une petite charge à laver contenant à la fois des articles lourds et des articles légers.           |

| Problème   | Causes possibles   | Correctifs   |
|--|--|--|
| <i>Aucune puissance/<br/>la laveuse ne fonctionne<br/>pas ou semble hors tension</i> | Le tuyau de vidange est coudé ou mal branché   | <ul style="list-style-type: none"> <li>Remettez droit le tuyau de vidange et assurez-vous que la laveuse ne le bloque pas.</li> </ul>  |
|  | La vidange de la maison est peut-être bloquée  | <ul style="list-style-type: none"> <li>Vérifiez la plomberie de la maison. Il est possible que vous ayez besoin d'appeler un plombier.</li> </ul>  |
|  | Le tuyau de vidange a été poussé trop loin dans le drain   | <ul style="list-style-type: none"> <li>Assurez-vous qu'il y a un espace d'air entre le tuyau de vidange et le drain.</li> </ul>  |
|  | Le filtre de la pompe à eau est peut-être bouché   | <ul style="list-style-type: none"> <li>Nettoyez le filtre de pompe – Ouvrez le panneau d'accès à la pompe (à l'aide d'une pièce de monnaie) et retirez le filtre de pompe en le tournant dans le sens antihoraire puis le tirant. Nettoyez le filtre, enlevez tous les débris lâches, puis remettez le filtre en place.</li> </ul>                               |
|  | La laveuse n'est pas branchée  | <ul style="list-style-type: none"> <li>Assurez-vous que la fiche de la laveuse est fermement branchée dans une prise de courant sous tension.</li> </ul>   |
|  | L'alimentation d'eau est coupée  | <ul style="list-style-type: none"> <li>Ouvrez complètement les robinets d'eau chaude et froide.</li> </ul>   |
|  | Le disjoncteur a basculé/<br>le fusible a sauté  | <ul style="list-style-type: none"> <li>Vérifiez les disjoncteurs/fusibles de la maison. Remplacez les fusibles ou remettez en marche le disjoncteur. La laveuse avoir une sortie différente de courant.</li> </ul>   |
|  | Les contrôles ne sont pas bien réglés  | <ul style="list-style-type: none"> <li>Appuyez sur le bouton <b>START/PAUSE</b> (mise en marche/pause) pour commencer le cycle.</li> </ul>   |
| <i>L'eau n'entre pas ou entre<br/>lentement dans la laveuse</i>                      | Vérifications automatiques du système  | <ul style="list-style-type: none"> <li>Après que la touche <b>START</b> (départ) a été enfoncée, la laveuse doit procéder à plusieurs vérifications de système. L'eau se mettra à couler plusieurs secondes après que la touche <b>START</b> a été enfoncée.</li> </ul>  |
|  | Les tamis des robinets d'eau sont bouchés  | <ul style="list-style-type: none"> <li>Coupez la source d'eau et enlevez les tuyaux de branchement de l'eau à l'arrière en haut de la laveuse. Utilisez une brosse ou un cure-dents pour nettoyer les tamis de la machine. Rebranchez les tuyaux et ouvrez l'eau à nouveau.</li> </ul>   |
|  | Filtre bouché ou tuyau de remplissage plié   | <ul style="list-style-type: none"> <li>Assurez-vous que les filtres du robinet d'eau (le grillage bleu et orange doit être exempt de matières solides) de l'appareil ne sont pas encrassés. Coupez l'eau et vérifiez le filtre en déconnectant le tuyau au niveau de la machine. Vérifiez que les tuyaux de remplissage ne sont pas pliés ni bouchés.</li> </ul> |
|  | Efficacité énergétique   | <ul style="list-style-type: none"> <li>Comme cette laveuse est éconergétique, ses réglages de température peuvent différer par rapport à une laveuse qui ne l'est pas.</li> </ul>  |
|  | Alimentation d'eau insuffisante  | <ul style="list-style-type: none"> <li>Assurez-vous que l'alimentation d'eau est ouverte et que les robinets d'eau sont tournés à la position d'ouverture maximale.</li> </ul>   |
|  | La porte de la laveuse est ouverte   | <ul style="list-style-type: none"> <li>La porte de la laveuse doit être fermée pendant tous les cycles de lavage. Si la porte est ouverte pendant un cycle de lavage, toutes les fonctions s'arrêteront, y compris le remplissage d'eau.</li> </ul>  |
|  | Raccordement de tuyaux de remplissage incorrect  | <ul style="list-style-type: none"> <li>Vérifiez que les tuyaux de remplissage relient l'alimentation d'eau chaude à l'entrée d'eau chaude de la laveuse et l'alimentation d'eau froide à l'entrée d'eau froide de la laveuse (chaude avec chaude, froide avec froide).</li> </ul>  |
|  | Optimisation du remplissage d'eau  | <ul style="list-style-type: none"> <li>Il se peut que l'eau ne recouvre pas le dessus des vêtements. Ce phénomène est normal dans le cas de cette laveuse éconergétique. Le remplissage d'eau est optimisé par le système pour procurer une meilleure qualité de lavage.</li> </ul>  |
| <i>Files tirés, trous, déchirures<br/>coupures ou usure excessive</i>                | Des stylos, crayons, clous, vis ou autres objets ont été oubliés dans les poches de vêtements                                    | <ul style="list-style-type: none"> <li>Retirez les objets des poches des vêtements.</li> </ul>   |
|  | Épingles, agrafes, crochets, boutons aiguisés, boucles de ceinture, fermetures éclair et objets aiguisés laissés dans les poches | <ul style="list-style-type: none"> <li>Attachez les agrafes, les crochets, les boutons et les fermetures éclair.</li> </ul>  |

## Avant d'appeler un réparateur...

| Problème                                      | Causes possibles   | Correctifs   |
|---|--|--|
| Plissage                                      | Mauvais tri  | <ul style="list-style-type: none"> <li>Évitez de mélanger les articles lourds (comme les vêtements de travail) avec les articles légers (comme les blouses).</li> </ul>  |
|   | Surcharge  | <ul style="list-style-type: none"> <li>Chargez votre laveuse de manière à ce que les vêtements aient assez d'espace pour bouger.</li> </ul>  |
|   | Mauvais cycle de lavage  | <ul style="list-style-type: none"> <li>Utilisez un cycle de lavage qui convient à la catégorie de tissus que vous lavez (en particulier pour les charges de tissus faciles à laver).</li> </ul>  |
|   | Lavages répétés dans de l'eau trop chaude  | <ul style="list-style-type: none"> <li>Lavez dans de l'eau tiède ou froide.</li> </ul>   |
| Vêtements devenus gris ou jaunes              | Pas assez de détergent   | <ul style="list-style-type: none"> <li>Utilisez le bon montant de détergent.</li> </ul>  |
|   | Vous n'utilisez pas le détergent à haute efficacité  | <ul style="list-style-type: none"> <li>Utilisez du détergent à haute efficacité.</li> </ul>  |
|   | Eau calcaire   | <ul style="list-style-type: none"> <li>Utilisez de l'eau la plus chaude possible pour les tissus.</li> <li>Utilisez un conditionneur d'eau comme celui de marque Calgon ou installez un adoucisseur d'eau.</li> </ul>  |
|   | L'eau n'est pas suffisamment chaude  | <ul style="list-style-type: none"> <li>Assurez-vous que le chauffe-eau produit de l'eau à une température de 48°-60°C (120°-140°F)</li> </ul>  |
|   | Le détergent ne se dissout pas   | <ul style="list-style-type: none"> <li>Essayez un détergent liquide.</li> </ul>  |
| Taches de couleur                             | Transfert de colorant  | <ul style="list-style-type: none"> <li>Triez les vêtements par couleur. Si l'étiquette du tissu indique <i>lavez séparément</i>, cela peut indiquer que le tissu contient des colorants instables.</li> </ul>  |
|   | Mauvaise utilisation de l'adoucisseur  | <ul style="list-style-type: none"> <li>Vérifiez les instructions du paquet d'adoucisseur et suivez-les pour utiliser le distributeur.</li> </ul>   |
| La température de l'eau n'est pas bonne       | Transfert de colorant  | <ul style="list-style-type: none"> <li>Séparez les articles blancs ou de couleur claire de ceux de couleur sombre.</li> <li>Retirez rapidement la charge de lavage de la laveuse.</li> </ul>   |
|   | L'alimentation d'eau n'est pas bien branchée   | <ul style="list-style-type: none"> <li>Assurez-vous que les tuyaux sont branchés aux bons robinets.</li> </ul>   |
| Mauvaise odeur à l'intérieur de votre laveuse | Le chauffe-eau de la maison n'est pas bien réglé   | <ul style="list-style-type: none"> <li>Assurez-vous que le chauffe-eau de la maison fournisse de l'eau à une température de 48°-60°C (120°-140°F).</li> </ul>  |
|   | Laveuse inutilisée pendant une longue période ou le détergent HE de la qualité recommandée n'a pas été utilisé | <ul style="list-style-type: none"> <li>Laissez la porte légèrement ouverte pour laisser sécher à l'air.</li> <li>Exécutez un cycle <b>BasketClean</b> (Nettoyage du panier) (voir le menu <b>Specialty Cycle</b> [cycles particuliers]) avec une tasse de javellisant ou d'un autre produit commercialisé à cette fin, par exemple Tide® Washing Machine Cleaner. Consultez la section <i>Entretien et nettoyage/Entretien général</i>.</li> </ul> |
| Légère variation de la couleur métallique     | Ceci est normal  | <ul style="list-style-type: none"> <li>Étant donné les propriétés métalliques de la peinture utilisée pour ce produit unique, de légères variations de couleur peuvent survenir selon l'angle de vision et les conditions d'éclairage.</li> </ul>  |

# Garantie de laveuse GE.



Tout le service sous garantie est fourni par nos Centres de service de fabrique ou par un technicien autorisé. Pour le service, appelez le 1.800.561.3344.

Veillez fournir le numéro de série et le numéro de modèle lorsque vous appelez pour obtenir le service.

## Pour une période de : **Nous remplacerons :**

### Un an

À partir de la date de l'achat original

**Toute pièce** de la laveuse qui tombe en panne à cause d'un vice de matériau ou de main-d'œuvre. Pendant cette **garantie limitée d'un an**, GE fournit également, **gratuitement**, tous les frais de main-d'œuvre et de services connexes pour remplacer la pièce défectueuse.

## Ce qui n'est pas couvert (au Canada) :

- Les frais de déplacements à votre maison pour vous apprendre à utiliser votre produit.
- Une mauvaise installation, livraison ou entretien.
- Une panne du produit si celui-ci est maltraité, mal utilisé ou utilisé à des fins autres que celles auxquelles il est destiné, ou utilisé commercialement.
- Des dommages après la livraison.
- Le remplacement de fusibles de la maison ou la remise en marche d'un disjoncteur.
- Des dommages au produit causés par un accident, un incendie, une inondation ou une catastrophe naturelle.
- Tout dommage indirect ou consécutif causé par des pannes possibles de cet appareil électroménager.
- Le service s'il est impossible d'avoir accès au produit pour ce faire.

**EXCLUSION DE GARANTIES IMPLICITES – Votre seul et unique recours est la réparation du produit selon les dispositions de cette Garantie limitée. Toutes les garanties implicites, incluant les garanties de commercialité et d'adéquation à un usage spécifique, sont limitées à une année ou à la période la plus courte autorisée par la législation.**

Cette garantie est offerte à l'acheteur initial, ainsi qu'à tout propriétaire subséquent d'un produit acheté en vue d'une utilisation domestique au Canada. Le service à domicile en vertu de la garantie sera fourni dans les régions où il est disponible et où Mabe estime raisonnable de le fournir.

LE GARANT N'EST PAS RESPONSABLE DES DOMMAGES INDIRECTS.

Garant : MABE CANADA INC.



## Soutien au consommateur.

---



### Site Web appareils électroménagers GE [www.electromenagersge.ca](http://www.electromenagersge.ca)

Vous avez une question ou vous avez besoin d'aide pour votre appareil électroménager? Contactez-nous par Internet au site [www.electromenagersge.ca](http://www.electromenagersge.ca) 24 heures par jour, tous les jours de l'année.



### Service de réparations

**1.800.561.3344**

Service de réparations GE est tout près de vous.  
Pour faire réparer votre électroménager GE, il suffit de nous téléphoner.



### Studio de conception réaliste

Sur demande, GE peut fournir une brochure sur l'aménagement d'une cuisine pour les personnes à mobilité réduite.

Écrivez: Directeur, Relations avec les consommateurs, Mabe Canada Inc.  
Bureau 310, 1 Factory Lane  
Moncton, N.B. E1C 9M3

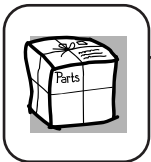


### Prolongation de garantie

[www.electromenagersge.ca](http://www.electromenagersge.ca)

Achetez un contrat d'entretien GE avant que votre garantie n'expire et bénéficiez d'un rabais substantiel. Ainsi le service après-vente GE sera toujours là après expiration de la garantie.

**Visitez notre site web ou contactez votre fournisseur local de garanties prolongées.**



### Pièces et accessoires

Ceux qui désirent réparer eux-mêmes leurs électroménagers peuvent recevoir pièces et accessoires directement à la maison (cartes VISA et MasterCard acceptées).

**Les directives stipulées dans le présent manuel peuvent être effectuées par n'importe quel utilisateur. Les autres réparations doivent généralement être effectuées par un technicien qualifié. Soyez prudent, car une réparation inadéquate peut affecter le fonctionnement sécuritaire de l'appareil.**

Vous trouverez dans les pages jaunes de votre annuaire le numéro du Centre de service Mabe le plus proche. Autrement, appelez-nous au 1.800.661.1616.



### Contactez-nous

Si vous n'êtes pas satisfait du service après-vente dont vous avez bénéficié :

**Premièrement**, communiquez avec les gens qui ont réparé votre appareil.

**Ensuite**, si vous n'êtes toujours pas satisfait envoyez tous les détails-numéro de téléphone compris-au  
Directeur, Relations avec les consommateurs, Mabe Canada Inc.  
Bureau 310, 1 Factory Lane  
Moncton, N.B. E1C 9M3



### Inscrivez votre appareil électroménager [www.electromenagersge.ca](http://www.electromenagersge.ca)

**Inscrivez votre appareil électroménager en direct, aussitôt que possible.** Cela améliorera nos communications et notre service après-vente. Vous pouvez également nous envoyer par la poste le formulaire d'inscription joint à votre documentation.

**Instrucciones de seguridad** ... 50, 51

**Instrucciones de funcionamiento**

Ajustes de control .....53-55  
Carga y uso de la lavadora .....57-60  
Funciones .....56  
Panel de control ..... 52

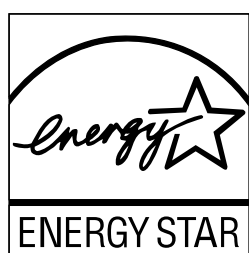
**Instrucciones de instalación** ...61-66

Desembalaje de la lavadora .....63  
Dimensiones aproximadas .....62  
Instalación de la lavadora .....65, 66  
Piezas de repuesto .....66  
Preparación para la instalación  
de la lavadora .....61  
Requisitos de conexión de tierra .....64  
Requisitos de desagüe .....64  
Requisitos de suministro de agua .....64  
Requisitos eléctricos .....64  
Ubicación de la lavadora .....62

**Consejos para la solución  
de problemas** .....67-70

**Atención al cliente**

Garantía (EE.UU.) ..... 71  
Servicio al consumidor .....75



Como socio de Energy Star®, GE ha confirmado que este producto cumple las directrices de Energy Star® relativas al rendimiento energético.

**Escriba aquí los números de modelo y serie:**

**N.º de modelo** \_\_\_\_\_

**N.º de serie** \_\_\_\_\_

Usted puede encontrarlos en una etiqueta dentro de la puerta.

|                            |                                 |                              |  |                       |
|----------------------------|---------------------------------|------------------------------|--|-----------------------|
| Instrucciones de seguridad | Instrucciones de funcionamiento | Instrucciones de instalación | Consejos para la solución de problemas | SopORTE al consumidor |
|----------------------------|---------------------------------|------------------------------|--|-----------------------|

# INFORMACIÓN DE SEGURIDAD IMPORTANTE. LEA TODAS LAS INSTRUCCIONES ANTES DEL USO.

## ⚠ ¡ADVERTENCIA!

Para su seguridad, siga la información de este manual con el fin de minimizar el riesgo de incendio, explosión o descarga eléctrica, así como para evitar daños materiales, lesiones o la muerte.

Las instrucciones de este manual, así como el resto de la documentación que se incluye con la lavadora, no cubren todas las situaciones o estados posibles que pueden producirse. El usuario **DEBE** adoptar procedimientos correctos, seguros y prudentes al instalar, utilizar y realizar el mantenimiento de cualquier electrodoméstico.

Instrucciones de seguridad

Instrucciones de funcionamiento



## SEGURIDAD DEL CALENTADOR DE AGUA

En determinadas condiciones, en un calentador de agua que no se haya utilizado durante un mínimo de dos semanas se puede producir gas hidrógeno. El gas hidrógeno puede resultar explosivo en determinadas circunstancias.

Si el agua caliente no se ha utilizado por dos semanas o más, prevenga la posibilidad de sufrir daños o lesiones abriendo todos los grifos de agua caliente y dejándola correr durante varios minutos. Realice este proceso antes de utilizar cualquier electrodoméstico que se conecte al sistema de agua caliente. Este sencillo procedimiento le permitirá liberar todo el gas hidrógeno acumulado. Debido a que el gas es inflamable, no fume ni utilice ninguna llama o electrodoméstico durante el proceso.

Instrucciones de instalación



## INSTALACIÓN CORRECTA

La lavadora se debe instalar y colocar correctamente de acuerdo con las instrucciones de instalación, antes de utilizarla.

- Instale o almacene la lavadora en un lugar donde no esté expuesta a temperaturas bajo cero ni a las inclemencias climáticas, ya que esto puede provocar daños irreversibles e invalidar la garantía.
- Conecte correctamente a tierra la lavadora de conformidad con todos los códigos y ordenanzas regulatorias. Siga la información de Instrucciones de instalación.

Consejos para la solución de problemas



## ZONA DE LAVADERO

- Mantenga las zonas debajo de los electrodomésticos y en torno a ellos sin materiales combustibles como pelusa, papel, trapos y productos químicos.
- No deje la puerta de la lavadora abierta. Si la puerta está abierta, puede hacer que los niños se cuelguen de ella o se introduzcan en la lavadora.
- Es necesario vigilar con atención a los niños si utilizan la lavadora o se encuentran en las proximidades. No deje que los niños jueguen sobre éste u otro electrodoméstico, con él o en su interior.
- Mantenga todos los elementos de lavado (tales como detergentes, lejías, etc.) fuera del alcance de los niños, preferentemente en un gabinete cerrado con llave. Cumpla con todas las advertencias de las etiquetas de los recipientes para evitar lesiones.
- Nunca se suba o se pare sobre la parte superior de la lavadora.

Soporte al consumidor



## AL UTILIZAR LA LAVADORA

Utilice este electrodoméstico sólo para el uso que se describe en este manual del propietario.

- No abra nunca la lavadora mientras esté en movimiento. Espere a que se detenga por completo para abrir la puerta.
- No mezcle blanqueadores clorados con amoníaco o ácidos como vinagre o desoxidantes. La mezcla de distintos productos químicos puede producir gases tóxicos que pueden causar la muerte.
- No lave ni seque prendas que se hayan limpiado, lavado, empapado o manchado con sustancias inflamables o explosivas (como cera, aceite, pintura, gasolina, desengrasantes, disolventes de limpieza en seco, queroseno, etc.) que puedan prenderse o explotar. No añada ninguna de estas sustancias al agua de lavado. No utilice ni coloque ninguna de estas sustancias en torno a la lavadora o la secadora durante el funcionamiento.
- El proceso de lavado puede reducir el tiempo previo a la inflamación de los tejidos. Para evitar este efecto, siga con atención las instrucciones de lavado y cuidado del fabricante de la prenda.
- Para minimizar la posibilidad de descarga eléctrica, desenchufe el electrodoméstico de la corriente o desconecte la lavadora en el panel de distribución de la vivienda quitando el fusible o apagando el interruptor antes de realizar cualquier tarea de mantenimiento o limpieza.  
**NOTA:** al pulsar el botón de apagado, **NO** se desconecta la lavadora de la corriente.
- No intente en ningún caso utilizar la lavadora si está dañada, funciona incorrectamente, está parcialmente desmontada, le faltan piezas o algunas están rotas, incluidos el cable o el enchufe.
- No cierre la puerta bruscamente. No intente forzar la puerta para abrirla cuando esté bloqueada (el indicador LOCKED [Bloqueada] está ENCENDIDO). Puede dañar la lavadora.
- La lavadora se encuentra equipada con un sistema de detección de temperatura excesiva. El motor se detendrá si se sobrecalienta. La lavadora apagará el motor durante 2 minutos para enfriarse. Si el motor sigue muy caliente después de 2 minutos, la lavadora repetirá la acción de enfriamiento por un total de 3 veces. Si el motor continúa muy caliente después de 3 acciones de enfriamiento, la lavadora quedará en pausa hasta que se la accione de nuevo en forma manual.



## CUANDO NO ESTÉ EN USO

- Cierre las llaves de paso para reducir la presión de las tuberías y las válvulas, y minimizar las fugas en caso de que se produzca una rotura o grieta. Compruebe el estado de las tuberías de toma de agua, ya que deben sustituirse cada 5 años.
- Antes de deshacerse de una lavadora o de desecharla, quite la puerta de la lavadora para evitar que los niños se escondan en su interior.
- No intente reparar ni sustituir ninguna pieza de este electrodoméstico, a menos que se recomiende de manera explícita en el manual del propietario o en instrucciones publicadas de uso y reparación que sean comprensibles y que pueda realizar usted.
- No manipule los controles.



LEA DETENIDAMENTE Y SIGA LA INFORMACIÓN DE SEGURIDAD.

**GUARDE ESTAS INSTRUCCIONES**

# El panel de control de la lavadora.

Usted puede encontrar el número de su modelo en una etiqueta dentro de la puerta.

**⚠ ADVERTENCIA!** Para reducir el riesgo de incendio, descarga eléctrica o lesiones a personas, lea las **INSTRUCCIONES IMPORTANTES DE SEGURIDAD** antes de utilizar este aparato.

## Inicio rápido

Si la pantalla se encuentra oscura, presione el botón **POWER** (encendido/apagado) para "despertar" la pantalla.

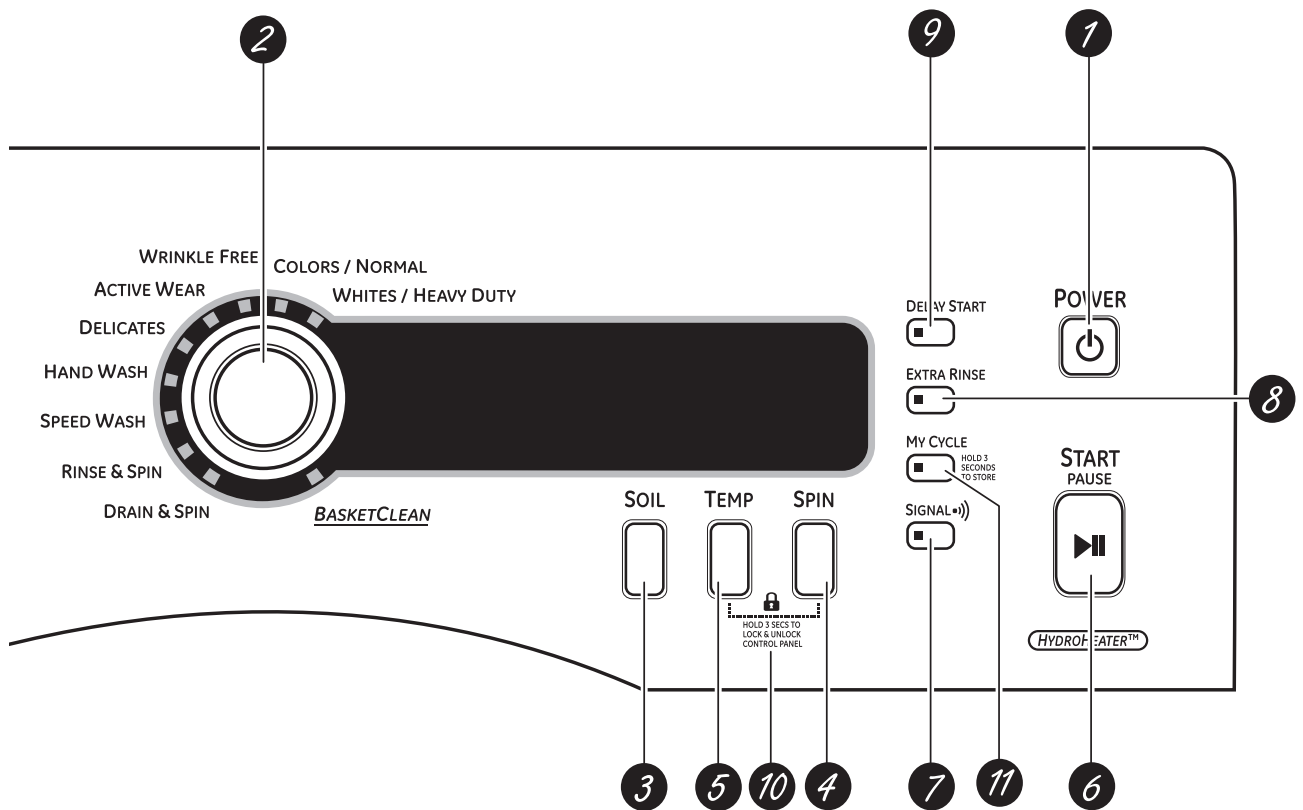
1 Presione el botón **POWER** (encendido/apagado).



2 Seleccione un ciclo de lavado. (Existen configuraciones por defecto para cada ciclo de lavado. Estas configuraciones por defecto pueden modificarse. Para más información, consulte *Configuraciones de control*).



3 Si seleccionó un ciclo de lavado, presione el botón **START/PAUSE** (iniciar/pausa).



**1 Power (Encendido/apagado)**  
 Pulse este botón para "activar" la pantalla. Si la pantalla está activa, púselo para poner la lavadora en modo de espera.

**NOTA:** Al pulsar el botón de **POWER** (encendido/apagado) no se desconecta la lavadora de la corriente.

## 2 Ciclos de lavado

Los ciclos de lavado se han optimizado para tipos específicos de cargas de lavado. La siguiente tabla le ayudará a combinar el tipo de lavado con las cargas. Los elevadores Gentle Wash™ hacen girar la ropa suavemente en la solución de agua y detergente para limpiar la carga.

|   |   |
|---|---|
| <b>WHITES/HEAVY DUTY<br/>(ROPA BLANCA/MUY RESISTENTES)</b>                        | Para prendas de algodón, ropa de hogar, prendas de trabajo o deportivas de color blanco con mucha o poca suciedad.  |
| <b>COLORS (ROPA DE COLOR)/<br/>NORMAL</b>   | Para prendas de algodón, ropa de cama, prendas de trabajo o deportivas de colores sólidos con mucha o poca suciedad.  |
| <b>WRINKLE FREE (PERMA PRESS)<br/>LIBRE DE ARRUGAS<br/>(PLANCHADO PERMANENTE)</b> | Para prendas de cuidado normal y planchado permanente.  |
| <b>ACTIVE WEAR<br/>(ROPA DE EJERCICIO)</b>  | Para prendas que se utilicen a la hora de practicar deportes, ejercicios, así como algunas prendas sport. Entre los tejidos, se incluyen acabados y fibras de última tecnología como spandex, telas elásticas y microfibras.  |
| <b>DELICATES<br/>(PRENDAS DELICADAS)</b>  | Para lencería y telas de cuidado especiales con poca o normal suciedad. Proporciona una limpieza y un remojo suaves durante el lavado y el enjuagado.   |
| <b>HANDWASH<br/>(LAVADO A MANO)</b>   | Para prendas en las que se indique que se pueden lavar a mano con poca suciedad. La ropa se sacude con ligereza a fin de imitar la acción del lavado a mano.  |
| <b>SPEED WASH<br/>(LAVADO RÁPIDO)</b>   | Para prendas con poca suciedad que se necesiten en poco tiempo. La duración del ciclo es de aproximadamente 30 minutos, dependiendo de las opciones seleccionadas.  |
| <b>RINSE &amp; SPIN<br/>(ENJUAGADO Y CENTRIFUGADO)</b>                            | Para enjuagar las prendas rápidamente en cualquier momento.   |
| <b>DRAIN &amp; SPIN<br/>(DESAGÜE Y CENTRIFUGADO)</b>                              | Para centrifugar y desaguar en cualquier momento.   |
| <b>BASKET CLEAN<br/>(LIMPIEZA DE TAMBOR)</b>                                      | Para limpiar el tambor y reducir el olor.<br><b>NOTA:</b> El ciclo Basket Clean (Limpieza de tambor) se utiliza para limpiar el tambor de la lavadora y para reducir el olor. NO agregue prendas durante este ciclo. Quite el recipiente para detergente y agregue una taza de blanqueador u otro producto comercialmente disponible fabricado para este propósito, como el limpiador de lavadoras Tide®. |

# Ajustes de control.

Instrucciones de seguridad

Instrucciones de funcionamiento

Instrucciones de instalación

Consejos para la solución de problemas

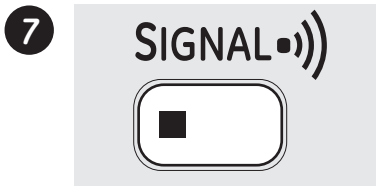
Soporte al consumidor

**3 Soil Level (Nivel de suciedad)**  
Al cambiar el nivel de suciedad, aumenta o disminuye el tiempo de lavado con el fin de eliminar las distintas cantidades de suciedad. Para cambiar el nivel de suciedad, pulse el botón **SOIL** (nivel de suciedad) hasta obtener el valor deseado. Puede elegir entre los niveles de suciedad Extra Light (muy poca), Light (poca), Normal o Heavy (mucho).

**4 Spin Speed (Velocidad de centrifugado)**  
Al cambiar la configuración de centrifugado, cambia la velocidad final de centrifugado de los ciclos. Siga siempre las indicaciones de la etiqueta de cuidado del fabricante de la prenda al cambiar la configuración de centrifugado. Para cambiar la configuración de centrifugado, pulse el botón **SPIN** (configuración de centrifugado) hasta obtener el valor deseado. Puede elegirse entre No Spin (sin centrifugado), Low (bajo), Medium (medio), High (alto) o Extra High Spin (centrifugado extra alto). Las velocidades de centrifugado más rápidas no están disponibles en determinados ciclos, como Delicates (prendas delicadas).  
Con dichas velocidades, se elimina más agua de las prendas y se reduce el tiempo de secado, aunque también puede aumentar la posibilidad de que se formen arrugas en algunos tejidos.

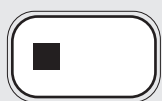
**5 Wash Temp (Temperatura de lavado)**  
Ajuste este control para seleccionar la temperatura del agua adecuada para el ciclo de lavado. El agua de prelavado y enjuagado está siempre fría para poder reducir el consumo de energía y las manchas y arrugas. Siga las indicaciones de la etiqueta de cuidado del fabricante del tejido al seleccionar la temperatura de lavado. Para cambiar la temperatura de lavado, pulse el botón **TEMP** (temperatura de lavado) hasta obtener el valor deseado. Puede elegirse entre Tap Cold (frío de grifo), Cold (frío), Warm (tibio), Hot (caliente) o Sanitize (desinfección). La temperatura de lavado de desinfección no está disponible en determinados ciclos, como Delicates (prendas delicadas). Al seleccionar la temperatura de Sanitize (desinfección), la lavadora aumenta la temperatura del agua para esterilizar y eliminar más del 99% de las bacterias que aparecen de forma frecuente en los lavados hogareños. La temperatura de desinfección está disponible exclusivamente en el ciclo Whites/Heavy Duty (ropa blanca/muy resistentes). Para obtener mejores resultados, seleccione la configuración de suciedad excesiva cuando utilice la opción de temperatura de desinfección.  
**NOTA:** Los 10 primeros segundos de la toma de agua, siempre está fría. Esta función permite acondicionar el tejido y evitar que las manchas se adhieran a las prendas.

**6 Start/Pause (Inicio/pausa)**  
Pulse este botón para iniciar un ciclo de lavado. Si la lavadora está en funcionamiento, al pulsarlo una vez, la lavadora se detendrá y se desbloqueará la puerta. Esta función puede utilizarse para agregar prendas durante un ciclo. Vuelva a pulsar el botón para reiniciar el ciclo de lavado.  
**NOTA:** Si la lavadora está detenida y el ciclo no se reinicia en 15 minutos, se cancelará el ciclo de lavado actual.  
**NOTA:** En algunos ciclos, la lavadora realiza el desagüe primero, luego destrabe la puerta cuando se encuentra en pausa.  
**NOTA:** La lavadora realiza revisiones automáticas del sistema después de presionar el botón **START/PAUSE** (inicio/pausa). El flujo de agua se iniciará en 45 segundos o antes. Podrá escuchar la puerta al trabarse y destrabarse antes de que comience a fluir el agua; esto es normal.



**Signal (Señal)**  
Cuando la luz está encendida, la lavadora emitirá un pitido al final del ciclo y cada vez que se presione un botón del panel de control. Para apagar la señal, presione el botón de señal y la luz se apagará.

8

**EXTRA RINSE****Extra Rinse (Enjuagado extra)**

Use esta función cuando desee un enjuagado adicional para eliminar los restos de suciedad y detergente en cargas sucias.

**NOTA:** En algunos ciclos especiales, el enjuague extra se selecciona automáticamente por defecto. Esta selección puede modificarse en cualquier momento. Algunos ciclos cuentan con enjuagues adicionales que se realizan automáticamente.

9

**DELAY START****Delay Start (Retrasar inicio)**

Utilícelo para retardar el inicio de su lavadora.

1. Elija su ciclo de lavado y cualquier otra opción.
2. Presione el botón **DELAY START** (retrasar inicio). Usted puede cambiar el tiempo de retardo en unidades de 1 hora (hasta 18 horas) cada vez que presiona el botón **DELAY START**. Deje de presionar el botón cuando vea el tiempo deseado.
3. Presione el botón de **START/PAUSE** (inicio/pausa) para iniciar la cuenta regresiva.

El tiempo restante podrá verse en la pantalla de **ESTIMATED TIME REMAINING** (tiempo restante estimado).

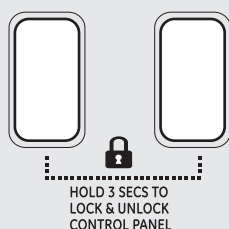
**NOTAS:**

■ Si la puerta se abre mientras la lavadora se encuentra en **DELAY** (retardo), el tiempo de cuenta regresiva continuará realizando la cuenta regresiva del tiempo de retardo. Si la puerta no se cierra y el tiempo de cuenta regresiva se termina, el ciclo no comenzará hasta que se cierre la puerta y se presione el botón **START/PAUSE** (inicio/pausa).

■ Se puede retardar el inicio de un ciclo de lavado hasta 18 horas.

La luz del botón se encenderá cuando **DELAY START** esté funcionando.

10

**TEMP****SPIN****Lock (Bloquear)**

Puede bloquear los controles para impedir que se realice cualquier selección. O bien puede bloquear los controles después de haber iniciado un ciclo.

Con esta opción seleccionada, los niños no podrán poner en marcha la lavadora de manera fortuita aunque toquen el panel.

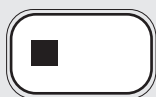
Para bloquear la lavadora, presione y sostenga los botones **TEMP** y **SPIN** al mismo tiempo durante 3 segundos.

Para desbloquear los controles de la lavadora, presione y sostenga los botones **TEMP** y **SPIN** al mismo tiempo durante 3 segundos. Se escuchará un sonido que indica la condición de bloqueado/desbloqueado.

El icono de bloqueo de los controles que aparece en la pantalla se encenderá cuando esté activado.

**NOTA:** El botón **POWER** (encendido/apagado) puede seguir utilizándose cuando la lavadora está bloqueada.

11

**MY CYCLE****HOLD 3 SECONDS TO STORE****My Cycle (Mi ciclo)**

Para guardar el ciclo que prefiera, establezca los valores deseados para los ajustes de ciclo de lavado, nivel de suciedad, velocidad de giro y temperatura de lavado y mantenga pulsado el botón **MY CYCLE** (Mi ciclo) durante 3 segundos. Sonará un pitido para indicar que el ciclo se ha guardado.

Para utilizar el ciclo personalizado, pulse el botón **MY CYCLE** antes de lavar una carga.

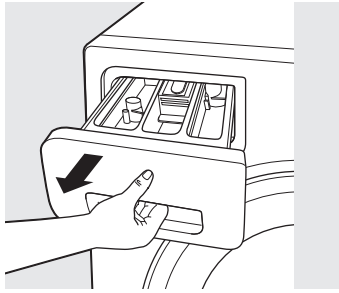
Para cambiar el ciclo guardado, establezca los valores deseados y mantenga pulsado el botón **MY CYCLE** durante 3 segundos.

**NOTA:** Al utilizar **MY CYCLE**, no se pueden modificar las opciones de lavado una vez que comience el ciclo.

**NOTA:** Si cambia las opciones de lavado con **MY CYCLE** antes de que el ciclo comience, el indicador de **MY CYCLE** se apagará y volverá al ciclo base.



## Acerca de las funciones de la lavadora.



### Depósito de detergente

Abra lentamente el depósito de detergente tirando de él hasta que se detenga.

Tras añadir los productos de lavado, ciérrelo despacio. Si cierra el depósito demasiado rápido, puede provocar que la lejía, el suavizante o el detergente se administren antes de tiempo.

Es posible que observe agua en los compartimentos de lejía y suavizante al final del ciclo. Este es el resultado de la acción de trasvase y forma parte del funcionamiento normal de la lavadora.

Use sólo detergente de alta eficiencia HE.



Recipiente para detergente – Úselo para detergente líquido



Cavidad para detergente – Úselo para detergente en polvo

### Compartimento para el detergente

■ Sólo use detergente de alta eficiencia en esta lavadora. Utilice la cantidad recomendada por el fabricante del detergente. NO sobrepase la línea MAX de llenado.

El depósito de detergente se encuentra en el lado izquierdo del cajón dosificador. La cavidad para detergente (sin el recipiente) se utiliza para detergente en polvo y el recipiente para detergente se utiliza para detergente líquido.

■ **Detergente en polvo** – Quite el recipiente para detergente y vierta la cantidad sugerida de detergente en polvo dentro de la cavidad para detergente.

■ **Detergente líquido** – Deje el recipiente para detergente en el cajón y vierta detergente líquido dentro del recipiente. No sobrepase la línea MAX de llenado.

■ Añada la medida de detergente al compartimento de detergente delantero izquierdo del depósito.


■ El detergente se añade desde el depósito al comienzo del ciclo de lavado. Puede utilizarse detergente de alta eficiencia en polvo o líquido.

■ Es posible que haya que ajustar el uso de detergente a la temperatura del agua, a la dureza de la misma, al tamaño y al nivel de suciedad de la carga. Evite utilizar demasiado detergente en la lavadora ya que puede producir demasiado jabón y dejar restos en las prendas.



Compartimento para lejía líquida

### Compartimento para lejía líquida

Si lo desea, mida la cantidad recomendada de lejía líquida, que no sobrepase 1/3 del recipiente (80 ml) y viértala en el compartimento central con la etiqueta "Liquid Bleach" (Lejía líquida) marcado con este símbolo .

Se recomienda el uso de lejía de alta eficiencia (HE) con esta lavadora de carga frontal.

No sobrepase la línea de llenado máximo. Un llenado excesivo puede hacer que la lejía se administre demasiado pronto y, como resultado, dañe las prendas.

**NOTA:** No utilice lejía en polvo en el depósito.



Compartimento para el suavizante

### Compartimento para el suavizante

Si lo desea, vierta la cantidad recomendada de suavizante líquido en el compartimento con la etiqueta "Fabric Softener" (suavizante). Utilice sólo suavizante líquido en el depósito.

Dilúyalo con agua hasta la línea de llenado máximo.

No sobrepase la línea de llenado máximo. Un llenado excesivo puede hacer que el suavizante se administre demasiado pronto y manche las prendas.

**NOTA:** No vierta directamente el suavizante sobre la carga.

# Carga y uso de la lavadora.

Siga siempre las indicaciones de la etiqueta de cuidado del tejido del fabricante en el lavado y el planchado. [GEAppliances.com](http://GEAppliances.com)

## Separación de cargas

| Colores                 | Suciedad | Tejido                         | Pelusas                                |
|-------------------------|----------|--------------------------------|--|
| Ropa blanca             | Mucha    | Prendas delicadas              | Prendas que sueltan pelusa             |
| Ropa de colores claros  | Normal   | Prendas de fácil cuidado       | Prendas a las que se adhiere la pelusa |
| Ropa de colores oscuros | Poca     | Prendas resistentes de algodón |  |

- Combine las prendas grandes y pequeñas en cada carga. Cargue primero las prendas grandes. Las prendas grandes no deben representar más de la mitad de la carga total de lavado.
- No se recomienda lavar prendas sueltas. Esto puede producir una carga desequilibrada. Añada una o dos prendas similares.
- Las almohadas y los edredones no deben mezclarse con otras prendas. Esto puede producir una carga desequilibrada.
- Separe las prendas de colores oscuros de las de colores claros para evitar la transferencia de colores. Esta es una lavadora de alta eficiencia, que usa menos agua, por lo que la transferencia de colores resulta más común.



## Carga de la lavadora

Puede que el tambor de la lavadora esté totalmente lleno con prendas sueltas que se añadan. **No lave prendas que contengan materiales inflamables (ceras, líquidos de limpieza, etc.).**

Para añadir prendas una vez que la lavadora esté en marcha, pulse **START/PAUSE** (iniciar/pausa) y espere hasta que se desbloquee la puerta. La lavadora puede

tardar unos 30 segundos en desbloquear la puerta después de pulsar **START/PAUSE**, dependiendo de las condiciones de la misma. No intente forzar la puerta para abrirla cuando esté bloqueada. Una vez que se desbloquee, ábrala con cuidado. Añada prendas, cierre la puerta y pulse **START/PAUSE** para reiniciar el funcionamiento.

# Carga y uso de la lavadora.

Instrucciones de seguridad

Instrucciones de funcionamiento

Instrucciones de instalación

Consejos para la solución de problemas

Soporte al consumidor



## Cuidado y limpieza/Mantenimiento general

**Exterior:** Limpie inmediatamente cualquier vertido. Limpie con un paño húmedo. Limpie los derrames o compuestos de limpieza con un paño húmedo. El panel de control y los acabados de la lavadora pueden resultar dañados por productos utilizados como tratamiento previo al lavado y removedores de manchas. Aplique estos productos lejos de la lavadora. La tela luego puede lavarse y secarse de manera normal. Los daños provocados a su lavadora por estos productos no están cubiertos por la garantía. No aplique objetos afilados a la superficie.

**Interior:** Seque alrededor de la abertura de la puerta de la lavadora, así como la junta obturadora elástica (incluidas las tuberías conectadas) y el cristal de la puerta. Estas zonas deben estar siempre limpias para garantizar un sellado hermético frente al agua.

Se recomienda enjuagar la lavadora por lo menos una vez por mes con 1 taza de lejía (u otro producto disponible comercialmente fabricado con ese objetivo, como el limpiador de lavadoras Tide®) vertida dentro de la sección de prelavado del dosificador (sin prendas) utilizando el ciclo **BASKET CLEAN** (limpieza de tambor) (se encuentra dentro del menú de ciclos especiales).

**Desplazamiento y almacenamiento:** Pida al técnico de servicio que elimine el agua de las tuberías y la bomba de desagüe. No guarde la lavadora en un lugar donde esté expuesta a las inclemencias climáticas. Al mover la lavadora, la cuba debe mantenerse estable utilizando los pernos de transporte que se han extraído durante la instalación. Consulte las Instrucciones de instalación en este manual. Si estas piezas no están disponibles, se pueden solicitar a través del sitio Web [GEAppliances.com](http://GEAppliances.com) o llamando al 800.GE.CARES.

**Largas vacaciones:** Asegúrese de cortar el agua de todas las llaves de paso. Vacíe todas las tuberías de agua si la temperatura va a encontrarse por debajo de punta de congelación.

### Cómo limpiar el filtro de la bomba

Debido a la naturaleza de la lavadora de carga frontal, es posible que a veces pasen partículas pequeñas a la bomba. La lavadora cuenta con un filtro de captura de elementos perdidos para que no caigan en el drenaje. Para recuperar los elementos perdidos, limpie el filtro de la bomba.

1. Con un cuchillo o destornillador ranurado, abra la puerta en el extremo inferior derecho del frente de la unidad.
2. Gire la tapita blanca en sentido contrario a las agujas del reloj en 1/4 de giro y desenganche la manguera de goma. Tire la manguera del orificio y quite la tapa de la manguera de drenaje sobre un recipiente pequeño para retener el agua que salga. Drene el agua que sobre. Vuelva a colocar.
3. Desenrosque el filtro de la bomba. Enjuague. Vuelva a colocar.
4. Cierre la puerta de acceso.

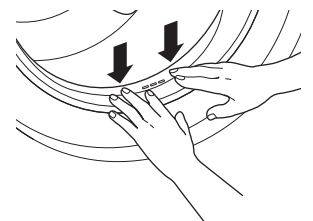


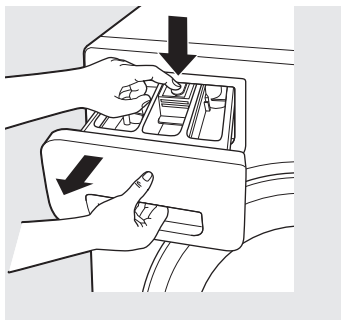
### Cómo limpiar la junta de la puerta

Abra la puerta de la lavadora. Usando ambas manos, presione la junta de la puerta hacia abajo. Quite los objetos extraños que encuentre atrapados dentro de la junta. Asegúrese de que no haya ningún objeto bloqueando los orificios ubicados detrás de la junta.

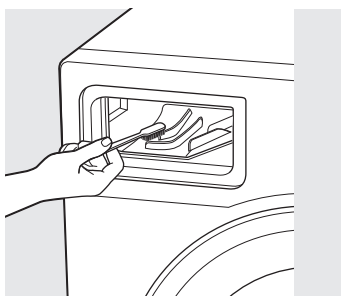
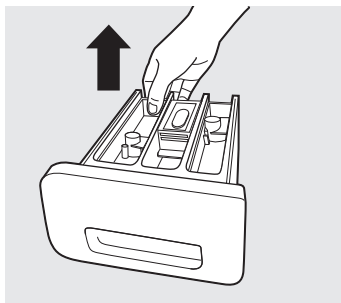
Mientras presiona la junta de la puerta hacia abajo, inspeccione la junta interior jalándola hacia abajo con los dedos. Quite los objetos extraños que encuentre atrapados dentro de esta junta. Asegúrese de que no haya ningún objeto bloqueando los orificios ubicados detrás de la junta.

Cuando haya terminado de limpiar la junta de la puerta, quite las manos y las juntas volverán a la posición de funcionamiento.





La lengüeta de bloqueo sólo es visible tras sacar el depósito



**Zona del depósito de detergente:** El detergente y el suavizante pueden acumularse en el depósito de detergente. Los residuos deben eliminarse una o dos veces al mes.

- Saque el depósito tirando de él hasta que se detenga. Luego acerque la mano a la parte central trasera de la cavidad del cajón y presione firmemente sobre la lengüeta de bloqueo, quitando el cajón.

- Quite todos los recipientes y accesorios del cajón dosificador. Enjuague los accesorios, recipientes y cajón con agua caliente para quitar los restos acumulados de productos de lavado.

- Para limpiar la abertura del depósito, utilice un cepillo pequeño a fin de limpiar el hueco. Retire todos los restos de las partes superior e inferior del hueco.
- Vuelva a colocar las piezas en los compartimentos correspondientes. Introduzca de nuevo el depósito de detergente.

- Para reducir la acumulación en la zona del depósito de detergente:

**Use sólo detergente de alta eficiencia HE.**



# Carga y uso de la lavadora.

Instrucciones de seguridad

Instrucciones de funcionamiento

Instrucciones de instalación

Consejos para la solución de problemas

Soporte al consumidor



## Etiquetas de cuidado de tejido

A continuación se muestran "símbolos" de etiquetas de cuidado de tejido que afectan a las prendas que se lavan.

### ETIQUETAS DE LAVADO

|                                   |                          |   |                            |              |         |            |
|-----------------------------------|--------------------------|---|----------------------------|--------------|---------|------------|
| <b>Ciclo de lavado en máquina</b> |                          |   |                            |              |         |            |
|                                   | Normal                   | Planchado permanente/<br>resistente a arrugas | Suave/<br>delicado         | Lavar a mano | No lave | No escurra |
| <b>Temperatura del agua</b>       |                          |   |                            |              |         |            |
|                                   | Caliente<br>(50°C/120°F) | Tibia<br>(40°C/105°F)                         | Fría/fresca<br>(30°C/85°F) |              |         |            |

### ETIQUETAS DE LEJÍA

|                                |   |  |                    |
|--------------------------------|---|--|--------------------|
| <b>Símbolos de blanqueador</b> |   |  |                    |
|                                | Cualquier blanqueador<br>(cuando se necesita) | Sólo blanqueador sin cloro<br>(cuando se necesita) | No use blanqueador |

### ETIQUETAS DE DETERGENTES

|  |  |
|--|--|
|  | Use sólo detergente de alta eficiencia HE. |
|--|--|

# Instrucciones de instalación

# Lavadora

Modelos  
WCVH4800, WCVH4815

Si tiene alguna pregunta, llame a 800.GE.CARES (800.432.2737) o visite nuestro sitio Web en: [GEAppliances.com](http://GEAppliances.com)

## ANTES DE COMENZAR

Lea detenidamente todas las instrucciones.

- **IMPORTANTE** – Guarde estas instrucciones para uso del inspector local.
- **IMPORTANTE** – Cumpla todos los códigos y ordenanzas regulatorias.
- **Nota al instalador** – Asegúrese de dejar estas instrucciones al usuario.
- **Nota al usuario** – guarde estas instrucciones para consultas futuras.
- **Nivel de habilidad** – la instalación de este electrodoméstico requiere habilidades mecánicas y eléctricas básicas.
- **Duración** – de 1 a 3 horas
- La instalación adecuada es responsabilidad del instalador.
- La garantía no cubre fallas producidas por la instalación inadecuada del producto.

## PARA SU SEGURIDAD:

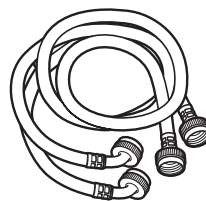
### ⚠ ADVERTENCIA

- Este electrodoméstico se debe conectar a tierra e instalar correctamente tal y como se describe en estas *Instrucciones de instalación*.
- No instale ni guarde este electrodoméstico en una zona en la que esté expuesto al agua o al exterior. Consulte la sección *Ubicación de la lavadora*.
- **NOTA:** Este electrodoméstico debe estar correctamente conectado a tierra y la corriente eléctrica de la lavadora debe cumplir los códigos y ordenanzas locales, así como la última edición del Código eléctrico nacional, ANSI/NFPA 70.

## HERRAMIENTAS NECESARIAS PARA LA INSTALACIÓN DE LA LAVADORA

- Llave (provista)
- Alicates ajustables Channel-lock
- Nivel de carpintero

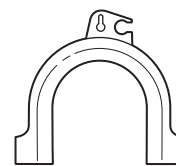
## PIEZAS INCLUIDAS



Tuberías de agua (2)



Llave



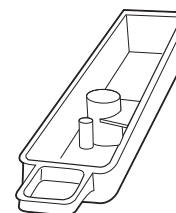
Guía de tuberías



Accesorios para manguera (4)



Tapones para orificios de pernos de embalaje (5)



Recipiente para detergente

# Instrucciones de instalación

## UBICACIÓN DE LA LAVADORA

### No instale la lavadora:

1. En un área expuesta a goteras o a las condiciones del exterior. La temperatura ambiente no debe ser nunca inferior a 60°F (15,6°C) para que la lavadora funcione correctamente.
2. En una zona en la que pueda entrar en contacto con cortinas u otras telas.
3. Sobre una alfombra. El suelo DEBE ser una superficie dura con una inclinación máxima de 1/2" por pie (1,27 cm por cada 30 cm). Para asegurarse de que la lavadora no vibre ni se mueva, es posible que tenga que reforzar el suelo.

**NOTA:** Si el suelo se encuentra en mal estado, utilice una plancha con 3/4" de contrachapado bien fija al revestimiento existente en el suelo.

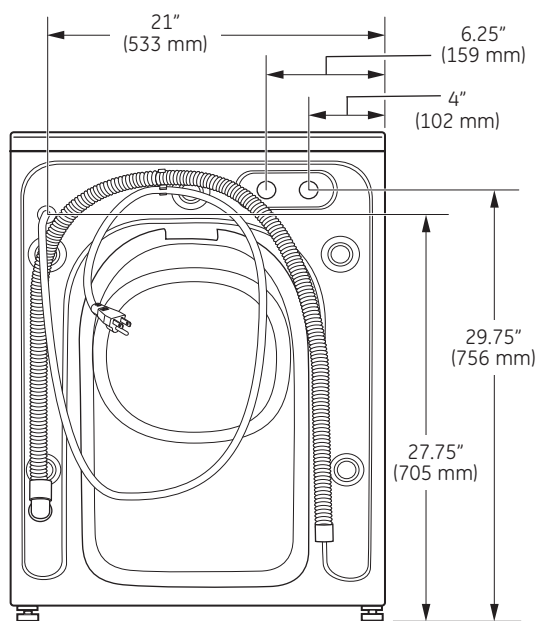
### IMPORTANTE:

### Distancias mínimas de separación para la instalación

- Cuando se instale en alcoba: costados, parte trasera, parte superior = 0" (0 cm)
- Cuando se instale en un armario: costados, parte trasera, parte superior = 0" (0 cm), parte delantera = 1" (2,54 cm)
- Aberturas de ventilación necesarias en la puerta del armario:  
2 listones, cada uno de 60 pulgadas cuadradas (387 cm<sup>2</sup>), situados a 3" (7,6 cm) de las partes superior e inferior de la puerta

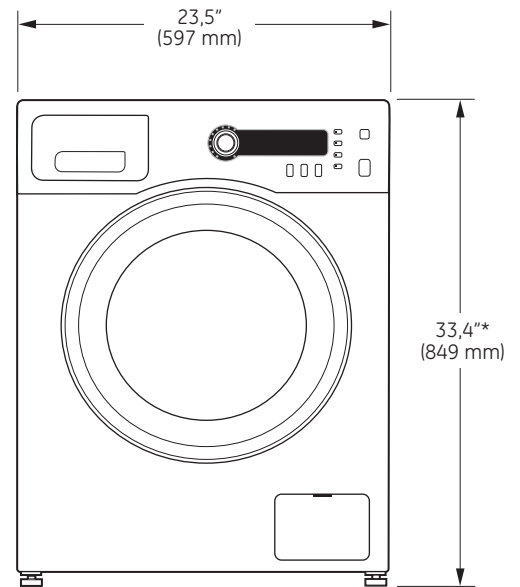
## DIMENSIONES DE LOS CONTRATISTAS

### PARTE POSTERIOR

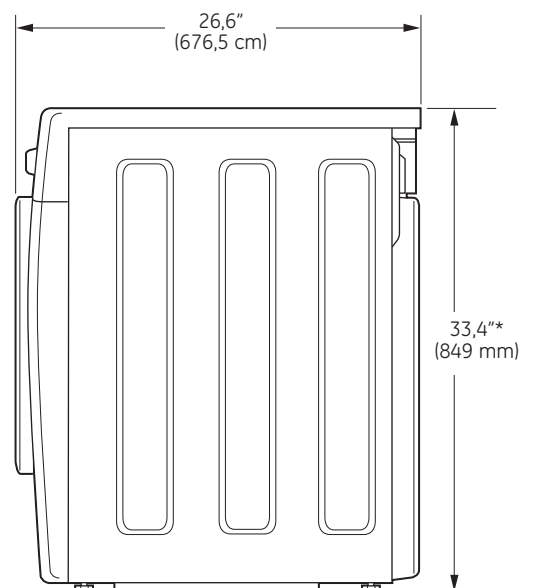


## DIMENSIONES APROXIMADAS

### PARTE DELANTERA



### COSTADO



### \*NOTE:

Las patas de la lavadora tienen una capacidad de ajuste de 0.75" (19 mm).

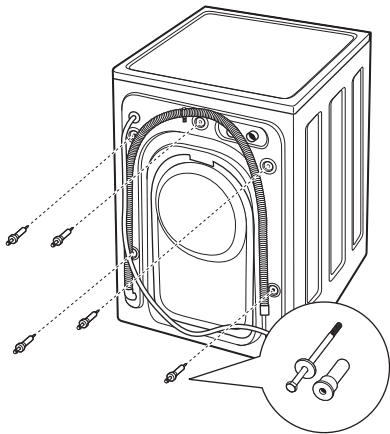
Apilada: 67,7" (171,8 cm)

# Instrucciones de instalación

## DESEMBALAJE DE LA LAVADORA

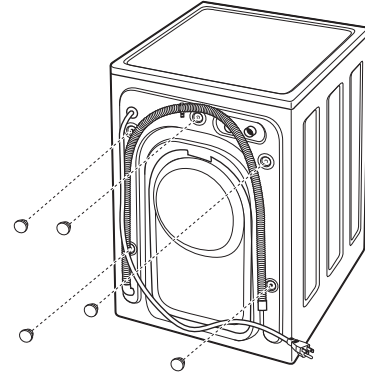
**⚠ ADVERTENCIA:** Recicle o deseche la caja de cartón y las bolsas de plástico una vez que haya desembalado la lavadora. Mantenga estos materiales fuera del alcance de los niños, pues éstos podrían utilizarlos para jugar. Las cajas de cartón cubiertas con mantas, colchas o láminas de plástico pueden convertirse en cámaras de aire herméticas y producir asfixia.

1. Corte y elimine todas las cintas de embalaje.
2. Mientras se encuentre dentro de la caja, coloque con cuidado la lavadora sobre el costado de la misma. NO la tumbé por la parte delantera ni trasera.
3. Abra las tapas inferiores y retire todo el embalaje de la base, incluido la base de la cuba de espuma de poliestireno.
4. Vuelva a levantar la lavadora con cuidado y retire la caja de cartón.
5. Desplace poco a poco la lavadora hasta 4 pies (122 cm) de su ubicación definitiva.
6. Quite las siguientes piezas de la parte trasera de la lavadora:
  - 5 pernos
  - 5 separadores de plástico (incluidas las arandelas de goma)



## DESEMBALAJE DE LA LAVADORA (cont.)

7. Introduzca los tapones para orificios de pernos de embalaje en los orificios.



### NOTAS:

- Si se retiran incorrectamente los pernos de transporte, puede que la lavadora se vea gravemente desequilibrada.
- Guarde todos los pernos para uso futuro.
- Si necesitara transportar la lavadora posteriormente, debe volver a colocar las piezas de sujeción para el transporte con el fin de evitar daños durante el mismo. Guarde dichas piezas en la bolsa de plástico que se incluye.



# Instrucciones de instalación

## REQUISITOS ELÉCTRICOS

Lea detenidamente todas las instrucciones.

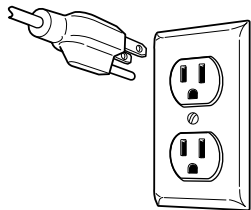
**⚠ ADVERTENCIA**—PARA MINIMIZAR EL RIESGO DE INCENDIO, DESCARGA ELÉCTRICA O LESIONES PERSONALES:

- **NO USE UN ENCHUFE ADAPTADOR O UN CABLE DE EXTENSIÓN CON ESTE ELECTRODOMÉSTICO.** La lavadora debe ser conectado a tierra de acuerdo con todos los códigos y ordenanzas locales o, a falta de normativa local, con el Código eléctrico nacional (National Electrical Code) ANSI/NFPA NO. 70.

**CIRCUITO** – circuito derivado de 15 amperios individual, correctamente polarizado y conectado a tierra, con interruptor o fusible de retardo de 15 amperios.

**ALIMENTACIÓN ELÉCTRICA** – corriente alterna de 60 Hz, monofásica, de 120 voltios, con conexión a tierra, bifilar.

**RECEPTÁCULO DE SALIDA** – receptáculo correctamente conectado a tierra con 3 clavijas, situado de forma que se pueda acceder al cable de alimentación cuando la lavadora esté instalada.



## REQUISITOS DE CONEXIÓN A TIERRA

**⚠ ADVERTENCIA:** La conexión incorrecta del conductor de tierra del equipo puede causar riesgos de descargas eléctricas. Consulte a un electricista calificado si tiene dudas acerca de la conexión a tierra correcta del electrodoméstico.

1. La lavadora **DEBE** estar conectada a tierra. En caso de un mal funcionamiento o avería, la conexión a tierra reducirá el riesgo de descargas eléctricas al proporcionar un recorrido de resistencia mínima a la corriente eléctrica.
2. Debido a que la lavadora está equipada con un cable de alimentación que tiene un conductor para conexión a tierra y una clavija de conexión a tierra, la clavija se **DEBE** enchufar en el receptáculo de hilo de cobre apropiado que se haya instalado y conectado a tierra correctamente de acuerdo con todos los códigos y ordenanzas locales o, a falta de normativa local, con el Código eléctrico nacional, ANSI/NFPA 70 (última edición). En caso de duda, llame a un electricista calificado. **NO** corte ni modifique la clavija de conexión a tierra del cable de alimentación. En situaciones en las que exista un receptáculo de dos ranuras, es responsabilidad del propietario que un electricista calificado lo sustituya por un **receptáculo apropiado de tipo de conexión a tierra** para tres clavijas.

## REQUISITOS DE SUMINISTRO DE AGUA

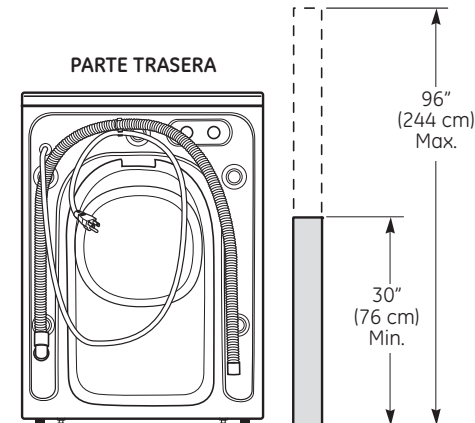
Las llaves de paso de agua caliente y fría **DEBEN** encontrarse a 42 pulgadas (107 cm) como máximo de la toma de agua de la lavadora. Las llaves de paso **DEBEN** ser de 3/4" (1.9 cm) y tipo jardín para que se puedan conectar las tuberías de entrada. La presión del agua **DEBE** estar entre 10 y 120 libras por pulgada cuadrada. La compañía de agua puede informarle de la presión del agua. La temperatura del agua caliente se debe establecer para suministrar agua a una temperatura de entre 120° y 140°F (48°– 60°C) para brindar un desempeño adecuado del control automático de temperatura (ATC).

## REQUISITOS DE DESAGÜE

1. Desagüe capaz de eliminar 17 galones (64,3 l) por minuto.
2. Diámetro mínimo de tubería vertical de 1 1/4" (3,18 cm).
3. La altura de la tubería vertical desde el suelo debe ser:

Altura mínima: 24" (61 cm)  
Altura máxima: 96" (244 cm)

Para lograr una altura de desagüe mayor a 58", hasta un máximo de 96", debe adquirirse un kit de mantenimiento a través de GE Service (WH49X301).

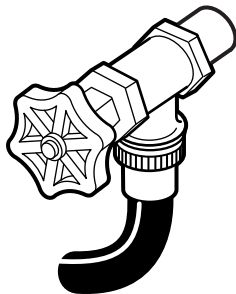
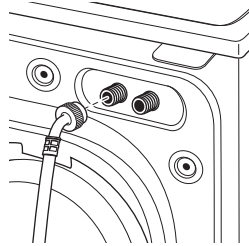


**NOTA:** La tubería de desagüe de la lavadora puede alcanzar la altura de una tubería vertical de 58" (147 cm). Para una tubería vertical más alta, póngase en contacto con un distribuidor de piezas autorizado.

# Instrucciones de instalación

## INSTALACIÓN DE LA LAVADORA

1. Deje correr un poco de agua de los grifos de agua caliente y fría para purgar las tuberías de agua y eliminar las partículas que puedan obstruir los filtros de la válvula de agua.
2. Saque las tuberías de entrada de la bolsa de plástico. Quite las arandelas negras de goma de la bolsa y colóquelas dentro del accesorio de la manguera antes de conectar la unidad.
3. (Extremo acodado de 90°)  
Conecte con cuidado la tubería de entrada marcada con HOT (Caliente) a la salida "H" exterior de la válvula de agua. Apriete con la mano y, a continuación, apriete 2/3 de vuelta con los alicates. Conecte con cuidado la otra tubería de entrada a la salida "C" interior de la válvula de agua. Apriete con la mano y, a continuación, apriete 2/3 de vuelta con los alicates. **No pase las roscas ni apriete excesivamente estas conexiones.**
4. Conecte los extremos de la tubería de entrada a las tomas de agua CALIENTE y FRÍA ajustándolos con la mano y, a continuación, apriete de nuevo 2/3 de vuelta con los alicates. Abra la llave de paso y compruebe que no hay ninguna fuga.

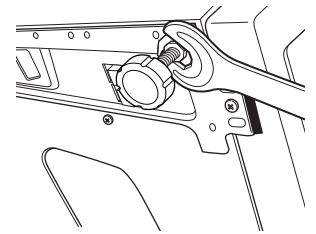


5. Desplace la lavadora con cuidado hasta su ubicación final. Mueva suavemente la lavadora para situarla en su lugar. Es importante no dañar las patas niveladoras de caucho al trasladar su lavadora a su ubicación final. Si las patas se dañan podría aumentar la vibración de la lavadora. Podría ser útil rociar el piso con limpiador para ventanas a fin de trasladar más fácilmente su lavadora a su ubicación final. **NOTA: Para reducir la vibración, asegúrese de que cada una de las cuatro patas niveladoras estén en contacto con el piso. Empuje y tire de la parte posterior derecha y luego de la parte posterior izquierda de su lavadora.**

**NOTA:** No utilice el depósito de detergente ni la puerta para levantar la lavadora.

**NOTA:** Si se instala en un depósito de desagüe, puede utilizar una tabla 2x4 de 24 pulgadas de longitud para colocar la lavadora en su lugar haciendo palanca.

6. Una vez situada la lavadora en su posición final, coloque un nivel en la parte superior de la misma (si está instalada debajo de un contador, la lavadora no debería vibrar). Ajuste las patas niveladoras delanteras hacia arriba o hacia abajo para asegurarse que la lavadora se apoya en una superficie sólida. Gire las contratuercas de cada pata hacia la base de la lavadora y apriételas con una llave.



**NOTA: Mantenga la extensión de los soportes al mínimo para evitar una vibración excesiva. Cuanto más se extiendan las patas, más vibrará la lavadora.**

Si el suelo no está nivelado o está dañado, puede que sea necesario extender las patas niveladoras traseras.

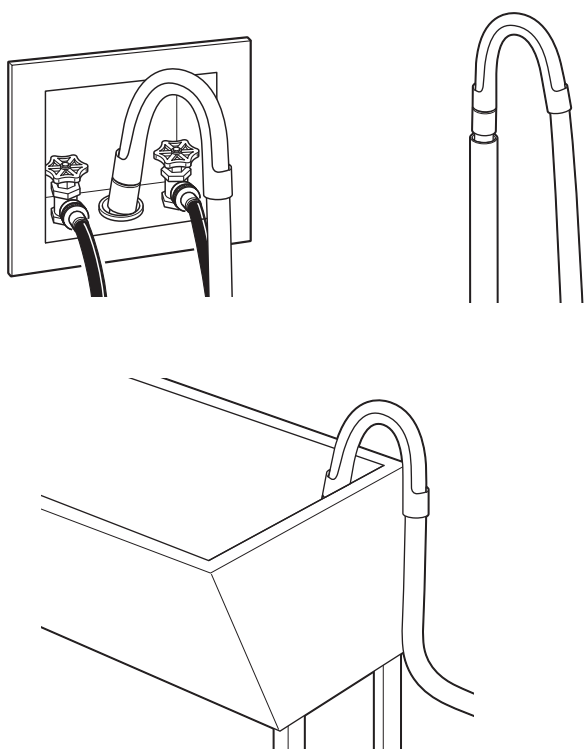
# Instrucciones de instalación

## INSTALACIÓN DE LA LAVADORA (cont.)

7. Coloque la guía de la tubería en forma de U en el extremo de la tubería de desagüe. Coloque la tubería en una pila de lavar o tubería vertical.

**NOTA:** Si la tubería de desagüe se coloca en una tubería vertical que no tiene forma de U, se puede producir un efecto sifón. Debe haber un espacio de aire alrededor de la tubería de desagüe. Una tubería demasiado ajustada también puede producir un efecto de sifón.

8. Enchufe el cable de alimentación en una salida de conexión a tierra.



**NOTA:** Asegúrese de que la alimentación esté cortada en un interruptor/caja de fusibles antes de enchufar el cable de alimentación a una toma de corriente.

9. Conecte la alimentación a un interruptor/caja de fusibles.
10. Lea el resto del Manual del propietario. Contiene información valiosa y útil que supondrá un ahorro de tiempo y dinero.

### 11. Antes de poner en funcionamiento la lavadora, asegúrese de comprobar lo siguiente:

- La alimentación está conectada.
- La lavadora está enchufada.
- Las llaves de paso están abiertas.
- La lavadora está nivelada y que cada una de las cuatro patas niveladoras estén en contacto con el piso.
- Las piezas de sujeción para el transporte se han quitado y guardado.
- La tubería de desagüe se ha asegurado correctamente.
- No existe ninguna fuga en la llave de paso, la tubería de desagüe ni la lavadora.

12. Ponga en funcionamiento la lavadora en un ciclo completo. Compruebe que no haya fugas de agua y que funcione correctamente.
13. Si la lavadora no funciona, revise la sección *Antes de llamar al servicio de asistencia técnica* antes de ponerse en contacto con el servicio de asistencia técnica.
14. Coloque las instrucciones en un lugar próximo a la lavadora para futuras consultas.

## PIEZAS DE REPUESTO

Si se necesitan piezas de repuesto para la lavadora, se pueden solicitar en Estados Unidos a través del sitio Web [GEAppliances.com](http://GEAppliances.com) o llamando a 800.GE.CARES.



Consejos para la solución de problemas  
¡Ahorre tiempo y dinero! Consulte primero las tablas de las páginas siguientes y quizás no necesite llamar al servicio de asistencia técnica.

| Problema                           | Causas posibles  | Solución   |
|------------------------------------|--|--|
| <b>La lavadora no gira o agita</b> | <b>La tubería de desagüe está torcida o no se ha conectado correctamente</b>   | <ul style="list-style-type: none"> <li>• Enderece la tubería de desagüe y asegúrese de que la lavadora no está situada sobre la misma.</li> </ul>  |
|                                    | <b>Puede que la tubería de desagüe de la vivienda esté obstruida</b>   | <ul style="list-style-type: none"> <li>• Compruebe las tuberías de la vivienda. Puede que sea necesario llamar a un plomero.</li> </ul>  |
|                                    | <b>La manguera de drenaje está un sifón; la manguera de drenaje fue introducida de manera demasiado profunda en el drenaje</b> | <ul style="list-style-type: none"> <li>• Asegúrese de que haya un espacio de aire entre la manguera y el drenaje.</li> </ul>   |
|                                    | <b>El filtro de la bomba de la lavadora podría estar obstruido</b>   | <ul style="list-style-type: none"> <li>• Limpie el filtro de la bomba – Abra la puerta de acceso de la bomba (utilice una moneda) y quite el filtro de la bomba girándolo en sentido contrario a las agujas del reloj y jalando hacia fuera. Limpie el filtro, quitando todos los residuos sueltos, y vuelva a colocar el filtro en su lugar.</li> </ul> |
|                                    | <b>La carga se encuentra desbalanceada</b>   | <ul style="list-style-type: none"> <li>• Redistribuya las prendas y realice un ciclo drain &amp; spin (drenar y girar) o rinse &amp; spin (enjuagar y girar).</li> <li>• Aumente el tamaño de la carga si va a lavar una carga pequeña compuesta de elementos pesados y livianos.</li> </ul>   |
| <b>Fugas de agua</b>               | <b>La junta de la puerta está dañada</b>   | <ul style="list-style-type: none"> <li>• Revise que la junta esté colocada en su sitio y que no se haya roto. Los objetos dejados en los bolsillos podrían causar daños a la lavadora (clavos, tornillos, lápices, bolígrafos).</li> </ul>   |
|                                    | <b>La junta de la puerta no está dañada</b>  | <ul style="list-style-type: none"> <li>• El agua podría gotear de la puerta cuando la misma está abierta. Esto forma parte del funcionamiento normal.</li> </ul>   |
|                                    | <b>Revise la parte posterior izquierda de la lavadora para verificar si hay presencia de agua</b>                              | <ul style="list-style-type: none"> <li>• Si esta área se encuentra mojada, existe una condición de espuma excesiva. Utilice menos cantidad de detergente.</li> </ul>   |
|                                    | <b>Las tuberías de toma de agua o la tubería de desagüe no se han conectado correctamente</b>                                  | <ul style="list-style-type: none"> <li>• Asegúrese de que se han apretado correctamente las conexiones de las tuberías de la lavadora y las llaves de paso y que el extremo de la tubería de desagüe se ha introducido y fijado correctamente al desagüe.</li> </ul>   |
|                                    | <b>Puede que la tubería de desagüe de la vivienda esté obstruida</b>   | <ul style="list-style-type: none"> <li>• Compruebe las tuberías de la vivienda. Puede que sea necesario llamar a un plomero.</li> </ul>  |
| <b>No se desagua</b>               | <b>La tubería de desagüe está torcida o no se ha conectado correctamente</b>   | <ul style="list-style-type: none"> <li>• Enderece la tubería de desagüe y asegúrese de que la lavadora no está situada sobre la misma.</li> </ul>  |
|                                    | <b>Puede que la tubería de desagüe de la vivienda esté obstruida</b>   | <ul style="list-style-type: none"> <li>• Compruebe las tuberías de la vivienda. Puede que sea necesario llamar a un plomero.</li> </ul>  |
|                                    | <b>La manguera de drenaje está un sifón; la manguera de drenaje fue introducida de manera demasiado profunda en el drenaje</b> | <ul style="list-style-type: none"> <li>• Asegúrese de que haya un espacio de aire entre la manguera y el drenaje.</li> </ul>   |
|                                    | <b>El filtro de la bomba de la lavadora podría estar obstruido</b>   | <ul style="list-style-type: none"> <li>• Limpie el filtro de la bomba – Abra la puerta de acceso de la bomba (utilice una moneda) y quite el filtro de la bomba girándolo en sentido contrario a las agujas del reloj y jalando hacia fuera. Limpie el filtro, quitando todos los residuos sueltos, y vuelva a colocar el filtro en su lugar.</li> </ul> |

## Antes de llamar al servicio de asistencia técnica...

Instrucciones de seguridad

Instrucciones de funcionamiento

Instrucciones de instalación

Consejos para la solución de problemas

Soporte al consumidor

| Problema   | Causa posible  | Solución   |
|--|--|--|
| La lavadora no centrifuga                        | La tubería de desagüe está torcida o no se ha conectado correctamente  | <ul style="list-style-type: none"> <li>Enderece la tubería de desagüe y asegúrese de que la lavadora no está situada sobre la misma.</li> </ul>  |
|  | Puede que la tubería de desagüe de la vivienda esté obstruida  | <ul style="list-style-type: none"> <li>Compruebe las tuberías de la vivienda. Puede que sea necesario llamar a un plomero.</li> </ul>  |
|  | La manguera de drenaje está un sifón; la manguera de drenaje fue introducida de manera demasiado profunda en el drenaje  | <ul style="list-style-type: none"> <li>Asegúrese de que haya un espacio de aire entre la manguera y el drenaje.</li> </ul>   |
|  | El filtro de la bomba de la lavadora podría estar obstruido  | <ul style="list-style-type: none"> <li>Limpie el filtro de la bomba – Abra la puerta de acceso de la bomba (utilice una moneda) y quite el filtro de la bomba girándolo en sentido contrario a las agujas del reloj y jalando hacia fuera. Limpie el filtro, quitando todos los residuos sueltos, y vuelva a colocar el filtro en su lugar.</li> </ul>                         |
|  | La carga se encuentra desbalanceada  | <ul style="list-style-type: none"> <li>Redistribuya las prendas y realice un ciclo drain &amp; spin (drenar y girar) o rinse &amp; spin (enjuagar y girar).</li> <li>Aumente el tamaño de la carga si va a lavar una carga pequeña compuesta de elementos pesados y livianos.</li> </ul>   |
| Ciclo o temporizador incompleto                  | El motor se ha recalentado   | <ul style="list-style-type: none"> <li>El motor de la lavadora se detendrá si se recalienta. La lavadora se iniciará de nuevo automáticamente después de un período de enfriamiento de hasta 2 horas (si no se ha apagado manualmente).</li> </ul>   |
|  | La puerta está abierta   | <ul style="list-style-type: none"> <li>Asegúrese de que la puerta esté cerrada.</li> </ul>   |
|  | La tubería de desagüe está torcida o no se ha conectado correctamente  | <ul style="list-style-type: none"> <li>Enderece la tubería de desagüe y asegúrese de que la lavadora no está situada sobre la misma.</li> </ul>  |
|  | Puede que la tubería de desagüe de la vivienda esté obstruida  | <ul style="list-style-type: none"> <li>Compruebe las tuberías de la vivienda. Puede que sea necesario llamar a un plomero.</li> </ul>  |
|  | La manguera de drenaje está un sifón; la manguera de drenaje fue introducida de manera demasiado profunda en el drenaje  | <ul style="list-style-type: none"> <li>Asegúrese de que haya un espacio de aire entre la manguera y el drenaje.</li> </ul>   |
| Ruido fuerte o poco común; vibración o sacudidas | El filtro de la bomba de la lavadora podría estar obstruido  | <ul style="list-style-type: none"> <li>Limpie el filtro de la bomba – Abra la puerta de acceso de la bomba (utilice una moneda) y quite el filtro de la bomba girándolo en sentido contrario a las agujas del reloj y jalando hacia fuera. Limpie el filtro, quitando todos los residuos sueltos, y vuelva a colocar el filtro en su lugar.</li> </ul>                         |
|  | Redistribución automática de carga   | <ul style="list-style-type: none"> <li>El temporizador se detiene a 1 minuto, la máquina ha distribuido la carga una o dos veces. Esto forma parte del funcionamiento normal. No debe hacer nada; la máquina terminará el ciclo de lavado.</li> </ul>  |
|  | La lavadora se mueve   | <ul style="list-style-type: none"> <li>La lavadora está diseñada para desplazarse 1/4" para reducir las fuerzas transmitidas al piso. Este movimiento es normal.</li> </ul>  |
|  | Las patas de nivelación no se encuentran en contacto firme con el piso   | <ul style="list-style-type: none"> <li>Empuje y tire de la parte posterior derecha y luego posterior izquierda de su lavadora para asegurarse de que se encuentre nivelada. Si la lavadora no está nivelada, ajuste las patas niveladoras de caucho de modo que cada una quede en contacto firme con el piso. Su técnico instalador debería corregir este problema.</li> </ul> |
|  | Carga desbalanceada  | <ul style="list-style-type: none"> <li>Abra la puerta y redistribuya la carga manualmente. Para revisar la máquina, ejecute el ciclo de enjuague y giro sin carga. Si esto es normal, la causa del desbalance fue la carga.</li> </ul>   |
| Las prendas están demasiado mojadas              | No se quitaron los pernos de embalaje  | <ul style="list-style-type: none"> <li>Antes de usar la lavadora, deben quitarse los cinco (5) pernos de embalaje.</li> </ul>  |
|  | La tubería de desagüe está torcida o no se ha conectado correctamente  | <ul style="list-style-type: none"> <li>Enderece la tubería de desagüe y asegúrese de que la lavadora no está situada sobre la misma.</li> </ul>  |
|  | Puede que la tubería de desagüe de la vivienda esté obstruida  | <ul style="list-style-type: none"> <li>Compruebe las tuberías de la vivienda. Puede que sea necesario llamar a un plomero.</li> </ul>  |
|  | La manguera de drenaje está un sifón; la manguera de drenaje fue introducida de manera demasiado profunda en el drenaje  | <ul style="list-style-type: none"> <li>Asegúrese de que haya un espacio de aire entre la manguera y el drenaje.</li> </ul>   |
|  | El filtro de la bomba de la lavadora podría estar obstruido  | <ul style="list-style-type: none"> <li>Limpie el filtro de la bomba – Abra la puerta de acceso de la bomba (utilice una moneda) y quite el filtro de la bomba girándolo en sentido contrario a las agujas del reloj y jalando hacia fuera. Limpie el filtro, quitando todos los residuos sueltos, y vuelva a colocar el filtro en su lugar.</li> </ul>                         |
| La carga se encuentra desbalanceada              | <ul style="list-style-type: none"> <li>Redistribuya las prendas y realice un ciclo drain &amp; spin (drenar y girar) o rinse &amp; spin (enjuagar y girar).</li> <li>Aumente el tamaño de la carga si va a lavar una carga pequeña compuesta de elementos pesados y livianos.</li> </ul> |  |

| Problema   | Causa posible   | Solución   |
|--|---|--|
| No hay suministro eléctrico; la lavadora no está en funcionamiento | La tubería de desagüe está torcida o no se ha conectado correctamente   | <ul style="list-style-type: none"> <li>Enderece la tubería de desagüe y asegúrese de que la lavadora no está situada sobre la misma.</li> </ul>  |
|  | Puede que la tubería de desagüe de la vivienda esté obstruida   | <ul style="list-style-type: none"> <li>Compruebe las tuberías de la vivienda. Puede que sea necesario llamar a un plomero.</li> </ul>  |
|  | La manguera de drenaje se encuentra introducida de manera demasiado profunda en el drenaje  | <ul style="list-style-type: none"> <li>Asegúrese de que haya un espacio de aire entre la manguera y el drenaje.</li> </ul>   |
|  | El filtro de la bomba de la lavadora podría estar obstruido   | <ul style="list-style-type: none"> <li>Limpie el filtro de la bomba – Abra la puerta de acceso de la bomba (utilice una moneda) y quite el filtro de la bomba girándolo en sentido contrario a las agujas del reloj y jalando hacia fuera. Limpie el filtro, quitando todos los residuos sueltos, y vuelva a colocar el filtro en su lugar.</li> </ul>               |
|  | La lavadora está desconectada   | <ul style="list-style-type: none"> <li>Asegúrese de que el cable esté enchufado de manera segura en un enchufe funcional.</li> </ul>   |
|  | El suministro de agua está cerrado  | <ul style="list-style-type: none"> <li>Abra por completo las llaves de paso de agua fría y caliente.</li> </ul>  |
|  | El interruptor/fusible se ha quemado/saltado  | <ul style="list-style-type: none"> <li>Compruebe los interruptores/fusibles de la vivienda. Cambie los fusibles o restablezca el interruptor. La lavadora debe tener una toma individual.</li> </ul>   |
|  | Los controles no se han establecido correctamente   | <ul style="list-style-type: none"> <li>Mantenga pulsado el botón <b>START/PAUSE</b> (iniciar/pausa) para iniciar el ciclo.</li> </ul>  |
| Revisiones automáticas del sistema                                 | <ul style="list-style-type: none"> <li>La primera vez que se enchufa la lavadora, se efectúan las verificaciones automáticas. Podrían pasar hasta 20 segundos antes de que pueda utilizar su lavadora. Esto forma parte del funcionamiento normal.</li> </ul> |  |
| El agua no entra en la lavadora o entra lentamente                 | Revisiones automáticas del sistema  | <ul style="list-style-type: none"> <li>Después de pulsar <b>START</b> (iniciar), la lavadora realiza varias revisiones del sistema. Habrá flujo de agua varios segundos después de pulsar <b>START</b>.</li> </ul>   |
|  | Los filtros de la válvula de agua están obstruidos  | <ul style="list-style-type: none"> <li>Cierre la llave de paso y quite las tuberías de conexión de agua de la parte trasera superior de la lavadora. Utilice un cepillo o un palillo de dientes para limpiar los filtros de la lavadora. Vuelva a conectar las tuberías y abra la llave de paso.</li> </ul>  |
|  | El filtro se encuentra tapado o la manguera de llenado puede estar torcida  | <ul style="list-style-type: none"> <li>Asegúrese de que los filtros de la válvula de agua (el filtro azul y naranja deben estar libres de sólidos) de la unidad no estén tapados. Cierre el suministro de agua y verifique el filtro desconectando la manguera de la máquina. Verifique que las mangueras de llenado no se encuentren torcidas o tapadas.</li> </ul> |
|  | Eficiencia de energía   | <ul style="list-style-type: none"> <li>Esta es una lavadora con buen rendimiento de energía. Como resultado, las configuraciones de temperatura para esta lavadora pueden ser diferentes a las de una lavadora común sin esta característica.</li> </ul>   |
|  | Suministro de agua insuficiente   | <ul style="list-style-type: none"> <li>Asegúrese de que el suministro de agua esté accionado. Verifique que los grifos de agua estén abiertos por completo.</li> </ul>   |
|  | La puerta de la lavadora está abierta   | <ul style="list-style-type: none"> <li>La puerta de la lavadora debe estar cerrada durante todas las operaciones de ciclo de lavado. Si se abre la puerta durante una operación de lavado, todas las funciones se detendrán, incluyendo el ingreso de agua.</li> </ul>   |
|  | Conexión incorrecta de la manguera de llenado   | <ul style="list-style-type: none"> <li>Asegúrese de que las mangueras de llenado conecten el suministro de agua caliente a la entrada de agua caliente de la lavadora y el suministro de agua fría a la entrada de agua fría (caliente a caliente, fría a fría).</li> </ul>  |
|  | Optimización de llenado de agua   | <ul style="list-style-type: none"> <li>El agua puede no cubrir el nivel superior de las prendas. Esto es normal para una lavadora de alta eficiencia. El llenado de agua se ve optimizado por el sistema para lograr un mejor desempeño de lavado.</li> </ul>  |
| Enganchones, agujeros, rotos, rasgadas o deterioro excesivo        | Lápices, bolígrafos, clavos, tornillos u otros objetos dejados en los bolsillos   | <ul style="list-style-type: none"> <li>Retire todos los elementos sueltos de los bolsillos.</li> </ul>   |
|  | Alfileres, broches, corchetes, botones en punta, hebillas de cinturones, cremalleras y objetos puntiagudos olvidados en los bolsillos   | <ul style="list-style-type: none"> <li>Abroche los corchetes, broches, botones y cremalleras.</li> </ul>   |

## Antes de llamar al servicio de asistencia técnica...

Instrucciones de seguridad

Instrucciones de funcionamiento

Instrucciones de instalación

Consejos para la solución de problemas

Soporte al consumidor

| Problema                                 | Causa posible  | Solución  |
|--|--|---|
| Arrugas                                  | Separación incorrecta  | <ul style="list-style-type: none"> <li>Evite mezclar prendas pesadas (como prendas de trabajo) con prendas delicadas (como blusas).</li> </ul>  |
|  | Sobrecarga   | <ul style="list-style-type: none"> <li>Cargue la lavadora de manera que haya suficiente espacio para que las prendas se muevan libremente.</li> </ul>   |
|  | Ciclo de lavado incorrecto   | <ul style="list-style-type: none"> <li>Combine la selección de ciclo con el tipo de tejido que va a lavar (especialmente para cargas de prendas de fácil cuidado).</li> </ul>   |
|  | Lavado constante en agua demasiado caliente  | <ul style="list-style-type: none"> <li>Lave las prendas en agua tibia o fría.</li> </ul>  |
| Prendas oscurecidas o amarillentas       | No hay suficiente detergente   | <ul style="list-style-type: none"> <li>Utilice la cantidad adecuada de detergente.</li> </ul>   |
|  | No se utiliza detergente de alta eficacia  | <ul style="list-style-type: none"> <li>Utilice detergente de alta eficacia.</li> </ul>  |
|  | Agua dura  | <ul style="list-style-type: none"> <li>Utilice agua lo más caliente posible para no dañar los tejidos.</li> <li>Utilice un acondicionador de agua como, por ejemplo, el de la marca Calgon o instale un ablandador de agua.</li> </ul>  |
|  | El agua no está suficientemente caliente   | <ul style="list-style-type: none"> <li>Asegúrese de que el calentador suministre agua a 120°-140°F (48°-60°C).</li> </ul>   |
|  | El detergente no se disuelve   | <ul style="list-style-type: none"> <li>Pruebe un detergente líquido.</li> </ul>   |
| Tinte                                    | <ul style="list-style-type: none"> <li>Separe las prendas por colores. Si en la etiqueta de la prenda se indica <i>Lavar por separado</i>, puede ser indicio de tintes con poca fijación.</li> </ul> |   |
| Manchas de color                         | Uso incorrecto del suavizante  | <ul style="list-style-type: none"> <li>Consulte el bote de suavizante para ver las instrucciones y siga las indicaciones de uso del distribuidor.</li> </ul>  |
|  | Tinte  | <ul style="list-style-type: none"> <li>Separe las prendas blancas o de color claro de las prendas oscuras.</li> <li>Saque inmediatamente la carga de la lavadora.</li> </ul>  |
| La temperatura del agua no está correcta | El suministro de agua no está conectado correctamente  | <ul style="list-style-type: none"> <li>Asegúrese de que las tuberías están conectadas a las tomas correctas.</li> </ul>   |
|  | El calentador de agua de la vivienda no se ha ajustado correctamente   | <ul style="list-style-type: none"> <li>Asegúrese de que el calentador de agua de la vivienda suministre agua a 120°-140°F (48°-60°C).</li> </ul>  |
| Mal olor dentro de la lavadora           | La lavadora no se ha usado durante un período prolongado o no se está usando una calidad recomendada de detergente HE  | <ul style="list-style-type: none"> <li>Deje la puerta un poco abierta para que el agua se seque.</li> <li>Haga funcionar un ciclo <b>BasketClean</b> (Limpieza de tambor) (incluido en el menú de ciclos especiales) con 1 taza de lejía u otro producto comercialmente disponible fabricado para este propósito, como el limpiador de lavadoras Tide®. Consulte la sección <i>Cuidado y limpieza/Mantenimiento general</i>.</li> </ul> |
| Pequeña variación del color metálico     | Esto es normal   | <ul style="list-style-type: none"> <li>Debido a las propiedades metálicas de la pintura utilizada con este producto único, pueden ocurrir pequeñas variaciones de color debido ángulos de visualización y condiciones de iluminación.</li> </ul>  |

# Garantía de la lavadora GE. (Para clientes de Estados Unidos)



Todos los servicios de garantía se ofrecen a través de nuestros centros de asistencia técnica o un técnico autorizado de Customer Care®. Para programar servicio de asistencia técnica, visite en línea la página [GEAppliances.com](http://GEAppliances.com) o llame al 800.GE.CARES (1.800.432.2737). Cuando llame para solicitar servicio, por favor tenga a mano el número de serie y el número de modelo.

Engrape el recibo aquí.  
Se necesita el comprobante con la fecha de compra original para que la garantía cubra los servicios.

| Período:  | Se sustituirá:  |
|---|---|
| <b>Un año</b><br>A partir de la fecha de adquisición original | <b>Cualquier pieza</b> de la lavadora que falle debido a un defecto en los materiales o la fabricación. Durante este <b>garantía limitada de un año</b> , GE correrá además, <b>sin cargo alguno</b> , con todos los gastos de mano de obra y reparación relacionados para sustituir la pieza defectuosa. |

## Exclusiones de la garantía (en Estados Unidos):

- Visitas de servicio a domicilio para mostrarle cómo utilizar el producto.
- Instalación, envío o mantenimiento incorrectos.
- Fallas del producto por manipulación, uso incorrecto o distinto al destinado o previsto comercialmente.
- Daños tras la entrega.
- Sustitución de los fusibles de la vivienda o restablecimiento de los interruptores.
- Daños causados por accidentes, incendios, inundaciones o fenómenos naturales.
- Daños emergentes o fortuitos causados por posibles defectos del electrodoméstico.
- Producto no accesible para facilitar el servicio requerido.

**EXCLUSIÓN DE GARANTÍAS IMPLÍCITAS—Su único y exclusivo derecho es la reparación del producto, tal y como se indica en esta Garantía limitada. Cualquier garantía implícita, incluyendo las garantías implícitas de comerciabilidad o adecuación para un fin determinado, están limitadas a un año o el período de tiempo más breve permitido por la ley.**

Esta garantía se extiende al comprador original y cualquier comprador posterior de productos comprados para uso residencial dentro des Estados Unidos. Si el producto está situado en un área que no dispone de servicio por parte de un proveedor de servicio autorizado de GE, podría tener que hacerse cargo de los costes de envío o bien podría solicitársele que lleve el producto a una centro de servicio de GE autorizado para realizar la reparación. En Alaska, la garantía excluye el costo de envío o las visitas de servicio a su casa.

Algunos estados no permiten la exclusión o las limitaciones de daños incidentales o consecuenciales. Esta garantía da derechos legales específicos, y usted podría tener otros derechos que variarán de estado a estado. Para saber cuáles son sus derechos legales, consulte a la oficina de asuntos del consumidor local o la oficina del Procurador (Attorney General) en su localidad.

**Garante: General Electric Company. Louisville, KY 40225**

Instrucciones de seguridad

Instrucciones de funcionamiento

Instrucciones de instalación

Consejos para la solución de problemas

Soporte al consumidor



|                              |   |                                     |  |                                   |
|------------------------------|---|-------------------------------------|--|-----------------------------------|
| <b>Soporte al consumidor</b> | <b>Consejos para la solución de problemas</b> | <b>Instrucciones de instalación</b> | <b>Instrucciones de funcionamiento</b> | <b>Instrucciones de seguridad</b> |
|------------------------------|---|-------------------------------------|--|-----------------------------------|

## **Notas.**

---

|                                   |  |                                     |   |                              |
|-----------------------------------|--|-------------------------------------|---|------------------------------|
| <i>Instrucciones de seguridad</i> | <i>Instrucciones de funcionamiento</i> | <i>Instrucciones de instalación</i> | <i>Consejos para la solución de problemas</i> | <i>Soporte al consumidor</i> |
|-----------------------------------|--|-------------------------------------|---|------------------------------|

|                              |   |                                     |  |                                   |
|------------------------------|---|-------------------------------------|--|-----------------------------------|
| <b>Soporte al consumidor</b> | <b>Consejos para la solución de problemas</b> | <b>Instrucciones de instalación</b> | <b>Instrucciones de funcionamiento</b> | <b>Instrucciones de seguridad</b> |
|------------------------------|---|-------------------------------------|--|-----------------------------------|

## Notas.

---

## Servicio al consumidor.

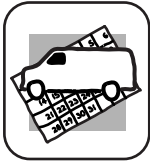
---



### *Página Web de GE Appliances*

**GEAppliances.com**

¿Tiene alguna pregunta sobre su electrodoméstico? ¡Pruebe la página Web de GE Appliances 24 horas al día, cualquier día del año! Para mayor conveniencia y servicio más rápido, ya puede descargar los Manuales de los Propietarios, pedir piezas o incluso hacer una cita en línea para que vengan a realizar una reparación.



### *Solicite una reparación*

**GEAppliances.com**

El servicio de expertos GE está a tan sólo un paso de su puerta. ¡Entre en línea y solicite su reparación cuando le venga bien cualquier día del año! O llame al 800.GE.CARES (800.432.2737) durante horas normales de oficina.



### *Real Life Design Studio (Estudio de diseño para la vida real)*

**GEAppliances.com**

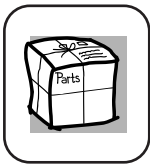
GE apoya el concepto de Diseño Universal—productos, servicios y ambientes que pueden usar gente de todas las edades, tamaños y capacidades. Reconocemos la necesidad de diseñar para una gran gama de habilidades y dificultades físicas y mentales. Para más detalles sobre las aplicaciones de GE Diseño Universal, incluyendo ideas de diseño para la cocina para personas con discapacidades, mire nuestra página Web hoy mismo. Para personas con dificultades auditivas, favor de llamar al 800.TDD.GEAC (800.833.4322).



### *Garantías ampliadas*

**GEAppliances.com**

Compre una garantía ampliada y obtenga detalles sobre descuentos especiales disponibles mientras su garantía está aún activa. Puede comprarla en línea en cualquier momento, o llamar al (800.626.2224) durante horas normales de oficina. GE Consumer Home Services estará aún ahí cuando su garantía termine.



### *Piezas y accesorios*

**GEAppliances.com**

Aquellos individuos con la calificación necesaria para reparar sus propios electrodomésticos pueden pedir que se les manden las piezas o accesorios directamente a sus hogares (aceptamos las tarjetas VISA, MasterCard y Discover). Haga su pedido en línea hoy, 24 horas cada día o llamar por teléfono al 800.626.2002 durante horas normales de oficina.

***Las instrucciones descritas en este manual cubren los procedimientos a seguir por cualquier usuario. Cualquier otra reparación debería, por regla general, referirse a personal calificado autorizado. Debe ejercerse precaución ya que las reparaciones incorrectas pueden causar condiciones de funcionamiento inseguras.***



### *Póngase en contacto con nosotros*

**GEAppliances.com**

Si no está satisfecho con el servicio que recibe de GE, póngase en contacto con nosotros en nuestra página Web indicando todos los detalles así como su número de teléfono o escribanos a:

General Manager, Customer Relations  
GE Appliances, Appliance Park  
Louisville, KY 40225



### *Registre su electrodoméstico*

**GEAppliances.com**

**¡Registre su nuevo electrodoméstico en línea—cuando usted prefiera!** El registrar su producto a tiempo le proporcionará, si surgiera la necesidad, una mejor comunicación y un servicio más rápido bajo los términos de su garantía. También puede enviar su tarjeta de registro pre-impresa que se incluye en el material de embalaje o recorte y use el formulario de este Manual del Propietario.

## Consumer Support.

---



### GE Appliances Website

In the U.S.: **GEAppliances.com**

Have a question or need assistance with your appliance? Try the GE Appliances Website 24 hours a day, any day of the year! For greater convenience and faster service, you can now download Owner's Manuals, order parts or even schedule service on-line. **In Canada: [www.GEAppliances.ca](http://www.GEAppliances.ca)**



### Schedule Service

In the U.S.: **GEAppliances.com**

Expert GE repair service is only one step away from your door. Get on-line and schedule your service at your convenience any day of the year! Or call 800.GE.CARES (800.432.2737) during normal business hours.

**In Canada, call 1.800.561.3344**



### Real Life Design Studio

In the U.S.: **GEAppliances.com**

GE supports the Universal Design concept—products, services and environments that can be used by people of all ages, sizes and capabilities. We recognize the need to design for a wide range of physical and mental abilities and impairments. For details of GE's Universal Design applications, including kitchen design ideas for people with disabilities, check out our Website today. For the hearing impaired, please call 800.TDD.GEAC (800.833.4322).

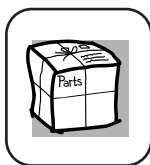
**In Canada, contact:** Manager, Consumer Relations, Mabe Canada Inc.  
Suite 310, 1 Factory Lane  
Moncton, N.B. E1C 9M3



### Extended Warranties

In the U.S.: **GEAppliances.com**

Purchase a GE extended warranty and learn about special discounts that are available while your warranty is still in effect. You can purchase it on-line anytime, or call 800.626.2224 during normal business hours. GE Consumer Home Services will still be there after your warranty expires. **In Canada, please visit our Website or contact your local extended warranty provider.**



### Parts and Accessories

In the U.S.: **GEAppliances.com**

Individuals qualified to service their own appliances can have parts or accessories sent directly to their homes (VISA and MasterCard cards are accepted). Order on-line today, 24 hours every day or by phone at 800.626.2002 during normal business hours.

**Instructions contained in this manual cover procedures to be performed by any user. Other servicing generally should be referred to qualified service personnel. Caution must be exercised, since improper servicing may cause unsafe operation.**

Customers **in Canada** should consult the yellow pages for the nearest Mabe service center, or call 1.800.661.1616.



### Contact Us

In the U.S.: **GEAppliances.com**

If you are not satisfied with the service you receive from GE, contact us on our Website with all the details including your phone number, or write to:

General Manager, Customer Relations  
GE Appliances, Appliance Park  
Louisville, KY 40225

**In Canada: [www.GEAppliances.ca](http://www.GEAppliances.ca), or write to:** Director, Consumer Relations, Mabe Canada Inc.  
Suite 310, 1 Factory Lane  
Moncton, N.B. E1C 9M3



### Register Your Appliance

In the U.S.: **GEAppliances.com**

**Register your new appliance on-line—at your convenience!** Timely product registration will allow for enhanced communication and prompt service under the terms of your warranty, should the need arise. You may also mail in the pre-printed registration card included in the packing material. **In Canada: [www.GEAppliances.ca](http://www.GEAppliances.ca)**