

This Owner's Manual is provided and hosted by [Appliance Factory Parts](#).



Proteam 1400XP Owner's Manual

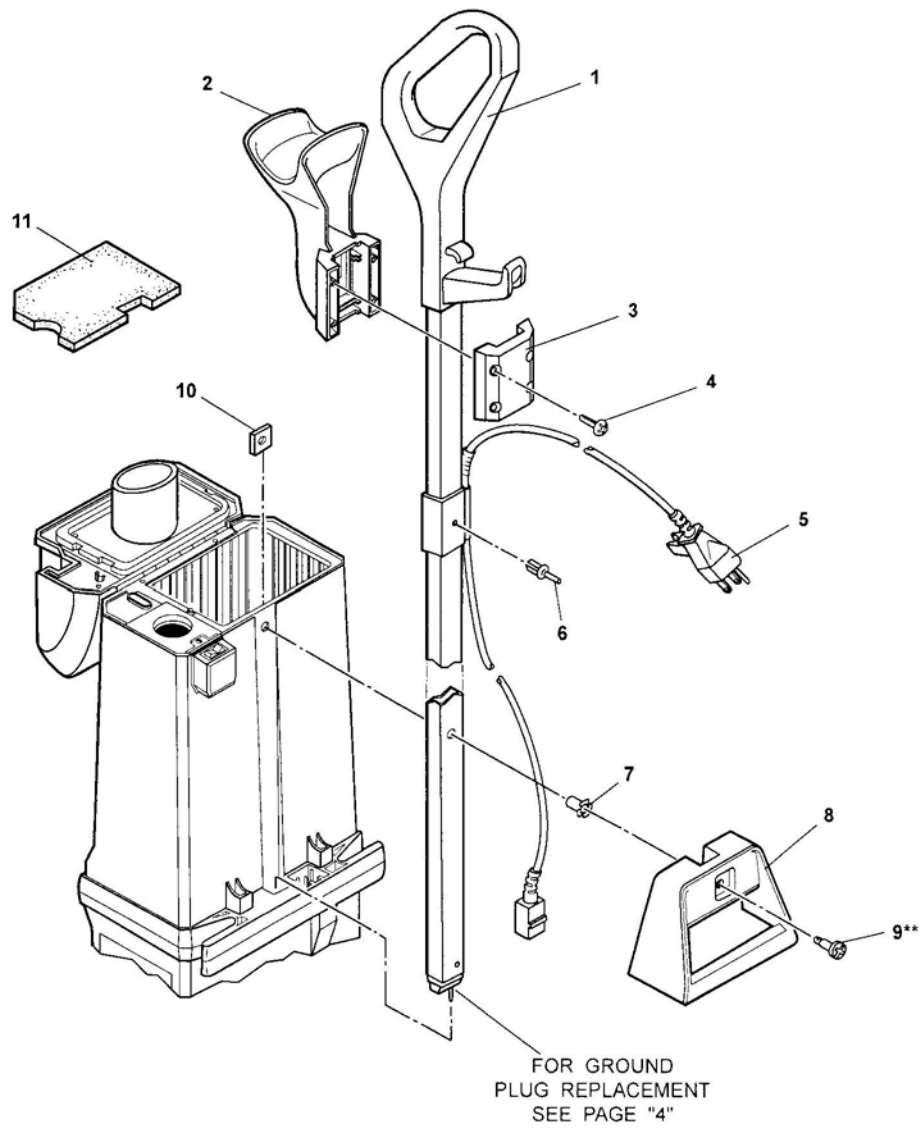
[Shop genuine replacement parts for Proteam 1400XP](#)



[Find Your Proteam Vacuum Cleaner Parts - Select From 40 Models](#)

----- Manual continues below -----

HANDLE ASSEMBLY

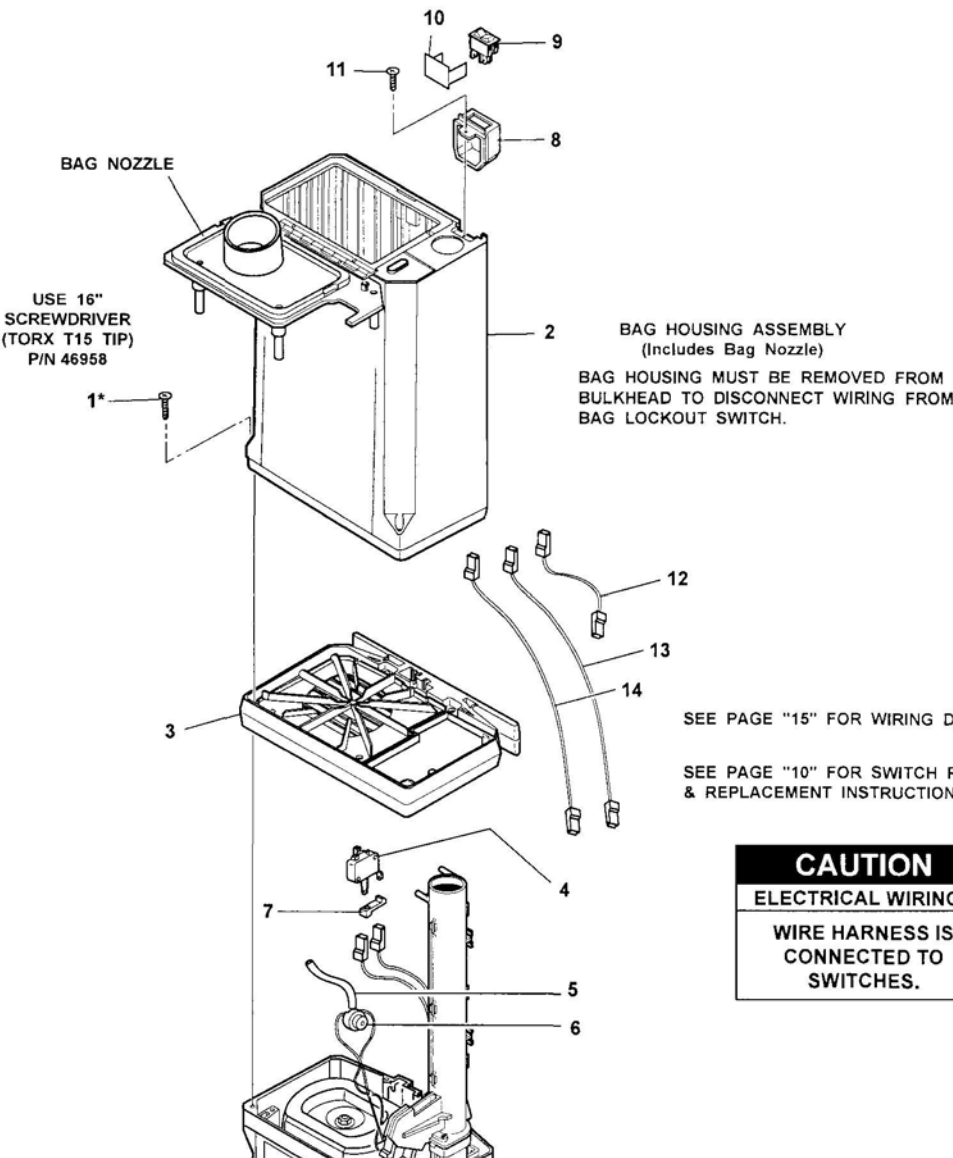


ITEM	PART No.	QTY.	DESCRIPTION
1	47887	1	HANDLE ASSEMBLY (W/O Cord)
2	48217	1	HOSE/TOOL HOLDER (Front)
3	48218	1	HOSE / TOOL HOLDER (Rear)
4	43785....		
5	PV-46953	1	CORD 50 ^{FT} (W/O Handle)
6	45383	1	RIVET
7	46998	1	HANDLE BUSHING
8	47292	1	CARRY HANDLE
9	43786	1	
10	43218	1	NUT PLATE
11	43762	1	MOTOR FILTER

****TIGHTENING TORQUE FOR SCREWS**

ITEM 9 20 TO 25 IN./LBS.

BAG HOUSING



CAUTION
ELECTRICAL WIRING !
 WIRE HARNESS IS CONNECTED TO SWITCHES.



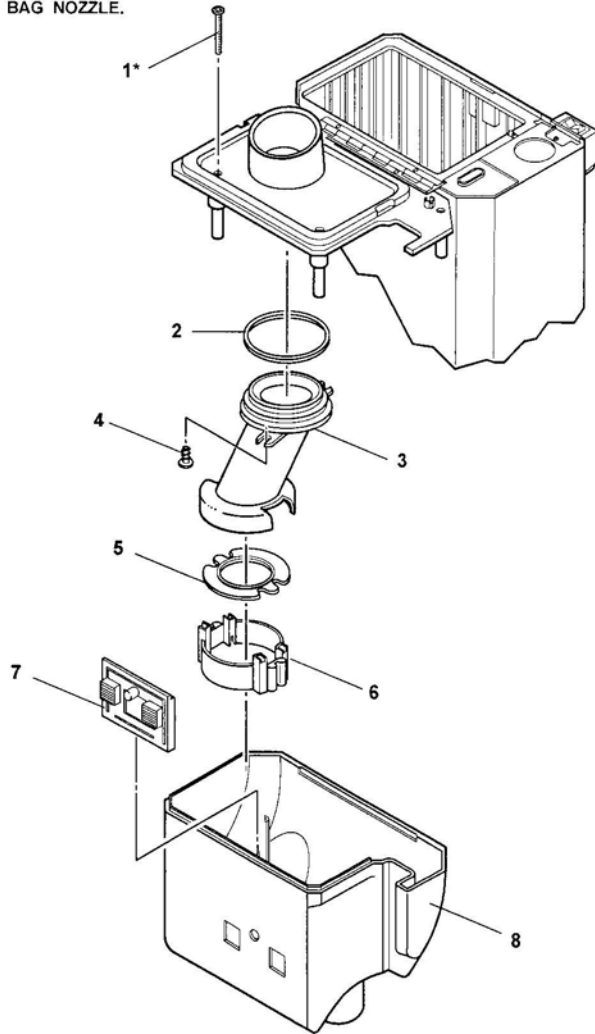
16" SCREWDRIVER - TORX T15 TIP
P/N 46958

*TIGHTENING TORQUE FOR SCREWS

ITEM 1 10 TO 12 IN./LBS.

BAG COVER REMOVAL

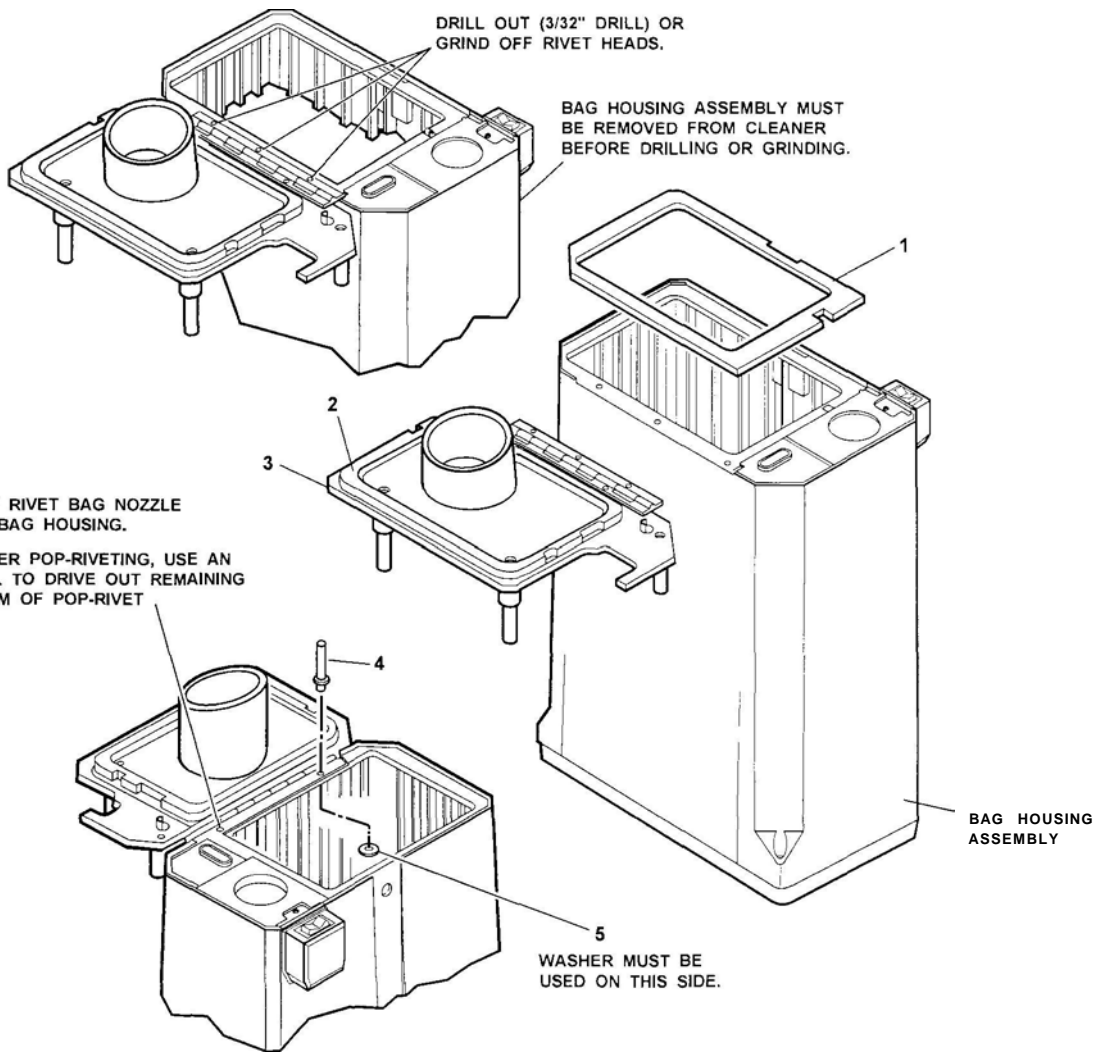
TO REMOVE BAG COVER, REMOVE THE FOUR (4) SCREWS HOLDING BAG COVER TO BAG NOZZLE.



*TIGHTENING TORQUE

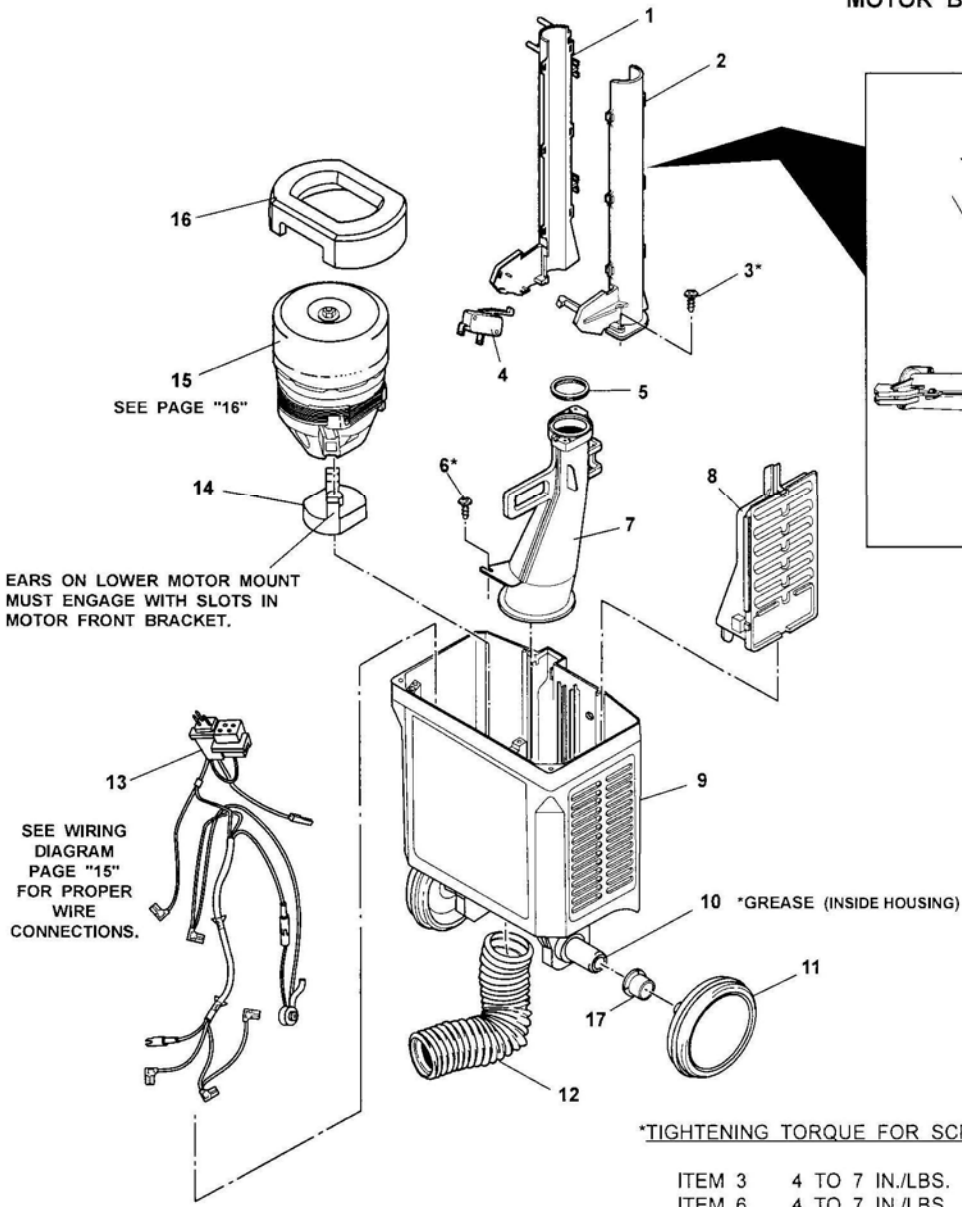
ITEM 1	4 N·m
ITEM 4	4 N·m

REPLACING BAG NOZZLE

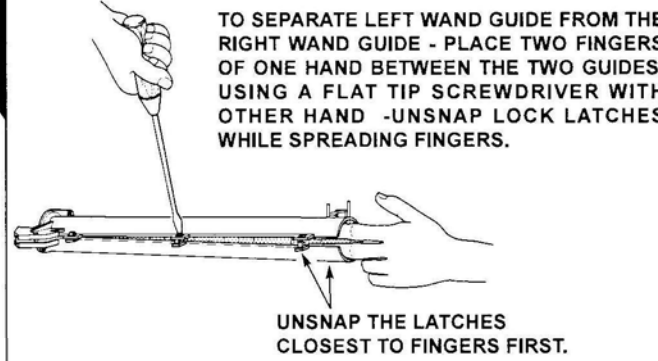


ITEM	PART No.	QTY
1	47864	1
2	47864	1
3	47836	1
4	1/8" x 3/8" LONG	3
5	13345	3

MOTOR BODY HOUSING



SEPARATION INSTRUCTIONS:



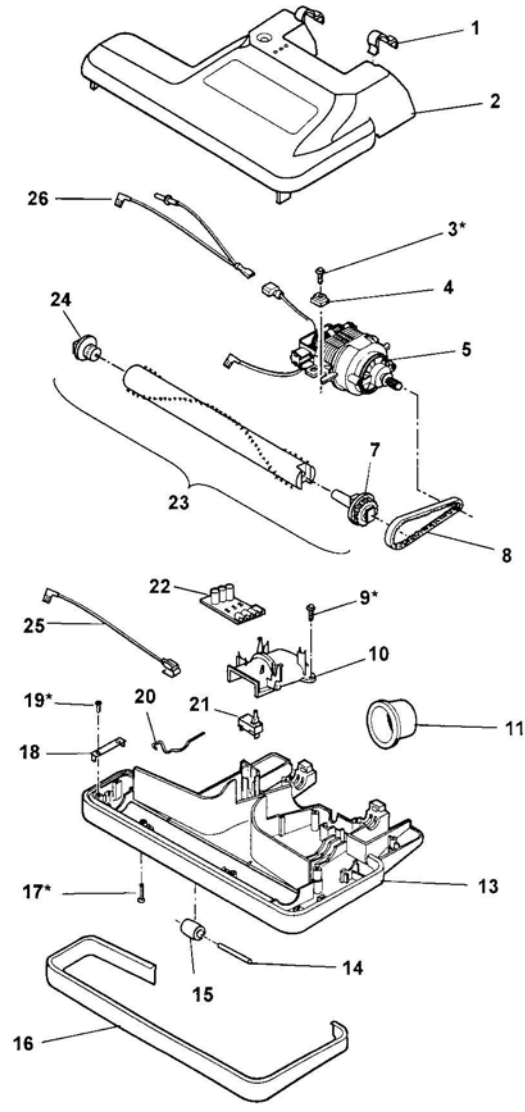
ITEM	SERVICE No.	QTY.
1	47839	1
2	47840	1
3	11006	2
4	47830	1
5	47844	1
6	11006	2
7	47838	1
8	47874	1
9	48272	1
10	13349	"A/R
11	43586	2
12	46941	1
13	NLA	1
14	47611	1
15	47829	1
16	43232	1
17	48445	2

*TIGHTENING TORQUE FOR SCREWS

ITEM 3 4 TO 7 IN./LBS.
ITEM 6 4 TO 7 IN./LBS.

"A/R-A S REQ
(GREASE)

LOWER BASE UNIT



ITEM

- 1.....
- 2.....
- 3.....
- 4.....
- 5.....
- 7.....
- 8.....
- 9.....
- 10....
- 11....
- 13....
- 14....
- 15....
- 16....
- 17....
- 18....
- 19....
- 20....
- 21....
- 22....
- 23....
- 24....
- 25....
- 26....

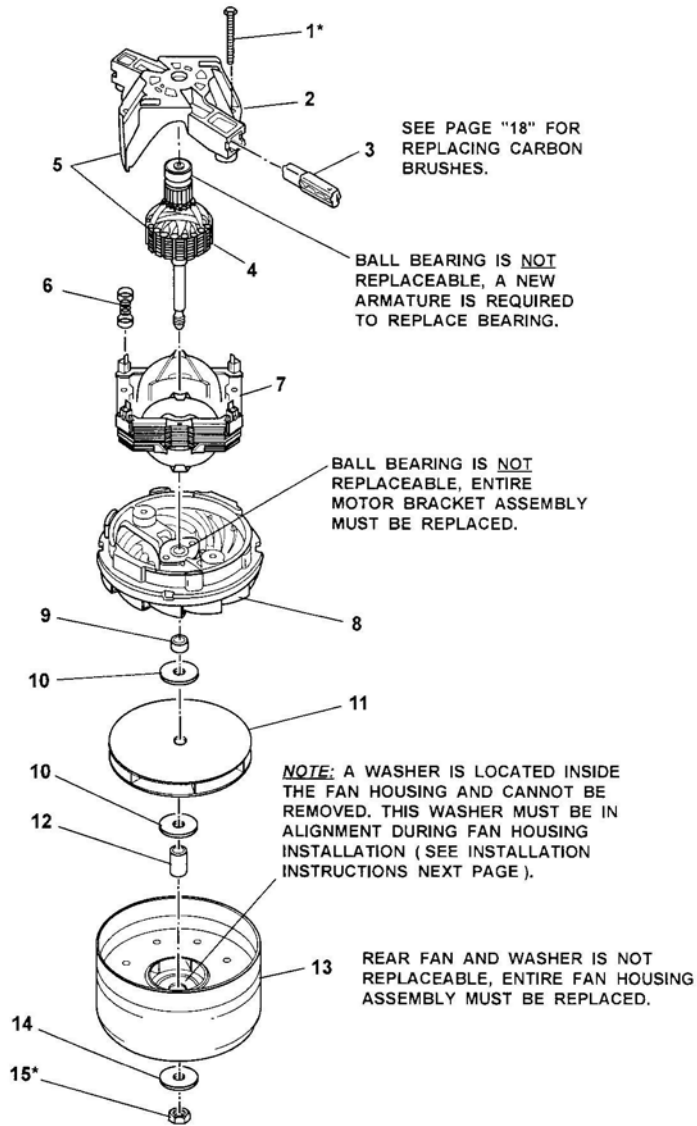
PART No.	QTY.	DESCRIPTION
43238	2	DETENT SPRING
48529	1	BASE COVER
13287	2	SCREW (Motor)
45191	2	ISOLATOR GROMMET
48539	1	MOTOR UNIT ASSEMBLY
45121	1	PULLEY ASSEMBLY
48359	1	MOTOR BELT (3/8" Wide)
13287	2	SCREW (Nozzle Cover)
48448	1	NOZZLE COVER
45143	1	HOSE SLEEVE
48507	1	BASE
45125	2	FRONT ROLLER SHAFT
43941	2	FRONT ROLLER
48508	1	BUMPER
47118	9	SCREW (Base)
46935	2	RETAINER (Brush Bearing)
13268	4	SCREW (Brush Bearing)
46930	2	WIRE FORM
46931	1	PERFORMANCE INDICATOR (SPI Board)
45853	1	CIRCUIT BREAKER
48509	1	BRUSH ASSEMBLY (W/ Brush Bearing & Pulley)
45124	1	BRUSH BEARING
48495	1	LEAD ASSEMBLY (SPI Board to Circuit Breaker)
48510	1	LEAD ASSEMBLY (W/Mate-N-Lok)

***TIGHTENING TORQUE FOR SCREWS**

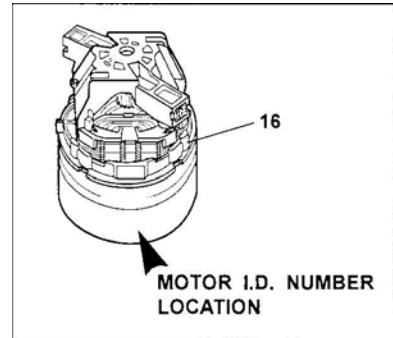
ITEM 3	18 TO 22 IN./LBS.
ITEM 9	18 TO 22 IN./LBS.
ITEM 17	18 TO 22 IN./LBS.
ITEM 19	10 TO 14 IN./LBS.

CLEANER MOTOR

(I.D. 6500-290)



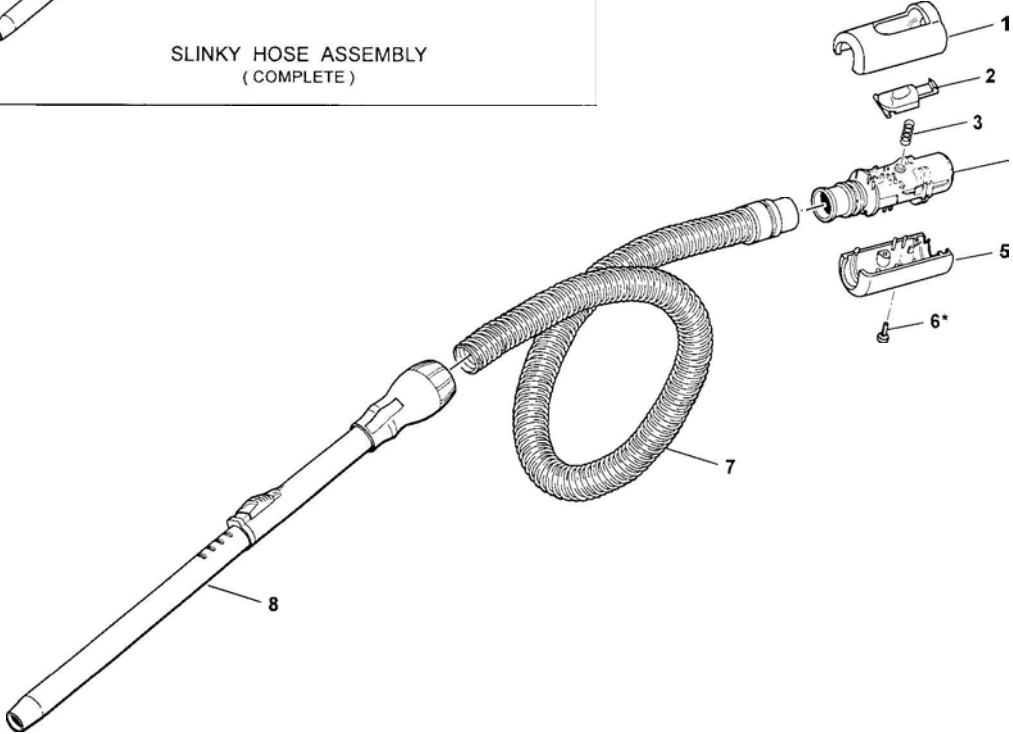
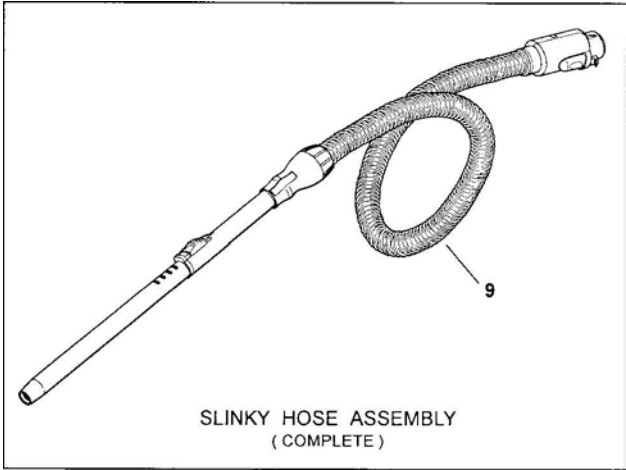
ITEM	SERVICE No.	QTY.	
1	47872	2	S
2	47873	1	F
3	47857	2	C
4	ORDER ITEM 5	1	A
5	47856	1	A
6	43489		E
7	47858	1	S
8	47871	1	M
9	45268	1	F
10	45267		V
11	43252	1	F
12	45269	1	F
13	45266	1	F
14	13295	1	V
15	13341	1	M
16	47829	1	M



*TIGHTENING

ITEM 1
ITEM 1

SLINKY HOSE

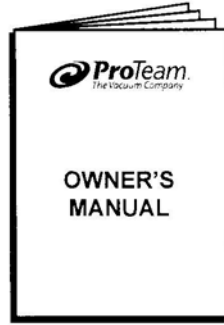
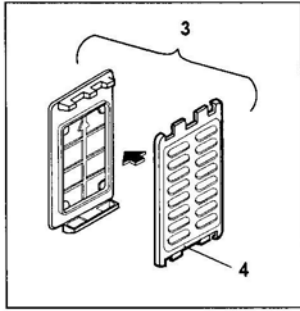
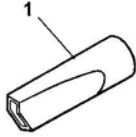


ITEM	SERVICE No.	QTY.	DESCRIPTION
1	48213	1	HOSE SLEEVE (Upper)
2	47100	1	LATCH (Hose Latch)
3	46076	1	SPRING
4	48212	1	TUBE SUPPORT (Slinkv Hnc:p1
5	48214	1	HOSE SLEEVE (Lower)
6	46746	1	SCREW (Torx - Hose Sleeve)
7	48211	1	SLINKY HOSE
8	48215	1	EXTENSION WAND ASSEMBLY
9	48210	1	SLINKY HOSE ASSEMBLY

*TIGHTENING TORQUE FOR SCREWS

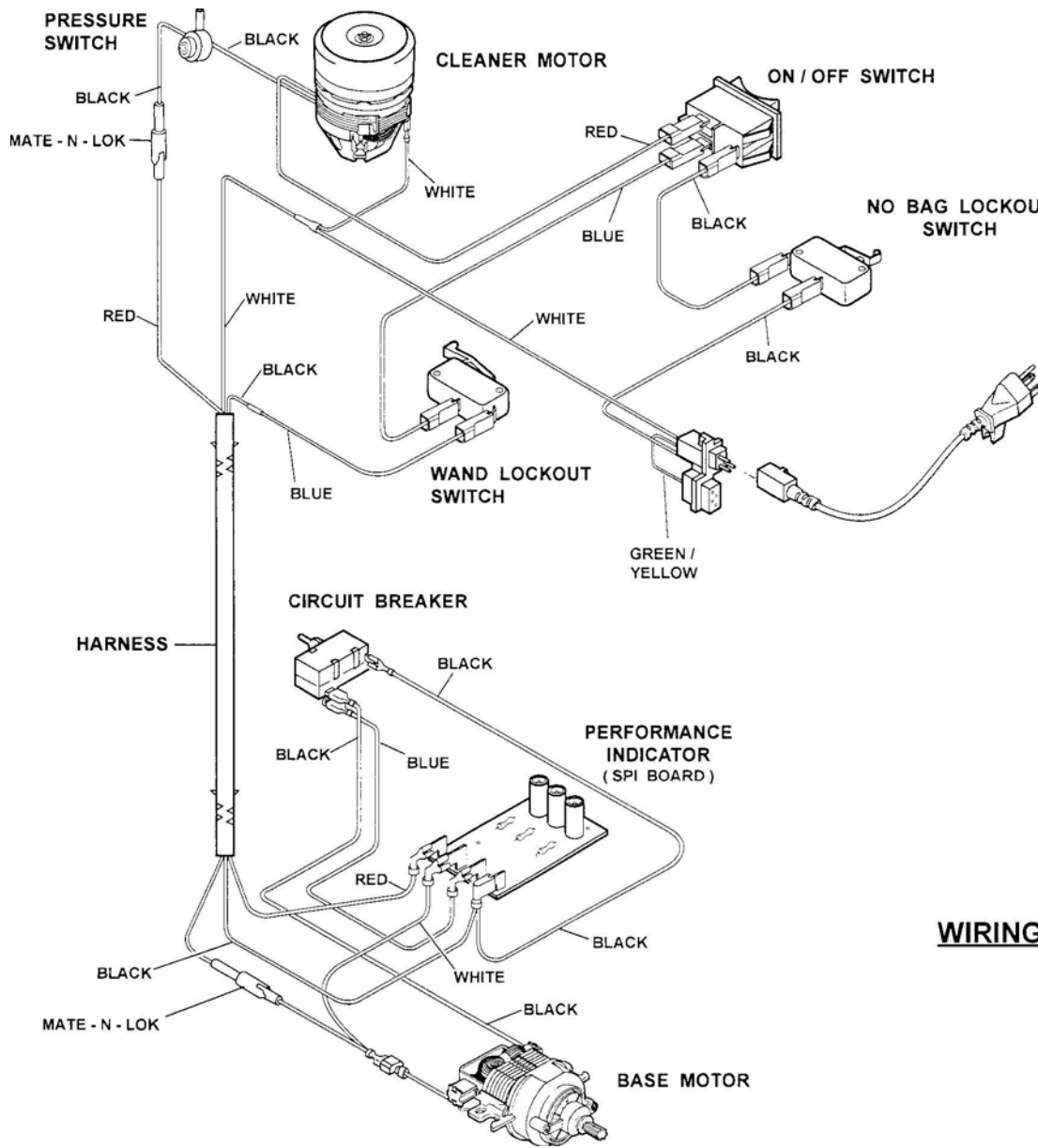
ITEM 6 4 TO 7 IN./LBS.

OPTIONAL ACCESSORIES



5

ITEM	PART No.	QTY.	DE
1	47982	1	NA
2	48139	1	CC
3	48367	1	AE
4	48368	2	RE
5	48530	1	OV



WIRING