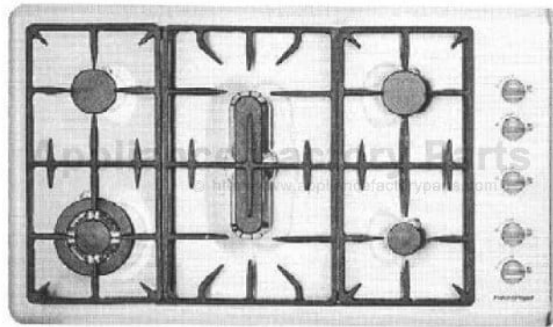


This Owner's Manual is provided and hosted by [Appliance Factory Parts](#).



FISHER & PAYKEL GC36WAC Owner's Manual

[Shop genuine replacement parts for FISHER & PAYKEL
GC36WAC](#)



[Find Your FISHER & PAYKEL Gas Range Parts - Select From 10 Models](#)

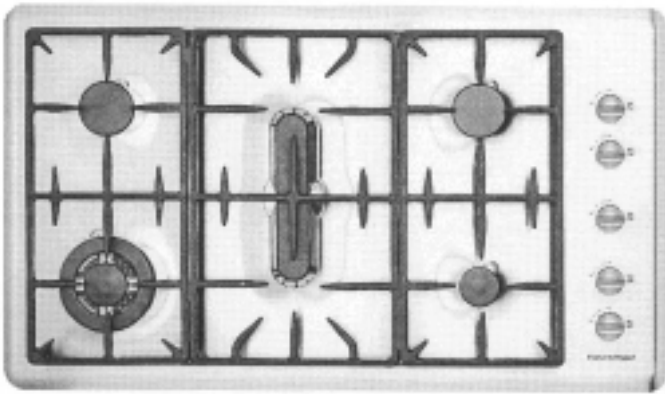
----- Manual continues below -----

Parts Manual

Gas Cooktop

Model:
CG36WAC FP SS US

Product Code:
88253



Brand Fisher & Paykel, Shacklock, Unbranded

Voltage 110V 60Hz

Model CG36WAC FP SS US

Product Code 88253

Fisher & Paykel Appliances Inc

5800 Skylab Rd,
Huntington Beach
California, CA92647
USA

Telephone: 888 936 7872

COPYRIGHT® FISHER & PAYKEL LTD 2004 - ALL RIGHTS RESERVED

CONTENTS

HOB TOP COMPONENTS

.....	6 BASEPAN
COMPONENTS	8

GUIDE TO USING THIS MANUAL

The model covered by this manual is listed on the front cover.

The information detailed in this manual is subject to change without notice. The latest version is indicated by the reprint date and replaces any earlier editions.

The front cover picture shows the type of product and may not necessarily be an exact image of the model covered by the manual.

Kit Parts

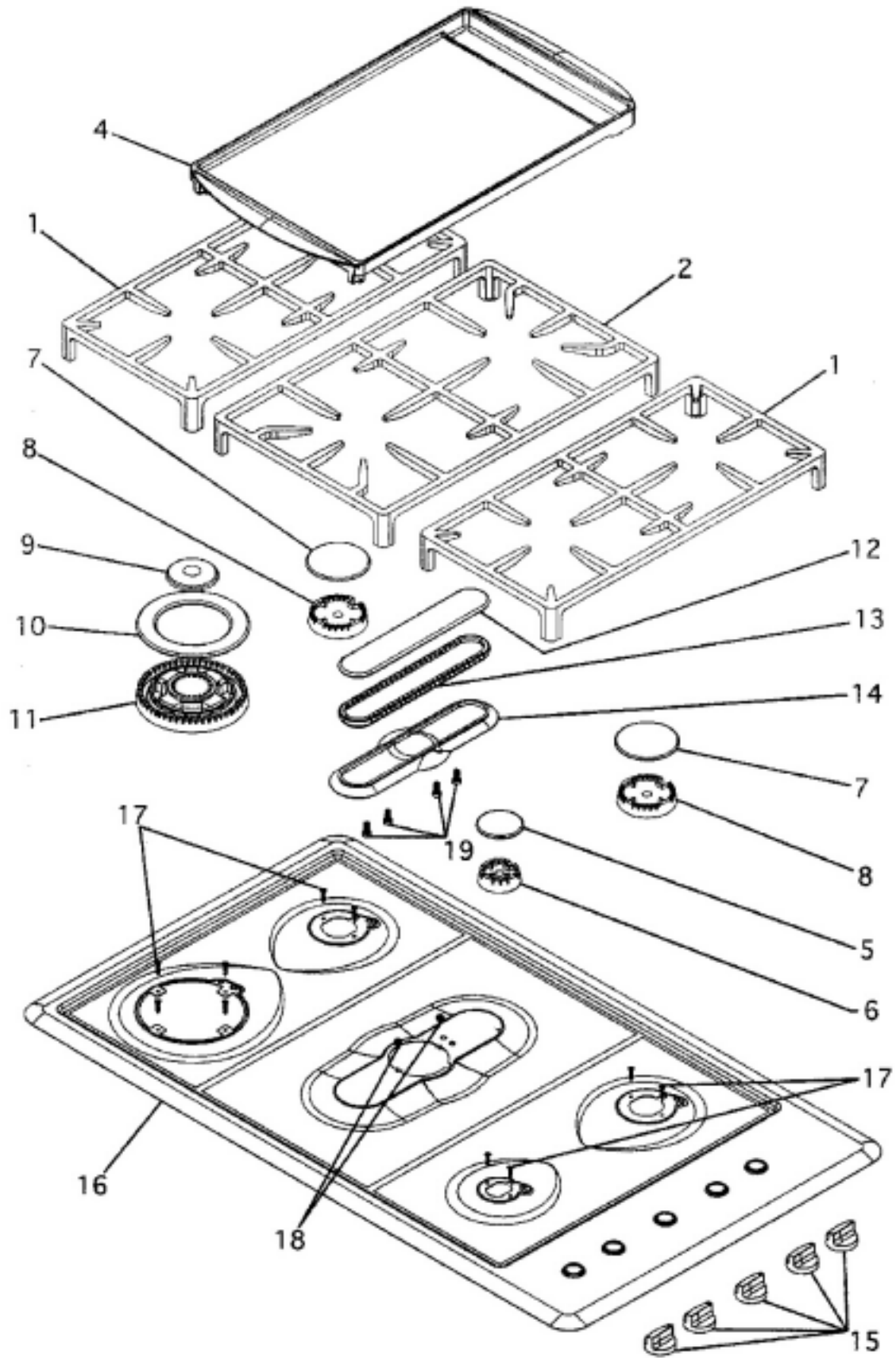
Kit components are shown in *italics*. Where a part number is shown against the descriptions for these kit components, they are also available as separate items. In addition, some parts may be supplied with these kits that are not available as separate items, and are therefore either not listed, or a part number is not shown against the part description in this manual.

Parts List Key

<i>italics</i>	Kit components or parts included are shown in <i>italics</i> . Refer to above notes: Kit Parts.
----------------	---

NI	As a part reference, indicates the part is not illustrated on the diagram.
NOT USED	As a part number, indicates the diagram part reference is not used in this manual.

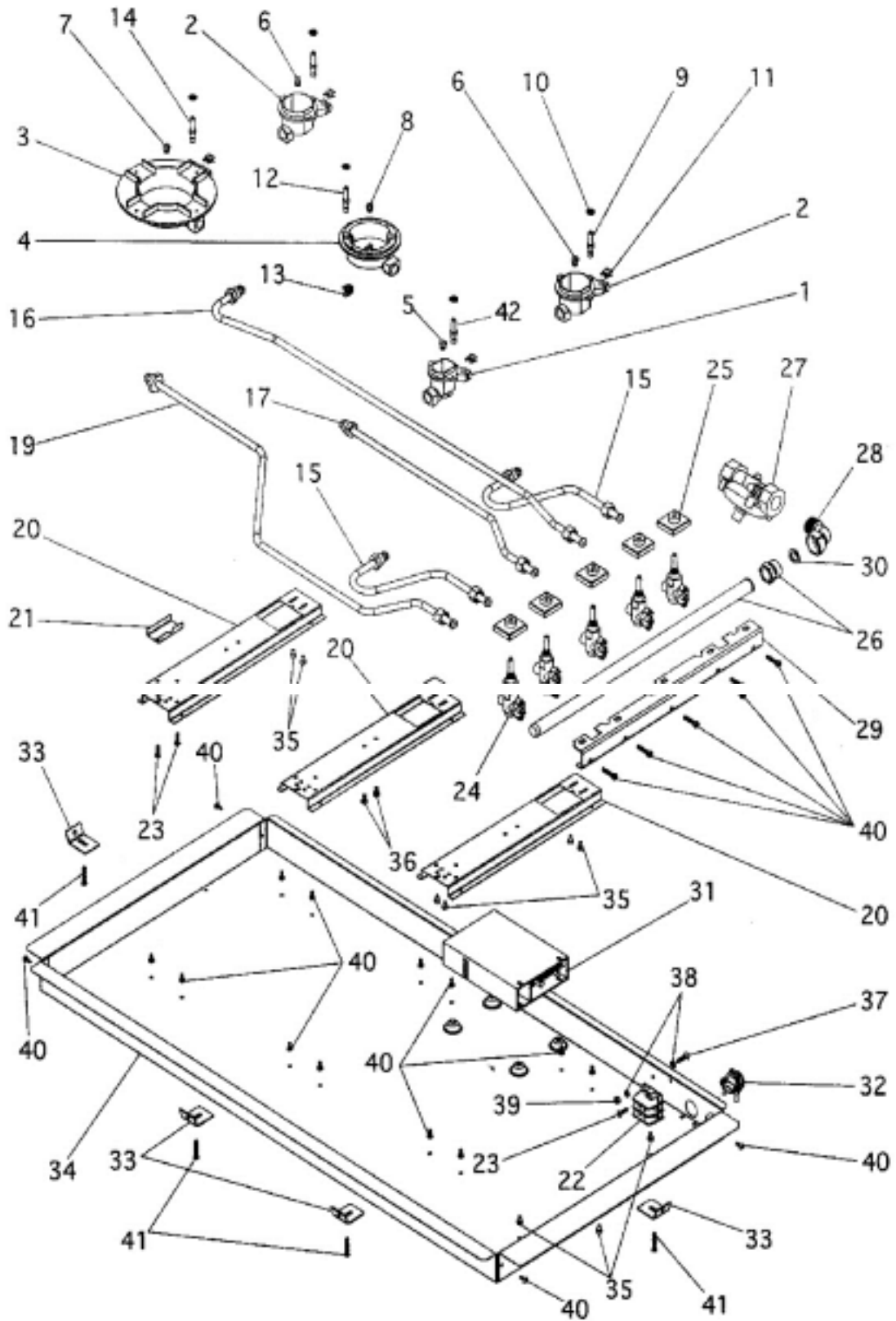
HOB TOP COMPONENTS



DWG000218

HOB TOP COMPONENTS

RE F	PART	DESCRIPTION
1	530457	TRIVET MAIN GC36
2	530458	TRIVET FISH GC36
4	89049	SKILLET GC36
5	530332	BURNER CAP AUX ENAM MATT MK2
6	531616	BURNER SPREADER AUX MK2
7	530333	BURNER CAP SR ENAM MATT MK2
8	530223	BURNER SPREADER SEMI RAPID MK2
9	530334	BURNER CAP WOK/I ENAM MATT MK2
10	530335	BURNER CAP WOK/O ENAM MATT MK2
11	530229	BURNER SPREADER WOK MK2
12	530341	BURNER CAP FISH ENAM MATT MK2
13	530078	BURNER RING NICKEL FISH8787932
14	530077	BURNER SUPPORT FISH 8787921
15	530461	KNOB CAST AL GAS D0
	540681	KNOB GALAXY GAS (SATIN CHROME)
16	530594	HOB TOP LZD GC36 SS LZD L/GRAPHIC
17	556099P	SCREW MC M3X7 CSK PH MS NP (PKT10)
18	556018P	SCREW MC M4X8 HEX PH MS NP (PKT10)
19	556070	SCREW MC M5X12 PAN PH SS (PKT10)
NI	530459	SPATULA GC36
NI	530460	SIMMERMAT
NI	530470	LEAFLET GRIDDLE SIMMERMAT
NI	599047	CARD USE & CARE GAS GC36
NI	599116	INSTAL INSTR GAS US (MULTI)
NI	599051	MINI SERVICE MANUAL GC36
NI	479314	CARD REGISTRATION ALL PRODUCT
NI	530550P	FOOT TRIVET GC36 (PK12)



DWG000219

8

599154

BASEPAN COMPONENTS

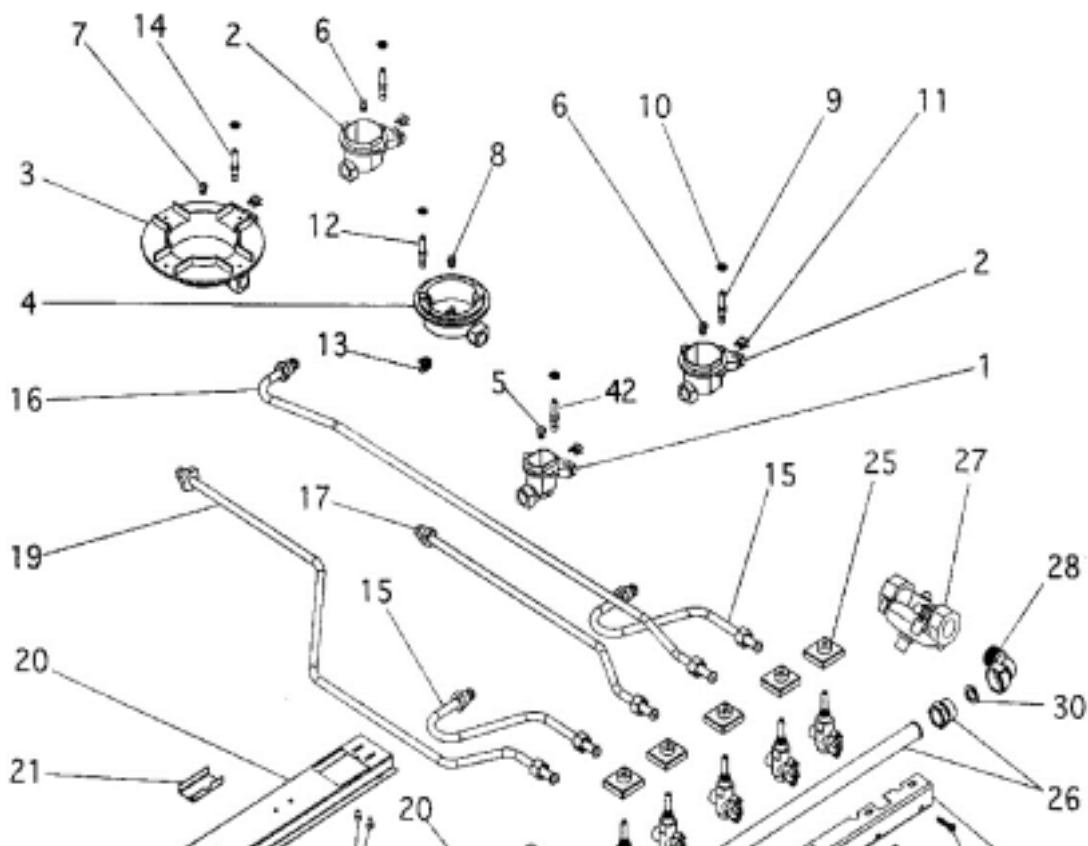
RE	PART	DESCRIPTION
----	------	-------------

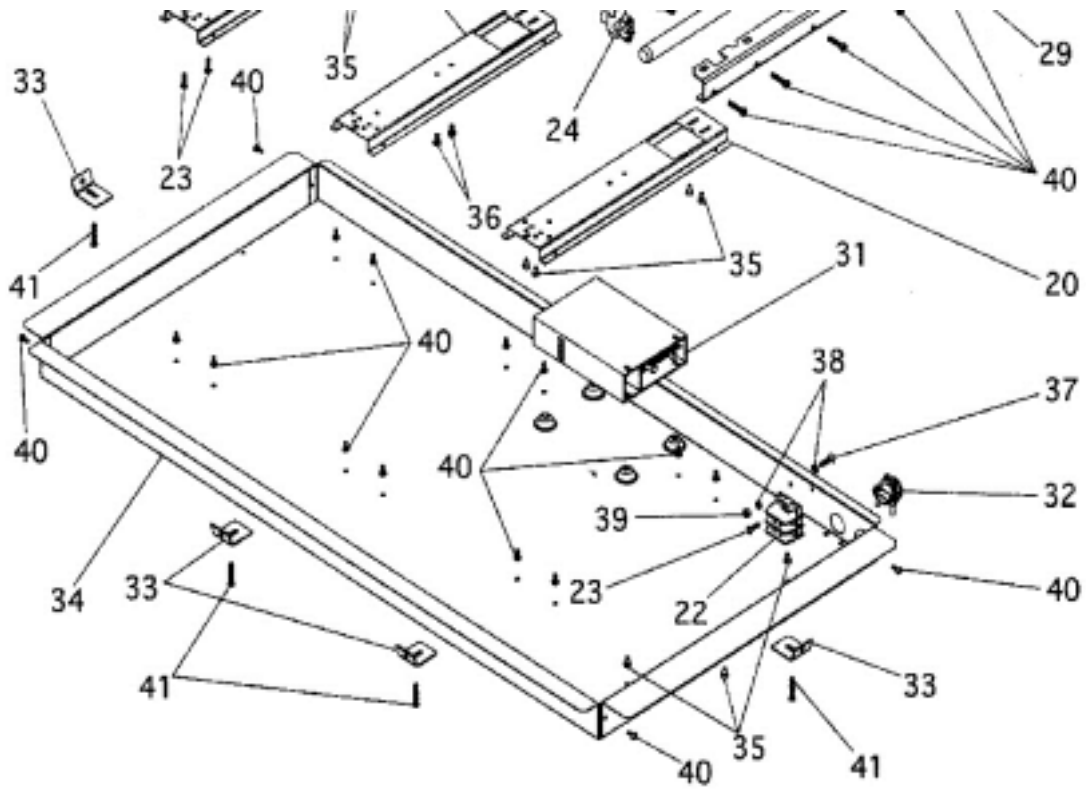
F		
1	530225	BURNER BOWL AUX MK2
2	531614	BURNER BOWL SR MK2 1.10
3	530228	BURNER BOWL WOK UNSEALED
4	530027	BURNER BOWL FISH 8787930
5	530140	INJECTOR 0.85 NG
	530124	INJECTOR 0.55 LPG
6	530465	INJECTOR 1.30 NG
	530385	INJECTOR 0.8 NG
7	530178	INJECTOR 1.75 NG
	530127	INJECTOR 1.05 LPG
8	530283	INJECTOR 1.45 NG
	530131	INJECTOR 0.85 LPG
9	531606	ELECTRODE REIGNITION 8180667
10	530249	O RING ELECTR/THERMCPL 8180991 – WOK
	530251	O RING ELECTRODE (BLACK) – SR / AUX
11	530245	SPRING CLIP ELECTRODE MK2
12	530243	ELECTRODE 350MM FISH 8787938
13	541075	SPRING FISH ELECTRODE
14	531679P	KIT ELECTRODE SPRING & CLIP
	<i>Includes</i>	<i>ELECTRODE WOK US FITTED</i>
	<i>Includes</i>	<i>SPRING ELECTRODE MOD ISPH</i>
	<i>Includes</i>	<i>RETAINING RING MOD E 5-0</i>
15	530379	TUBE NUTS ASSY GC36 RIGHT
16	530378	TUBE NUTS ASSY GC36 LEFT
17	530380	TUBE NUTS ASSY GC36 MID
19	530415	TUBE NUTS ASSY GC36 MK2
20	530237	BRACKET BURNERS MK2
21	530236	BRACKET SPACER WOK
22	530485	TERMINAL BLOCK OK501-001 (UL)
23	556005P	SCREW ST 6X5/8 T25 PAN PH NP (PKT10)
24	530029	GAS COCK STD SABAF 4240085

25	530317	SWITCH IGNITION & LOOM GC36
26	530045	MANIFOLD & NUTS ASSY 900
27	530310	REGULATOR NG-LPG US
28	530391	ELBOW 1/2 - 1/2 NPT
29	530409	BRACKET MANIFOLD
30	530132	WASHER BLUE 1/2 GAS SEAL
31	530308	IGNITION BOX AUTO GC36
32	525897	CLAMP CABLE NEER C500 3/8"
33	530065	BRACKET CLAMPING INSTALLATION
34	530369	BASEPAN GAS 36IN
35	556083P	SCREW TAPTITE M3.5X6 PAN PH NP (PKT10)
36	556018P	SCREW MC M4X8 HEX PH MS NP (PKT10)

Continued next page

BASEPAN COMPONENTS





DWG000219

BASEPAN COMPONENTS

REF	PART	DESCRIPTION
37	556117P	SCREW MC M4X16 PAN PH MS ZP (PKT10)
38	556513P	WASHER LOCK 5/32 EXT SER ST BU (PKT10)
39	556104P	NUT M4 HEX FS MS NIPL (PKT10)
40	556003P	SCREW ST 6X3/8 T25 PAN PH NP (PKT10)
41	556006P	SCREW ST 8X1 TAB PAN PH NP (PKT10)
42	530674P	KIT ELCTRD SPRING&CLIP AUX MK1
NI	525983	FLEX ASSY MAINS US
NI	530372	KIT CONVERSION GC36 LPG
NI	530463	KIT HIGH ALT GC36 NG
NI	530464	KIT HIGH ALTITUDE JETS LPG
NI	531715P	KIT SUPPORT IGNITER WIRE PKT10