

This Owner's Manual is provided and hosted by [Appliance Factory Parts](#).



GE GLDT690TBB Owner's Manual

[Shop genuine replacement parts for GE GLDT690TBB](#)



[Find Your GE Dishwasher Parts - Select From 6722 Models](#)

----- Manual continues below -----

Installation Instructions

Built-In Dishwasher

If you have questions, call 800.GE.CARES (800.432.2737) or visit our Website at: GEAppliances.com
In Canada call 1.800.561.3344 or www.GEAppliances.ca



BEFORE YOU BEGIN

Read these instructions completely and carefully.

IMPORTANT – Observe all governing codes and ordinances.

- **Note to Installer** – Be sure to leave these instructions for the consumer's and local inspector's use.
- **Note to Consumer** – Keep these instructions with your Owner's Manual for future reference.
- **Skill Level** – Installation of this dishwasher requires basic mechanical, electrical and plumbing skills. *Proper installation is the responsibility of the installer. Product failure due to improper installation is not covered under the Warranty. See warranty information.*
- **Completion Time – 1 to 3 Hours.** New installations require more time than replacement installations.

IMPORTANT – The dishwasher **MUST** be installed to allow for future removal from the enclosure if service is required.

If you received a damaged dishwasher, you should immediately contact your dealer or builder.

FOR YOUR SAFETY

Read and observe all CAUTIONS and WARNINGS shown throughout these instructions. While performing installations described in this booklet, gloves and either safety glasses or goggles should be worn.

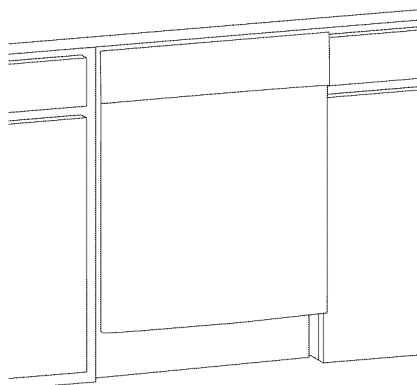


WARNING

To reduce the risk of electrical shock, fire, or injury to persons, the installer must ensure that the dishwasher is completely enclosed at the time of installation.

ADVERTENCIA

Para reducir el riesgo de descarga eléctrica, incendio o lesiones a personas, el instalador debe asegurarse de que el lavaplatos esté completamente cerrado en el momento de la instalación.



**READ CAREFULLY.
KEEP THESE INSTRUCTIONS.**

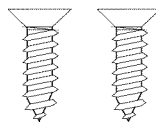


imagination at work

Installation Preparation

PARTS SUPPLIED:

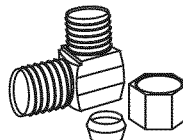
- ❑ Two #8 Phillips flat head wood screws, 5/8" long to secure dishwasher to underside of countertop (in literature package).



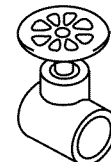
2 Wood Screws

MATERIALS YOU WILL NEED:

- ❑ Ferrule, compression nut and 90° Elbow (3/8" NPT external thread on one end, opposite end sized to fit water supply)
- ❑ Thread seal tape
- ❑ UL Listed wire nuts (3)



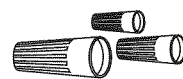
90° Elbow, Ferrule and Compression Nut



Hand Shut-Off Valve



Thread Seal Tape



Wire Nuts (3)

Materials For New Installations Only:

- ❑ Air gap for drain hose, if required
- ❑ Waste tee for house plumbing, if applicable
- ❑ Electrical cable or power cord, if applicable
- ❑ Screw type hose clamps
- ❑ Strain relief for electrical connection.
- ❑ Hand shut-off valve
- ❑ Water line 3/8" min. copper
- ❑ Coupler for extending drain line, if applicable



Waste Tee



Electrical Cable (or Power Cord, if applicable)



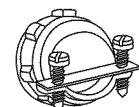
Hot Water line



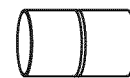
Air Gap



Screw Type Hose Clamps



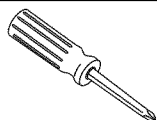
Strain Relief



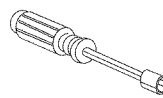
Coupler

TOOLS YOU WILL NEED:

- ❑ Phillips head screwdriver
- ❑ 5/16" and 1/4" nutdriver
- ❑ 6" Adjustable wrench
- ❑ Level
- ❑ Carpenters square
- ❑ Measuring tape
- ❑ Safety glasses
- ❑ Flashlight
- ❑ Bucket to catch water when flushing the line
- ❑ Gloves



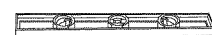
Phillips head screwdriver



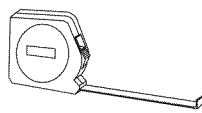
5/16" and 1/4" nutdriver



6" Adjustable wrench



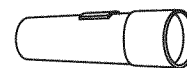
Level



Measuring tape

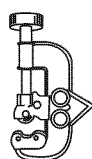
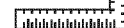


Safety glasses

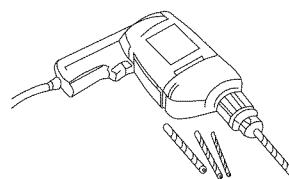


Flashlight

Carpenters square



Tubing cutter



Drill and Bits



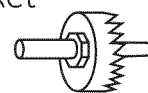
Bucket



Gloves

For New Installations Only:

- ❑ Tubing cutter
- ❑ Drill and appropriate bits
- ❑ Hole saw set



Hole saw set

Installation Preparation

PREPARE DISHWASHER ENCLOSURE

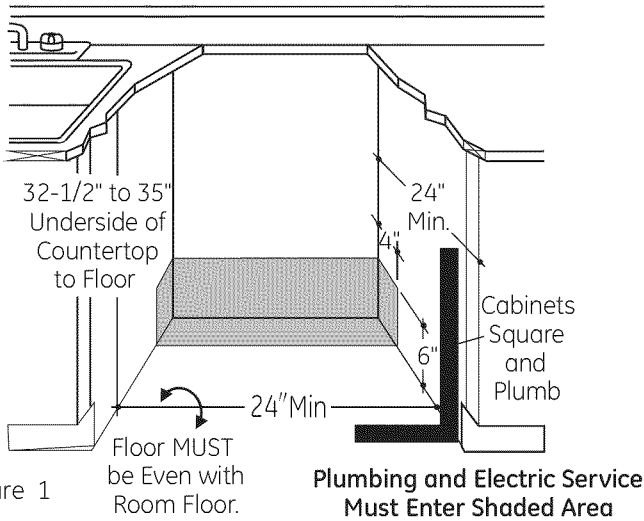


Figure 1

- The rough cabinet opening must be at least 24" deep and 23-5/8" To 24" Wide. The opening should be to 35" max. height.
- The dishwasher must be installed so that drain hose is no more than 10 feet in length for proper drainage.
- The dishwasher must be fully enclosed on the top,

CLEARANCES: When installed into a corner, allow 2" min. clearance between dishwasher and adjacent cabinet, wall or other appliances. Allow 25-5/8" min. clearance from the front of the dishwasher for door opening. Figure 2

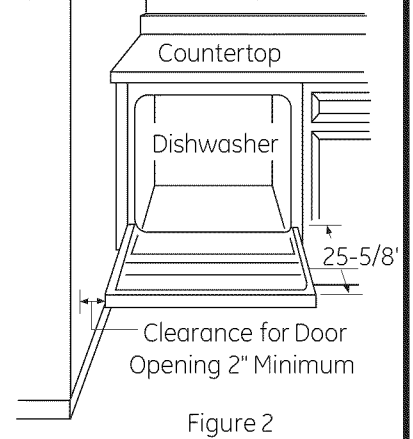


Figure 2

DRAIN REQUIREMENTS

Follow local codes and ordinances.

- Do not exceed 10 feet distance to drain.
- Do not connect drain lines from other devices to the dishwasher drain hose.
- Dishwasher must be connected to waste line with an air gap (not supplied) or 32" minimum high drain loop, depending on local codes and ordinances to prevent back flow into the dishwasher.
- Air gap must be used if waste tee or disposer connection is less than 18" above the floor to prevent siphoning.

DRAIN PREPARATION

The type of drain installation depends on answers to the following questions:

- Do local codes or ordinances require an air gap?
- Will waste tee or disposer connection be less than 18" above the floor?
- Will installation have a drain loop less than 32" above floor?

If the answer to **ANY** of the 3 questions above is **YES**, **Method 1 MUST be used**. Otherwise either Method 1 or Method 2 may be used. Figure 3 or Figure 4.

CAUTION:

An air gap **MUST BE USED** if the drain hose is connected to waste tee or disposer lower than 18" above the floor. Failure to provide the proper drain connection height with air gap or 32" minimum, high drain loop will result in improper draining of the dishwasher.

PRECAUCIÓN:

DEBE USARSE un espacio de aire si la manguera de drenaje se encuentra conectada a una T de eliminación o desecho inferior a 18" sobre el piso. No brindar la adecuada altura de conexión de drenaje con un espacio de aire o un circuito de desagüe de 32" como mínimo, provocará un drenaje inadecuado del lavaplatos.

Method 1 Air Gap with Waste Tee or Disposer

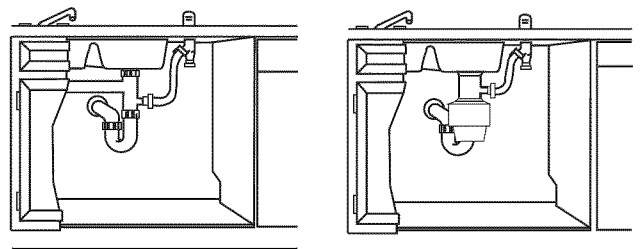


Figure 3

Method 2 High Drain with Waste Tee or Disposer

Provide a method to attach drain hose to underside of countertop.

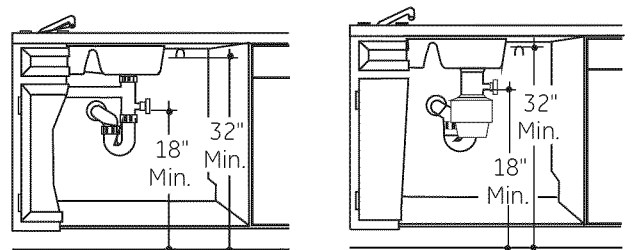


Figure 4

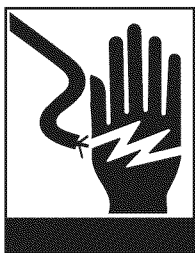
Install waste tee or disposer and air gap according to Manufacturer's instructions.

CABINET PREPARATION

- Drill a 1-1/2" dia. hole in the cabinet wall within the shaded areas shown in Figure 1 for the drain hose connection. The hole should be smooth with no sharp edges.

Installation Preparation

PREPARE ELECTRICAL WIRING



WARNING

FOR PERSONAL SAFETY: Remove house fuse or open circuit breaker before beginning installation. Do not use an extension cord or adapter plug with this appliance.

ADVERTENCIA

ADVERTENCIA PARA SEGURIDAD PERSONAL: Quite el fusible o abra el interruptor de circuitos antes de comenzar la instalación. No utilice un cable de extensión o un enchufe adaptador con este artefacto.

Electrical Requirements

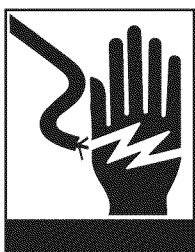
- This appliance must be supplied with 120V, 60Hz., and connected to an individual properly grounded branch circuit, protected by a 15 or 20 ampere circuit breaker or time delay fuse.
- Wiring must be 2 wire with ground.
- If the electrical supply does not meet the above requirements, call a licensed electrician before proceeding.

Grounding Instructions—Cable Direct

This appliance must be connected to a grounded metal, permanent wiring system, or an equipment grounding conductor must be run with the circuit conductors and be connected to the equipment grounding terminal or lead on the appliance.

Grounding Instructions—Power Cord Models

This appliance must be grounded. In the event of a malfunction or breakdown, grounding will reduce the risk of electrical shock by providing a path of least resistance for electric current. The plug must be plugged into an appropriate outlet that is installed and grounded in accordance with local codes and ordinances.



WARNING

The improper connection of the equipment grounding conductor can result in a risk of electric shock. Check with a qualified electrician or service representative if you are in doubt that the appliance is properly grounded.

ADVERTENCIA

La conexión inadecuada del conductor de conexión a tierra del equipamiento puede provocar un riesgo de descarga eléctrica. Consulte a un electricista calificado o representante de servicio técnico si tiene dudas sobre la correcta conexión a tierra del aparato.

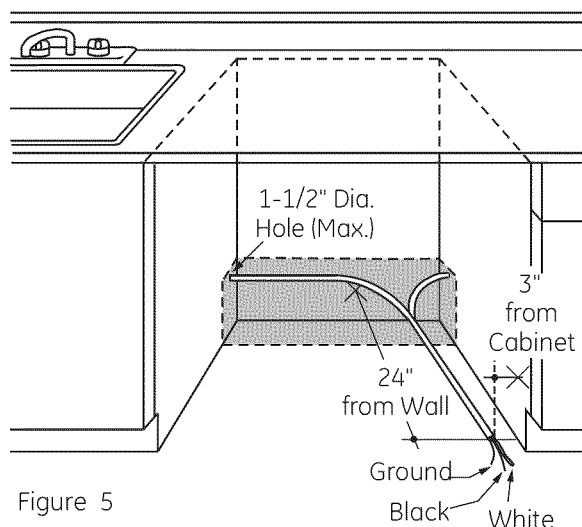


Figure 5

Cabinet Preparation & Wire Routing

- The wiring may enter the opening from either side, rear or the floor within the shaded area.
- Cut a 1-1/2" max. dia. hole to admit the electrical cable. The hole must be free of sharp edges. If the cabinet wall is metal, the hole edge must be covered with a bushing.
- Cable direct connections may pass through the same hole as the drain hose and hot water line, if convenient. If cabinet wall is metal, the hole edge must be covered with a bushing.

NOTE: Power cords with plug must pass through a separate hole.

Electrical Connection to Dishwasher

Electrical connection is on the right front of dishwasher .

- For cable direct connections the cable must be routed as shown in Figure 5. Cable must extend a minimum of 24" from the rear wall.
- For power cord connections, install a 3-prong grounding type receptacle. The power-supply receptacle for the appliance shall be installed in a cabinet or on a wall adjacent to the undercounter space in which the appliance is to be installed.

Installation Instructions

PREPARE HOT WATER LINE

- The line may enter from Either side, rear or floor within the shaded area shown in Figure F.
- The line may pass through the same hole as the electrical cable and Drain hose. Or, Cut an additional 1-1/2" dia. hole to accommodate the water line. If power cord with plug is used, water line Must not pass through power cord hole.

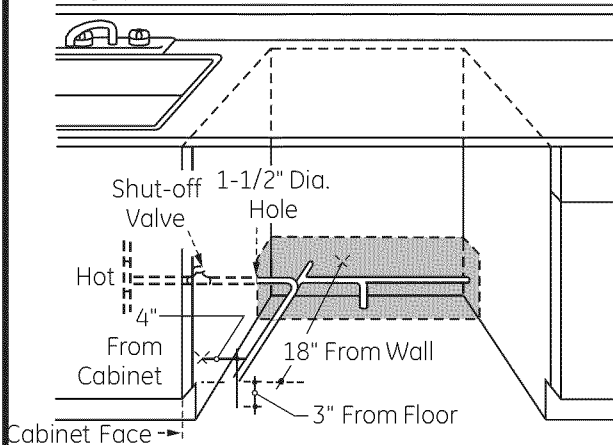


Figure 6

Water Line Connection

- Turn off the water supply.
- Install a hand shut-off valve in an accessible location, such as under the sink. (Optional, but strongly recommended and may be required by local codes.)
- Water connection is on the left side of the dishwasher. Install the hot water inlet line, using no less than 3/8" O.D. copper tubing. Route the line as shown in Figure F and extend forward at least 18" from rear wall.
- Adjust water heater for 120 F to 150 F temperature.
- Flush water line to clean out debris.
- The hot water supply line pressure must be 20-120PSI.

BEFORE YOU BEGIN



Locate and set aside the package containing 2 phillips head counter top mounting screws and 2 additional toekickscrews (located in the literature).

STEP 1 - CHECK DOOR BALANCE

To check the door balance, hold the top of the dishwasher firmly.

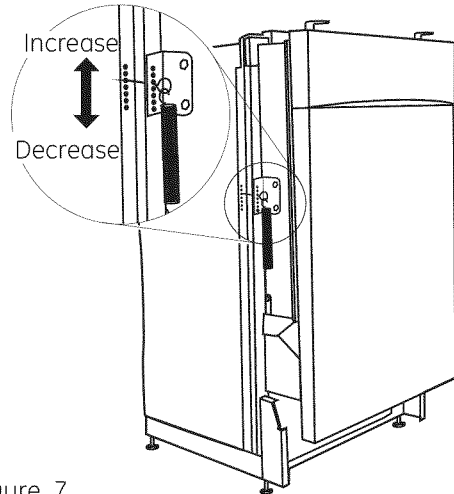
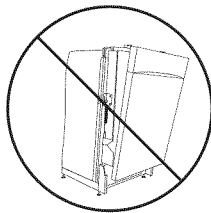


Figure 7

- Open the door slowly, if the door drops when released, increase spring tension. If the door closes when released, decrease tension.
- Pull the spring adjustment pin out of the holes, insert in the next highest or lowest hole and test again.
- Adjust both door springs to the same tension.
- Continue moving the spring pin until door is balance.

CAUTION:

Opening the door will cause the dishwasher to tip forward. **Do not open the door until you are ready to install the dishwasher**. If it is necessary to open the door, hold the top of the dishwasher securely with one hand and hold the door with the other hand.



PRECAUCIÓN:

Abrir la puerta hará que el lavaplatos se incline hacia adelante. No abra la puerta hasta que esté listo para instalar el lavaplatos. Si es necesario abrir la puerta, sostenga la parte superior del lavaplatos firmemente con una mano y sujete la puerta con la otra.

Installation Instruction

STEP 2 – ADJUST LEVELING LEGS

- Move the dishwasher close to the installation location and lay it on its back.

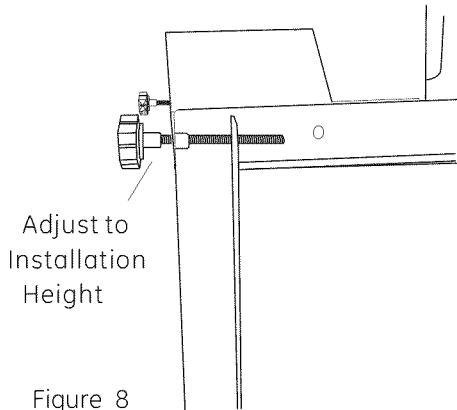


Figure 8

- Measure installation height and dishwasher height. Extend leveling legs out from the dishwasher base, 1/4" less than installation height.

STEP 3 – REMOVE TOEKICK

- Remove the 2 toekick screws. Lift off the 2 piece toekick.

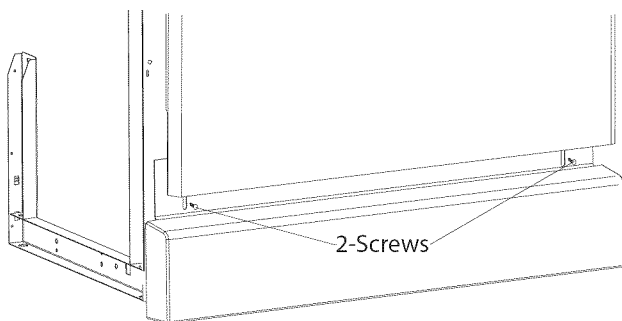


Figure 9

STEP 4 – INSTALL POWER CORD

Skip this step if dishwasher will be direct wired.

The power cord and connections must comply with the National Electrical Code, Section 422 and/or local codes and ordinances.

Recommended power cord length is 54" min. and 64" max.

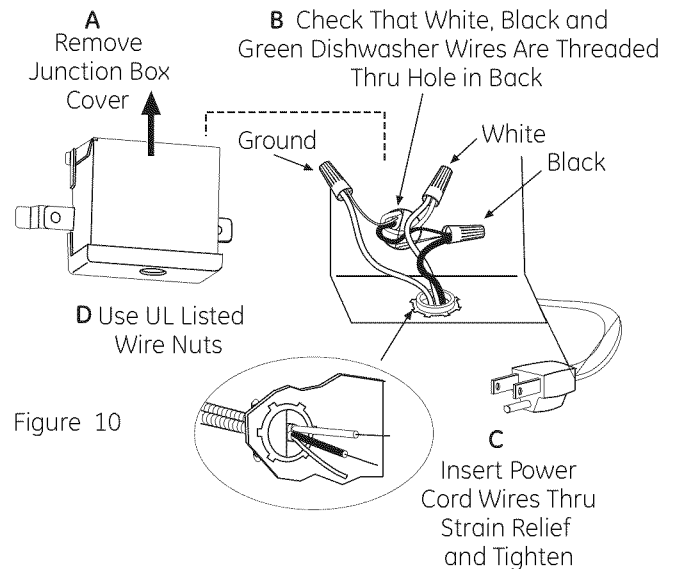


Figure 10

Connect incoming power cord white (or ribbed) to dishwasher white. Black (or smooth) to black. Ground to dishwasher green wire. Use UL listed wire nuts of appropriate size. Replace junction box cover. Be sure wires are not pinched under the cover.

STEP 5 – INSTALL 90° ELBOW

Wrap 90 elbow with thread seal tape. Install a 90 elbow onto the water valve.

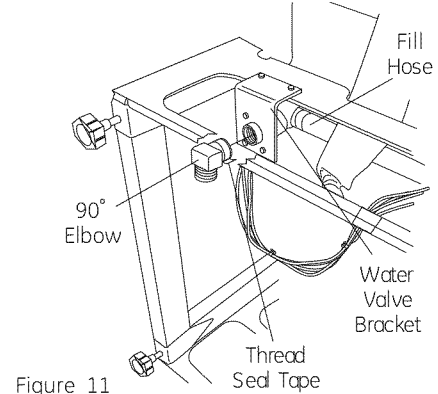


Figure 11

- Do not over Tighten 90° elbow, water valve bracket could bend or water valve fitting could break.
- Position the end of the elbow to face the rear of the dishwasher.

Installation Instructions

STEP 6 – POSITION WATER LINE AND HOUSE WIRING

•Position water supply line and house wiring on the floor of the opening to avoid interference with base of dishwasher and components under dishwasher.

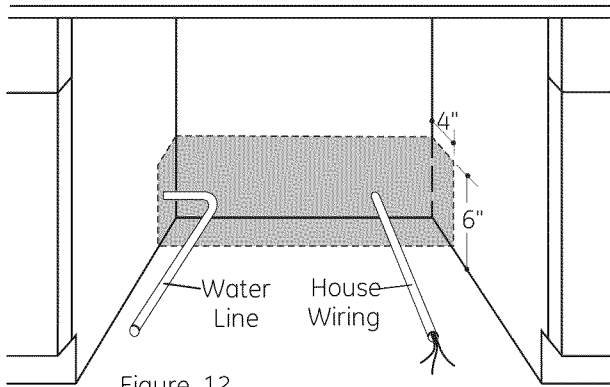


Figure 12

STEP 7 – INSERT DRAIN HOSE THROUGH CABINET

•Upright the dishwasher and position in front of the opening. Insert drain hose into cabinet wall hole. If a power cord is used, guide the end through a separate hole.

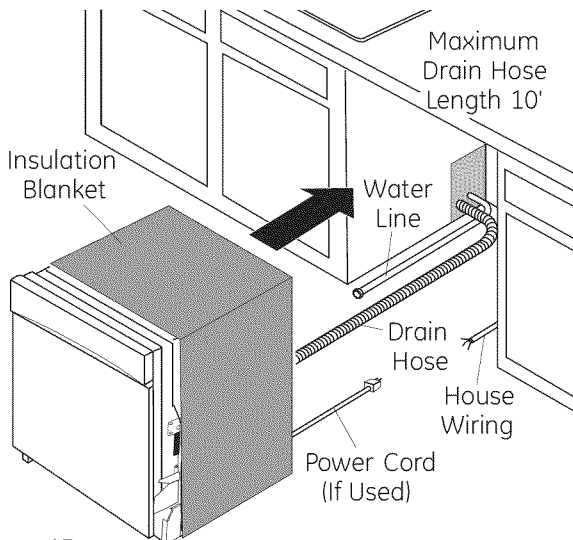


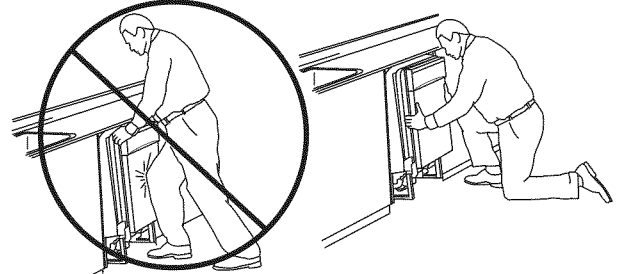
Figure 13

TIP: Position water line and house wiring on the floor to avoid interference with base of dishwasher.

STEP 8 – SLIDE DISHWASHER PARTIALLY INTO CABINET

DO NOT PUSH AGAINST FRONT PANEL WITH KNEES. DAMAGE WILL OCCUR.

•Slide dishwasher into the opening a few inches at a time.



Do Not Push Against Front Door Panel With Knee. Damage to The Door Panel Will Occur.

Figure 14

•As you proceed, pull the drain hose through the opening under the sink. Stop pushing when the dishwasher is a few inches forward of adjacent cabinetry.

•Make sure drain hose is not kinked under the dishwasher and there is no interference with the water line and wiring or any other component.

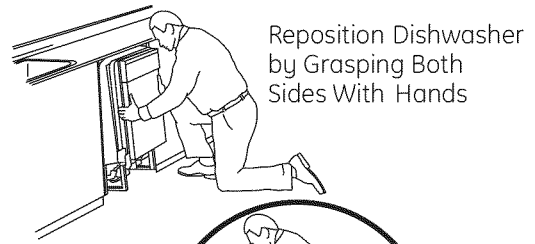
Installation Instructions

STEP 9 – POSITION DISHWASHER UNDER COUNTERTOP

•Check to be sure that wires are secure under the dishwasher and not pinched or in contact with door springs or other dishwasher components.

TIP: Check tub insulation blanket, if equipped. It should be positioned so it is not bunched up or interfering with door springs. Check by opening and closing the door.

•Dishwasher door should be flush with cabinet doors. Be careful not to dent front panel with knees or damage countertop or cabinets with dishwasher parts.



Do Not Push Against Front Door Panel With Knee. Damage to The Door Panel Will Occur.

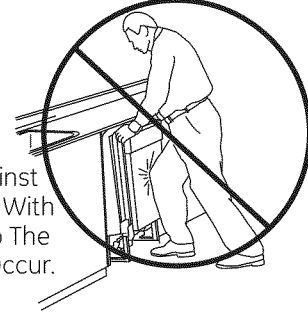


Figure 15

STEP 10 – LEVEL DISHWASHER

IMPORTANT – Dishwasher Must be level for proper dish rack operation and wash performance.

Place level on door and rack track inside the tub as shown to check that the dishwasher is level.

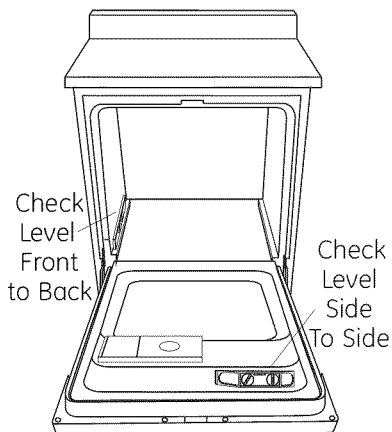
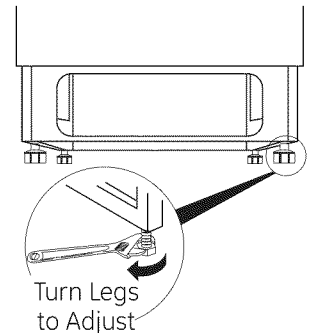


Figure 16

• Level the dishwasher by adjusting the four leveling legs individually.



TIP: Pull lower rack out, about halfway. Check to be sure the rack does not roll forward or back into dishwasher. If the rack rolls in either direction, the dishwasher must be leveled again.

•If door hits the tub, the dishwasher is not installed correctly. Adjust leveling legs to align door to tub.

Installation Instructions

STEP 11 – SECURE DISHWASHER TO CABINET

The dishwasher must be secured to the countertop.

- Position the dishwasher so that the tub flange aligns with the front face of the cabinet frame.

IMPORTANT – Check to be sure the dishwasher is centered in the opening and there is no interference with adjacent cabinets when opening or closing the door.

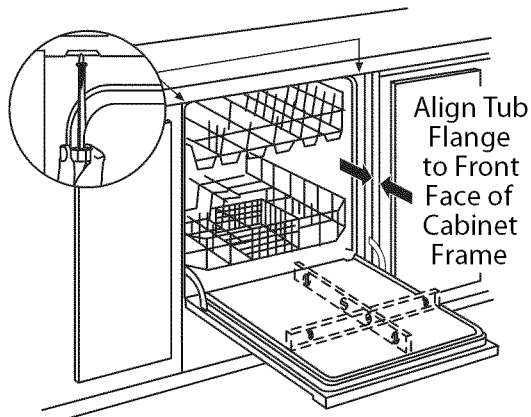


Figure 18

- Fasten the dishwasher to the underside of the countertop with the 2 Phillips screws provided.

IMPORTANT – Drive screws straight and flush. Protruding screw heads will scratch the top of the control panel and can interfere with door closing.

STEP 12 – CONNECT WATER SUPPLY

Connect water supply line to 90° elbow.

- Slide compression nut, then ferrule over end of water line.
- Insert water line into 90° elbow.
- Slide ferrule against elbow and secure with compression nut.

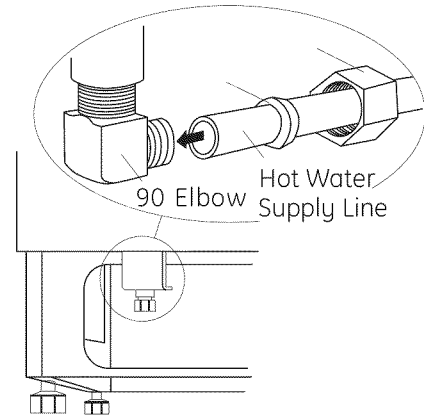


Figure 19

IMPORTANT – Check to be sure that door spring does not rub or contact the fill hose or water supply line. Test by opening and closing the door. Re-route the lines if a rubbing noise or interference occurs.

Installation Instructions

STEP 13 – CONNECT DRAIN LINE

FOLLOW ALL LOCAL CODES AND ORDINANCES.

The drain hose molded end will fit 5/8", 3/4" or 1" diameter connections on the air gap, waste tee or disposer. Cut on the marked line as required for your installation.

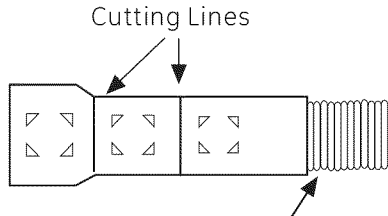


Figure 20

IMPORTANT: Do not cut corrugated portion of hose

- If a longer drain hose is required, add up to 42" off length for a total of 10ft. to the factory installed hose. Use 5/8" or 7/8" inside diameter hose and a coupler to connect the two hose ends. Secure the connection with hose clamps.

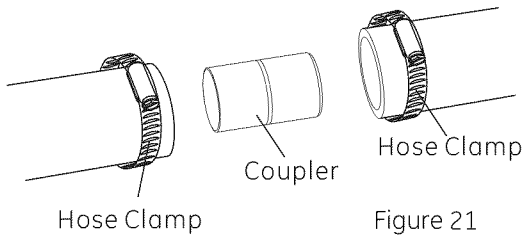


Figure 21

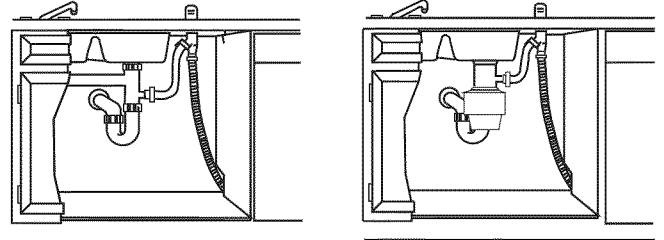
- Secure the drain hose to the air gap, waste tee or disposer with clamps.

NOTE: TOTAL DRAIN HOSE LENGTH MUST NOT EXCEED 10 FEET FOR PROPER DRAIN OPERATION.

DRAIN LINE INSTALLATION

- Connect drain line to air gap, waste tee or disposer using either previously determined method.

Method 1- Air gap with waste tee or disposer

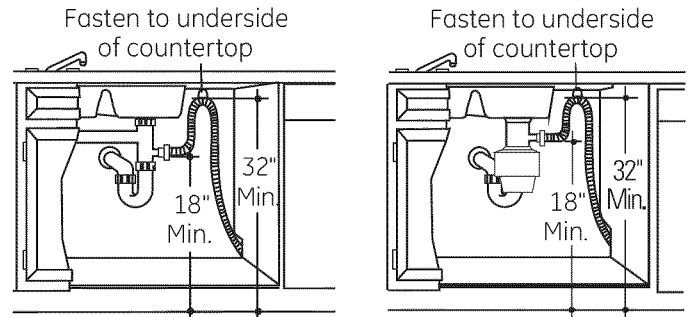


Waste Tee Installation

Disposer Installation

Figure 22

Method 2- High drain loop with waste tee or disposer



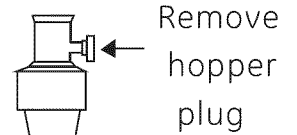
Waste Tee Installation

Disposer Installation

Figure 23

IMPORTANT -

When connecting drain line to disposer, check to be sure that drain plug has been removed. **DISHWASHER WILL NOT DRAIN IF PLUG IS LEFT IN PLACE.**



TIP: Avoid unnecessary service call charges. Always be sure disposer drain plug has been removed before attaching dishwasher drain hose to the disposer.

Installation Instructions

STEP 14 – CONNECT POWER SUPPLY

Skip this step if equipped with power cord.
Verify that power is turned off at the source.

- Remove junction box Cover "A".
- Locate the three dishwasher wires, (white, black and green) with stripped ends. Insert dishwasher wires through the small hole in the Junction Box "B".
- Secure house wiring to the bottom of the junction box with a strain Relief "C"
- Use wire nuts to connect incoming ground to green, white to white and black to black "D".
- Replace junction box cover "E". check to be sure that wires are not pinched under the cover.

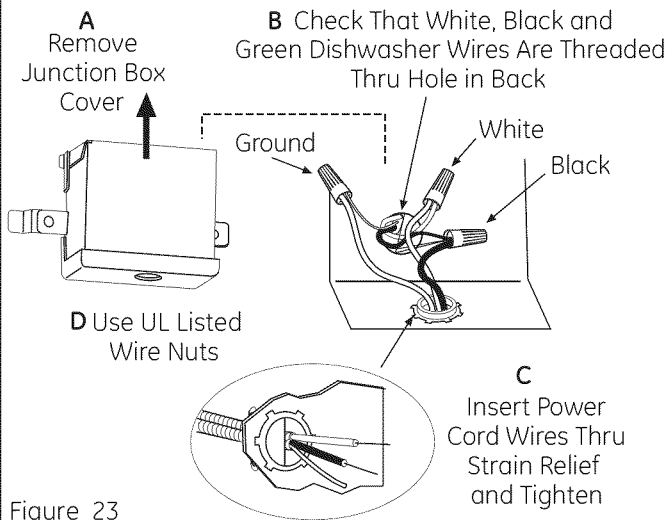
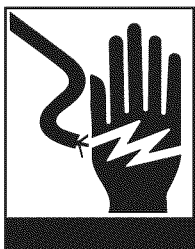


Figure 23

E. Replace Junction Box Cover



WARNING

If house wiring is not 2-wire with ground, a ground must be provided by the installer. When house wiring is aluminum, be sure to use UL Listed anti-oxidant compound and aluminum to copper connectors

STEP 15 – PRE-TEST CHECKLIST

Review this list after installing your dishwasher to avoid charges for a service call that is not covered by your warranty.

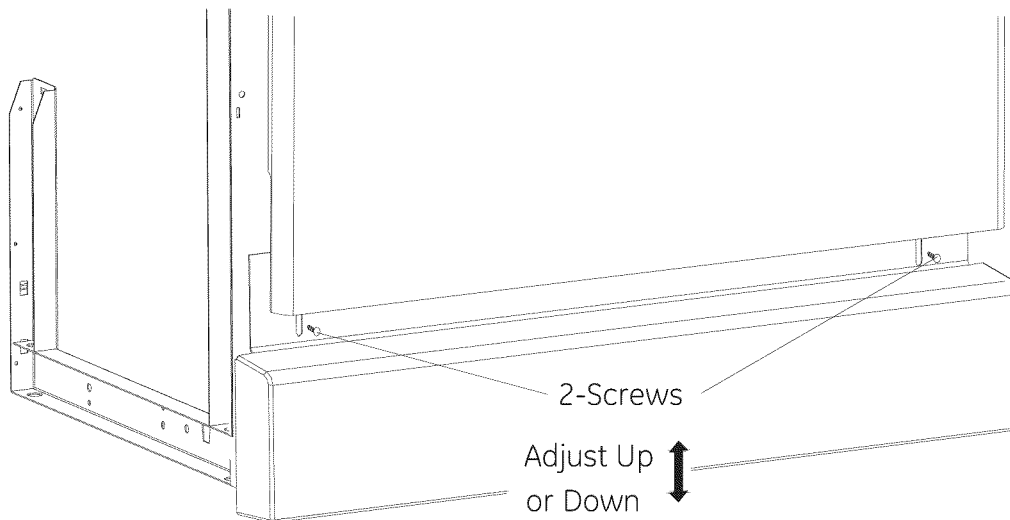
- Check to be sure Power is OFF.
- Open door and remove all foam and paper packaging.
- Locate the Owner's manual in the literature package.
- Read the Owner's Manual for operating instructions.
- Check door opening and closing. If door does not open and close freely or tends to fall, check spring adjustments. See Step 1.
- Check to be sure that wiring is secure under the dishwasher, not pinched or in contact with door springs or other components. See Step 9.
- Check door alignment with tub. If door hits tub, level dishwasher. See Step 10.
- Pull lower rack out, about half way. Check to be sure it does not roll back or forward on the door. If the rack moves, adjust leveling legs. See Step 10.
- Check door alignment with cabinet. If door hits cabinet, reposition or relevel dishwasher. See Step 10.
- Verify water supply and drain lines are not kinked or in contact with other components. Contact with motor or dishwasher frame could cause noise. See Step 8.
- Turn on the sink hot water faucet and verify water temperature. Incoming water temperature Must be between 120° F and 150 F. A Minimum of 120 F temperature is required for best wash performance. See "Prepare Hot Water Line", page 5.
- Add 2 quarts of water to the bottom of the dishwasher to lubricate the pump seal.
- Turn on water supply. Check for leaks. Tighten connections if needed.
- Remove protective film if present from the control panel and door..

Installation Instructions

STEP 16 – DISHWASHER WET TEST

- ❑ Turn on power supply(or plug power cord into outlet, if equipped).
- ❑ Turn on Dishwasher
- ❑ Select “Normal wash” program.
- ❑ Close the door. There will be a 5 second pause, followed by a 60 second pump-out.
- ❑ Check to be sure that water enters the dishwasher. If water does not enter the dishwasher,check to be sure that water and power are turned on.
- ❑ Check for leaks under the dishwasher. If a leak is found,turn power supply off, then tighten connections. Restore power after leak is corrected.
- ❑ Check for leaks around the door. A leak around the door could be caused by door rubbing or hitting against adjacent cabinetry. Reposition the dishwasher if necessary.See step 9.
- ❑ The dishwasher will drain about 12 minutes after the first fill. Check drain lines.If leaks are found,turn power off at the breaker and correct plumbing as necessary. Restore power after corrections are made. See Step 12.
- ❑ Open dishwasher door and make sure most of the water has drained.If not, check that disposer plug has been removed and/or air gap is not plugged. See Step 13. Also check drain line for kinking.
- ❑ Run the dishwasher through another fill and drain cycle. Check for leaks and correct if required.

STEP 17 – REPLACE TOEKICK



Install 2 toekick screws to fasten toekick. Allow the toe kick to touch the floor.

STEP 18 – LITERATURE

Be sure to leave complete literature package and installation instructions with consumer.

NOTE: The manufacturer, following a policy of constant development and up-dating of the product,may make modifications without giving prior notice.

Instructions d'installation

Lave-vaisselle encastré

Si vous avez des questions, appelez 800.GE.CARES ou visitez notre site Web : GEAppliances.com

Au Canada, appelez le 1.800.561.3344 ou visitez : www.electromenagersge.ca

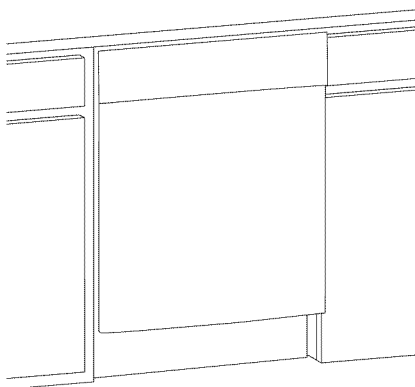


AVANT DE COMMENCER

Il faut lire soigneusement toutes ces instructions

IMPORTANT – Il faut respecter tous les codes et règlements.

- **Remarque pour l'installateur** – Il faut prendre soin de laisser ces instructions pour le client et l'inspecteur local.
- **Remarque pour le consommateur** – Il faut garder ces instructions avec le manuel d'utilisation, pour consultation ultérieure.
- **Niveau de compétence** – L'installation de ce lave-vaisselle demande des connaissances mécaniques, électriques et de plomberie de base. **L'installateur est responsable de l'installation appropriée. La garantie des appareils ménagers de GE ne couvre pas les défaillances du produit causées par une mauvaise installation. Consulter les renseignements dans la garantie.**
- **Durée d'installation – 1 à 3 heures.** Les installations initiales demandent plus de temps que les installations de remplacement.



imagination at work

IMPORTANT

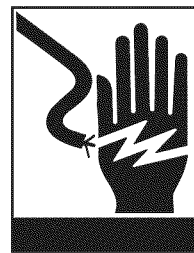
– Le lave-vaisselle DOIT être installé de manière à permettre la dépose ultérieure de l'enceinte afin de permettre toute intervention.

Si le lave-vaisselle livré est endommagé, il faut contacter immédiatement le concessionnaire ou l'entrepreneur de construction.

Accessoires optionnels – Consulter la liste de nécessaires de panneaux de finition dans le manuel d'utilisation.

SÉCURITÉ

Il faut lire et observer tous les avertissements (PRUDENCE et ATTENTION) montrés dans ces instructions. Pendant l'installation décrite dans ce livret, il faut porter des gants et des lunettes de sécurité.



AVERTISSEMENT

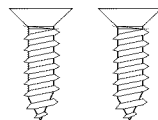
Pour réduire le risque de choc électrique, d'incendie ou de blessures, l'installateur doit s'assurer que le lave-vaisselle est complètement enclos au moment de l'installation.

**LIRE ATTENTIVEMENT.
IL FAUT GARDER CES
INSTRUCTIONS.**

Préparation pour l'installation

PIÈCES FOURNIES:

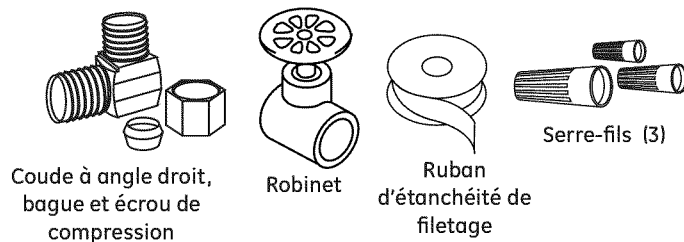
- Deux vis à bois à tête plate cruciforme numéro 8, de 1,6 cm de long pour bloquer le lave-vaisselle sur le dessous du comptoir (dans la documentation).



Vis spéciales à tête cruciforme

MATÉRIAUX NÉCESSAIRES:

- Bague, écrou de compression et coude à angle droit (filetage externe de 3/8 po à une extrémité, l'autre extrémité correspondant à l'alimentation d'eau)
- Ruban d'étanchéité de filetage
- Serre-fils sur la liste UL (3)



Coude à angle droit, bague et écrou de compression

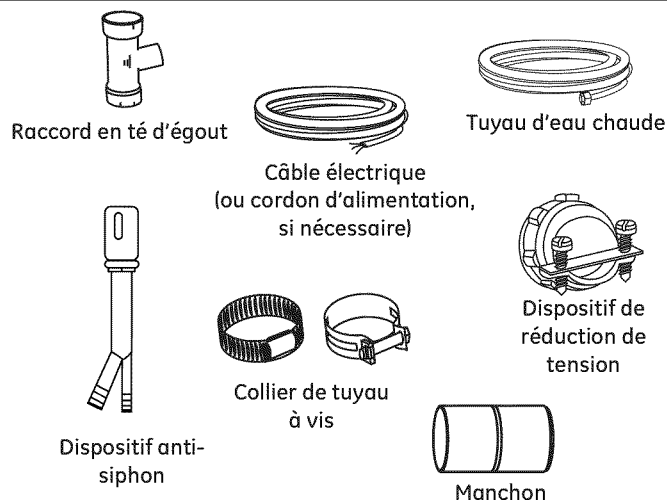
Robinet

Ruban d'étanchéité de filetage

Serre-fils (3)

Matériaux uniquement requis en cas d'installation initiale:

- Dispositif anti-siphon pour le tuyau de vidange, si nécessaire
- Raccord en té pour la plomberie d'égout, si nécessaire
- Câble électrique ou cordon d'alimentation
- Colliers de tuyau à vis
- Dispositif de réduction de tension pour les branchements électriques
- Robinet
- Conduite d'eau en cuivre de 3/8 po minimum
- Tuyau de vidange GPF10L (longueur de 3 m [10 pi]) si nécessaire



Raccord en té d'égout

Tuyau d'eau chaude

Câble électrique (ou cordon d'alimentation, si nécessaire)

Dispositif de réduction de tension

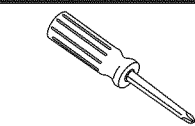
Dispositif anti-siphon

Collier de tuyau à vis

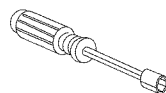
Manchon

OUTILS NÉCESSAIRES:

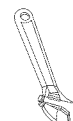
- Tournevis cruciforme
- Tournevis à douille de 1/4 po et 5/16 po
- Clé à molette de 15 cm (6 po)
- Niveau
- Équerre de menuisier
- Mètre ruban
- Lunettes de sécurité
- Lampe de poche
- Seau pour attraper l'eau lors de la purge du tuyau
- Gants



Tournevis cruciforme



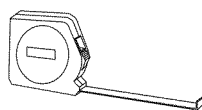
Tournevis à douille de 5/16 po et 1/4 po



Clé à molette de 15 cm (6 po)



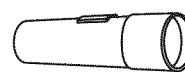
Niveau



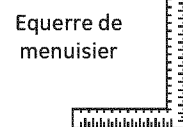
Mètre ruban



Lunettes de sécurité



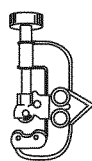
Lampe de poche



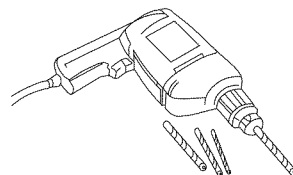
Équerre de menuisier

Pour les installations initiales seulement :

- Coupe-tube
- Perceuse et mèches appropriées
- Scie-cloche



Coupe-tube



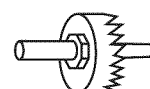
Perceuse et mèches appropriées



Seau



Gants



Scie-cloche

Installation Preparation

PRÉPARER L'ENCEINTE DU LAVE-VAISSELLE

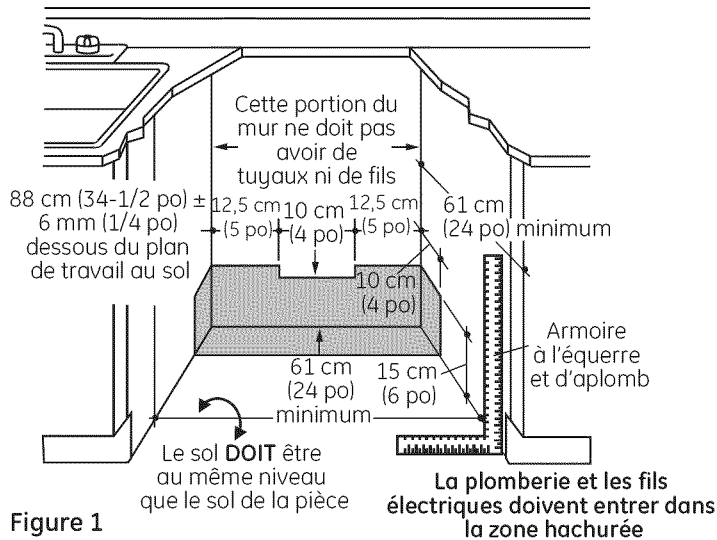


Figure 1

- L'ouverture brute du placard doit être d'au moins 61 cm de profondeur et de 60 à 61 cm de large. L'ouverture doit avoir une hauteur max de 89 cm.
- Le lave-vaisselle doit être installé de manière à ce que le tuyau de vidange ne soit pas plus de 3 m de long pour assurer une bonne vidange.
- Le lave-vaisselle doit être complètement enclos sur le dessus, les côtés et l'arrière et ne doit supporter aucune partie de l'enceinte.

DÉGAGEMENTS : Lors de l'installation dans un coin, compter 5 cm min de dégagement entre le lave-vaisselle et le placard, les murs ou appareils adjacents. Compter 65 cm de dégagement minimum depuis le devant du lave-vaisselle pour l'ouverture de la porte. Figure 2

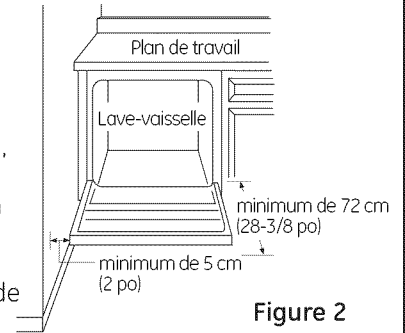


Figure 2

SPÉCIFICATIONS DE VIDANGE

Observer toutes les réglementations et ordonnances en vigueur.

- Ne pas dépasser 3 m de distance au drain.
- Ne pas connecter les conduites de vidange d'autres appareils au tuyau de vidange du lave-vaisselle.
- Le lave-vaisselle doit être connecté à la conduite de vidange avec un dispositif anti-siphon (non fourni) ou une boucle de vidange de 81 cm de haut minimum, selon les réglementations et ordonnances en vigueur pour éviter le reflux dans le lave-vaisselle.
- Pour éviter le siphonage, un dispositif anti-siphon doit être utilisé si le té de vidange ou la connexion au broyeur est à moins de 46 cm au-dessus du sol.

PRÉPARATION DE LA VIDANGE

Est-ce que les réglementations ou ordonnances en vigueur nécessitent un dispositif anti-siphon?

Est-ce que la connexion du broyeur ou le té de vidange sera à moins de 46 cm au-dessus du sol?

Est-ce que l'installation présente une boucle de vidange à moins de 81 cm au-dessus du sol?

Si la réponse à N'IMPORTE LAQUELLE des 3 questions ci-dessus est OUI, la Méthode 1 DOIT être suivie. Sinon, la méthode 1 ou la méthode 2 peut être utilisée. Figure 3 ou Figure 4

ATTENTION:

Il FAUT UTILISER un dispositif anti-siphon si le tuyau de vidange est connecté au té de vidange ou au broyeur à moins de 46 cm au-dessus du sol. Ne pas assurer la bonne hauteur de connexion de vidange avec un dispositif anti-siphon ou une boucle de vidange de 81 cm de haut minimum résultera en une vidange incorrecte du lave-vaisselle.

MÉTHODE 1 – Dispositif anti-siphon avec raccord en té d'égout ou de broyeur à déchets

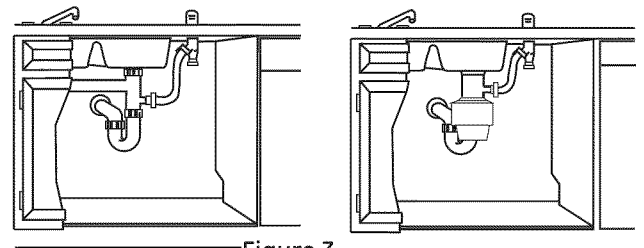


Figure 3

MÉTHODE 2 – Boucle de vidange élevée avec un raccord en té d'égout ou broyeur à déchets

Utiliser le porte-tuyau de vidange compris dans le kit de montage pour suspendre le tuyau de vidange sous le plan de travail. Ceci sera accompli à une étape ultérieure.

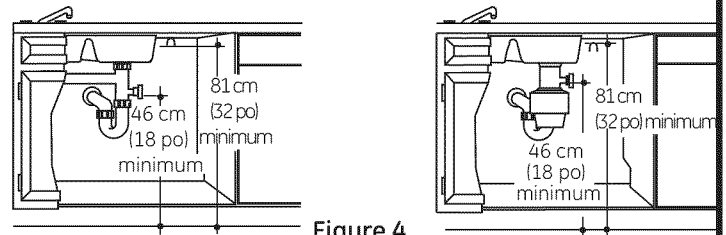


Figure 4

Installer le broyeur ou le té de vidange et le dispositif anti-siphon conformément aux instructions du fabricant.

PRÉPARATION DU PLACARD

- Percer un trou de 3,8 cm de diamètre dans la paroi du placard dans les surfaces ombrées illustrées Figure 1 pour la connexion du tuyau de vidange. Le trou doit être lisse sans bord vif

Préparation pour l'installation - Alimentation électrique

PRÉPARATION POUR LE BRANCHEMENT ÉLECTRIQUE

AVERTISSEMENT **SÉCURITÉ :**
Enlever le fusible du circuit ou déclencher le disjoncteur avant de commencer l'installation. Avec cet appareil, ne pas utiliser une rallonge ou un adaptateur de prise.

Alimentation électrique

- Cet appareil doit avoir une alimentation en 120 V, 60 Hz, et être branché à un circuit indépendant correctement mis à la terre, protégé par un disjoncteur de 15 ou 20 A ou un fusible temporisé.
- Le branchement doit être fait avec deux fils plus un fil de terre, homologués pour une température de 80 °C (176 °F).
- Si l'alimentation électrique n'est pas conforme à ces conditions, appeler un électricien agréé avant de continuer.

Mise à la terre – Raccord permanent

Cet appareil doit être raccordé de façon permanente à un réseau de fils métalliques mis à terre ou il faut installer un fil de mise à terre avec les fils d'alimentation. Ce fil doit être branché à la borne de terre de l'équipement ou à un fil sur l'appareil.

Instructions de mise à la terre – Modèles avec un cordon d'alimentation

Cet appareil doit être mis à la terre. En cas de mauvais fonctionnement ou de panne, la mise à la terre réduit le risque de choc électrique en fournissant un passage de moindre résistance au courant électrique. Cet appareil est équipé d'un cordon d'alimentation avec un conducteur de mise à la terre et une fiche de terre. Il faut brancher la fiche dans une prise appropriée, installée et mise à la terre conformément aux codes et règlements locaux.

AVERTISSEMENT **Le mauvais branchement du conducteur de mise à la terre peut causer des risques de choc électrique. En cas de doute sur la mise à la terre de l'appareil, consulter un électricien agréé ou un technicien de réparation. Ne pas modifier la fiche fournie avec l'appareil.**

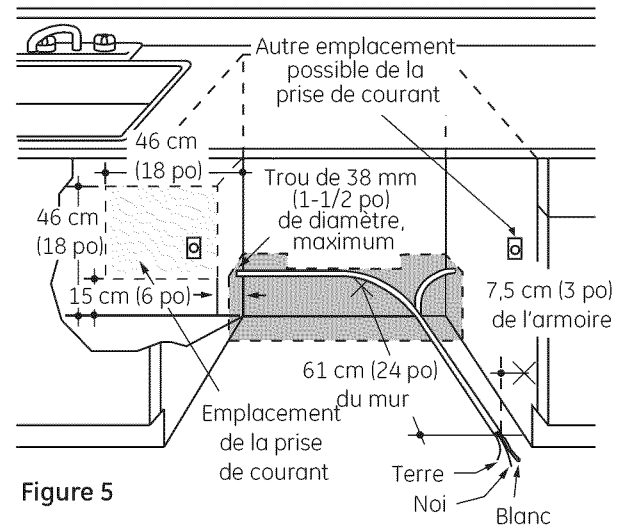


Figure 5

Préparation de l'armoire et du passage des fils

- Le câblage peut entrer dans l'ouverture d'un côté ou de l'autre, de l'arrière ou du plancher dans la zone ombrée.
- Couper un trou de 3,8 cm max de diamètre pour laisser passer le câble électrique. Le trou doit être lisse sans bord vif. Si la paroi du placard est en métal, le bord du trou doit être couvert d'un coussinet.
- Les connexions directes de câble doivent passer par le même trou que le tuyau de vidange et la conduite d'eau chaude, si cela est commode. Si la paroi du placard est en métal, le bord du trou doit être couvert d'un coussinet.

REMARQUE : Le cordon d'alimentation avec une fiche doit passer dans un trou séparé.

Branchement électrique du lave-vaisselle

Le branchement électrique se fait sur le côté droit du lave-vaisselle.

- Pour les branchements directs, le câble doit passer comme montré à la figure E. Il doit y avoir une longueur de câble d'au moins 61 cm (24 po) dépassant du mur arrière.
- Pour les connexions de cordon d'alimentation, installer une prise du type à 3 broches avec terre. La prise d'alimentation de l'appareil doit être installée dans un placard ou sur un mur adjacent à l'espace sous le comptoir dans lequel l'appareil doit être installé.

Préparation pour l'installation - Alimentation d'eau chaude

PRÉPARATION DE L'ALIMENTATION D'EAU CHAUDE

Tuyau d'eau chaude

- Le tuyau peut entrer d'un côté ou de l'autre, de l'arrière ou du sol, dans la zone hachurée montrée à la figure F.
- Le tuyau peut passer dans le même trou que le câble électrique et le tuyau de vidange. Il est aussi possible de couper un trou supplémentaire de 38 mm (1-1/2 po) de diamètre uniquement pour le tuyau d'eau. En cas d'utilisation d'un cordon d'alimentation avec une fiche, celui-ci doit passer dans le trou d'alimentation électrique.

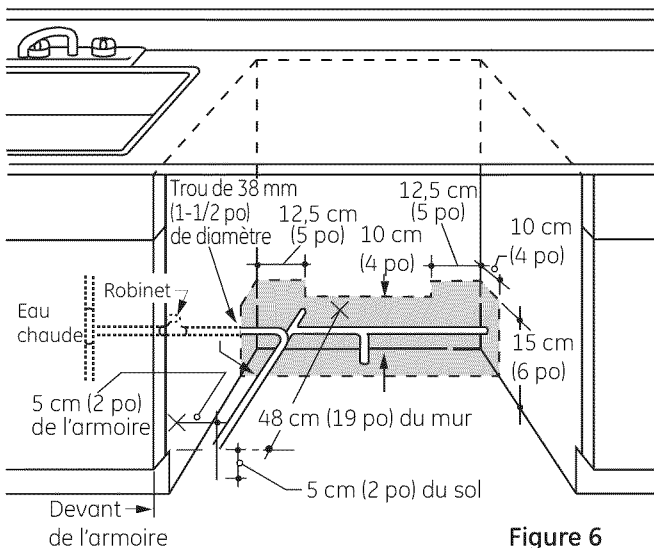


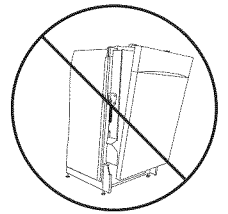
Figure 6

Branchement du tuyau d'eau

- Couper l'alimentation d'eau.
- La connexion d'eau est du côté gauche du lave-vaisselle. Installer la conduite d'arrivée d'eau chaude, en n'utilisant rien de moins que du tube de cuivre de 0,9 cm de diamètre extérieur. Acheminer la conduite comme illustré Figure F et prolonger d'au moins 46 cm vers l'avant depuis la paroi arrière.
- La conduite d'eau se branche au côté gauche inférieur du lave-vaisselle. Installer la conduite d'alimentation d'eau chaude avec un tuyau en cuivre de minimum 9 mm (3/8 po). Acheminer la conduite tel illustré à la figure F et l'amener à un minimum de 48 cm (19 po) du mur arrière.
- Régler le chauffe-eau pour que l'eau sorte à une température de 49 à 65 °C (120 à 150 °F).
- Rincer la conduite d'eau pour éliminer les débris
- La pression de la conduite d'alimentation d'eau chaude doit être entre 1,4 et 8,3 bar (20 et 120 psi).

ATTENTION:

Ouvrir la porte fait basculer le lave-vaisselle vers l'avant. Ne pas ouvrir pas la porte avant d'être prêt à installer le lave-vaisselle. S'il est nécessaire d'ouvrir la porte, maintenir fermement le dessus du lave-vaisselle d'une main et tenir la porte de l'autre main.



AVANT DE COMMENCER



Identifier et mettre de côté le paquet contenant 2 vis de fixation au comptoir à tête cruciforme et 2 vis supplémentaires de plaque du bas (dans la documentation).

ÉTAPE 1 - VÉRIFICATION DE L'ÉQUILIBRAGE DE LA PORTE

Pour vérifier l'équilibrage de la porte, tenir fermement le dessus du lave-vaisselle..

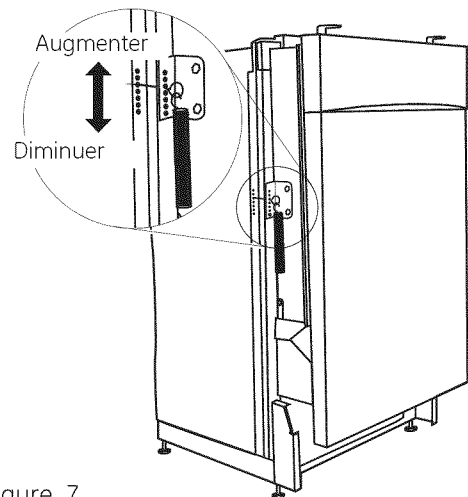


Figure 7

- Ouvrir lentement la porte, si la porte retombe lorsqu'elle est relâchée, augmenter la tension du ressort. Si la porte se ferme lorsqu'elle est relâchée, diminuer la tension.
- Sortir des trous la goupille de réglage de ressort, l'insérer dans le trou juste au dessus ou juste en dessous et essayer de nouveau.
- Régler les deux ressorts de porte à la même tension.
- Continuer de déplacer la goupille de ressort jusqu'à ce que la porte soit équilibrée.

Installation du lave-vaisselle

ÉTAPE 2 – RÉGLAGE DES PIEDS DE MISE À NIVEAU

- Rapprocher le lave-vaisselle de l'emplacement d'installation et le poser sur son dos.

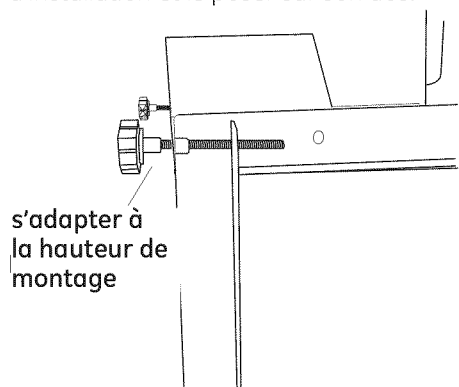


Figure 8

- Mesurer la hauteur d'installation et la hauteur du lave-vaisselle. Prolonger les pieds de mise à niveau de sous la base du lave-vaisselle, 6 mm de moins que la hauteur d'installation.

ÉTAPE 3 – DÉPOSE DE LA PLAQUE DU BAS

- Retirer les 2 vis de la plaque du bas. Soulever la plaque du bas en 2 parties.

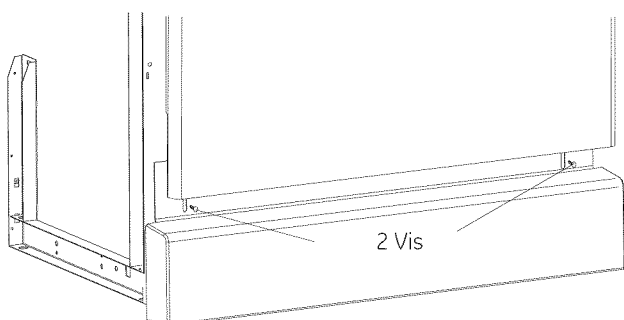


Figure 9

ÉTAPE 4 – INSTALLATION DU CORDON D'ALIMENTATION

Sauter cette étape si le lave-vaisselle doit être câblé directement.

Le cordon d'alimentation et les connexions doivent être conformes au code électrique national, section 422 et(ou) aux réglementations et ordonnances en vigueur.

Longueur de cordon d'alimentation recommandée de 1,37 m min et de 1,63 m max.

Connecter le fil blanc (ou nervuré) d'alimentation au fil blanc du lave-vaisselle, Le noir (ou lisse) au noir. La terre au fil vert du lave-vaisselle. Utiliser des connecteurs de fil homologués UL de la bonne dimension.

Remettre en place le couvercle de la boîte de jonction. S'assurer que les fils ne sont pas pincés sous le couvercle.

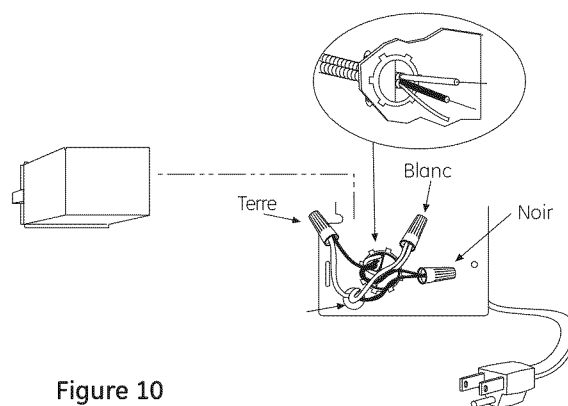


Figure 10

ÉTAPE 5 : INSTALLATION DU COUDE À ANGLE DROIT

- Mettre du ruban d'étanchéité de filet sur le coude à angle droit.
- Installer le coude à angle droit sur la vanne.

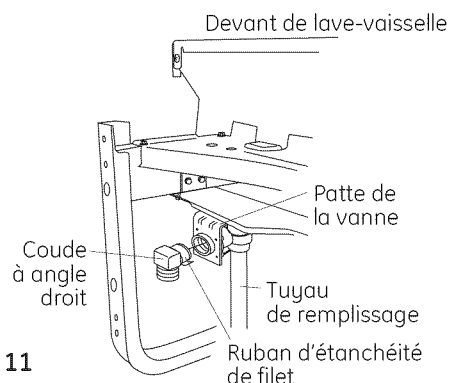


Figure 11

- Ne pas serrer en excès le coude à angle droit, ceci pourrait tordre la patte de la vanne ou briser le raccord de la vanne.
- Tourner le coude pour qu'il pointe vers l'arrière du lave-vaisselle.

Installation du lave-vaisselle

ÉTAPE 6 : MISE EN PLACE DU TUYAU D'EAU ET DES FILS DE LA MAISON

- Mettre en place le tuyau d'eau et les fils de la maison sur le sol de l'ouverture, afin d'éviter toute interférence avec la base du lave-vaisselle et des divers éléments sous celui-ci.

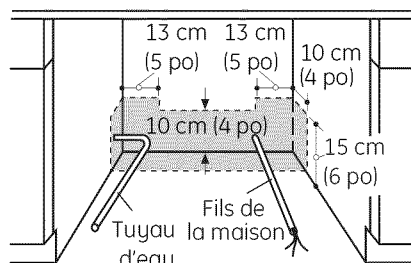


Figure 12

ÉTAPE 7 – INSERTION DU TUYAU DE VIDANGE DANS LE PLACARD

- Redresser le lave-vaisselle et le positionner devant l'ouverture. Insérer le tuyau de vidange dans le trou de la paroi du placard. Si un cordon d'alimentation est utilisé, en guider l'extrémité dans un trou distinct..

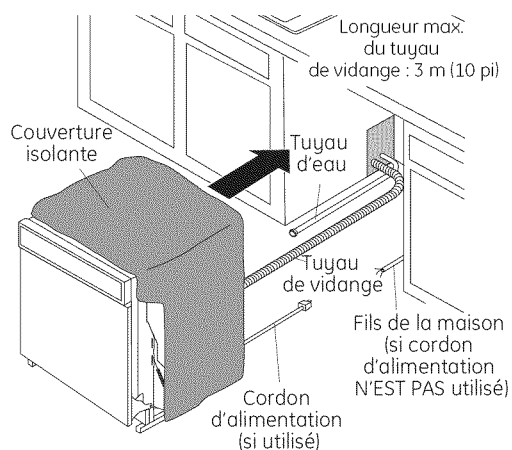


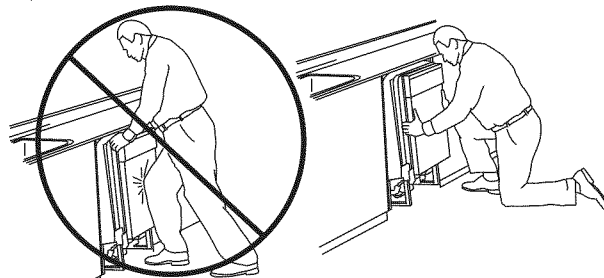
Figure 13

CONSEIL: Positionner la conduite d'eau et le câblage de la maison sur le sol pour éviter les interférences avec la base du lave-vaisselle.

ÉTAPE 8 : GLISSER LE LAVE-VAISSELLE À TROIS QUARTS DANS L'OUVERTURE DE L'ARMOIRE

IMPORTANT – NE PAS POUSSER CONTRE LE PANNEAU AVANT AVEC LE GENOU. CECI CAUSE DES DOMMAGES.

- Saisir le lave-vaisselle par les côtés et le glisser petit à petit dans l'ouverture.



Ne pas pousser contre le panneau de la porte avec le genou. Ceci endommage le panneau de la porte.

Figure 14

- Au fur et à mesure du progrès, tirer le tuyau de vidange dans l'ouverture sous l'évier. Arrêter de pousser quand le lave-vaisselle dépasse d'une dizaine de centimètres devant les armoires adjacentes.
- Vérifier que le tuyau de vidange n'est pas pincé sous le lave-vaisselle et qu'il n'y a aucune interférence entre le tuyau d'eau et les fils et tout autre élément.

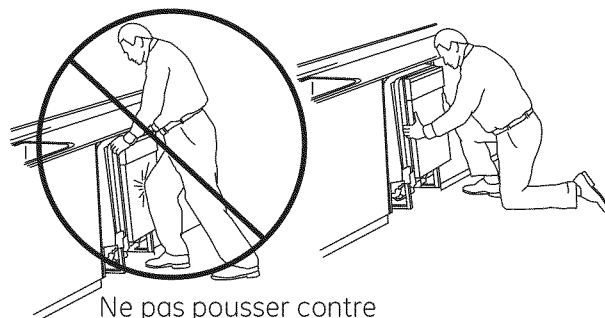
Installation du lave-vaisselle

ÉTAPE 9 – POSITIONNEMENT DU LAVE-VAISSELLE SOUS LE COMPTOIR

- Vérifier que les fils sont bloqués sous le lave-vaisselle et qu'ils ne sont pas pincés ni en contact avec les ressorts de la porte ou avec d'autres pièces du lave-vaisselle.

CONSEIL: Vérifier la couverture d'isolation de la cuve, le cas échéant. Elle doit être positionnée de manière à ne pas boucher et à ne pas interférer avec les ressorts de porte. Vérifier en ouvrant et fermant la porte.

- La porte du lave-vaisselle doit être au ras des portes de placard. Veiller à ne pas faire d'indentation dans le panneau avant avec les genoux et de ne pas endommager le comptoir ou les placards avec les pièces du lave-vaisselle.



Ne pas pousser contre le panneau de la porte avec le genou. Ceci endommage le panneau de la porte.

Figure 15

ÉTAPE 10 – MISE À NIVEAU DU LAVE-VAISSELLE

IMPORTANT – *Le lave-vaisselle doit être de niveau pour assurer le bon fonctionnement des étagères et un bon lavage.*

Placer le niveau sur la porte et sur la glissière d'étagère à l'intérieur de la cuve comme illustré pour vérifier que le lave-vaisselle est de niveau.

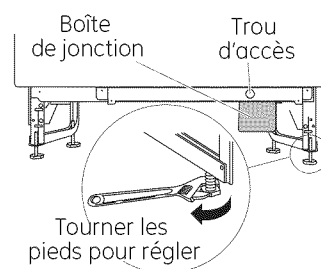


Figure 17

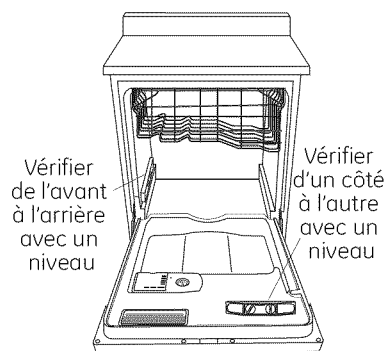


Figure 16

CONSEIL: Sortir l'étagère inférieure, d'environ la moitié. Vérifier que l'étagère ne roule pas vers l'avant ou vers l'arrière du lave-vaisselle. Si l'étagère roule dans une des directions, il faut de nouveau mettre à niveau le lave-vaisselle.

- Si la porte cogne la cuve, le lave-vaisselle n'est pas installé correctement. Régler les pieds de mise à niveau pour aligner la porte sur la cuve.

Installation du lave-vaisselle

ÉTAPE 11 – FIXATION DU LAVE-VAISSELLE AU PLACARD

Le lave-vaisselle doit être bloqué sur le comptoir.

- Positionner le lave-vaisselle de manière à ce que la bride de la cuve s'aligne sur l'avant du cadre du placard.

IMPORTANT – Vérifier que le lave-vaisselle est centré dans l'ouverture et qu'il n'y a pas d'interférence avec les placards adjacents lors de l'ouverture et de la fermeture de la porte.

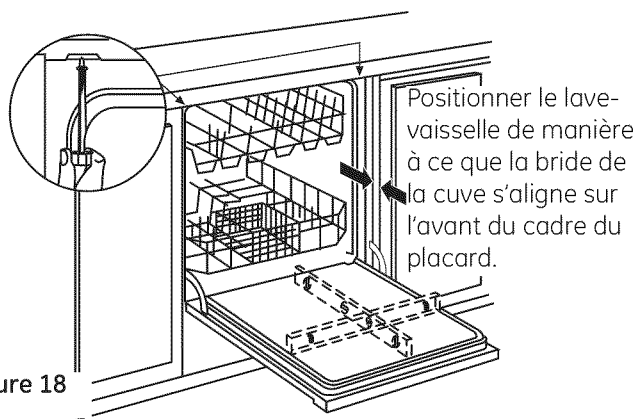


Figure 18

- Fixer le lave-vaisselle au dessous du comptoir avec les 2 vis cruciformes fournies.

IMPORTANT – Visser les vis droites et à ras. Les têtes de vis qui dépassent érafleront le dessus du tableau de commande et peuvent gêner la fermeture de la porte.

ÉTAPE 12 : BRANCHEMENT DE L'ALIMENTATION D'EAU

Brancher le tuyau d'alimentation d'eau au coude à angle droit.

- Glisser l'écrou de compression et ensuite la bague sur l'extrémité du tuyau d'eau.
- Insérer le tuyau d'eau dans le coude à angle droit.
- Glisser la bague contre le coude et serrer l'écrou de compression

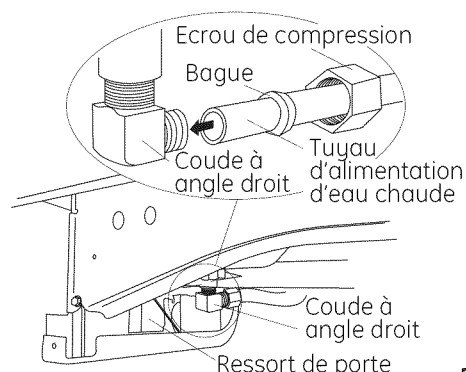


Figure 19

IMPORTANT – Ouvrir et fermer la porte pour vérifier que le ressort de la porte ne frotte pas ou n'est pas en contact avec le tuyau de remplissage ni le tuyau d'alimentation d'eau. Changer le passage des tuyaux s'il y a un bruit de frottement ou une interférence occurs.

Installation du lave-vaisselle

ÉTAPE 13 – RACCORDEMENT DU CONDUIT DE VIDANGE

OBSERVER TOUTES LES RÉGLEMENTATIONS ET ORDONNANCES EN VIGUEUR.

L'extrémité moulée du tuyau de vidange s'ajuste dans des connexions de diamètre 5/8, 3/4 ou 1 po sur le dispositif anti-siphon, le té de vidange ou le broyeur. Couper sur le trait indiqué comme requis pour votre installation.

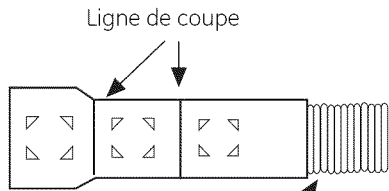


Figure 20

IMPORTANT: Il ne faut pas couper la portion ondulée du tuyau

- Si un tuyau de vidange plus long est nécessaire, ajouter 1,06 m au maximum pour un total de 3 m au tuyau installé en usine. Utiliser un tuyau de diamètre intérieur 5/8 ou 7/8 po et un coupleur pour connecter les deux extrémités du tuyau. Bloquer la connexion avec les colliers de tuyau.

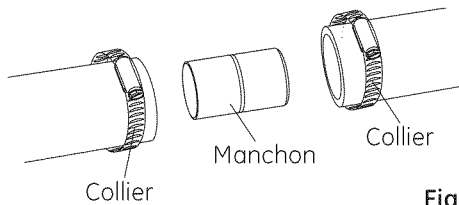


Figure 21

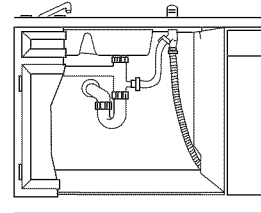
- Bloquer le tuyau de vidange au dispositif anti-siphon, au té de vidange ou au broyeur avec des colliers.

REMARQUE : LA LONGUEUR TOTALE DE TUYAU DE VIDANGE NE DOIT PAS DÉPASSER 3 M POUR ASSURER LE BON FONCTIONNEMENT DE LA VIDANGE.

INSTALLATION DU TUYAU DE VIDANGE

- Brancher le tuyau de vidange sur le dispositif anti-siphon, le raccord en té d'égout ou le broyeur à déchets, en utilisant la méthode indiquée précédemment.

Méthode n° 1 – Dispositif anti-siphon avec raccord en té d'égout ou broyeur à déchets



Installation avec un raccord en té d'égout

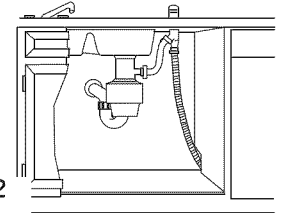
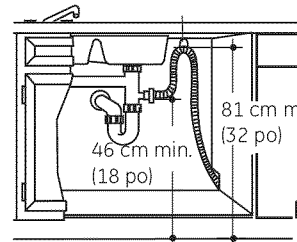


Figure 22

Installation avec un broyeur à déchets

Méthode 2 – Boucle de vidange élevée avec raccord en té d'égout ou broyeur à déchets



Installation avec un raccord en té d'égout

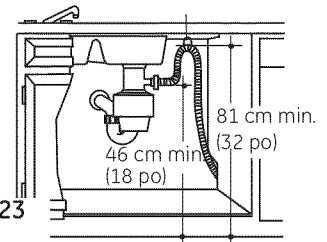
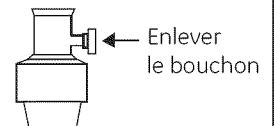


Figure 23

Installation avec un broyeur à déchets

IMPORTANT – En cas de branchement du tuyau d'égout au broyeur à déchets, vérifier que le bouchon de vidange a été enlevé. LE LAVE-VAISSELLE NE SE VIDE PAS SI LE BOUCHON EST EN PLACE.



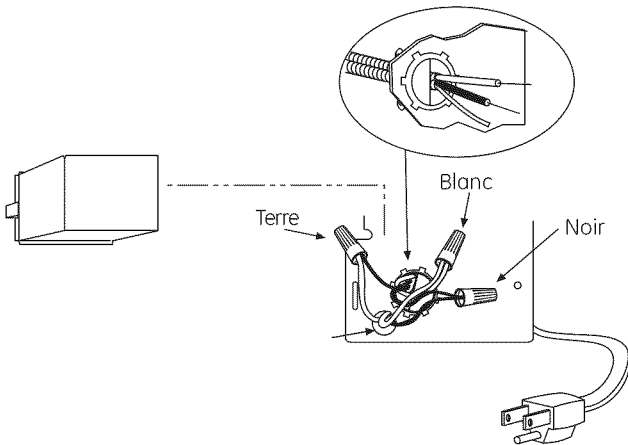
Conseil: Il faut éviter les frais d'intervention inutiles. Il faut toujours s'assurer que le bouchon de vidange a été enlevé avant de brancher le tuyau de vidange du lave-vaisselle au broyeur à déchets.

Installation du lave-vaisselle

ÉTAPE 14: BRANCHEMENT DE L'ALIMENTATION ÉLECTRIQUE

Sauter cette étape si le lave-vaisselle est équipé d'un cordon d'alimentation. Vérifier que le circuit est hors tension.

- Déposer le couvercle « A » de la boîte de jonction.
- Identifier les trois fils de lave-vaisselle (blanc, noir et vert) avec les extrémités dénudées. Insérer les fils du lave-vaisselle dans le petit trou dans la boîte de jonction « B ».
- Bloquer le câblage de la maison sur le bas de la boîte de jonction avec un réducteur de tension « C ».
- Utiliser des connecteurs de fil pour connecter la terre incidente au vert, le blanc au blanc et le noir au noir « D ».
- Remettre en place le couvercle « E » de la boîte de jonction, vérifier que les fils ne sont pas pincés sous le couvercle.
- Installer le couvercle de la boîte de jonction. Vérifier que les fils ne sont pas pincés sous le couvercle



⚠ AVERTISSEMENT



Si le circuit de la maison n'est pas un circuit à deux fils plus fil de terre, l'installateur doit installer un fil de terre. Quand le circuit de la maison est en aluminium, il faut prendre soin d'utiliser une pâte antioxydante et des connecteurs aluminium à cuivre sur la liste UL.

ÉTAPE 15 : LISTE DE VÉRIFICATION AVANT DE FAIRE LES ESSAIS

Examiner cette liste après l'installation du lave-vaisselle pour éviter les frais d'intervention qui ne sont pas couverts par la garantie

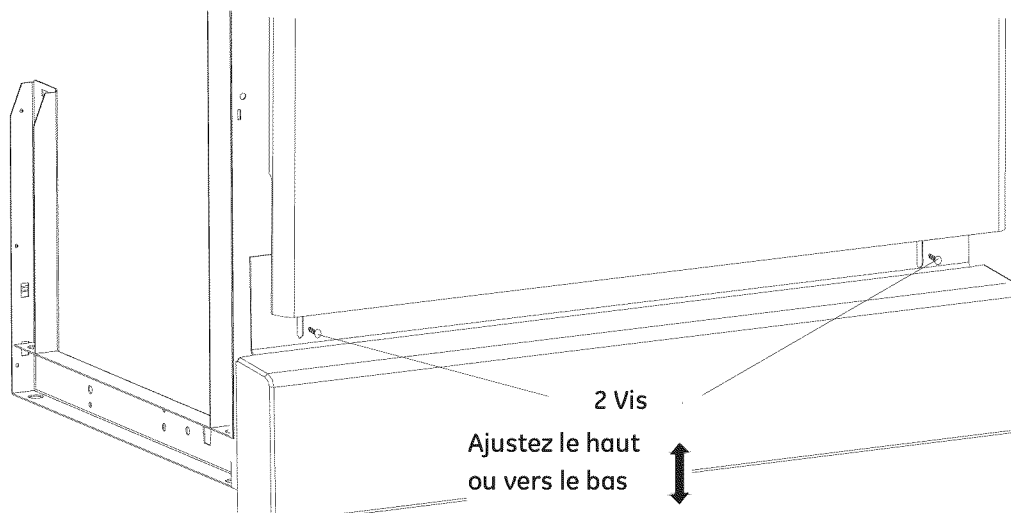
- Vérifier que le système est **hors tension**.
- Ouvrir la porte et enlever tout le conditionnement en mousse et papier.
- Identifier le manuel utilisateur dans la documentation.
- Lire les instructions d'utilisation dans le Manuel d'utilisation.
- Vérifier l'ouverture et la fermeture de la porte. Si la porte n'ouvre et ne ferme pas librement ou si elle a tendance à tomber, vérifier les réglages de ressort. Se reporter à Étape 1.
- Vérifier que les fils sont bien en place sous le lave-vaisselle, qu'ils ne sont pas pincés ni en contact avec les ressorts de porte ni autres éléments. Consulter l'étape 9.
- Vérifier l'alignement de la porte par rapport au bac, et que le lave-vaisselle est de niveau. Consulter l'étape 14.
- Sortir l'égouttoir du bas, à moitié chemin. Vérifier qu'il ne recule ni n'avance. Si l'égouttoir se déplace, régler les pieds de mise à niveau. Consulter l'étape 14.
- Veiller à ce que le ressort de porte ne soit pas en contact avec le tuyau de remplissage ou d'alimentation d'eau ou avec d'autres composants. Consulter l'étape 16.
- Vérifier que le tuyau d'alimentation d'eau et le tuyau de vidange ne sont pas pincés ni en contact avec d'autres composants. Le contact avec le moteur ou le lave-vaisselle peut causer des bruits. Consulter l'étapes 9 et 11.
- Ouvrir le robinet d'eau chaude d'évier et vérifier la température de l'eau. L'eau d'alimentation doit avoir une température entre 49 et 65 °C (120 et 150 °F). Il faut une température d'au moins 49 °C (120 °F) pour obtenir le meilleur rendement du lave-vaisselle. Consulter « Préparation du tuyau d'eau chaude », page 6.
- Ajouter deux litres d'eau au fond du lave-vaisselle pour lubrifier le joint de la pompe.
- Ouvrir le robinet d'eau. Vérifier qu'il n'y a pas de fuites. Serrer les branchements selon le besoin.
- Enlever, du panneau de commande et de la porte, la pellicule de protection, si elle est présente.

Installation du lave-vaisselle

ÉTAPE 16: ESSAI DU LAVE-VAISSELLE AVEC DE L'EAU

- Mettre le circuit sous tension (ou brancher le cordon d'alimentation dans la prise de courant, si installée).
- Mettre le lave-vaisselle sous tension
- Sélectionner le programme « Normal wash » (lavage normal).
- Fermer la porte. Il y aura une pause de 5 secondes, suivie d'une vidange de 60 secondes.
- Vérifier que l'eau entre dans le lave-vaisselle. Si l'eau n'entre pas dans le lave-vaisselle, vérifier que le robinet d'alimentation est ouvert et que le circuit est sous tension.
- Vérifier qu'il n'y a pas de fuites sous le lave-vaisselle. S'il y a une fuite, couper l'alimentation électrique et serrer les branchements. Remettre le lave-vaisselle sous tension après avoir éliminé les fuites.
- Vérifier qu'il n'y a aucune fuite autour de la porte. Une fuite autour de la porte peut être causée par un frottement de la porte ou un impact avec l'armoire adjacente. Repositionner le lave-vaisselle si nécessaire. Se reporter à Étape 9.
- Le lave-vaisselle peut vidanger environ 12 minutes après le premier remplissage. Inspecter les conduites de vidange. S'il y a des fuites, couper l'alimentation électrique et corriger la plomberie si besoin. Remettre sous tension une fois les corrections faites. Se reporter à Étape 12.
- Ouvrir la porte du lave-vaisselle et s'assurer que presque toute l'eau est évacuée. Sinon, vérifier que le bouchon du broyeur a été retiré et/ou que le dispositif anti-siphon n'est pas bouché. Se reporter à Étape 13. Inspecter aussi la conduite de vidange en recherchant les tortillements.
- Faire passer le lave-vaisselle par un autre cycle de « Rinse Only » (rinçage seulement). Vérifier qu'il n'y a pas de fuite et corriger selon le besoin

ÉTAPE 17 – REMISE EN PLACE DE LA PLAQUE DU BAS



Serrer les deux vis de fixation de plinthe. La plinthe doit demeurer en contact avec le sol pour assurer que le lave-vaisselle fonctionne en silence.

ÉTAPE 18 - DOCUMENTATION

S'assurer de laisser toutes les instructions et documentations au client.

REMARQUE : Le fabricant, conformément à une politique de développement permanent et de mise à jour du produit, peut faire des modifications sans donner de préavis.