

This Owner's Manual is provided and hosted by [Appliance Factory Parts](#).



GE GTDP300GM0WS Owner's Manual

[Shop genuine replacement parts for GE
GTDP300GM0WS](#)



[Find Your GE Dryer Parts - Select From 3387 Models](#)

----- Manual continues below -----

GTDP300GM

GE® 7.0 cu. ft. capacity DuraDrum™ gas dryer

Dimensions and Installation Information (in inches)

Exhaust Options: When viewed from the front of the unit, exhaust 3-way via rear, left and bottom. Dryer is shipped exhausted to the rear. Alternate exhausting knockouts are supplied.

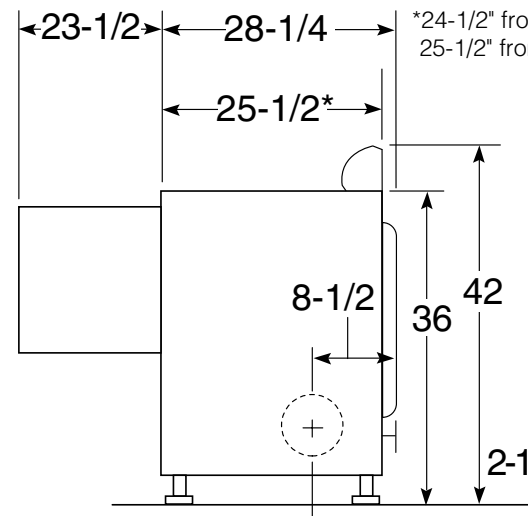
Electric: An individual, properly-grounded branch circuit, with a three-prong grounding-type receptacle, protected by a 15 or 20 amp circuit breaker or a time-delay fuse, is required.

Gas Dryer Electric Rating: 120V, 60Hz, 6A

Gas (BTU/HR): 22,000. Factory-equipped for natural gas. Tested for LP gas. LP gas supply requires a conversion kit. Check installation instructions for correct kit and have a qualified gas technician install a conversion kit. See dryer ducting information for proper installation.

Note: Dryer wall outlet must be located within 36" of service cord entry and accessible when dryer is mounted in position.

Installation Information: For complete information, see installation instructions packed with your dryer.



Side View

For answers to your Monogram®, GE Profile™ or GE® appliance questions, visit our website at ge.com or call GE Answer Center® service, 800.626.2000.



imagination at work

Spec

GTDP300GM

GE® 7.0 cu. ft. capacity DuraDrum™ gas dryer

Special Installation Requirements

Ducting Materials: 4-way via rear, right, left and bottom.

Exhaust Length Calculation:

1. Determine the number of 90° turns needed for your installation. If you exhaust to the side or bottom of dryer, add one turn.
2. The maximum length of 4" rigid (aluminum or galvanized) duct which can be tolerated is shown in the table. The maximum length for flexible ducts are less than for rigid duct.

A turn of 45° or less may be ignored. Two 45° turns within the duct length should be treated as a 90° elbow.

A turn over 45° should be treated as a 90° elbow.

Exhausting the dryer to the outside is strongly recommended to prevent large amounts of moisture and lint from being blown into the room. Gas dryers or any dryer located in a closet **must** be exhausted to the outside.

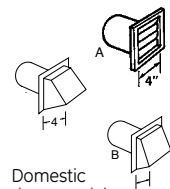
Caution: For personal safety do not terminate exhaust into a chimney, under any enclosed house floor (crawl space), or into an attic, since the accumulated lint could create a fire hazard or moisture could cause damage. Never terminate the exhaust into a common duct or plenum with a kitchen exhaust, since the combination of lint and grease could create a fire hazard.

Exhaust ducts should be terminated in a dampered wall cap to prevent back drafts, bird nesting, etc. The wall cap must also be located at least 12" above the ground or any other obstruction with the opening pointed down.

Other terminations, such as louvered wall boxes, are acceptable provided they are equivalent to a 4" opening dampered wall cap.

For more information on venting kits and accessories, please call 1-800-GE CARES.

Dryer Exhausting Information — Use Metal Duct Vertical and Horizontal Ducting



Domestic dryer models	Number of 90° turns
7.3 capacity electric and gas dryers	0
	1
	2
	3
7.0 and 6.0 capacity models all electric dryers	0
	1
	2
	3
7.0 and 6.0 capacity models all gas dryers	0
	1
	2
	3
5.7 capacity electric and gas dryers	0
	1
	2
	3

Alcove or Closet Installation:

- If your dryer is approved for installation in an alcove or closet, see the label on the dryer back.
- The dryer **MUST** be exhausted to the outside.
- Minimum clearances between dryer cabinet and walls are: 0" either side and 3" front and rear.
- Minimum vertical space from floor to overhead obstruction is 30".
- Closet doors must be louvered or otherwise provide a minimum of 60 sq. in. of open area equally distributed. If a washer and a dryer, doors must contain a minimum of 60 sq. in. of open area equally distributed.
- No other fuel-burning appliance shall be installed in the same room as the dryer.



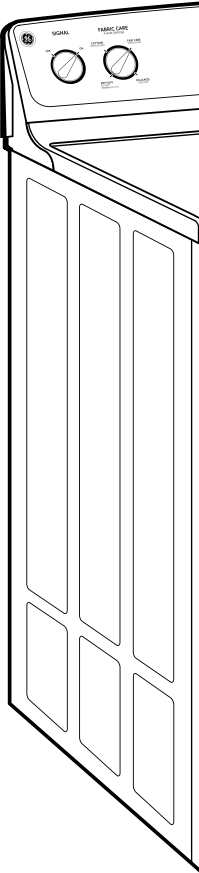
imagination at work

GTDP300GM

GE® 7.0 cu. ft. capacity DuraDrum™ gas dryer

Features and Benefits

- Auto Dry - Monitors air temperature with an automatic thermostat and ends the cycle when clothes are properly dried
- Rotary electromechanical controls - Easy-to-use controls make it simple to set cycles
- 4 heat selections - Provide the right temperatures for your clothes-drying needs
- Quick Fluff™ - Delivers ready-to-go results in minutes with no heat
- Delicates cycle - Low-heat setting helps protect heat-sensitive fabrics, like microfiber and rayon or nylon
- End-Of-Cycle Signal - Alerts you when the load is done, so clothes can be removed before wrinkles set in
- Up to 90 ft. venting capability - Has long equivalent ducting performance for more flexible installation
- Interior dryer light - Convenient interior light helps you easily see clothes
- Model GTDP300GMWS - White on white



imagination at work

Spec