

This Owner's Manual is provided and hosted by [Appliance Factory Parts](#).



GE GTDP301EL0WS Owner's Manual

[Shop genuine replacement parts for GE
GTDP301EL0WS](#)



[Find Your GE Dryer Parts - Select From 3387 Models](#)

----- Manual continues below -----

Installation Instructions

Electric Dryer 05

Questions on Installation? Call: 1-800-GEARES (US)
or Visit our Web site at: www.GEAppliances.com (US)

BEFORE YOU BEGIN

Read these instructions completely and carefully.

- **IMPORTANT**- Save these instructions for local inspector's use.
- **IMPORTANT**- Observe all governing codes and ordinances.
- **Note to Installer** - Be sure to leave these instructions with the customer.
- **Note to Customer** - Keep these instructions with your Use and Care Book for future reference.
- Before the old dryer is removed from service or discarded, remove the dryer door.
- Inspect the dryer exhaust outlet and straighten the outlet walls if they are bent.
- Service information and the wiring diagram are located in the control console.
- Do not allow children on or in the appliance. Close supervision of children is necessary when the appliance is used near children.
- Install the dryer where the temperature is above 50°F for satisfactory operation of the dryer control system.

⚠ WARNING RISK OF FIRE

- To reduce the risk of severe injury or death, follow all installation instructions.
- Clothes dryer installation must be performed by a qualified installer.
- Install the clothes dryer according to these instructions and in accordance with local codes.
- This dryer must be exhausted to the outdoors.
- Use only 4" rigid metal ducting for exhausting the clothes dryer to the outdoors.
- **DO NOT** install a clothes dryer with flexible plastic ducting materials. If flexible metal (semi-rigid or foil-type) duct is installed, it must be UL listed and installed in accordance with the instructions found in "Connecting The Dryer To House Vent" on page 5 of this manual. Flexible venting materials are known to collapse, be easily crushed, and trap lint. These conditions will obstruct dryer airflow and increase the risk of fire.
- Do not install or store this appliance in any location where it could be exposed to water and or weather.
- Save these instructions. (Installers: Be sure to leave these instructions with the customer).

NOTE: Installation and service of this dryer requires basic mechanical and electrical skills. It is your responsibility to contact a qualified installer to make the electrical connections.

TOOLS YOU WILL NEED



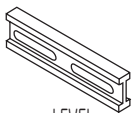
SLIP JOINT PLIERS



FLAT BLADE SCREWDRIVER



PHILLIPS SCREWDRIVER

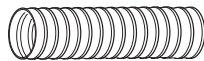


LEVEL

MATERIALS YOU WILL NEED



4" DIA. METAL DUCT
(RECOMMENDED)



3/4" DIA. FLEXIBLE METAL (SEMI-RIGID)
UL LISTED TRANSITION DUCT
(IF NEEDED)
NX08X10077 (INCLUDES 2 ELBOWS)



3/4" DIA. FLEXIBLE METAL (FOIL TYPE)
UL LISTED TRANSITION DUCT
(IF NEEDED.)



4" DUCT
CLAMPS (2)
OR
4" SPRING
CLAMPS (2)



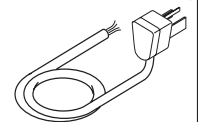
4" DIA. METAL
ELBOW



EXHAUST
HOOD



SAFETY
GLASSES



DRYER POWER
CORD KIT
(NOT PROVIDED
WITH DRYER)

UL RATED
120/240V, 30A
WITH 3 OR 4 PRONGS.
IDENTIFY THE PLUG
TYPE AS PER THE
HOUSE RECEPTACLE
BEFORE PURCHASING
LINE CORD.



DUCT TAPE



GLOVES



3/4" STRAIN
RELIEF
UL RECOGNIZED



4" COVER PLATE (IF NEEDED)
(KIT WE1M454)

- Step 1 Prepare the Area and Exhaust for Installation of New Dryer (see section 1).
- Step 2 Check and Ensure the Existing External Exhaust is Clean (see section 1) and Meets Attached Installation Specifications (see section 3).
- Step 3 Remove the Foam Shipping Pads (see section 1).
- Step 4 Move the Dryer to the Desired Location.
- Step 5 Connect the Power Supply (see section 2).
- Step 6 Connect the External Exhaust (see section 4).
- Step 7 Level Your Dryer (see section 5).

- Step 8 Check the Operation of the Power Supply and Venting.
- Step 9 Place the Owners Manual and the Installation Instructions in a Location Where They Will Be Noticed By the Owner.

For Alcove or Closet Installation, see section 6.
For Bathroom or Bedroom Installation, see section 7.
For Mobile or Manufactured Home see, section 8.
For side or bottom exhaust, see section 9.

Installation Instructions

Minimum Clearance Other Than Alcove or Closet Installation

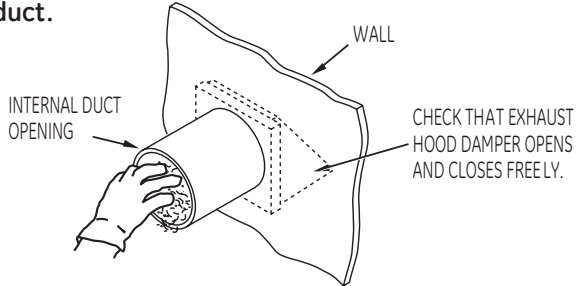
Minimum clearance to combustible surfaces and for air opening are: 0 in. clearance both sides and 1 in. rear. Consideration **must** be given to provide adequate clearance for installation and service.

1 PREPARING FOR INSTALLATION OF NEW DRYER

TIP: Install your dryer before installing your washer. This will allow better access when installing dryer exhaust.

REMOVING LINT FROM WALL EXHAUST OPENING

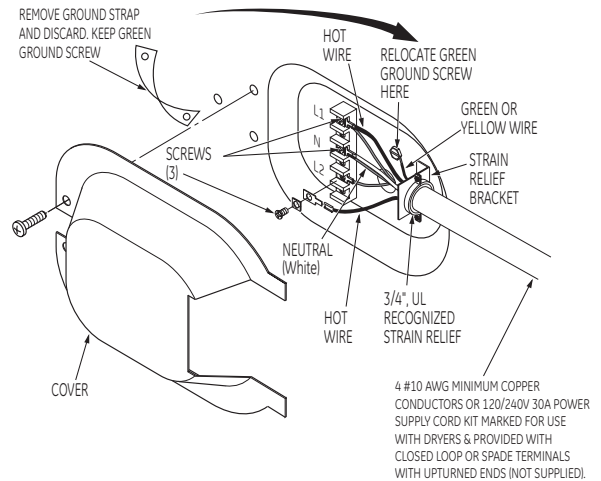
- Remove and discard existing plastic or metal foil transition duct and replace with UL listed transition duct.



CONNECTING DRYER USING 4-WIRE CONNECTION (MUST BE USED FOR MOBILE HOME INSTALLATION)

NOTES: Since January 1, 1996, the National Electric code requires that the new constructions utilize a 4-wire connection to an electric dryer.

WARNING: Only a 4-conductor cord shall be used when the appliance is installed in a location where grounding through the neutral conductor is prohibited. Grounding through the neutral is prohibited for the new branch-circuit installations, mobile homes, recreational vehicles, and areas where local codes prohibit grounding through the neutral conduction.



2 ELECTRICAL CONNECTION INFORMATION

⚠ WARNING - TO REDUCE THE RISK OF FIRE, ELECTRICAL SHOCK AND PERSONAL INJURY:

- DO NOT USE AN EXTENSION CORD OR AN ADAPTER PLUG WITH THIS APPLIANCE.**

Dryer must be electrically grounded in accordance with local codes and ordinances, or in the absence of local codes, in accordance with the NATIONAL ELECTRICAL CODE, ANSI/NFPA NO. 70.

ELECTRICAL REQUIREMENTS

This dryer must be connected to an individual branch circuit, protected by the required time-delay fuses or circuit breakers. A four or three-wire, single phase, 120/240V or 120/208V, 60Hz, 30 amp circuit is required. If the electric supply does not meet the above specifications, then call a licensed electrician.

GROUNDING INSTRUCTIONS

This dryer must be connected to a grounded metal, permanent wiring system, or an equipment-grounding conductor must be run with the circuit conductors and connected to the equipment-grounding terminal on the appliance.

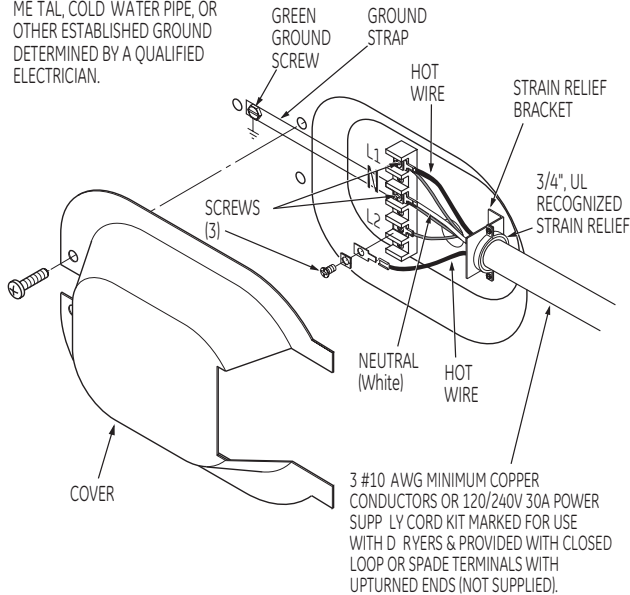
- Turn off the circuit breaker (s) (30 amp) or remove the dryer's circuit fuse at the electrical box.
- Be sure the dryer cord is unplugged from the wall receptacle.
- Remove the power cord cover located at the lower back.
- Remove and discard ground strap. Keep the green ground screw for step 7.
- Install 3/4 in. UL recognized strain relief to power cord entry hole. Bring power cord through strain relief.
- Connect power cord as follows:
 - Connect the 2 hot lines to the outer screws of the terminal block (marked L1 and L2).
 - Connect the neutral (white) line to the center of the terminal block (marked N).
- Attach ground wire of power cord with the green ground screw (hole above strain relief bracket). Tighten all terminal block screws (3) completely.
- Properly secure power cord to strain relief.
- Reinstall the cover.

⚠ WARNING: NEVER LEAVE THE COVER OFF OF THE TERMINAL BLOCK.

Installation Instructions

CONNECTING DRYER USING 3-WIRE CONNECTION

IF REQUIRED, BY LOCAL CODE, INS TALL EXTERNAL GROUND (NOT PROVIDED) TO GROUNDED METAL, COLD WATER PIPE, OR OTHER ESTABLISHED GROUND DETERMINED BY A QUALIFIED ELECTRICIAN.



1. Turn off the circuit breaker(s) (30 amp) or remove the dryer's circuit fuse at the electrical box.
2. Be sure the dryer cord is unplugged from the wall.
3. Remove the power cord cover located at the lower back.
4. Install 3/4 in. UL recognized strain relief to power cord entry hole. Bring power cord through strain relief.
5. Connect power cord as follows:
 - A. Connect the 2 hot lines to the outer screws of the terminal block (marked L1 and L2).
 - B. Connect the neutral (white) line to the center of the terminal block (marked N).
6. Be sure ground strap is connected to neutral (center) terminal of block and to green ground screw on cabinet rear. Tighten all terminal block screws (3) completely.
7. Properly secure power cord to strain relief.
8. Reinstall the cover.

WARNING: NEVER LEAVE THE COVER OFF OF THE TERMINAL BLOCK.

3 EXHAUST INFORMATION

WARNING - IN CANADA AND IN THE UNITED STATES, THE REQUIRED EXHAUST DUCT DIAMETER IS 4 IN (102mm). DO NOT USE DUCT LONGER THAN SPECIFIED IN THE EXHAUST LENGTH TABLE.

Using exhaust longer than specified length will:

- Increase the drying times and the energy cost.
- Reduce the dryer life.
- Accumulate lint, creating a potential fire hazard.

The correct exhaust installation is YOUR RESPONSIBILITY. Problems due to incorrect installation are not covered by the warranty.

Remove and discard existing plastic or metal foil transition duct and replace with UL listed transition duct.

The **MAXIMUM ALLOWABLE** duct length and number of bends of the exhaust system depends upon the type of duct, number of turns, the type of exhaust hood (wall cap), and all conditions noted below. The maximum duct length for rigid metal duct is shown in the table below.

EXHAUST LENGTH

	RECOMMENDED MAXIMUM LENGTH	
	Exhaust Hood Types	
	Recommended	Use only for short run installations
No. of 90° Elbows	Rigid Metal	Rigid Metal
0	90 Feet	60 Feet
1	60 Feet	45 Feet
2	45 Feet	35 Feet
3	35 Feet	25 Feet
4	25 Feet	15 Feet

EXHAUST SYSTEM CHECK LIST

HOOD OR WALL CAP

- Terminate in a manner to prevent back drafts or entry of birds or other wildlife.
- Termination should present minimal resistance to the exhaust air flow and should require little or no maintenance to prevent clogging.
- **Never** install a screen in or over the exhaust duct. This could cause lint build up.
- Wall caps must be installed at least 12 in. above ground level or any other obstruction with the opening pointed down.

SEPARATION OF TURNS

For best performance, separate all turns by at least 4 ft. of straight duct, including distance between last turn and exhaust hood.

TURNS OTHER THAN 90°

- One turn of 45° or less may be ignored.
- Two 45° turns should be treated as one 90° turn.
- Each turn over 45° should be treated as one 90° turn.

Installation Instructions

EXHAUST INFORMATION (cont)

SEALING OF JOINTS

- All joints should be tight to avoid leaks. The male end of each section of duct must point away from the dryer.
- Do not assemble the ductwork with fasteners that extend into the duct. They will serve as a collection point for lint.
- Duct joints can be made air and moisture-tight by wrapping the overlapped joints with duct tape.
- Horizontal runs should slope down toward the outdoors ½ inch per foot

INSULATION

Duct work that runs through an unheated area or is near air conditioning should be insulated to reduce condensation and lint build-up.

4 EXHAUST CONNECTION

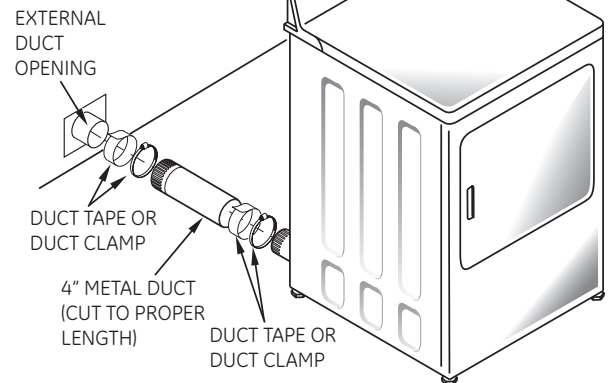
⚠ WARNING - TO REDUCE THE RISK OF FIRE OR PERSONAL INJURY:

- This clothes dryer must be exhausted to the outdoors.
- Use only 4" rigid metal ducting for the home exhaust duct.
- Use only 4" rigid metal or UL-listed flexible metal (semi-rigid or foil-type) duct to connect the dryer to the home exhaust duct. It must be installed in accordance with the instructions found in "Connecting The Dryer To House Vent" on page 5 of this manual.
- Do not terminate exhaust in a chimney, a wall, a ceiling, gas vent, crawl space, attic, under an enclosed floor, or in any other concealed space of a building. The accumulated lint could create a fire hazard.
- Never terminate the exhaust into a common duct with a kitchen exhaust system. A combination of = grease and lint creates a potential fire hazard.
- Do not use duct longer than specified in the exhaust length table. Longer ducts can accumulate lint, creating a potential fire hazard.
- Never install a screen in or over the exhaust duct. This will cause lint to accumulate, creating a potential fire hazard.
- Do not assemble ductwork with any fasteners that extend into the duct. These fasteners can accumulate lint, creating a potential fire hazard.
- Do not obstruct incoming or exhausted air.
- Provide an access for inspection and cleaning of the exhaust system, especially at turns and joints. Exhaust system shall be inspected and cleaned at least once a year.

THIS DRYER COMES READY FOR REAR EXHAUSTING. IF SPACE IS LIMITED, USE THE INSTRUCTIONS IN SECTION 9 TO EXHAUST DIRECTLY FROM THE SIDES OR BOTTOM OF THE CABINET.

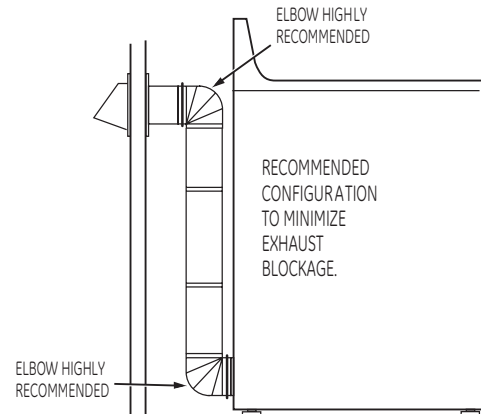
STANDARD REAR EXHAUST (Vented at all floor level)

FOR STRAIGHT LINE INSTALLATION, CONNECT THE DRYER EXHAUST TO THE EXTERNAL EXHAUST HOOD USING DUCT TAPE OR CLAMP.



NOTE: WE STRONGLY RECOMMEND SOLID METAL EXHAUST DUCTING. HOWEVER, IF FLEXIBLE DUCTING IS USED IT **MUST** BE UL-LISTED METAL NOT PLASTIC.

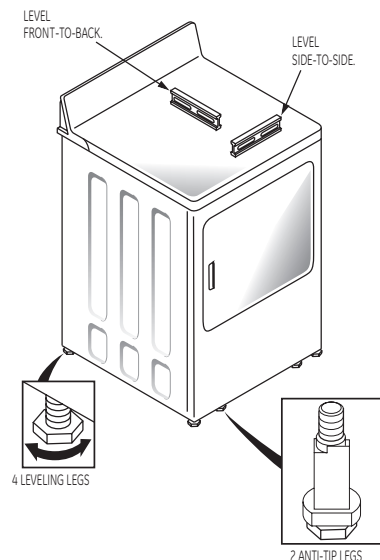
STANDARD REAR EXHAUST (Vented above floor level)



NOTE: ELBOWS WILL PREVENT DUCT KINKING AND COLLAPSING.

5 LEVELING AND STABILIZING YOUR DRYER

STAND THE DRYER UPRIGHT NEAR THE FINAL LOCATION AND ADJUST THE 4 LEVELING LEGS, AT THE CORNERS, TO ENSURE THAT THE DRYER IS LEVEL FROM SIDE TO SIDE AND FRONT TO REAR.



Installation Instructions

CONNECTING THE DRYER TO HOUSE VENT RIGID METAL TRANSITION DUCT

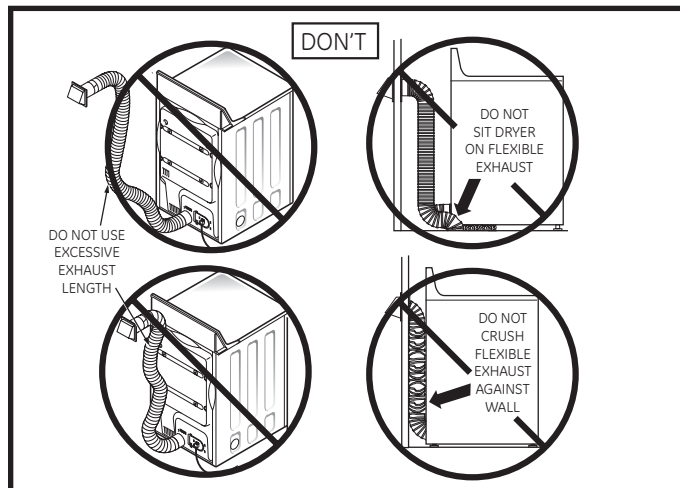
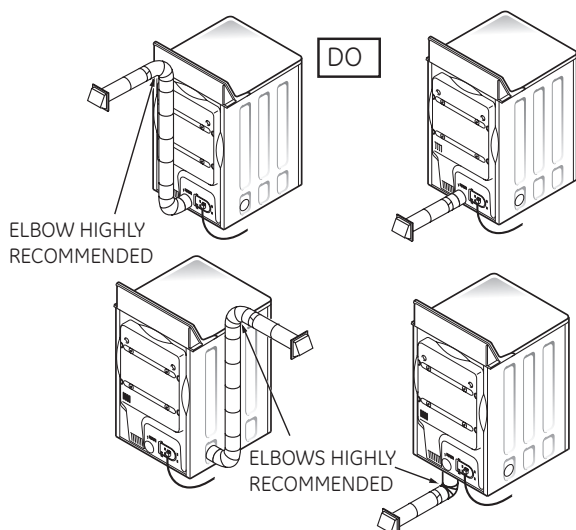
- For best drying performance, a rigid metal transition duct is recommended.
- Rigid metal transition ducts reduce the risk of crushing and kinking.

UL-LISTED FLEXIBLE METAL (SEMI-RIGID) TRANSITION DUCT

- If rigid metal duct cannot be used, then UL-listed flexible metal (semi-rigid) ducting can be used (Kit WX08X10077).
- Never install flexible metal duct in walls, ceilings, floors or other enclosed spaces.
- Total length of flexible metal duct should not exceed 8 feet (2.4m).
- For many applications, installing elbows at both the dryer and the wall is highly recommended (see illustrations below). Elbows allow the dryer to sit close to the wall without kinking and or crushing the transition duct, maximizing drying performance.
- Avoid resting the duct on sharp objects.

UL-LISTED FLEXIBLE METAL (FOIL-TYPE) TRANSITION DUCT

- In special installations, it may be necessary to connect the dryer to the house vent using a flexible metal (foil-type) duct. A UL-listed flexible metal (foil-type) duct may be used **ONLY** in installations where rigid metal or flexible metal (semi-rigid) ducting cannot be used AND where a 4" diameter can be maintained throughout the entire length of the transition duct.
- In Canada and the United States, only the flexible metal (foil-type) ducts that comply with the "Outline for Clothes Dryer Transition Duct Subject 2158A" shall be used.
- Never install flexible metal duct in walls, ceilings, floors or other enclosed spaces.
- Total length of flexible metal duct should not exceed 8 feet (2.4m).
- Avoid resting the duct on sharp objects.
- For best drying performance:
 1. Slide one end of the duct over the clothes dryer outlet pipe.
 2. Secure the duct with a clamp.
 3. With the dryer in its permanent position, extend the duct to its full length. Allow 2" of duct to overlap the exhaust pipe. Cut off and remove excess duct. Keep the duct as straight as possible for maximum airflow.
 4. Secure the duct to the exhaust pipe with the other clamp.



6 ALCOVE OR CLOSET INSTALLATION

- If your dryer is approved for installation in an alcove or closet, it will be stated on a label on the dryer back.
- The dryer **MUST** be vented to the outdoors. See the **EXHAUST INFORMATION** sections 3 & 4.
- Minimum clearance between dryer cabinet and adjacent walls or other surfaces is:
 - 0 in. either side
 - 3 in. front and rear
- Minimum vertical space from floor to overhead cabinets, ceiling, etc. is 52 in.
- Closet doors must be louvered or otherwise ventilated and must contain a minimum of 60 sq. in. of open area equally distributed. If the closet contains both a washer and a dryer, doors must contain a minimum of 120 sq. in. of open area equally distributed.

7 BATHROOM OR BEDROOM INSTALLATION

- The dryer **MUST** be vented to the outdoors. See **EXHAUST INFORMATION** section 3 & 4.
- The installation must conform with local codes or, in the absence of local codes, with the **NATIONAL ELECTRICAL CODE, ANSI/NFPA NO. 70.**

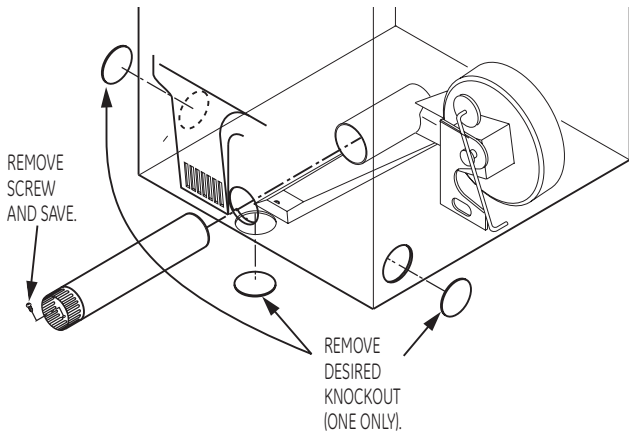
8 MOBILE OR MANUFACTURED HOME INSTALLATION

- Installation **MUST** conform to the **MANUFACTURED HOME CONSTRUCTION & SAFETY STANDARD, TITLE 24, PART 32-80** or, when such standard is not applicable, with **AMERICAN NATIONAL STANDARD FOR MOBILE HOME, ANSI/NFPA NO. 501B.**
- The dryer **MUST** be vented to the outdoors with the termination securely fastened to the mobile home structure. (See **EXHAUST INFORMATION** section 3 & 4).
- The vent **MUST NOT** be terminated beneath a mobile or manufactured home.
- The vent duct material **MUST BE METAL.**
- Do not use sheet metal screws or other fastening devices which extend into the interior of the exhaust vent.
- See section 2 for electrical connection information.

Installation Instructions

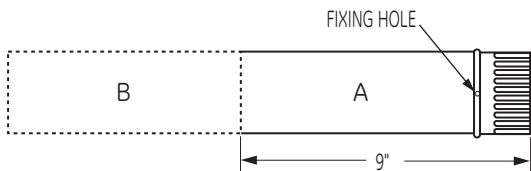
9 DRYER EXHAUST TO RIGHT, LEFT OR BOTTOM CABINET

⚠ WARNING - BEFORE PERFORMING THIS EXHAUST INSTALLATION, BE SURE TO DISCONNECT THE DRYER FROM ITS ELECTRICAL SUPPLY. PROTECT YOUR HANDS AND ARMS FROM SHARP EDGES WHEN WORKING INSIDE THE CABINET. BE SURE TO WEAR GLOVES



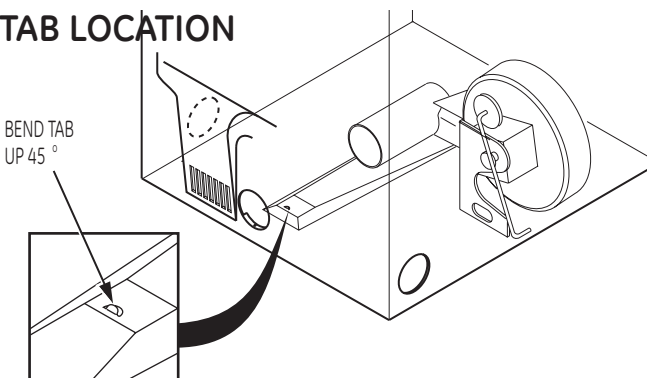
Detach and remove the bottom, right or left side knockout as desired. Remove the screw inside the dryer exhaust duct and save. Pull the duct out of the dryer.

Note: Only 4" round rigid metal ducting allowed inside dryer.



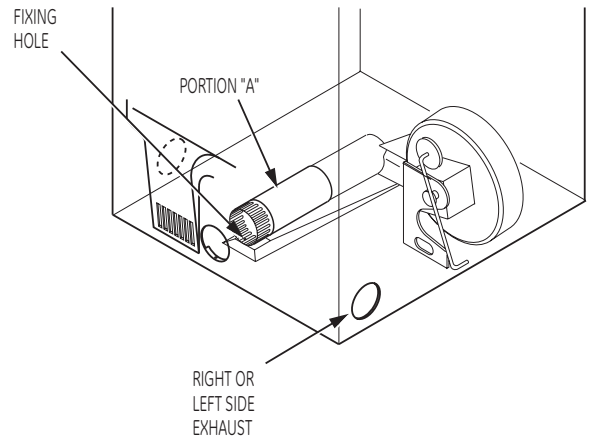
Cut the duct as shown and keep portion A.

TAB LOCATION



Through the rear opening, locate the tab in the middle of the appliance base. Lift the tab to about 45° using a flat blade screwdriver.

ADDING NEW DUCT

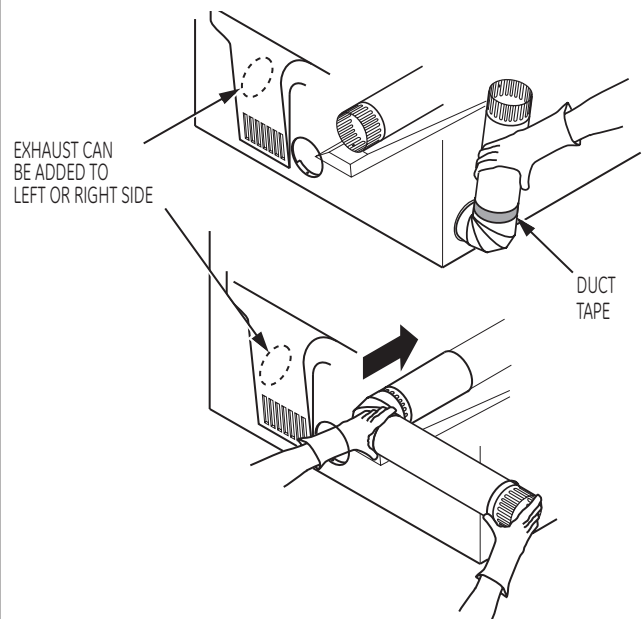


Reconnect the cut portion (A) of the duct to the blower housing. Make sure that the shortened duct is aligned with the tab in the base. Use the screw saved previously to secure the duct in place through the tab on the appliance base.

ADDING ELBOW AND DUCT FOR EXHAUST TO LEFT OR RIGHT SIDE OF CABINET

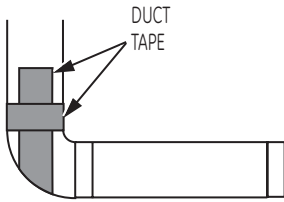
- Preassemble 4" elbow with 4" duct. Wrap duct tape around joint.
- Insert duct assembly, elbow first, through the side opening and connect the elbow to the dryer internal duct.

CAUTION: Be sure not to pull or damage the electrical wires inside the dryer when inserting the duct.



Installation Instructions

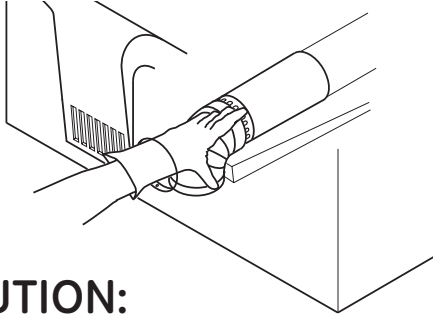
- Apply duct tape as shown on the joint between the dryer internal duct and the elbow.



CAUTION:
Internal duct joints must be secured with tape, otherwise they may separate and cause a safety hazard.

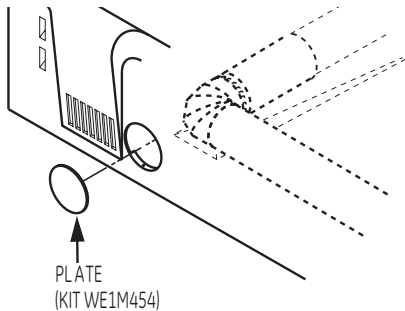
ADDING ELBOW FOR EXHAUST THROUGH BOTTOM OF CABINET

- Insert the elbow through the rear opening and connect it to the dryer internal duct.
- Apply duct tape on the joint between the dryer internal duct and elbow, as shown on page 6.



CAUTION:
Internal duct joints must be secured with tape, otherwise they may separate and cause a safety hazard.

ADDING COVER PLATE TO REAR OF CABINET (SIDES AND BOTTOM EXHAUST)



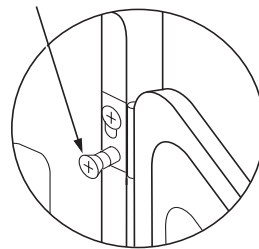
Connect standard metal elbows and ducts to complete the exhaust system. Cover back opening with a plate (Kit WE1M454) available from your local service provider. Place dryer in final location.

WARNING-NEVER LEAVE THE BACK OPENING WITHOUT THE PLATE. (Kit WE1M454)

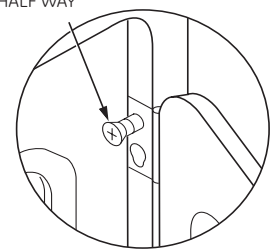
10 CHANGING DIRECTION OF DOOR OPENING

1. Open the door and remove the filler plugs opposite the hinges. With the door completely open, remove the bottom screws from each hinge on the dryer face. Insert these screws about half way into the **TOP** holes, for each hinge on the opposite side (where you removed the filler plugs). Apply firm pressure to get the screw started.
2. Loosen the top screws from each hinge on the dryer face half way. With one hand holding the top of the door and the other hand holding the bottom, remove the door from the dryer by lifting it **UP** and **OUT**.
3. Rotate the door 180°. Insert the door on the opposite side of the opening by moving the door **IN** and **DOWN** until the top hinge and the bottom hinge are resting on the top screws inserted in step 1.
4. Remove the remaining screws from the side of the opening from which the door was removed. With these screws secure each hinge at the bottom. Tighten the two top screws on each hinge. Reinsert the plastic plugs on the side from which the door was removed.

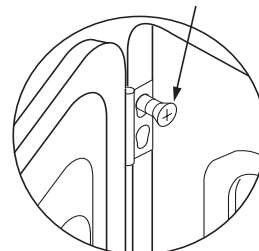
REMOVE THE BOTTOM SCREW FROM EACH HINGE ON THE DRYER FACE



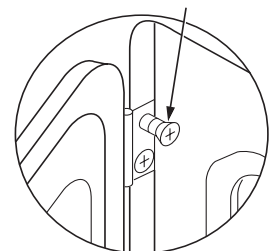
LOOSEN THE TOP SCREWS FROM EACH HINGE ON THE DRYER FACE HALF WAY



MOVE THE DOOR IN AND DOWN UNTIL THE TOP HINGE AND THE BOTTOM HINGES ARE RESTING ON THE TOP SCREWS INSERTED IN STEP 1



SECURE EACH HINGE AT THE BOTTOM AND TIGHTEN THE TWO TOP SCREWS OF EACH HINGE



Installation Instructions

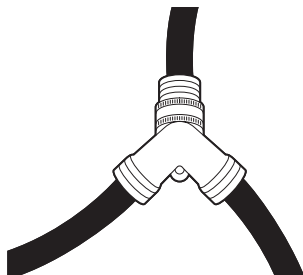
11 CONNECTING INLET HOSES

(on some models)

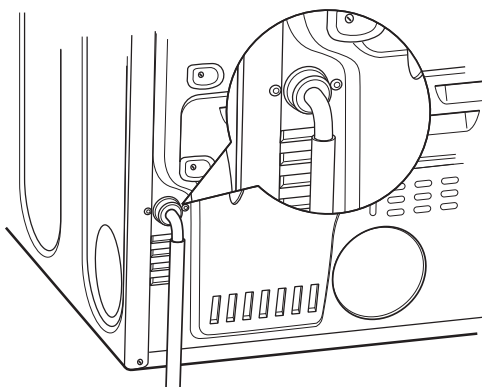
To produce steam, the dryer must connect to the cold water supply. Since the washer must also connect to the cold water, a "Y" connector is inserted to allow both inlet hoses to make that connection at the same time.

NOTE: Use the new inlet hoses provided; never use old hoses.

1. Turn the cold water faucet off. Remove the washer inlet hose from the washer fill valve connector (cold).
2. Ensure the rubber flat washer is in place and screw the female coupling of the short hose onto the washer fill valve connector. Tighten by hand until firmly seated.
3. Attach the female end of the "Y" connector to the male coupling of the short hose. Ensure the rubber flat washer is in place. Tighten by hand until firmly seated.

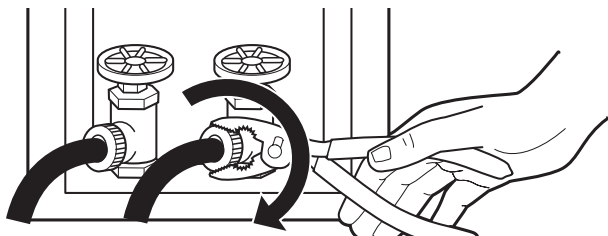


4. Insert the filter screen in the coupling of the washer's inlet hose. If a rubber flat washer is already in place remove it before installing the filter screen. Attach this coupling to one male end of the "Y" connector. Tighten by hand until firmly seated.
5. Ensure the rubber flat washer is in place and attach the dryer's long inlet hose to the other male end of the "Y" connector. Tighten by hand until firmly seated.
6. Ensure the rubber flat washer is in place and attach the other end of the dryer's long inlet hose to the fill valve connector at the bottom of the dryer back panel. Tighten by hand until firmly seated.



7. Using pliers, tighten all the couplings with an additional two-thirds turn.

NOTE: Do not overtighten. Damage to the couplings may result.



11 CONNECTING INLET HOSES (cont.)

8. Turn the water faucet on.
9. Check for leaks around the "Y" connector, faucet and hose couplings.

WATER SUPPLY REQUIREMENTS

Hot and cold water faucets **MUST** be installed within 42 in. (107 cm) of your washer's water inlet. The faucets **MUST** be 3/4 in. (1.9 cm) garden hose-type so inlet hoses can be connected. Water pressure **MUST** be between 10 and 120 pounds per square inch. Your water department can advise you of your water pressure.

NOTE: A water softener is recommended to reduce buildup of scale inside the steam generator if the home water supply is very hard.

12 SERVICING

⚠ WARNING - LABEL ALL WIRES PRIOR TO DISCONNECTING WHEN SERVICING CONTROLS. WIRING ERRORS CAN CAUSE IMPROPER AND DANGEROUS OPERATION AFTER SERVICING/INSTALLATION.

For servicing phone numbers for replacement parts, and other information, refer to Owner's Manual or visit our Web site.

**TO REGISTER YOUR DRYER
CALL TOLL-FREE
1-888-269-1192**

Prompt registration confirms your right to protection under the terms of your warranty.
www.GEAppliances.com (US)

For Questions on Installation, Call: 1-800-GECARES (US)