

This Owner's Manual is provided and hosted by [Appliance Factory Parts](#).



# GE GTDP200EM0WW Owner's Manual

[Shop genuine replacement parts for GE  
GTDP200EM0WW](#)



[Find Your GE Dryer Parts - Select From 3387 Models](#)

----- Manual continues below -----

# GTDP200EM

## GE® 7.0 cu. ft. capacity DuraDrum™ electric dryer

### Dimensions and Installation Information (in inches)

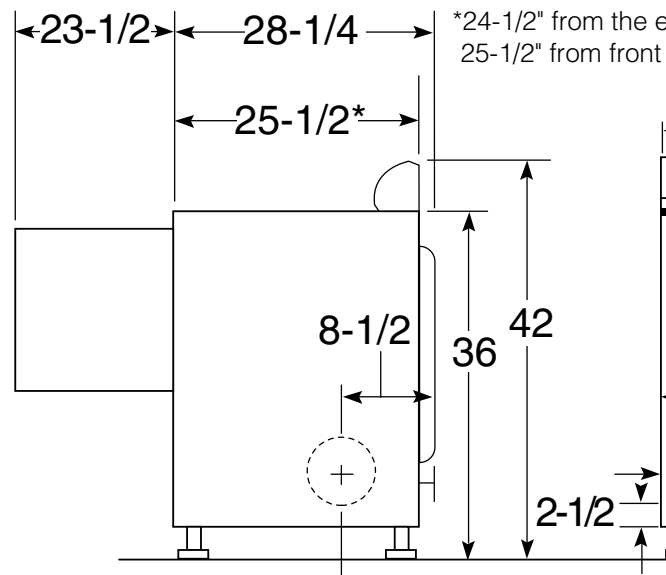
Electric Dryer Rating:			
240V	5600W	24A	60Hz
208V	4400W	22A	60Hz

**Exhaust Option:** 4-way rear, right, left and bottom

**Circuit Requirements:** An individual, properly-grounded branch circuit, protected by a 30-amp circuit breaker or a time-delay fuse, is required.

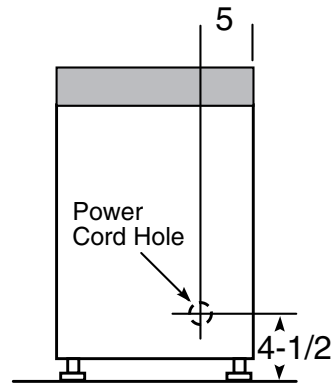
**Note:** Dryer wall outlet must be located within 36" of service cord entry and accessible when dryer is mounted in position.

**Installation Information:** For complete information, see installation instructions packed with your dryer.



Side View

### Power Cord Locations



Back View

For answers to your Monogram®, GE Profile™ or GE® appliance questions, visit our website at [ge.com](http://ge.com) or call GE Answer Center® service, 800.626.2000.



imagination at work

# GTDP200EM

## GE® 7.0 cu. ft. capacity DuraDrum™ electric dryer

For complete information, see installation instructions packed with your dryer.

### Ducting Materials:

For best performance, this dryer should be vented with 4" diameter all rigid metal exhaust duct. If rigid metal duct cannot be used, then UL-listed flexible metal (semi-rigid) ducting can be used (Kit WX08X10077). In special installations, it may be necessary to connect the dryer to the house vent using a flexible metal (foil-type) duct. A UL-listed flexible metal (foil-type) duct may be used ONLY in installations where rigid metal or flexible metal (semi-rigid) ducting cannot be used AND where a 4" diameter can be maintained throughout the entire length of the transition duct. Please see installation instruction packed with your dryer for complete instructions when using flexible metal (foil type) ducting.

### Exhaust Length Calculation:

1. Determine the number of 90° turns needed for your installation. If you exhaust to the side or bottom of dryer, add one turn.
2. The maximum length of 4" rigid (aluminum or galvanized) duct which can be tolerated is shown in the table. A turn of 45° or less may be ignored. Two 45° turns within the duct length should be treated as a 90° elbow. A turn over 45° should be treated as a 90° elbow.

Dryers **must** be exhausted to the outside.

**Caution:** For personal safety do not terminate exhaust into a chimney, under any enclosed house floor (crawl space), or into an attic, since the accumulated lint could create a fire hazard or moisture could cause damage. Never terminate the exhaust into a common duct or plenum with a kitchen exhaust, since the combination of lint and grease could create a fire hazard.

Exhaust ducts should be terminated in a dampered wall cap to prevent back drafts, bird nesting, etc. The wall cap must also be located at least 12" above the ground or any other obstruction with the opening pointed down.

For more information on venting kits and accessories, please call 1-800-GE-CARES.

### Special Installation Requirements

#### Alcove or Closet Installation:

- If your dryer is approved for installation in an alcove, it must be installed on the dryer back.
- The dryer **MUST** be exhausted to the outside.
- Minimum clearances between dryer cabinet and walls: 1" on either side; 3" front and rear
- Minimum vertical space from floor to overhead obstruction: 27"
- Closet doors must be louvered or otherwise vented. If the closet is less than 60 sq. in. of open area equally distributed. If the closet is larger than a dryer, doors must contain a minimum of 120 sq. in. of open area.
- No other fuel-burning appliance shall be installed in the same room.

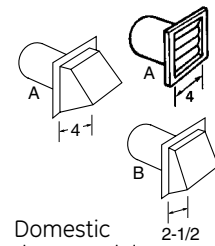
#### Bathroom or Bedroom Installation:

- The dryer **MUST** be exhausted to the outdoors.
- The installation must conform with the local code and the National Electric Code and National Fuel Gas Code.

#### Minimum Clearances other than Alcove or Closet:

- Minimum clearances to combustible surfaces: 18"

#### Dryer Exhausting Information: Use metal duct



Domestic dryer models	Number of 90° turns	Best performance	
		A 4" opening	2-1/2" opening
7.0, 6.0 and 5.8 cu. ft. capacity models all electric dryers	0	90 ft.	60 ft.
	1	60 ft.	45 ft.
	2	45 ft.	35 ft.
	3	35 ft.	25 ft.
4	25 ft.	15 ft.	



# GTDP200EM

## GE® 7.0 cu. ft. capacity DuraDrum™ electric dryer

### Features and Benefits

- Auto Dry - Monitors air temperature with an automatic thermostat and ends the cycle when clothes are properly dried
- Rotary electromechanical controls - Easy-to-use controls make it simple to set cycles
- 4 heat selections - Provide the right temperatures for your clothes-drying needs
- Dewrinkle cycle - Special cycle is designed to help eliminate wrinkles from a variety of fabrics
- Quick Fluff™ - Delivers ready-to-go results in minutes with no heat
- Delicates cycle - Low-heat setting helps protect heat-sensitive fabrics, like microfiber and rayon or nylon
- Interior dryer light - Convenient interior light helps you easily see clothes
- Up to 90 ft. venting capability - Has long equivalent ducting performance for more flexible installation
- Model GTDP200EMWW - White on white



imagination at work

S