

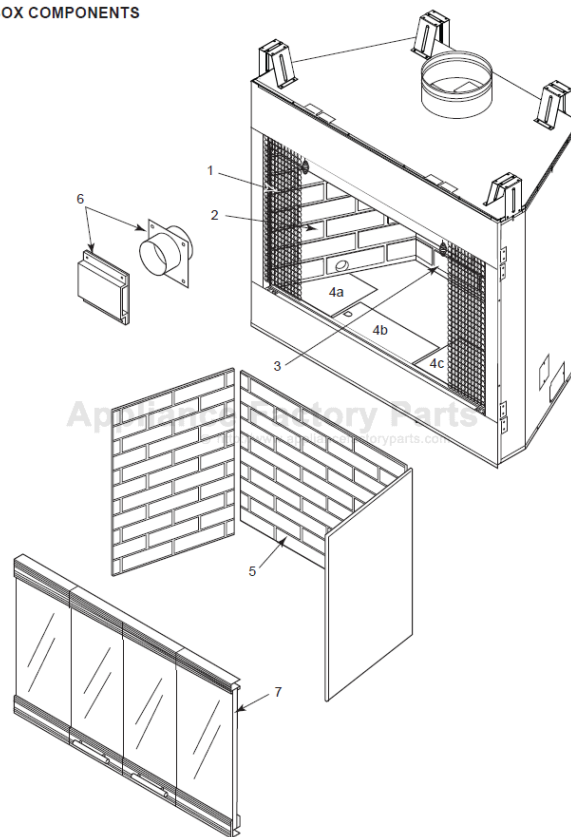
This Owner's Manual is provided and hosted by [Appliance Factory Parts](http://Appliance Factory Parts).



# MAJESTIC 400SBVA Owner's Manual

**[Shop genuine replacement parts for MAJESTIC  
400SBVA](#)**

FIREBOX COMPONENTS



**[Find Your MAJESTIC Fireplace Parts - Select From 585 Models](#)**

----- Manual continues below -----

PRODUCT SPECIFICATIONS  
**400SBVA B Vent**



**INTERIOR DIMENSIONS**

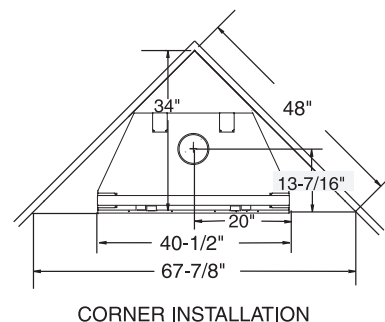
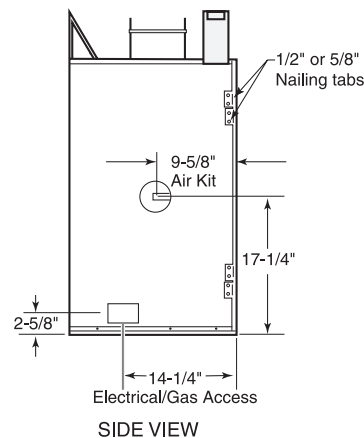
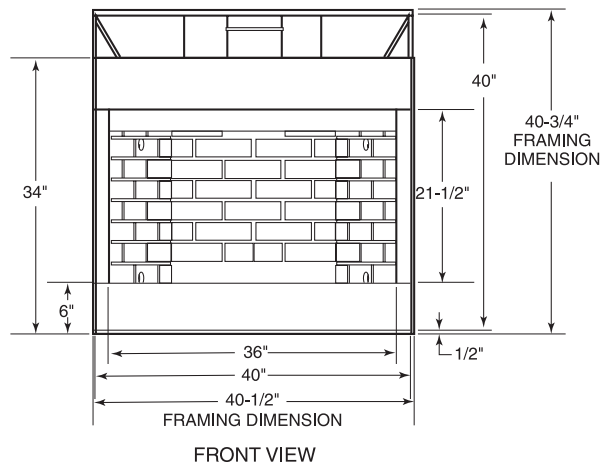
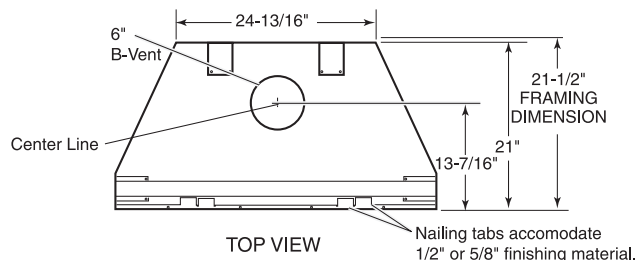
- Front opening width: 36"
- Front opening height: 21-1/2"
- Rear Wall Width: 20-1/2"
- Hearth Depth: 17"

**TECHNICAL INFORMATION**

- Max. Btu Input: 29,000 BTU/HR
- Ignition System: Standing Pilot or Electronic
- Gas Type: Natural or LP
- Flue Type: B Vent
- Vent Size: 6" B Vent
- Clearance on Flue: Specified by B Vent Manufacturer
- Clearance on Fireplace: 1/2"
- CSA Design Certified

**FIELD INSTALLED ACCESSORIES**

- Bi-fold Glass Doors: GD36PBA (Polished Brass), GD36BA (Black), GD36SSA (Stainless)
- Single Pane Glass Doors: GDS36PBA (Polished Brass), GDS36BA (Black), GDS36SSA (Stainless)
- Outside Combustion Air Kit: OAC4
- Ambient Technologies™ Remote Controls and Thermostats



A Brand of Monessen Hearth Systems Co.  
 149 Cleveland Drive, Paris, Kentucky 40361  
[www.majesticproducts.com](http://www.majesticproducts.com)



To avoid personal injury or property damage, the product described by this brochure must be installed, operated and maintained in strict compliance with the instructions packaged with the product and all applicable building or fire codes. Contact local building or fire officials about restrictions and installation inspection requirements. All photographs and drawings on this brochure are for illustrative purposes only and are not intended for, nor should they be used as a substitute for the instructions packaged with the unit. Appearance and specifications of the product are subject to change without notice. 04/09