

This Owner's Manual is provided and hosted by [Appliance Factory Parts](#).



MAJESTIC BVST DESIGNER SEE THRU Owner's Manual

[Shop genuine replacement parts for MAJESTIC BVST
DESIGNER SEE THRU](#)

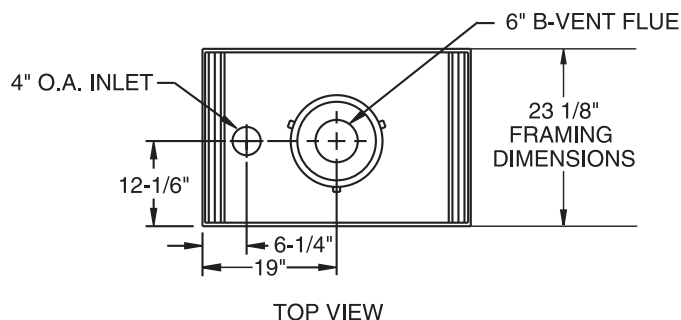


[Find Your MAJESTIC Fireplace Parts - Select From 585 Models](#)

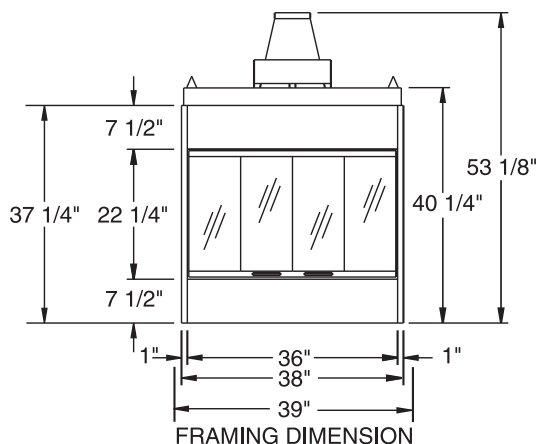
----- Manual continues below -----

PRODUCT SPECIFICATIONS

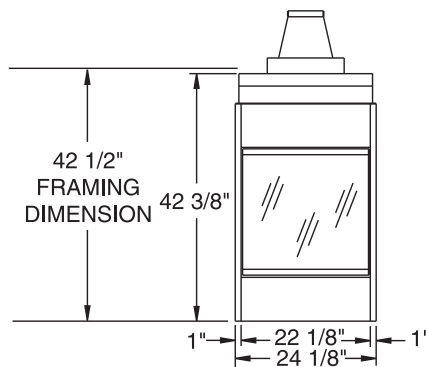
See-Thru (BVST) Prodigy Designer B Vent Fireplace



TOP VIEW



FRONT VIEW



SIDE VIEW

INTERIOR DIMENSIONS

Front opening width: 36"
 Front opening height: 22-1/4"
 Firebox Depth : 22-1/8"

TECHNICAL INFORMATION

Max. Btu Input: 42,000 BTU/HR
 Ignition System: Standing Pilot or Electronic
 Gas Type: Natural (LP Conversion Kit Available)
 Flue Type: B Vent
 Vent Size: 6" B Vent
 Clearance to Flue: Specified by B Vent Manufacturer
 Clearance to Fireplace: 1/2"
 CSA Design Certified

OPTIONAL ACCESSORIES

Firebrick
 Outside Combustion Air Kit: 6AK
 Ambient Technologies™ Remote Controls and Thermostats

Framing dimensions in illustrations accommodate 1/2" finishing material.



A Brand of Monessen Hearth Systems Co.
 149 Cleveland Drive, Paris, Kentucky 40361
www.majesticproducts.com



To avoid personal injury or property damage, the product described by this brochure must be installed, operated and maintained in strict compliance with the instructions packaged with the product and all applicable building or fire codes. Contact local building or fire officials about restrictions and installation inspection requirements. All photographs and drawings on this brochure are for illustrative purposes only and are not intended for, nor should they be used as a substitute for the instructions packaged with the unit. Appearance and specifications of the product are subject to change without notice. 04/09