

This Owner's Manual is provided and hosted by [Appliance Factory Parts](#).



MAJESTIC SAVANNAH SSWFTAPB Owner's Manual

[Shop genuine replacement parts for MAJESTIC SAVANNAH SSWFTAPB](#)

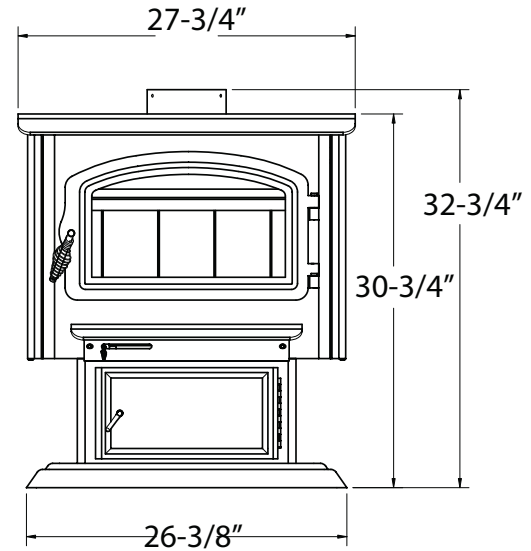


[Find Your MAJESTIC Fireplace Parts - Select From 585 Models](#)

----- Manual continues below -----

PRODUCT SPECIFICATIONS

SSW30FTAPB Medium Wood Burning Steel Stove

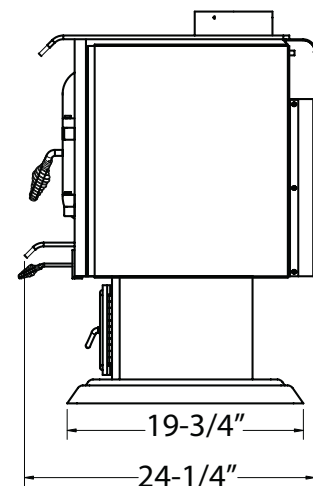


ACTUAL DIMENSIONS

- Width Top: 27-3/4"
- Depth: 24-1/4" (including ash lip)
- Height to Top of Collar: 32-3/4"
- Height to Top of Stove: 30-3/4"
- Door Opening: 9" x 18-1/2"

TECHNICAL INFORMATION

- Shipping Weight (Lbs.): 499
- Firebox Size (Cubic ft.): 2
- Log Length: 20"
- Fire Viewing Area (Sq. inch): 159
- Flue Size: 6"
- Non-Catalytic: Yes
- Emission (Grams/hr): 2.5
- Burn Rate (BTU/hr): 11,000 - 30,600
- Combustion Efficiency (%): 63
- Heating Capacity (Sq. Ft.): 2,200
- Clearances: (with double wall pipe)
- Back: 7" (measured from stove back)
- Corner: 7"
- Burn Time (Hrs): 10
- Washington State Approved



FIELD INSTALLED ACCESSORIES

- Door Trim Kit: Gold (SSW30GDTK) and Nickel (SSW30NDTK)
- Blower Kit (BLOTWS)
- 3" Outside Air Termination Kit (SSWOATK)
- Mobile Home Installation Kit (SSWMHIK)
- Gasket Kit (SSW30GK)



A Brand of Monessen Hearth Systems Co.
149 Cleveland Drive, Paris, Kentucky 40361
www.majesticproducts.com



To avoid personal injury or property damage, the product described by this brochure must be installed, operated and maintained in strict compliance with the instructions packaged with the product and all applicable building or fire codes. Contact local building or fire officials about restrictions and installation inspection requirements. All photographs and drawings on this brochure are for illustrative purposes only and are not intended for, nor should they be used as a substitute for the instructions packaged with the unit. Appearance and specifications of the product are subject to change without notice. 02/10 v.02