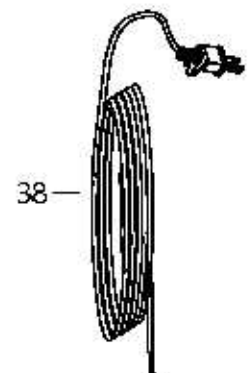
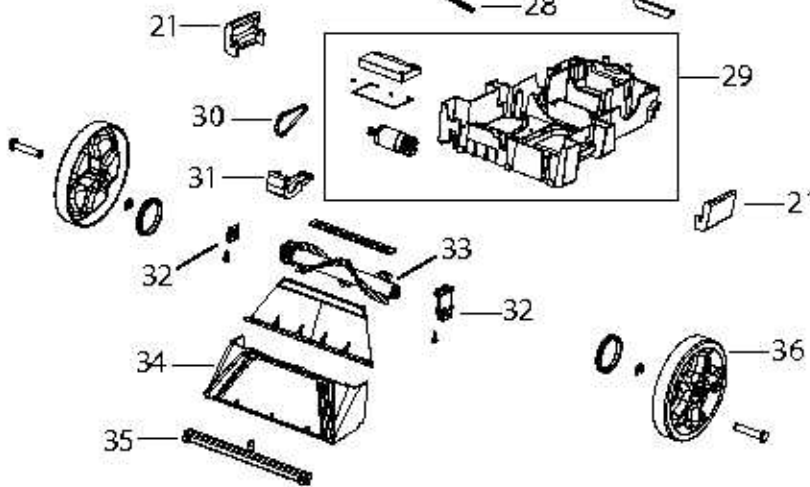
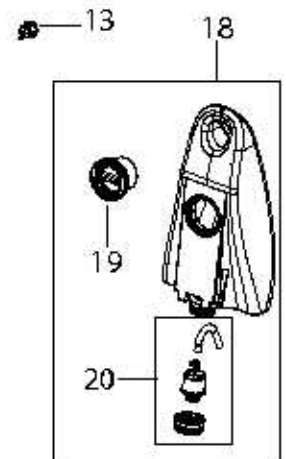
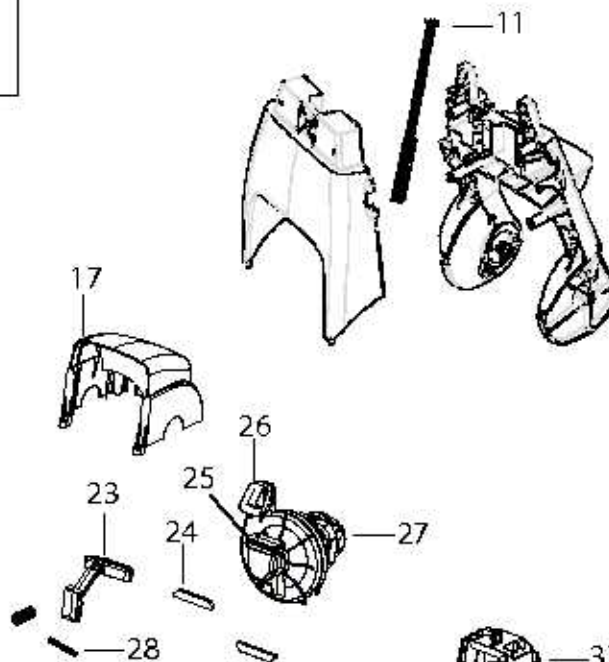
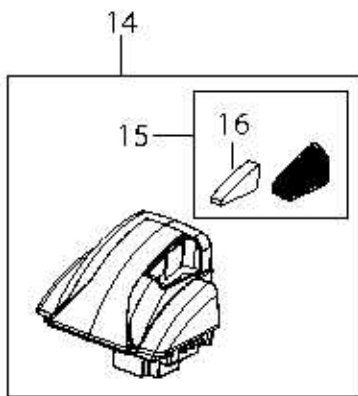
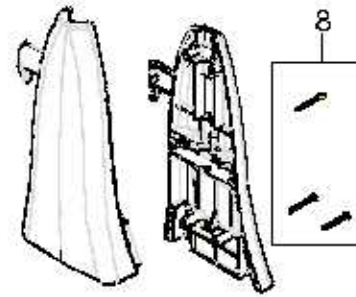
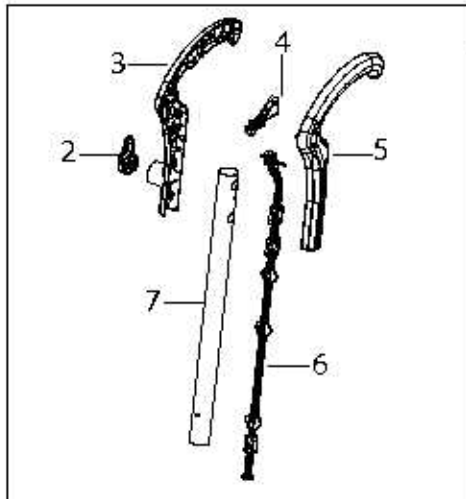




QUICKSTEAMER

Model 2070



Lightweight Deep Cleaner

Quicksteamer 2070 Series



KEY PART NO	DESCRIPTION
1 6032010	HANDLE ASSY W/ CORD WRAP
2 2041107	CORD WRAP
3 2041104	HANDLE - RT SIDE
4 2041103	TRIGGER
5 2041108	HANDLE - LT SIDE
6 2041106	PUSH ROD - UPPER
7 6037806	TUBING
8 2035616	HANDLE SCREW KIT (2+1)
9 2041106	UPPER PUSH ROD
10 2041126	RECEIVER ASSY
11 2035614	PUSH ROD - LOWER
13 2041128	ON/OFF SWITCH
14 6032008	DIRTY WATER TANK w/ PANEL & FILTER - DUSK
15 2041124	EXHAUST VENT PANEL W/ FILTER - DUSK
16 6037824	FOAM FILTER
17 2041125	REAR COVER
18 6032009	CLEAN WATER TANK - DUSK
19 2041112	FORMULA MEASURING CUP
20 2041111	CAP AND INSERT
21 6037820	TANK LATCHES - TWO
23 2041114	DETENT LEVER
24 0106357	REAR MOTOR SUPPORT
25 2041122	MOTOR INTAKE GASKET
26 6037825	MOTOR OUTLET GASKET
27 6037807	COMPLETE MOTOR ASSY
28 2041115	METAL DETENT DOWEL
29 2041117	BASE ASSY W/ BRUSH MOTOR
30 6032007	BRUSH BELT
31 2041131	BRUSH COVER
32 2041130	BRUSH SUP BUSHING RT/LT
33 6032006	BRUSH ASSY
34 2041120	FRONT NOZZLE ASSY
35 2041118	SPRAY BAR
36 2041121	WHEEL
37 2041113	MOTOR COVER
38 6037803	POWER CORD
xx 2035600	USER'S GUIDE