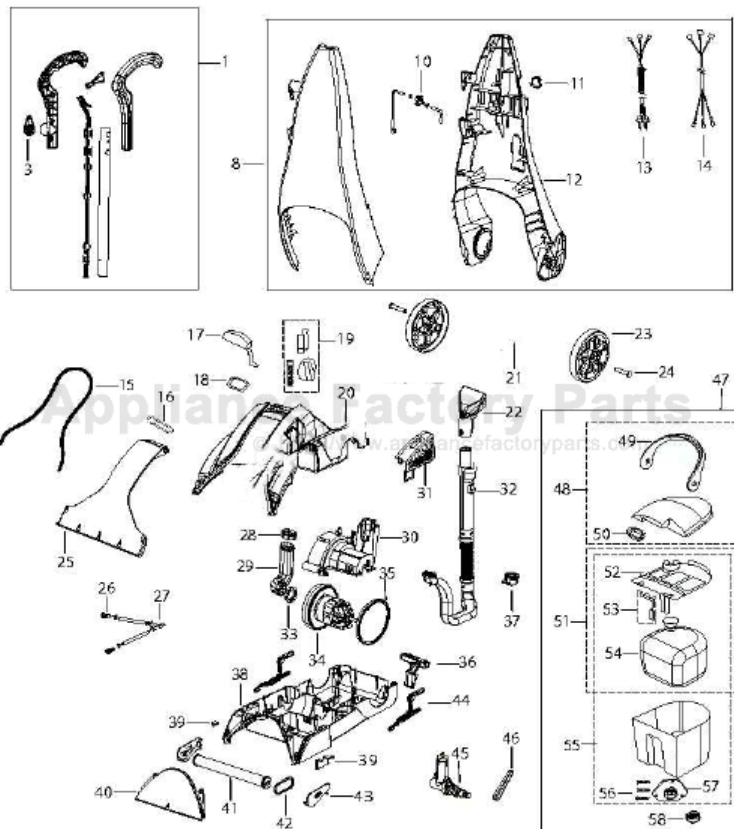


This Owner's Manual is provided and hosted by [Appliance Factory Parts](#).



Bissell 1692 Owner's Manual

[Shop genuine replacement parts for Bissell 1692](#)



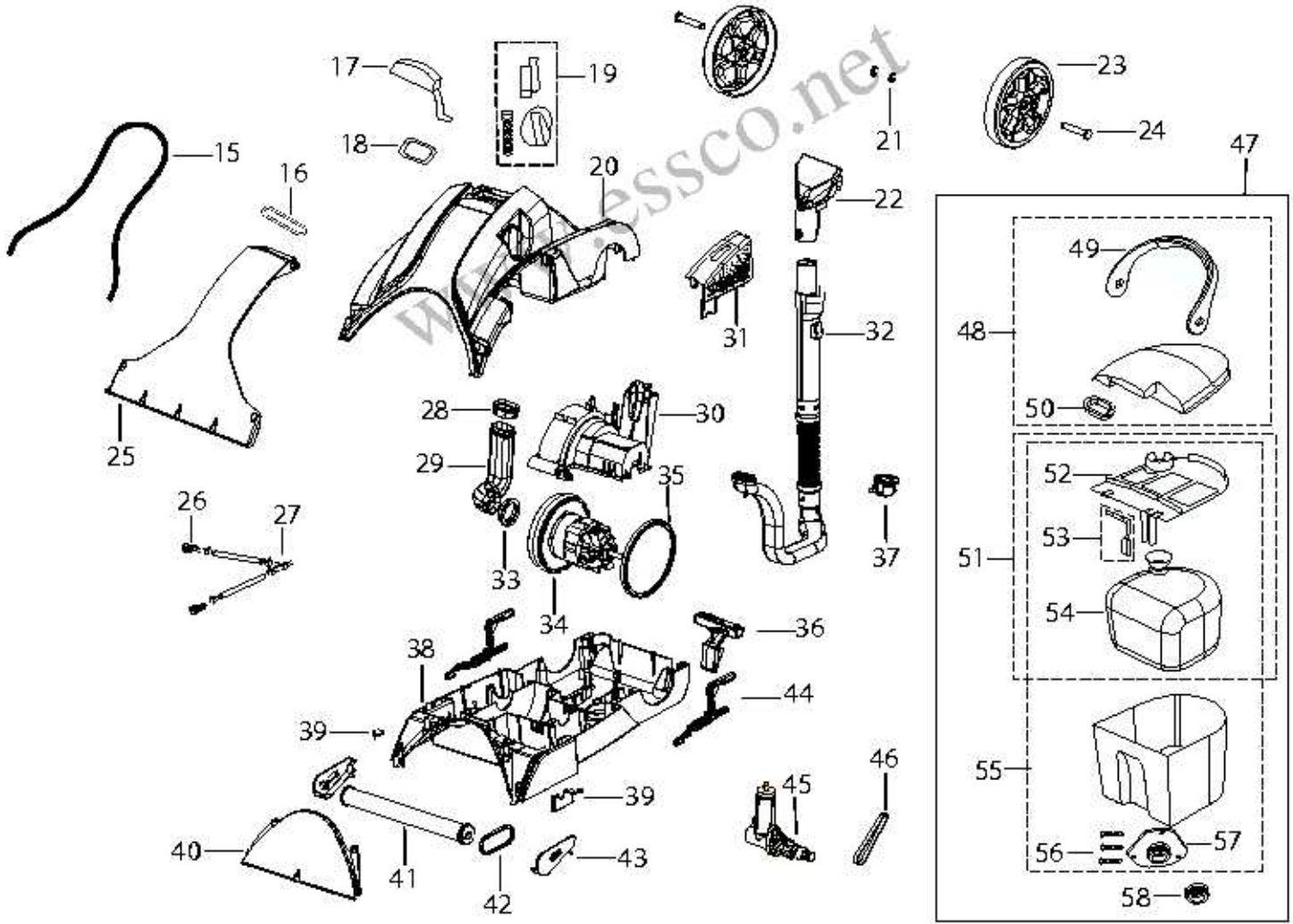
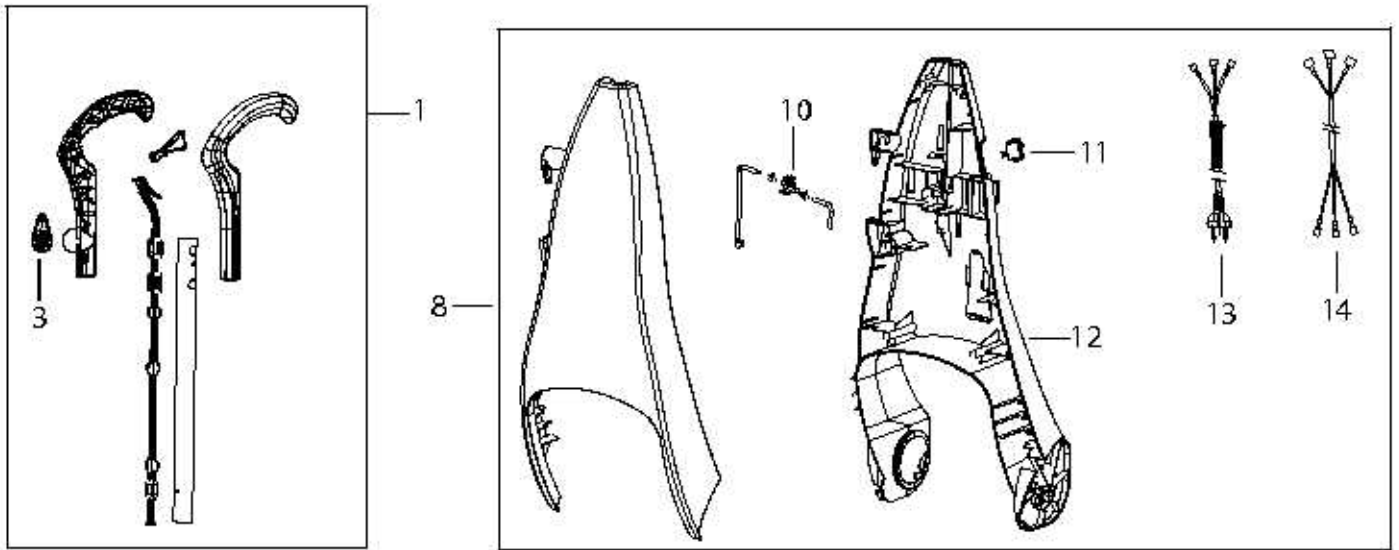
[Find Your Bissell Vacuum Cleaner Parts - Select From 376 Models](#)

----- Manual continues below -----



Upright Deep Cleaner

Model 1692



BISSELL Service Center Dept.

Issued: 08/03

UPRIGHT DEEP CLEANER**POWERSTEAMER 1692**

KEY	PART NO	DESCRIPTION
1	B-214-4035	HANDLE & GRIP ASSY MIDNIGHT BLUE
3	B-210-6377	CORD WRAP, MIDNIGHT BLUE
8	B-555-6101	LOWER HANDLE COMP., MIDNIGHT BLUE
10	B-210-9592	VALVE ASSY W/ VINYL TUBE
11	B-555-9125	SWITCH ROCKER, RED
12	B-214-4045	HANDLE BACK ASSY, BLUE
13	B-210-2836	CORDSET 1692
14	B-210-4446	HARNES W/ INS TERMINALS
15	B-210-3418	GASKET EXTRUDED .136" x 32"
16	B-210-4052	TANK INTERFACE SEAL
17	B-213-6988	DIVERTER, MED COOL GREY
18	B-211-4054	DIVERTER GASKET
19	B-214-5170	DIVERTER KNOB
20	B-215-4938	MAIN HOUSING, MIDNIGHT BLUE
21	B-210-6215	AXLE E-RING
22	B-215-9155	TUFF STAIN TOOL 3"
23	B-213-9754	WHEEL
24	B-210-0170	AXLE
25	B-214-9872	WINDOW NOZZLE
26	B-210-6107	SPRAY TIP
28	B-210-4050	DUCT GASKET
29	B-210-3161	MOTOR DUCT
30	B-213-2984	MOTOR COVER
31	B-214-2952	BELT COVER, MIDNIGHT BLUE
32	B-215-3162	HOSE/DUCT/GRIP ASSY 6'
33	B-210-4051	MOTOR INTAKE GASKET
34	B-017-5972	MOTOR
35	B-210-4056	MOTOR GASKET
36	B-555-9102	PEDAL - HANDLE RELEASE
37	B-214-0710	AUTOLOAD RECEIVER
38	B-214-0449	BASE W/ ROTARY BRUSH
39	B-555-9113	ARM RETAINER RT & LT
40	B-214-9867	CLEARVIEW WINDOW <02120
40	B-214-9851	CLEARVIEW WINDOW >02165
41	B-210-1157	BRUSH - 4 ROW
42	B-015-0621	BRUSH BELT
43	B-214-0054	PIVOT ARM LEFT & RIGHT KIT
44	B-200-0010	LEVER ELEVATOR LEFT & RIGHT
45	B-210-7181	PUMP
46	B-215-0628	PUMP BELT
47	B-015-9043	TANK ASSY W/ LINT SCN
48	B-015-4439	TANK LID W/ SCN, GASKET, & HANDLE
49	B-203-4435	TANK HANDLE
50	B-213-3501	LINT SCREEN, RED
51	B-214-0213	BAFFLE & BLADDER ASSY
52	B-213-0213	BAFFLE & FLOAT ASSY
53	B-214-0325	FLOAT ASSY
54	B-210-0315	BLADDER
55	B-214-9045	TANK BOTTOM W/ AUTOLOAD
56	B-280-7075	SCREW #6 x 1/2
57	B-210-7041	AUTO LOAD ASSY
58	B-210-6241	OVERSEAL FOR AUTOLOAD
xx	2102485	CLAMP LARGE
xx	2102490	CLAMP SMALL
xx	2102602	CONNECTOR T
xx	2139438	TUBE VINYL 20"
xx	2139449	TUBE VINYL 7.5"
xx	2158001	T ASSY ODD BARB
xx	2806301	HANDLE SCREW
xx	5557030	SCREW #8 x 3/4 6-PACK
xx	2105898	USER'S GUIDE

Issued: 05/02
Revised: 08/03