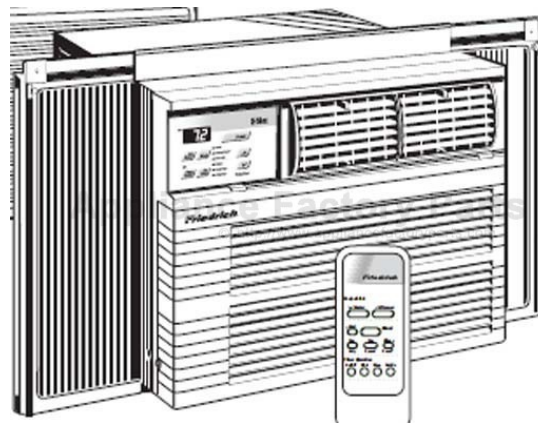


This Owner's Manual is provided and hosted by [Appliance Factory Parts](#).



# FRIEDRICH YS13L33-B Owner's Manual

[Shop genuine replacement parts for FRIEDRICH  
YS13L33-B](#)



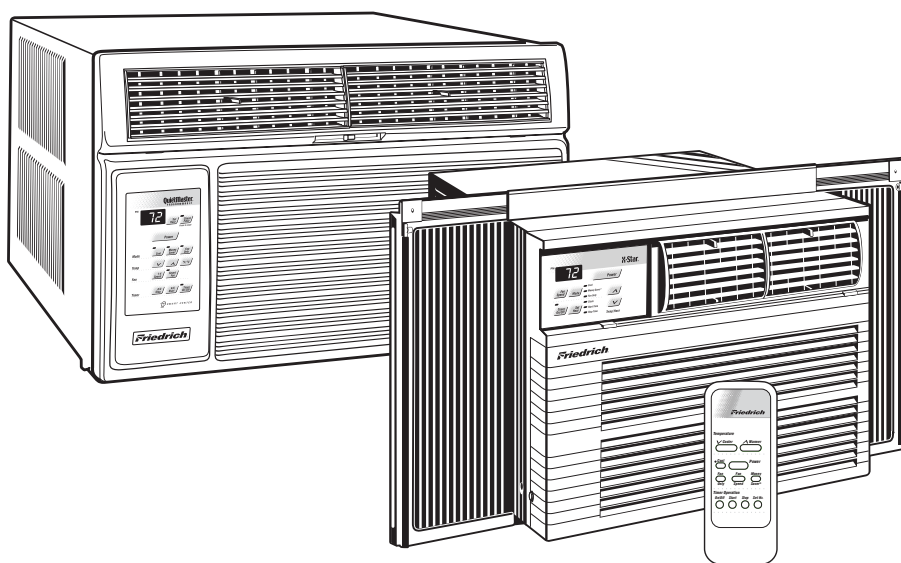
[Find Your FRIEDRICH Air Conditioner Parts - Select From 1575 Models](#)

----- Manual continues below -----

# **Friedrich**

## *2007 Parts Manual*

### **Room Air Conditioners**



---

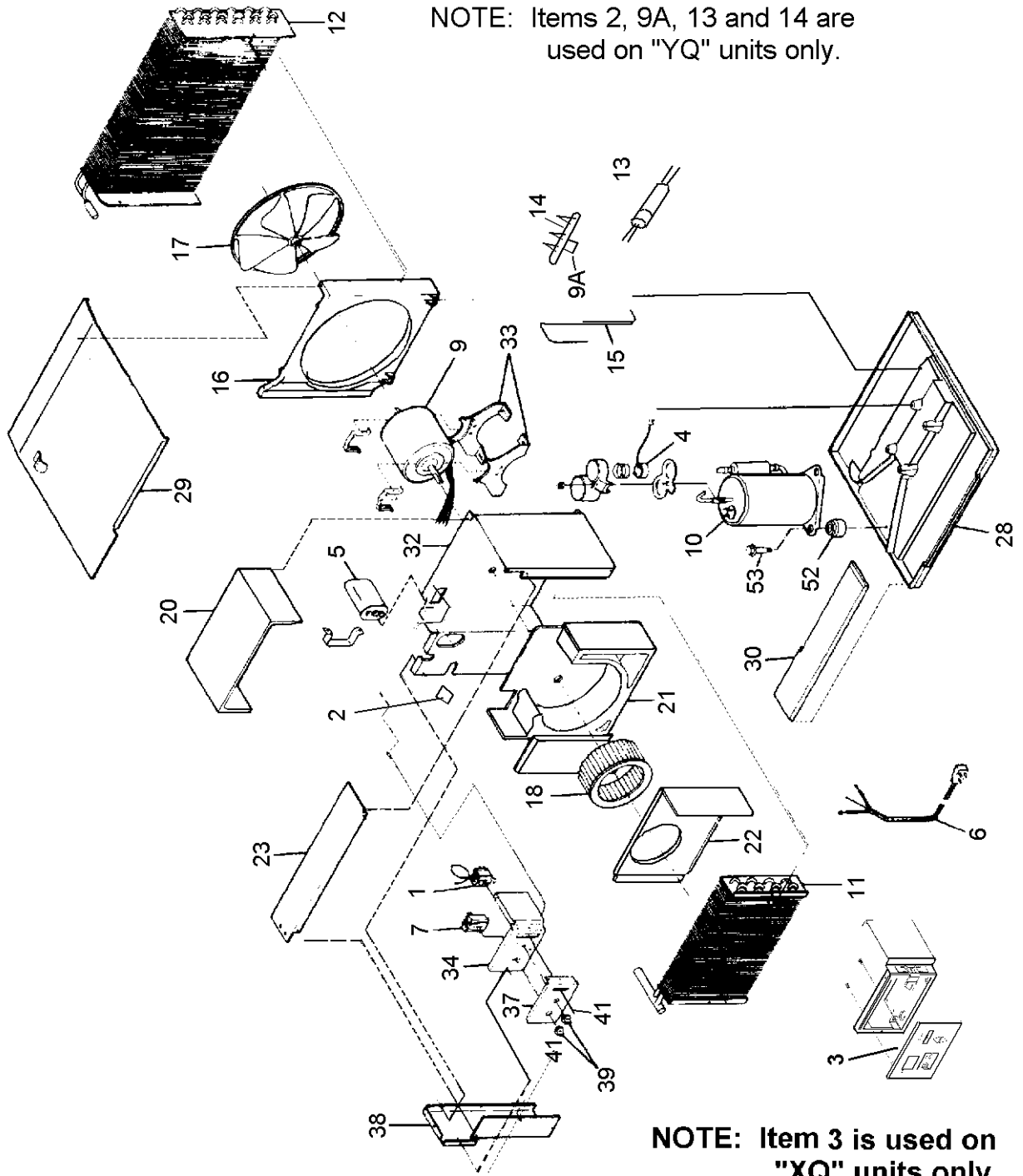
## **TABLE OF CONTENTS**

|   |       |
|---|-------|
| PORTABLE "Q" SERIES UNITS .....                       | 4-8   |
| SMALL CHASSIS "S" SERIES UNITS (115 & 230 VOLT) ..... | 9-16  |
| MEDIUM CHASSIS "M" SERIES UNITS (115 & 230 VOLT)..... | 17-21 |
| LARGE CHASSIS "L" SERIES UNITS .....                  | 22-25 |

# PORTABLE "Q" SERIES

## CABINET PARTS

NOTE: Items 2, 9A, 13 and 14 are used on "YQ" units only.

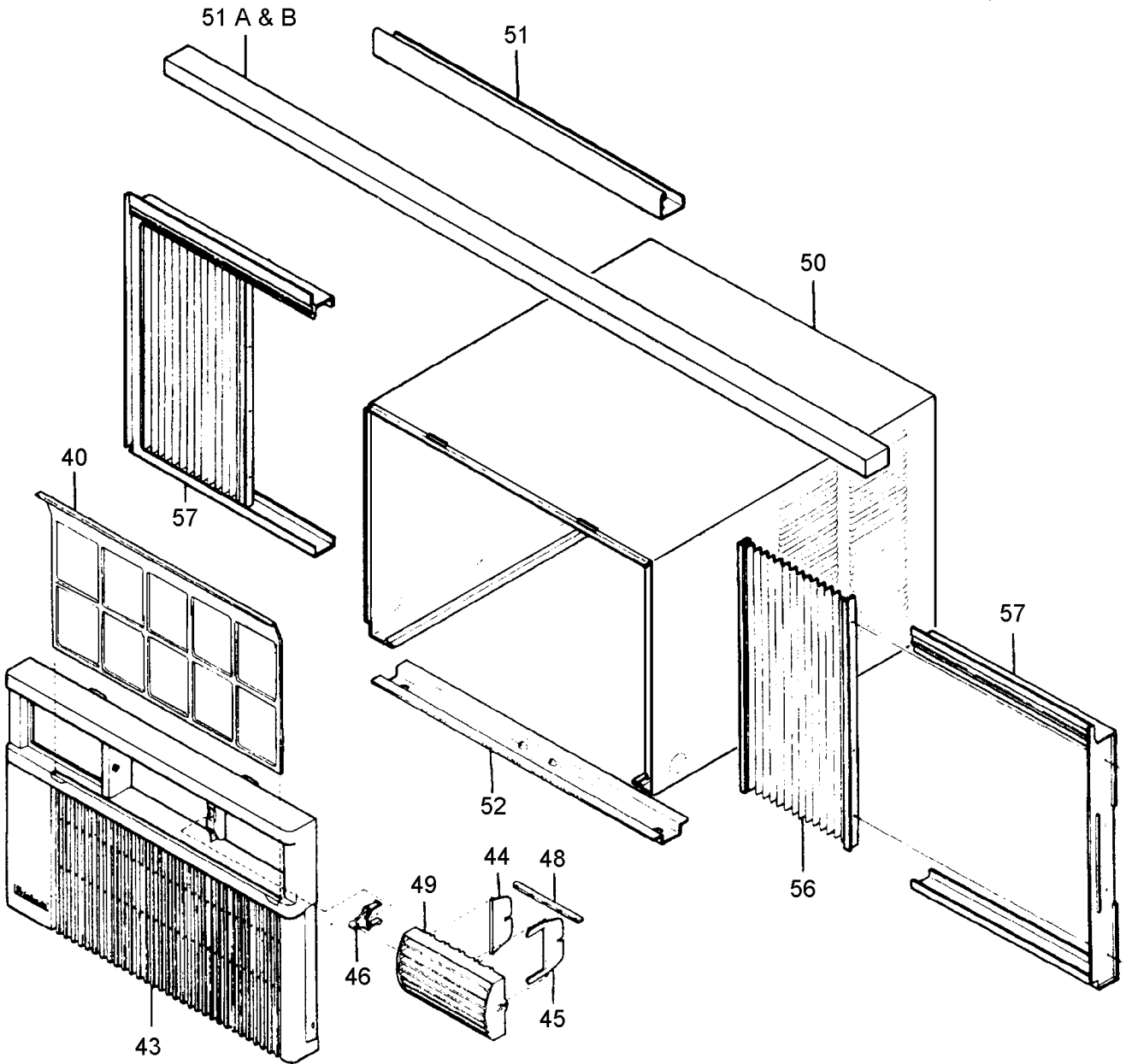


NOTE: Item 3 is used on "XQ" units only.

# PORTABLE "Q" SERIES

## CABINET PARTS

NOTE: Items 51, 56 and 57 are not included with the "YQ" unit.



## PORTABLE "Q" SERIES

| REF | DESCRIPTION                  | PART NO. | XQ         |            |            |            |            |            | EQ         | YQ         |            | CODE  |     |     |
|-----|------------------------------|----------|------------|------------|------------|------------|------------|------------|------------|------------|------------|-------|-----|-----|
|     |                              |          | XQ05L10A-A | XQ05L10A-B | XQ06L10A-B | XQ08L10A-A | XQ10L10A-A | XQ12L10A-A | EQ08L11A-A | YQ07L10A-A | YQ07L10A-B |       |     |     |
|     | <b>ELECTRICAL PARTS</b>      |          |            |            |            |            |            |            |            |            |            |       |     |     |
| 1   | THERMOSTAT                   | 61828401 |            |            |            |            |            |            |            |            | 1          | 1     | 120 |     |
| 1   | THERMOSTAT                   | 61822401 |            |            |            |            |            |            | 1          |            |            |       | 120 |     |
| 2   | THERMOSTAT, DEFROST          | 60442500 |            |            |            |            |            |            |            |            | 1          | 1     | 122 |     |
| 3   | ELECTRONIC BOARD             | 61921192 | 1          | 1          | 1          | 1          | 1          | 1          |            |            |            |       | 340 |     |
| *   | REMOTE CONTROL               | 61826606 | 1          | 1          | 1          | 1          | 1          | 1          |            |            |            |       | 350 |     |
| *   | RESISTOR                     | 61900500 |            |            |            |            |            |            | 1          |            | 1          | 1     | 200 |     |
| 4   | OVERLOAD                     | 61764528 |            |            |            |            |            |            |            | 1          |            |       | 190 |     |
| 4   | OVERLOAD                     | 61764539 | 1          | 1          | 1          |            |            |            |            |            |            |       | 190 |     |
| 4   | OVERLOAD                     | 61764519 |            |            |            |            |            | 1          |            |            |            |       | 190 |     |
| 4   | OVERLOAD                     | 61764507 |            |            |            |            | 1          |            | 1          |            | 1          | 1     | 190 |     |
| 5   | CAPACITOR                    | 61080570 |            |            |            |            |            |            |            | 1          |            |       | 150 |     |
| 5   | CAPACITOR                    | 61080550 | 1          | 1          | 1          | 1          |            |            | 1          |            | 1          | 1     | 150 |     |
| 5   | CAPACITOR                    | 61080528 |            |            |            |            |            | 1          |            |            |            |       | 150 |     |
| 6   | SUPPLY CORD                  | 60500330 | 1          | 1          | 1          | 1          | 1          | 1          | 1          | 1          | 1          | 1     | 220 |     |
| 7   | SWITCH ROTARY 6 POS          | 60441607 |            |            |            |            |            |            |            |            |            | 1     | 130 |     |
| 7   | SWITCH ROTARY 6 POS          | 60441610 |            |            |            |            |            |            |            | 1          |            |       | 130 |     |
| *   | HEATER                       | 61929611 |            |            |            |            |            |            |            | 1          |            |       | 193 |     |
| 9   | FAN MOTOR                    | 61871468 |            |            |            |            |            |            |            |            |            | 1     | 110 |     |
| 9   | FAN MOTOR                    | 61871451 | 1          | 1          | 1          | 1          | 1          | 1          |            |            |            |       | 110 |     |
| 9   | FAN MOTOR                    | 61871452 |            |            |            |            |            |            |            | 1          | 1          | 1     | 110 |     |
| 9A  | SOLENOID, REV. VALVE         | 25063505 |            |            |            |            |            |            |            |            |            | 1     | 240 |     |
| *   | SOLENOID and REVERSING VALVE | 25022022 |            |            |            |            |            |            |            |            | 1          |       | 240 |     |
|     | <b>REFRIGERATION PARTS</b>   |          |            |            |            |            |            |            |            |            |            |       |     |     |
| 10  | COMPRESSOR                   | 61562832 |            |            |            |            | 1          |            |            | 1          |            | 1     | 600 |     |
| 10  | COMPRESSOR                   | 61716671 |            |            |            |            |            | 1          |            |            |            |       | 600 |     |
| 10  | COMPRESSOR                   | 61985100 |            |            | 1          |            |            |            |            |            |            |       | 600 |     |
| 10  | COMPRESSOR                   | 61985101 | 1          | 1          |            |            |            |            |            |            |            |       | 600 |     |
| 10  | COMPRESSOR                   | 61716670 |            |            |            |            |            |            | 1          |            |            |       | 600 |     |
| 11  | EVAPORATOR COIL              | 61600257 |            |            | 1          |            |            |            |            |            | 1          |       | 400 |     |
| 11  | EVAPORATOR COIL              | 61600258 |            |            |            | 1          |            |            |            | 1          |            | 1     | 400 |     |
| 11  | EVAPORATOR COIL              | 61600268 | 1          | 1          |            |            |            |            |            |            |            |       | 400 |     |
| 11  | EVAPORATOR COIL              | 62050018 |            |            |            |            |            | 1          |            |            |            |       | 400 |     |
| 11  | EVAPORATOR COIL              | 62050020 |            |            |            |            |            |            | 1          |            |            |       | 400 |     |
| 12  | CONDENSER COIL               | 61600352 | 1          |            |            |            |            |            |            |            |            |       | 410 |     |
| 12  | CONDENSER COIL               | 61600519 |            | 1          | 1          | 1          |            |            |            | 1          |            | 1     | 410 |     |
| 12  | CONDENSER COIL               | 62050319 |            |            |            |            |            | 1          |            |            |            |       | 410 |     |
| 12  | CONDENSER COIL               | 61600515 |            |            |            |            |            |            |            |            | 1          |       | 410 |     |
| 12  | CONDENSER COIL               | 62103404 |            |            |            |            |            |            | 1          |            |            |       | 410 |     |
| *   | DRIER, LIQUID                | 61481300 | 1          | 1          | 1          | 1          | 1          | 1          | 1          |            |            |       | 480 |     |
| *   | DRIER, SUCTION               | 61828200 |            |            |            |            |            |            |            |            |            | 1     | 1   | 480 |
| 13  | CHECK VALVE                  | 61824400 |            |            |            |            |            |            |            |            | 1          | 1     | 510 |     |
| 14  | REVERSING VALVE              | 25018305 |            |            |            |            |            |            |            |            |            | 1     | 500 |     |
| *   | SOLENOID and REVERSING VALVE | 25022022 |            |            |            |            |            |            |            |            | 1          |       | 500 |     |
| 15  | CAPILLARY TUBE               | 03760473 |            |            |            |            |            |            |            | 1          |            |       | 471 |     |
| 15  | CAPILLARY TUBE               | 03760520 |            |            |            |            |            | 1          |            |            |            |       | 471 |     |
| 15  | CAPILLARY TUBE               | 03760545 | 1          | 1          | 1          |            |            |            |            |            |            | 1-HTG | 471 |     |
| 15  | CAPILLARY TUBE               | 03760513 |            |            |            | 1          |            |            |            | 1          |            |       | 471 |     |
| 15  | CAPILLARY TUBE (HTG)         | 03760500 |            |            |            |            |            |            |            |            | 1          |       | 471 |     |
| 15  | CAPILLARY TUBE (CLG)         | 03760554 |            |            |            |            |            |            |            |            | 1          | 1     | 471 |     |

\* PARTS NOT SHOWN

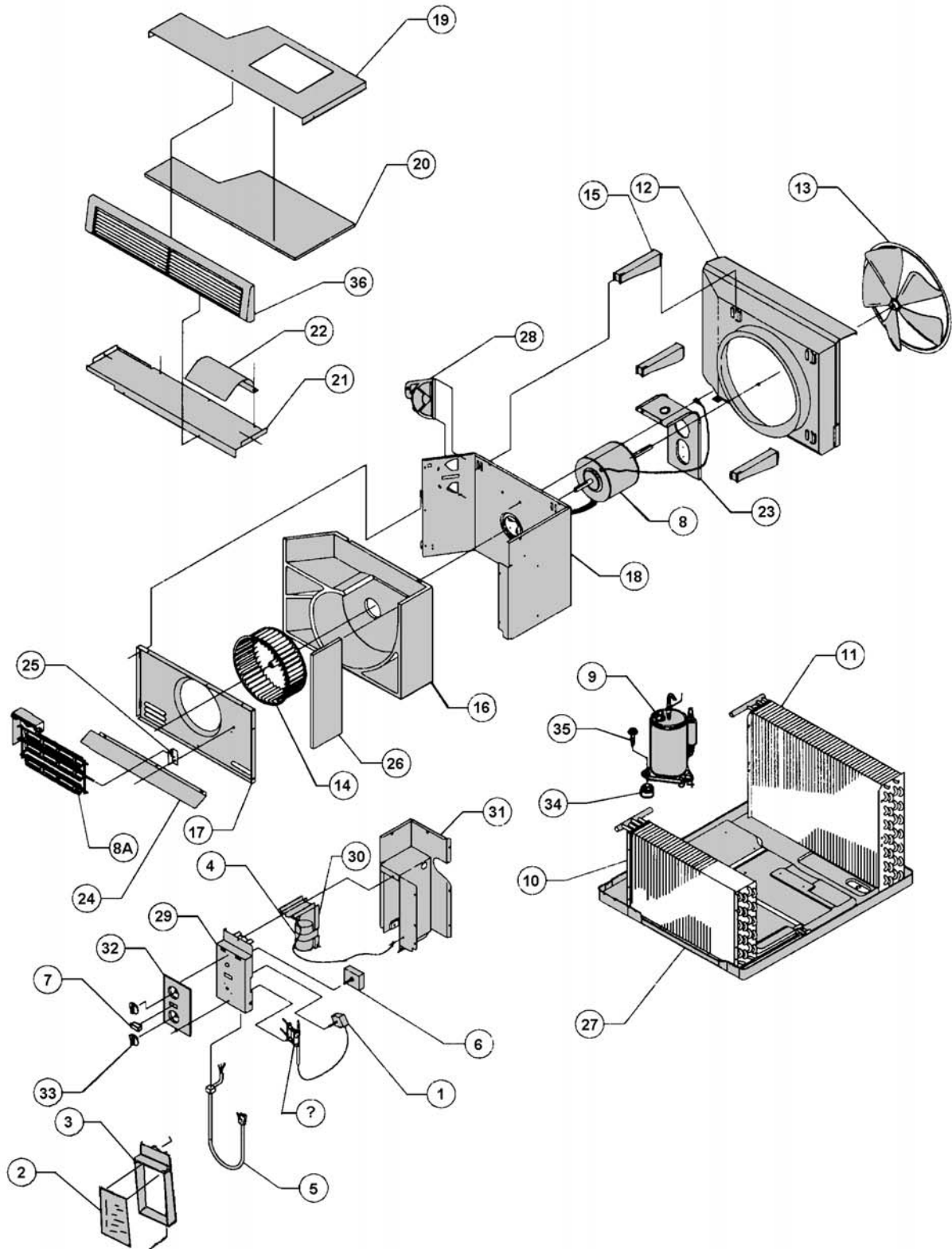
## PORTABLE "Q" SERIES

| REF                         | DESCRIPTION          | PART NO. | XQ         |            |            |            |            |            | EQ         | YQ         |            | CODE |
|-----------------------------|----------------------|----------|------------|------------|------------|------------|------------|------------|------------|------------|------------|------|
|                             |                      |          | XQ05L10A-A | XQ05L10A-B | XQ06L10A-B | XQ08L10A-A | XQ10L10A-A | XQ12L10A-A | EQ08L11A-A | YQ07L10A-A | YQ07L10A-B |      |
| <b>CHASSIS PARTS</b>        |                      |          |            |            |            |            |            |            |            |            |            |      |
| 16                          | SHROUD, CONDENSER    | 61627601 | 1          | 1          | 1          | 1          | 1          | 1          | 1          | 1          | 1          | 720  |
| 17                          | FAN BLADE            | 61634000 |            |            |            |            |            | 1          |            |            |            | 710  |
| 17                          | FAN BLADE            | 61634001 | 1          | 1          | 1          | 1          | 1          | 1          | 1          | 1          | 1          | 710  |
| 18                          | BLOWER WHEEL         | 60610604 |            |            |            |            |            | 1          |            |            |            | 700  |
| 18                          | BLOWER WHEEL         | 60610606 | 1          | 1          | 1          |            |            |            |            | 1          | 1          | 700  |
| 18                          | BLOWER WHEEL         | 60610612 |            |            |            | 1          | 1          |            | 1          |            |            | 700  |
| 20                          | COVER BLOWER         | 61619513 | 1          | 1          | 1          | 1          | 1          |            | 1          | 1          | 1          | 745  |
| 20                          | COVER BLOWER         | 61619517 |            |            |            |            |            | 1          |            |            |            | 745  |
| 21                          | WRAPPER, SCROLL,     | 61990605 | 1          | 1          | 1          | 1          | 1          | 1          | 1          | 1          | 1          | 741  |
| 22                          | FRONT, BLOWER        | 61928801 |            |            |            |            |            |            | 1          |            |            | 742  |
| 22                          | FRONT, BLOWER        | 61990700 | 1          | 1          | 1          | 1          | 1          | 1          |            | 1          | 1          | 742  |
| 23                          | DECK, BLOWER         | 61619405 |            |            |            |            |            |            | 1          |            |            | 745  |
| 23                          | DECK, BLOWER         | 61990500 | 1          | 1          | 1          | 1          | 1          | 1          |            | 1          | 1          | 745  |
| 28                          | BASE PAN             | 61626312 | 1          | 1          | 1          | 1          |            |            |            | 1          | 1          | 730  |
| 28                          | BASE PAN             | 61626313 |            |            |            |            | 1          | 1          |            |            |            | 730  |
| 28                          | BASE PAN             | 61626314 |            |            |            |            |            |            | 1          |            |            | 730  |
| 29                          | COVER, UNIT TOP      | 61619513 | 1          | 1          | 1          | 1          | 1          | 1          | 1          | 1          | 1          | 746  |
| 30                          | DRAIN PAN, EVAP.     | 61638400 | 1          | 1          | 1          | 1          | 1          | 1          | 1          | 1          | 1          | 840  |
| 32                          | INNER WALL           | 61597317 | 1          | 1          | 1          | 1          | 1          | 1          |            |            |            | 777  |
| 32                          | INNER WALL           | 61597316 |            |            |            |            |            |            |            | 1          | 1          | 777  |
| 32                          | INNER WALL           | 61597318 |            |            |            |            |            |            | 1          |            |            | 777  |
| 33                          | FAN MOTOR MOUNT      | 61776900 |            |            |            |            |            | 1          |            |            |            | 900  |
| 33                          | FAN MOTOR MOUNT      | 61776903 | 1          | 1          | 1          | 1          | 1          | 1          | 1          | 1          | 1          | 900  |
| *                           | SCREW, FAN MTR. MT.  | 21004672 | 4          | 4          | 4          | 4          | 4          | 4          | 4          | 4          | 4          | 999  |
| 34                          | CONTROL MT. BRACKET  | 61619612 |            |            |            |            |            |            | 1          | 1          | 1          | 763  |
| 34                          | CONTROL MT. BRACKET  | 61923901 | 1          | 1          | 1          | 1          | 1          | 1          |            |            |            | 763  |
| 37                          | CONTROL DEC. PANEL   | 61715921 |            |            |            |            |            |            | 1          | 1          | 1          | 760  |
| 38                          | PANEL ASSLY, L/S     | 61924300 |            |            |            |            | 1          | 1          |            |            |            | 765  |
| 38                          | PANEL ASSLY, L/S     | 61924900 | 1          | 1          | 1          | 1          |            |            | 1          | 1          | 1          | 765  |
| 39                          | CONTROL KNOBS        | 61911605 |            |            |            |            |            |            | 2          | 2          | 2          | 761  |
| *                           | HOLDER, TSTAT BULB   | 61900500 |            |            |            |            |            |            | 1          | 1          | 1          | 764  |
| *                           | HOLDER, THERMISTER   | 61925001 | 1          | 1          | 1          | 1          | 1          | 1          |            |            |            | 764  |
| 40                          | FILTER, AIR          | 61632315 | 1          | 1          | 1          | 1          | 1          | 1          | 1          | 1          | 1          | 754  |
| *                           | LINK EXHAUST DOOR    | 61639301 | 1          | 1          | 1          | 1          | 1          | 1          |            |            |            | 811  |
| *                           | EXHAUST DOOR         | 61632202 | 1          | 1          | 1          | 1          | 1          | 1          |            |            |            | 810  |
| *                           | WIRE CLIP, EXHAUST   | 60301800 | 1          | 1          | 1          | 1          | 1          | 1          |            |            |            | 999  |
| *                           | SLIDE EXHAUST DOOR   | 61923802 | 1          | 1          | 1          | 1          | 1          | 1          |            |            |            | 999  |
| 43                          | FRONT, DECORATIVE    | 61637716 | 1          | 1          | 1          | 1          | 1          | 1          | 1          | 1          | 1          | 750  |
| 50                          | SHELL, OUTER ASSY    | 61623001 | 1          | 1          | 1          | 1          | 1          | 1          | 1          | 1          | 1          | 720  |
| 51                          | ANGLE, TOP SUPPORT   | 61627313 | 1          | 1          | 1          | 1          | 1          | 1          |            |            |            | 999  |
| 52                          | CHANNEL, SILL        | 61627211 | 1          | 1          | 1          | 1          | 1          | 1          | 1          | 1          | 1          | 999  |
| *                           | SCRIPT, FRIEDRICH    | 60169110 | 1          | 1          | 1          | 1          | 1          | 1          | 1          | 1          | 1          | 999  |
| 51A                         | GASKET, CHASSIS SEAL | 61717300 | 1          | 1          | 1          | 1          | 1          | 1          | 1          | 1          | 1          | 780  |
| 51B                         | GASKET, WINDOW SEAL  | 60073300 | 1          | 1          | 1          | 1          | 1          | 1          |            |            |            | 780  |
| *                           | BAG ASSLY (SCREWS)   | 61778700 | 1          | 1          | 1          | 1          | 1          | 1          |            |            |            | 999  |
| *                           | BAG ASSLY (SCREWS)   | 61778701 |            |            |            |            |            |            | 1          | 1          | 1          | 999  |
| *                           | COUNTER WEIGHT       | 61715800 | 2          | 2          | 2          | 2          | 1          | 1          | 2          | 2          | 2          | 999  |
| *                           | SEAL, FAN MOTOR      | 60217902 | 1          | 1          | 1          | 1          | 1          | 1          | 1          | 1          | 1          | 780  |
| 52                          | GROMMET, COMP. MT.   | 61028900 | 3          | 3          | 3          | 3          | 3          | 3          | 3          | 3          | 3          | 790  |
| 53                          | SCREW, COMP. MT.     | 91400400 | 3          | 3          | 3          | 3          | 3          | 3          | 3          | 3          | 3          | 999  |
| 56                          | CURTAIN ASSLY.       | 61680205 | 1          | 1          | 1          | 1          | 1          | 1          |            |            |            | 999  |
| *                           | CARTON, SHIPPING     | 61841918 | 1          | 1          | 1          | 1          | 1          | 1          | 1          | 1          | 1          | 999  |
| *                           | PAD SHIPPING TOP     | 61769700 | 1          | 1          | 1          | 1          | 1          | 1          | 1          | 1          | 1          | 999  |
| *                           | PAD SHIPPING BOTTOM  | 61716400 | 1          | 1          | 1          | 1          | 1          | 1          | 1          | 1          | 1          | 999  |
| <b>OPTIONAL ACCESSORIES</b> |                      |          |            |            |            |            |            |            |            |            |            |      |
| *                           | ANTI-ICE KIT         | 61680600 |            |            |            |            |            |            | 1          | 1          | 1          |      |
| *                           | START ASSIST (PTCR)  | 61008903 | 1          | 1          | 1          | 1          | 1          | 1          | 1          | 1          | 1          |      |
| *                           | DRAIN KIT, DC-2      | 01900235 | 1          | 1          | 1          | 1          | 1          | 1          | 1          | 1          | 1          |      |

\* PARTS NOT SHOWN

# SMALL CHASSIS "S" SERIES

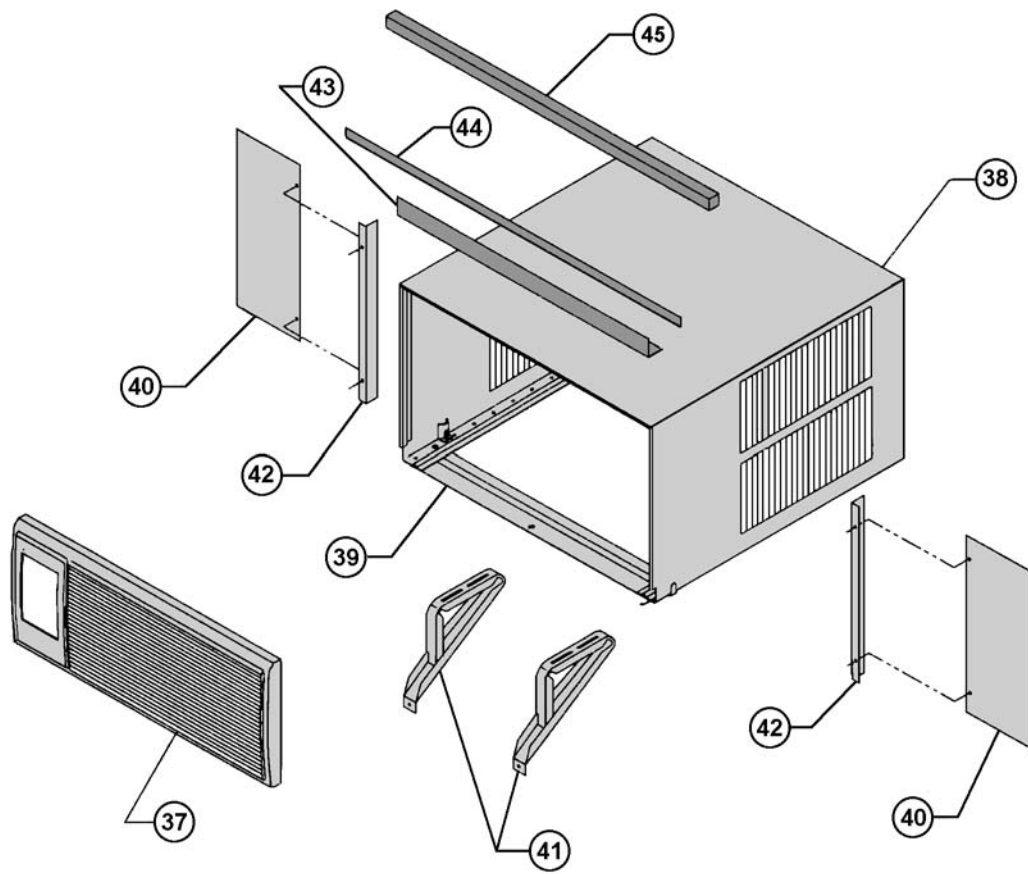
## CHASSIS PARTS (ES, SS & YS)





## SMALL CHASSIS "S" SERIES

### CHASSIS PARTS (ES, SS & YS)



## SMALL CHASSIS "S" SERIES - 115V

| REF | DESCRIPTION                         | PART NO. | KS        |           |           | SS        |           |           |           |           | YS        |           | CODE |
|-----|-------------------------------------|----------|-----------|-----------|-----------|-----------|-----------|-----------|-----------|-----------|-----------|-----------|------|
|     |                                     |          | KS12L10-C | KS12L10-D | KS15L10-B | SS08L10-C | SS08L10-D | SS10L10-C | SS12L10-D | SS14L10-C | YS09L10-D | YS09L10-E |      |
|     | <b>ELECTRICAL PARTS</b>             |          |           |           |           |           |           |           |           |           |           |           |      |
| 1   | THERMOSTAT                          | 61828500 | 1         | 1         | 1         |           |           |           |           |           |           |           | 120  |
| 1   | THERMOSTAT                          | 61828400 |           |           |           |           |           |           |           |           | 1         | 1         | 120  |
| *   | THERMOSTAT, DEFROST                 | 61350314 |           |           |           |           |           |           |           |           | 1         | 1         | 122  |
| 2   | ELECTRONIC CTRL.                    | 61921193 |           |           |           | 1         | 1         | 1         | 1         | 1         |           |           | 331  |
| *   | REMOTE CONTROL                      | 61826606 |           |           |           | 1         | 1         | 1         | 1         | 1         |           |           | 350  |
| 3   | RESISTOR                            | 61808000 | 1         | 1         | 1         |           |           |           |           |           | 1         | 1         | 200  |
| *   | OVERLOAD                            | 61764519 | 1         | 1         |           |           |           | 1         | 1         |           | 1         | 1         | 190  |
| *   | OVERLOAD                            | 61764544 |           |           | 1         |           |           |           |           | 1         |           |           | 190  |
| *   | OVERLOAD                            | 61764507 |           |           |           | 1         | 1         |           |           |           |           |           | 190  |
| 4   | CAPACITOR                           | 61080535 |           |           |           | 1         | 1         |           |           |           | 1         | 1         | 150  |
| 4   | CAPACITOR                           | 61080554 |           |           |           |           |           | 1         |           |           |           |           | 150  |
| 4   | CAPACITOR                           | 61080569 | 1         | 1         | 1         |           |           |           | 1         | 1         |           |           | 150  |
| 5   | SUPPLY CORD                         | 60500321 | 1         | 1         | 1         | 1         | 1         | 1         | 1         | 1         | 1         | 1         | 220  |
| 6   | SWITCH SYS. 6 POS.                  | 60607205 | 1         | 1         | 1         |           |           |           |           |           |           |           | 130  |
| 6   | SWITCH SYS. 8 POS.                  | 60607204 |           |           |           |           |           |           |           |           | 1         | 1         | 130  |
| 7   | SWITCH (YES - NO)                   | 61806105 | 1         | 1         | 1         |           |           |           |           |           | 1         | 1         | 132  |
| 8   | FAN MOTOR                           | 61871444 | 1         | 1         | 1         | 1         | 1         | 1         | 1         | 1         | 1         | 1         | 110  |
| *   | SOLENOID COIL                       | 25063505 |           |           |           |           |           |           |           |           |           | 1         | 240  |
| *   | <b>SOLENOID and REVERSING VALVE</b> | 25022022 |           |           |           |           |           |           |           |           | 1         |           | 500  |
|     | <b>REFRIGERATION PARTS</b>          |          |           |           |           |           |           |           |           |           |           |           |      |
| 9   | COMPRESSOR                          | 61716641 |           |           |           |           |           | 1         |           |           |           |           | 600  |
| 9   | COMPRESSOR                          | 61716671 | 1         | 1         |           |           |           |           | 1         |           |           |           | 600  |
| 9   | COMPRESSOR                          | 61716653 |           |           | 1         |           |           |           |           | 1         |           |           | 600  |
| 9   | COMPRESSOR                          | 61562832 |           |           |           | 1         | 1         |           |           |           |           |           | 600  |
| 9   | COMPRESSOR                          | 61716665 |           |           |           |           |           |           |           |           | 1         | 1         | 600  |
| 10  | EVAPORATOR COIL                     | 62050014 |           |           | 1         |           |           |           | 1         | 1         |           |           | 400  |
| 10  | EVAPORATOR COIL                     | 61850101 |           |           |           | 1         | 1         |           |           |           |           |           | 400  |
| 10  | EVAPORATOR COIL                     | 61850100 | 1         | 1         |           |           |           | 1         |           |           | 1         | 1         | 400  |
| 11  | CONDENSER COIL                      | 61850303 |           |           |           | 1         |           |           |           |           |           | 1         | 410  |
| 11  | CONDENSER COIL                      | 61850217 | 1         |           |           |           |           |           |           |           |           |           | 410  |
| 11  | CONDENSER COIL                      | 61850302 |           |           |           |           |           | 1         |           |           | 1         |           | 410  |
| 11  | CONDENSER COIL                      | 62050317 |           | 1         |           |           | 1         |           | 1         |           |           |           | 410  |
| 11  | CONDENSER COIL                      | 62050302 |           |           | 1         |           |           |           |           | 1         |           |           | 410  |
| *   | DRIER, LIQUID                       | 60308101 | 1         | 1         | 1         | 1         | 1         | 1         | 1         | 1         |           |           | 480  |
| *   | DRIER, SUCTION                      | 61828200 | 1         | 1         |           |           |           |           |           |           | 1         | 1         | 480  |
| *   | CHECK VALVE                         | 61824400 |           |           |           |           |           |           |           |           | 1         | 1         | 510  |
| *   | REVERSING VALVE                     | 25018305 |           |           |           |           |           |           |           |           |           | 1         | 500  |
| *   | REVERSING VALVE & SOLENOID          | 25022022 |           |           |           |           |           |           |           |           | 1         |           | 500  |
| *   | CAPILLARY TUBE                      | 03760518 |           |           |           |           | 1         |           |           |           |           |           | 471  |
| *   | CAPILLARY TUBE                      | 03760520 |           |           |           |           |           | 1         |           |           |           |           | 471  |
| *   | CAPILLARY TUBE                      | 03760473 | 1         | 1         |           |           |           |           | 1         |           |           |           | 471  |
| *   | CAPILLARY TUBE                      | 03760548 |           |           |           | 1         |           |           |           |           |           |           | 471  |
| *   | CAPILLARY TUBE                      | 03760501 |           |           | 1         |           |           |           |           | 1         |           |           | 471  |
| *   | CAPILLARY TUBE                      | 03760452 |           |           |           |           |           |           |           |           | 1         | 1         | 471  |
| *   | CAPILLARY TUBE                      | 03760556 |           |           |           |           |           |           |           |           | 1         | 1         | 471  |

\* PARTS NOT SHOWN

## SMALL CHASSIS "S" SERIES - 115V

| REF                  | DESCRIPTION              | PART NO. | KS        |           |           | SS        |           |           |           |           | YS        |           | CODE |
|----------------------|--------------------------|----------|-----------|-----------|-----------|-----------|-----------|-----------|-----------|-----------|-----------|-----------|------|
|                      |                          |          | KS12L10-C | KS12L10-D | KS15L10-B | SS08L10-C | SS08L10-D | SS10L10-C | SS12L10-D | SS14L10-C | YS09L10-D | YS09L10-E |      |
| <b>CHASSIS PARTS</b> |                          |          |           |           |           |           |           |           |           |           |           |           |      |
| 12                   | SHROUD, SML W/SUMP LOOP  | 61803601 | 1         | 1         | 1         | 1         | 1         | 1         | 1         | 1         | 1         | 1         | 720  |
| 13                   | FAN BLADE, CONDENSER     | 60542003 | 1         | 1         | 1         | 1         | 1         | 1         | 1         | 1         | 1         | 1         | 710  |
| 14                   | BLOWER WHEEL, EVAPORATOR | 60610603 | 1         | 1         | 1         |           |           |           | 1         |           | 1         | 1         | 700  |
| 14                   | BLOWER WHEEL, EVAPORATOR | 60610604 |           |           |           | 1         | 1         | 1         |           | 1         |           |           | 700  |
| 15                   | BRACE, COND. SHROUD      | 61802600 | 3         | 3         | 3         | 3         | 3         | 3         | 3         | 3         | 3         | 3         | 722  |
| 16                   | SCROLL                   | 61814905 | 1         | 1         | 1         | 1         | 1         | 1         | 1         | 1         | 1         | 1         | 743  |
| 17                   | BLOWER FRONT             | 61817300 | 1         | 1         | 1         | 1         | 1         | 1         | 1         | 1         | 1         | 1         | 742  |
| *                    | INSULATION, INNER WALL   | 61816900 | 1         | 1         | 1         | 1         | 1         | 1         | 1         | 1         | 1         | 1         | 781  |
| 18                   | INNER WALL               | 61907300 | 1         | 1         | 1         | 1         | 1         | 1         | 1         | 1         | 1         | 1         | 777  |
| 19                   | COVER, TOP               | 61906700 | 1         | 1         | 1         | 1         | 1         | 1         | 1         | 1         | 1         | 1         | 746  |
| 20                   | INSULATION, TOP COVER    | 61816701 | 1         | 1         | 1         | 1         | 1         | 1         | 1         | 1         | 1         | 1         | 781  |
| 21                   | DECK                     | 61817100 | 1         | 1         | 1         | 1         | 1         | 1         | 1         | 1         | 1         | 1         | 745  |
| 22                   | AIR FOIL                 | 61820200 | 1         | 1         | 1         | 1         | 1         | 1         | 1         | 1         | 1         | 1         | 744  |
| 23                   | MOUNT, FAN MOTOR         | 61802500 | 1         | 1         | 1         | 1         | 1         | 1         | 1         | 1         | 1         | 1         | 900  |
| 27                   | BASE PAN                 | 61803439 |           |           |           | 1         | 1         |           |           |           |           |           | 730  |
| 27                   | BASE PAN                 | 61803441 | 1         | 1         | 1         |           |           | 1         | 1         | 1         |           |           | 730  |
| 27                   | BASE PAN                 | 61809013 |           |           |           |           |           |           |           |           | 1         | 1         | 730  |
| *                    | DRAIN PAN                | 61803800 | 1         | 1         | 1         | 1         | 1         | 1         | 1         | 1         | 1         | 1         | 840  |
| *                    | BELLOWS, DRAIN VALVE     | 60179903 |           |           |           |           |           |           |           |           | 1         | 1         | 801  |
| *                    | GRILLE, REAR             | 61818500 | 1         | 1         | 1         | 1         | 1         | 1         | 1         | 1         | 1         | 1         | 771  |
| 28                   | DOOR, SLIDE ASSLY.       | 61821500 | 1         | 1         | 1         | 1         | 1         | 1         | 1         | 1         | 1         | 1         | 810  |
| *                    | CONNECTOR, SLIDE DOOR    | 61814800 | 1         | 1         | 1         | 1         | 1         | 1         | 1         | 1         | 1         | 1         | 811  |
| 29                   | PANEL, CTRL. MT.         | 61807250 | 1         | 1         | 1         |           |           |           |           |           | 1         | 1         | 999  |
| 29                   | PANEL, CTRL. MT.         | 61807251 |           |           |           | 1         | 1         | 1         | 1         | 1         |           |           | 999  |
| 30                   | BRACKET, CAP. MT         | 61820400 | 1         | 1         | 1         | 1         | 1         | 1         | 1         | 1         | 1         | 1         | 999  |
| *                    | PANEL, L/S               | 61937200 | 1         | 1         | 1         | 1         | 1         | 1         | 1         | 1         | 1         | 1         | 999  |
| 31                   | PARTITION, CTRL. BOX     | 61802800 | 1         | 1         | 1         | 1         | 1         | 1         | 1         | 1         | 1         | 1         | 999  |
| 32                   | DECORATIVE PANEL         | 61822658 | 1         | 1         | 1         |           |           |           |           |           |           |           | 999  |
| 32                   | DECORATIVE PANEL         | 61823350 |           |           |           |           |           |           |           |           | 1         | 1         | 999  |
| 33                   | KNOBS, CTRL.             | 61493906 | 2         | 2         | 2         |           |           |           |           |           | 2         | 2         | 761  |
| *                    | HOLDER, THERMISTER       | 61925001 |           |           |           | 1         | 1         | 1         | 1         | 1         |           |           | 764  |
| *                    | HOLDER, AIR FILTER       | 60865900 | 2         | 2         | 2         | 2         | 2         | 2         | 2         | 2         | 2         | 2         | 756  |
| *                    | FILTER, AIR              | 60865808 | 1         | 1         | 1         | 1         | 1         | 1         | 1         | 1         | 1         | 1         | 754  |
| *                    | CLAMP, SUPPLY CORD       | 91500305 | 2         | 2         | 2         | 2         | 2         | 2         | 2         | 2         | 2         | 2         | 999  |
| *                    | BRACKET, RESISTO BLOCK   | 61820600 | 1         | 1         | 1         |           |           |           |           |           | 1         | 1         | 999  |
| 34                   | GROMMET, COMPRESSOR      | 61028900 | 3         | 3         | 3         | 3         | 3         | 3         | 3         | 3         | 3         | 3         | 790  |
| 35                   | SCREW, COMPRESSOR MT.    | 91400400 | 3         | 3         | 3         | 3         | 3         | 3         | 3         | 3         | 3         | 3         | 999  |
| *                    | COUNTER WEIGHT           | 61715800 | 3         | 3         | 3         | 3         | 3         | 3         | 3         | 3         | 3         | 3         | 999  |
| 36                   | PLENUM ASSLY.            | 61810206 | 1         | 1         | 1         | 1         | 1         | 1         | 1         | 1         | 1         | 1         | 753  |

\* PARTS NOT SHOWN

## SMALL CHASSIS "S" SERIES - 115V

|                             | DESCRIPTION            | PART NO.        | KS        |           |           | SS        |           |           |           |           | YS        |           | CODE |
|-----------------------------|------------------------|-----------------|-----------|-----------|-----------|-----------|-----------|-----------|-----------|-----------|-----------|-----------|------|
|                             |                        |                 | KS12L10-C | KS12L10-D | KS15L10-B | SS08L10-C | SS08L10-D | SS10L10-C | SS12L10-D | SS14L10-C | YS09L10-D | YS09L10-E |      |
|                             | <b>CHASSIS PARTS</b>   |                 |           |           |           |           |           |           |           |           |           |           |      |
| *                           | LEVER, FRESH & EXHAUST | <b>61809205</b> | 1         | 1         | 1         | 1         | 1         | 1         | 1         | 1         | 1         | 1         | 813  |
| *                           | KNOB, FRESH & EXHAUST  | <b>61809305</b> | 1         | 1         | 1         | 1         | 1         | 1         | 1         | 1         | 1         | 1         | 814  |
| 37                          | INTAKE GRILLE          | <b>61808906</b> | 1         | 1         | 1         | 1         | 1         | 1         | 1         | 1         | 1         | 1         | 772  |
| *                           | LATCH, INTAKE GRILLE   | <b>61989000</b> | 2         | 2         | 2         | 2         | 2         | 2         | 2         | 2         | 2         | 2         | 752  |
| 38                          | OUTER SHELL ASSLY      | <b>61825705</b> | 1         | 1         | 1         | 1         | 1         | 1         | 1         | 1         | 1         | 1         | 770  |
| 39                          | SILL PLATE             | <b>61808413</b> | 1         | 1         | 1         | 1         | 1         | 1         | 1         | 1         | 1         | 1         | 999  |
| *                           | CHASSIS GUIDE, SHELL   | <b>61819601</b> | 2         | 2         | 2         | 2         | 2         | 2         | 2         | 2         | 2         | 2         | 999  |
| *                           | FRIEDRICH SCRIPT       | <b>60169110</b> | 1         | 1         | 1         | 1         | 1         | 1         | 1         | 1         | 1         | 1         | 999  |
| *                           | PUSHNUTS, SCRIPT       | <b>91002900</b> | 2         | 2         | 2         | 2         | 2         | 2         | 2         | 2         | 2         | 2         | 999  |
| 40                          | WINGBOARD              | <b>60294415</b> | 1         | 1         | 1         | 1         | 1         | 1         | 1         | 1         |           |           | 999  |
| 41                          | BRACKET, SUPPORT       | <b>61109513</b> | 2         | 2         | 2         | 2         | 2         | 2         | 2         | 2         |           |           | 999  |
| 42                          | ANGLE, WINGBOARD       | <b>61819811</b> | 2         | 2         | 2         | 2         | 2         | 2         | 2         | 2         |           |           | 999  |
| 43                          | ANGLE, TOP             | <b>61819711</b> | 1         | 1         | 1         | 1         | 1         | 1         | 1         | 1         |           |           | 999  |
| 44                          | GASKET, VINYL.         | <b>60610304</b> | 1         | 1         | 1         | 1         | 1         | 1         | 1         | 1         |           |           | 780  |
| *                           | HARDWARE BAG(SCREWS)   | <b>60846016</b> | 1         | 1         | 1         | 1         | 1         | 1         | 1         | 1         |           |           | 999  |
| 45                          | GASKET, CHASSIS.       | <b>61717301</b> | 1         | 1         | 1         | 1         | 1         | 1         | 1         | 1         | 1         | 1         | 780  |
| 45                          | GASKET, WINDOW.        | <b>60610304</b> | 1         | 1         | 1         | 1         | 1         | 1         | 1         | 1         |           |           | 780  |
| *                           | CARTON, SHIPPING       | <b>61839801</b> | 1         | 1         | 1         | 1         | 1         | 1         | 1         | 1         | 1         | 1         | 999  |
| <b>OPTIONAL ACCESSORIES</b> |                        |                 |           |           |           |           |           |           |           |           |           |           |      |
| *                           | WINDOW KIT             | <b>WIKS</b>     |           |           |           |           |           |           |           |           |           | 1         | 1    |
| *                           | DRAIN KIT, DC-2        | <b>01900235</b> | 1         | 1         | 1         | 1         | 1         | 1         | 1         | 1         | 1         | 1         | 999  |
| *                           | START KIT, CAP.RELAY   | <b>61008903</b> | 1         | 1         | 1         | 1         | 1         | 1         | 1         | 1         | 1         | 1         | 160  |
| *                           | ANTI-ICE KIT           | <b>61680600</b> | 1         | 1         | 1         | 1         | 1         | 1         | 1         | 1         | 1         | 1         | 250  |

\* PARTS NOT SHOWN

## SMALL CHASSIS "S" SERIES - 230V

| REF                        | DESCRIPTION                         | PART NO. | ES        |           |           | SS        |           |           | YS        |           | CODE |
|----------------------------|-------------------------------------|----------|-----------|-----------|-----------|-----------|-----------|-----------|-----------|-----------|------|
|                            |                                     |          | ES12L33-B | ES12L33-C | ES16L33-B | SS12L30-C | SS12L30-D | SS16L30-C | YS13L33-B | YS13L33-C |      |
| <b>ELECTRICAL PARTS</b>    |                                     |          |           |           |           |           |           |           |           |           |      |
| 1                          | THERMOSTAT                          | 61828400 | 1         | 1         | 1         |           |           |           | 1         | 1         | 120  |
| *                          | RESISTOR                            | 61808001 | 1         | 1         | 1         |           |           |           | 1         | 1         | 200  |
| *                          | THERMOSTAT, DEFROST                 | 61350314 |           |           |           |           |           |           | 1         | 1         | 122  |
| *                          | REMOTE CONTROL                      | 61826606 |           |           |           | 1         | 1         | 1         |           |           | 399  |
| 2                          | ELECTRONIC CTR.                     | 61921194 |           |           |           | 1         | 1         | 1         |           |           | 331  |
| *                          | OVERLOAD                            | 61764521 |           |           |           | 1         |           |           | 1         | 1         | 190  |
| *                          | OVERLOAD                            | 61764556 |           |           | 1         |           |           | 1         |           |           | 190  |
| *                          | OVERLOAD                            | 61764540 | 1         | 1         |           | 1         | 1         |           |           |           | 190  |
| 4                          | CAPACITOR                           | 61080534 |           |           | 1         |           |           | 1         |           |           | 150  |
| 4                          | CAPACITOR                           | 61080536 | 1         | 1         |           | 1         | 1         |           | 1         | 1         | 150  |
| 5                          | SUPPLY CORD                         | 60500323 | 1         | 1         | 1         |           |           |           | 1         | 1         | 220  |
| 5                          | SUPPLY CORD                         | 60500322 |           |           |           | 1         | 1         | 1         |           |           | 220  |
| 6                          | SWITCH, SYS. 8 POS.                 | 60607204 | 1         | 1         | 1         |           |           |           | 1         | 1         | 130  |
| 7                          | SWITCH (YES - NO)                   | 61806105 | 1         | 1         | 1         |           |           |           | 1         | 1         | 132  |
| 8                          | FAN MOTOR                           | 61871441 | 1         | 1         | 1         | 1         | 1         | 1         | 1         | 1         | 110  |
| *                          | SOLENOID                            | 25063605 |           |           |           |           |           |           |           | 1         | 240  |
| *                          | <b>SOLENOID and REVERSING VALVE</b> | 25022022 |           |           |           |           |           |           | 1         |           | 240  |
| 8A                         | HEATER                              | 61878610 | 1         | 1         | 1         |           |           |           | 1         | 1         | 210  |
| *                          | FUSE LINK                           | 61596301 | 1         | 1         | 1         |           |           |           | 1         | 1         | 192  |
| *                          | LIMITER, HEATER                     | 61827902 | 1         | 1         | 1         |           |           |           | 1         | 1         | 193  |
| REF                        | DESCRIPTION                         | PART NO. | ES        |           |           | SS        |           |           | YS        |           | CODE |
| <b>REFRIGERATION PARTS</b> |                                     |          |           |           |           |           |           |           |           |           |      |
|                            |                                     |          | ES12L33-B | ES12L33-C | ES16L33-B | SS12L30-C | SS12L30-D | SS16L30-C | YS13L33-B | YS13L33-C |      |
| 9                          | COMPRESSOR                          | 61716628 |           |           |           |           |           |           | 1         | 1         | 600  |
| 9                          | COMPRESSOR                          | 61716645 | 1         | 1         |           | 1         | 1         |           |           |           | 600  |
| 9                          | COMPRESSOR                          | 62199704 |           |           | 1         |           |           | 1         |           |           | 600  |
| 10                         | EVAPORATOR COIL                     | 61850100 | 1         | 1         |           | 1         | 1         |           | 1         | 1         | 400  |
| 10                         | EVAPORATOR COIL                     | 61850101 |           |           |           |           |           |           |           |           | 400  |
| 10                         | EVAPORATOR COIL                     | 62050014 |           |           | 1         |           |           | 1         |           |           | 400  |
| 11                         | CONDENSER COIL                      | 61850302 | 1         |           | 1         | 1         |           | 1         |           |           | 410  |
| 11                         | CONDENSER COIL                      | 61850306 |           |           |           |           |           |           | 1         |           | 410  |
| 11                         | CONDENSER COIL                      | 62050303 |           | 1         |           |           | 1         |           |           |           | 410  |
| 11                         | CONDENSER COIL                      | 62050310 |           |           |           |           |           |           |           | 1         | 410  |
| *                          | DRIER, LIQUID                       | 60308101 | 1         | 1         | 1         | 1         | 1         | 1         | 1         | 1         | 480  |
| *                          | DRIER, SUCTION                      | 61828200 |           |           |           |           |           |           | 1         | 1         | 480  |
| *                          | CHECK VALVE                         | 61824400 |           |           |           |           |           |           | 1         | 1         | 510  |
| *                          | REVERSING VALVE                     | 25018305 |           |           |           |           |           |           |           | 1         | 500  |
| *                          | <b>REVERSING VALVE and SOLENOID</b> | 25022022 |           |           |           |           |           |           | 1         |           | 500  |
| *                          | CAPILLARY TUBE                      | 03760543 |           |           |           |           |           |           | 1         | 1         | 471  |
| *                          | CAPILLARY TUBE                      | 03760545 |           |           |           |           |           |           | 1         | 1         | 471  |
| *                          | CAPILLARY TUBE                      | 03760473 | 1         | 1         |           | 1         | 1         |           |           |           | 471  |
| *                          | CAPILLARY TUBE                      | 01390005 |           |           | 1         |           |           | 1         |           |           | 471  |

\* PARTS NOT SHOWN

## SMALL CHASSIS "S" SERIES - 230V

| REF                  | DESCRIPTION               | PART NO. | ES        |           |           | SS        |           |           | YS        |           | CODE |
|----------------------|---------------------------|----------|-----------|-----------|-----------|-----------|-----------|-----------|-----------|-----------|------|
|                      |                           |          | ES12L33-B | ES12L33-C | ES16L33-B | SS12L30-C | SS12L30-D | SS16L30-C | YS13L33-B | YS13L33-C |      |
| <b>CHASSIS PARTS</b> |                           |          |           |           |           |           |           |           |           |           |      |
| 12                   | SHROUD, CONDENSER         | 61803601 | 1         | 1         | 1         | 1         | 1         | 1         | 1         | 1         | 720  |
| 13                   | FAN BLADE                 | 60542003 | 1         | 1         | 1         | 1         | 1         | 1         | 1         | 1         | 710  |
| 14                   | BLOWER WHEEL              | 60610603 |           |           |           |           |           |           | 1         | 1         | 700  |
| 14                   | BLOWER WHEEL              | 60610616 | 1         | 1         | 1         | 1         | 1         | 1         |           |           | 700  |
| 15                   | BRACE, COND. SHROUD       | 61802600 | 3         | 3         | 3         | 3         | 3         | 3         | 3         | 3         | 722  |
| 16                   | SCROLL                    | 61814905 | 1         | 1         | 1         | 1         | 1         | 1         | 1         | 1         | 743  |
| 17                   | BLOWER FRONT              | 61817300 | 1         | 1         | 1         | 1         | 1         | 1         | 1         | 1         | 742  |
| 19                   | COVER, TOP                | 61906700 | 1         | 1         | 1         | 1         | 1         | 1         | 1         | 1         | 746  |
| 21                   | DECK                      | 61817100 | 1         | 1         | 1         | 1         | 1         | 1         | 1         | 1         | 745  |
| 23                   | MOUNT, FAN MOTOR          | 61802500 | 1         | 1         | 1         | 1         | 1         | 1         | 1         | 1         | 900  |
| 25                   | BRACKET, HEATER MT.       | 61818900 | 1         | 1         | 1         |           |           |           | 1         | 1         | 999  |
| 27                   | BASE PAN                  | 61809015 | 1         | 1         | 1         |           |           |           |           |           | 730  |
| 27                   | BASE PAN                  | 61803441 |           |           |           | 1         | 1         | 1         |           |           | 730  |
| 27                   | BASE PAN                  | 61809013 |           |           |           |           |           |           | 1         | 1         | 730  |
| *                    | DRAIN PAN                 | 61803800 | 1         | 1         | 1         | 1         | 1         | 1         | 1         | 1         | 840  |
| *                    | BELLOWS, DRAIN VALVE      | 60179903 | 1         | 1         | 1         |           |           |           | 1         | 1         | 801  |
| *                    | GRILLE, REAR              | 61818500 | 1         | 1         | 1         | 1         | 1         | 1         | 1         | 1         | 771  |
| 28                   | DOOR, SLIDE ASSLY.        | 61821500 | 1         | 1         | 1         | 1         | 1         | 1         | 1         | 1         | 810  |
| *                    | CONNECTOR, SLIDE DOOR     | 61814800 | 1         | 1         | 1         | 1         | 1         | 1         | 1         | 1         | 811  |
| 29                   | PANEL, CTRL. MT.          | 61807251 |           |           |           | 1         | 1         | 1         |           |           | 999  |
| 29                   | PANEL, CTRL. MT.          | 61807250 | 1         | 1         | 1         |           |           |           | 1         | 1         | 999  |
| 30                   | BRACKET, CAP. MT          | 61820400 | 1         | 1         | 1         | 1         | 1         | 1         | 1         | 1         | 999  |
| *                    | PANEL, LIS                | 61937200 | 1         | 1         | 1         | 1         | 1         | 1         | 1         | 1         | 999  |
| 31                   | PARTITION, CTRL. BOX      | 61802800 |           |           |           | 1         | 1         | 1         |           |           | 999  |
| 31                   | PARTITION, CTRL. BOX      | 61802801 | 1         | 1         | 1         |           |           |           | 1         | 1         | 999  |
| 32                   | DECORATIVE PANEL          | 61823360 | 1         | 1         | 1         |           |           |           | 1         | 1         | 999  |
| 33                   | KNOBS, CTRL.              | 61493915 | 2         | 2         | 2         |           |           |           | 2         | 2         | 761  |
| *                    | HOLDER, THERMISTER        | 61925001 |           |           |           | 1         | 1         | 1         |           |           | 764  |
| *                    | HOLDER, AIR FILTER        | 60865900 | 2         | 2         | 2         | 2         | 2         | 2         | 2         | 2         | 756  |
| *                    | FILTER, AIR               | 60865808 | 1         | 1         | 1         | 1         | 1         | 1         | 1         | 1         | 754  |
| *                    | CLAMP, SUPPLY CORD        | 91500306 | 2         | 2         | 2         | 2         | 2         | 2         | 2         | 2         | 999  |
| *                    | BRACKET, RESISTO BLOCK    | 61820600 | 1         | 1         | 1         |           |           |           | 1         | 1         | 999  |
| 34                   | GROMMET, COMPRESSOR       | 61028900 | 3         | 3         | 3         | 3         | 3         | 3         | 3         | 3         | 790  |
| 35                   | SCREW, COMPRESSOR MT.     | 91400400 | 3         | 3         | 3         | 3         | 3         | 3         | 3         | 3         | 999  |
| 36                   | PLENUM ASSLY.             | 61810206 | 1         | 1         | 1         | 1         | 1         | 1         | 1         | 1         | 753  |
| *                    | KNOB, FRESH AIR & EXHAUST | 61809305 | 1         | 1         | 1         | 1         | 1         | 1         | 1         | 1         | 761  |

\* PARTS NOT SHOWN

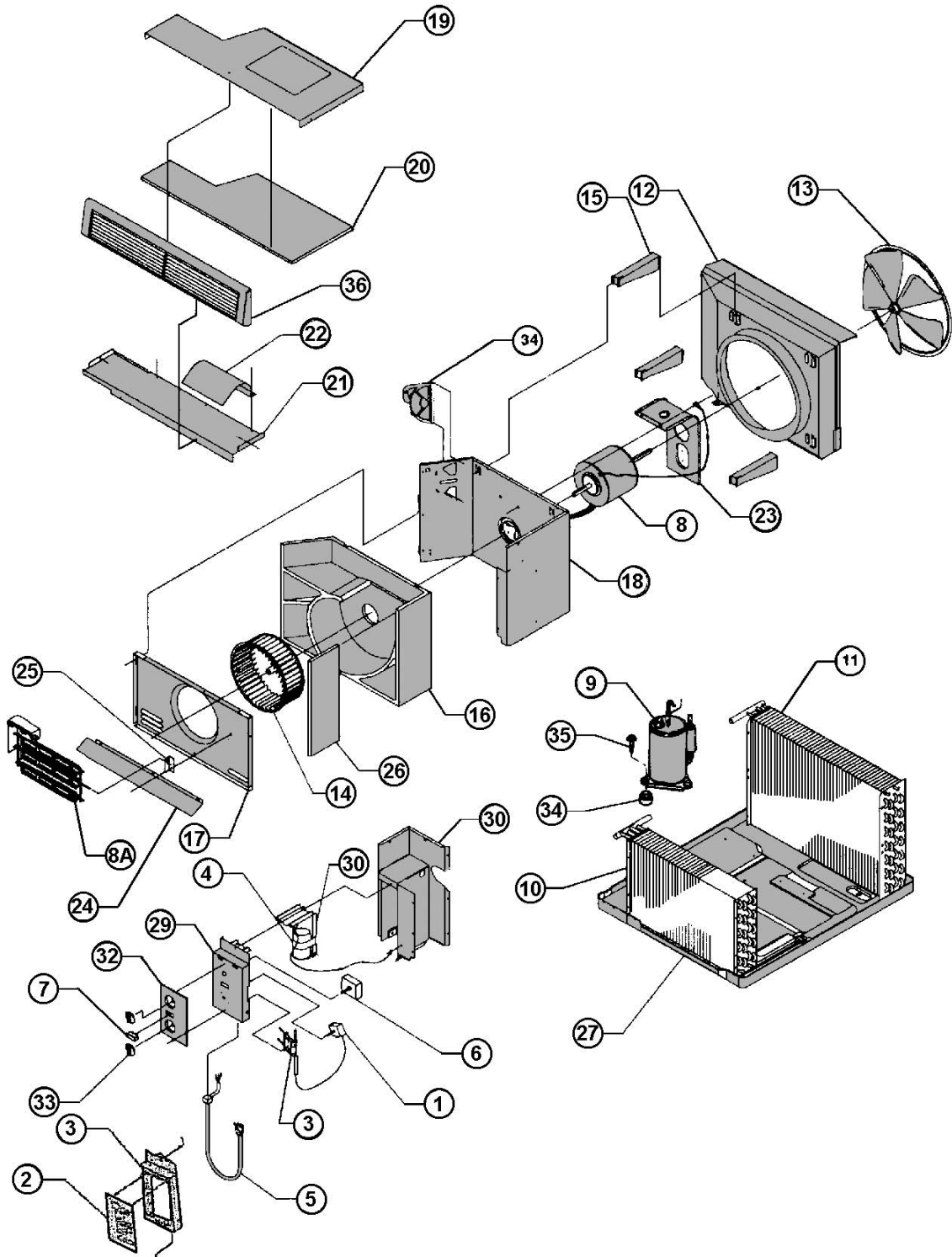
## SMALL CHASSIS "S" SERIES - 230V

| REF                             | DESCRIPTION          | PART NO. | ES        |           |           | SS        |           |           | YS        |           | CODE |
|---------------------------------|----------------------|----------|-----------|-----------|-----------|-----------|-----------|-----------|-----------|-----------|------|
|                                 |                      |          | ES12L33-B | ES12L33-C | ES16L33-B | SS12L30-C | SS12L30-D | SS16L30-C | YS13L33-B | YS13L33-C |      |
|                                 | <b>CHASSIS PARTS</b> |          |           |           |           |           |           |           |           |           |      |
| 37                              | INTAKE GRILLE        | 61808906 | 1         | 1         | 1         | 1         | 1         | 1         | 1         | 1         | 772  |
| *                               | LATCH, INTAKE GRILLE | 61989000 | 2         | 2         | 2         | 2         | 2         | 2         | 2         | 2         | 752  |
| 38                              | OUTER SHELL ASSLY    | 61825705 | 1         | 1         | 1         | 1         | 1         | 1         | 1         | 1         | 770  |
| 39                              | SILL PLATE           | 61808413 | 1         | 1         | 1         | 1         | 1         | 1         | 1         | 1         |      |
| *                               | CHASSIS GUIDE, SHELL | 61819601 | 2         | 2         | 2         | 2         | 2         | 2         | 2         | 2         |      |
| *                               | FRIEDRICH SCRIPT     | 60169110 | 1         | 1         | 1         | 1         | 1         | 1         | 1         | 1         |      |
| *                               | PUSHNUTS, SCRIPT     | 91002900 | 2         | 2         | 2         | 2         | 2         | 2         | 2         | 2         |      |
| 40                              | WINGBOARD            | 60294415 |           |           |           | 1         | 1         | 1         |           |           |      |
| 41                              | BRACKET, SUPPORT     | 61109513 |           |           |           | 2         | 2         | 2         |           |           |      |
| 42                              | ANGLE, WINGBOARD     | 61819811 |           |           |           | 2         | 2         | 2         |           |           |      |
| 43                              | ANGLE, TOP           | 61819711 |           |           |           | 1         | 1         | 1         |           |           |      |
| 44                              | GASKET, VINYL        | 60610304 |           |           |           | 1         | 1         | 1         |           |           |      |
| *                               | HARDWARE BAG(SCREWS) | 60846017 | 1         | 1         | 1         |           |           |           | 1         | 1         |      |
| *                               | HARDWARE BAG(SCREWS) | 60846016 |           |           |           | 1         | 1         | 1         |           |           |      |
| 45                              | GASKET, CHASSIS      | 61717301 | 1         | 1         | 1         | 1         | 1         | 1         | 1         | 1         |      |
| 45                              | GASKET, WINDOW       | 60610304 |           |           |           | 1         | 1         | 1         |           |           |      |
| *                               | CARTON, SHIPPING     | 61841908 | 1         | 1         | 1         | 1         | 1         | 1         | 1         | 1         |      |
| <b>OPTIONAL ACCESSORY ITEMS</b> |                      |          |           |           |           |           |           |           |           |           |      |
| *                               | DRAIN KIT, DC-2      | 01900235 | 1         | 1         | 1         | 1         | 1         | 1         | 1         | 1         | 999  |
| *                               | START KIT, CAP.RELAY | 61008903 | 1         | 1         | 1         | 1         | 1         | 1         | 1         | 1         | 160  |

\* PARTS NOT SHOWN

# MEDIUM CHASSIS "M" SERIES

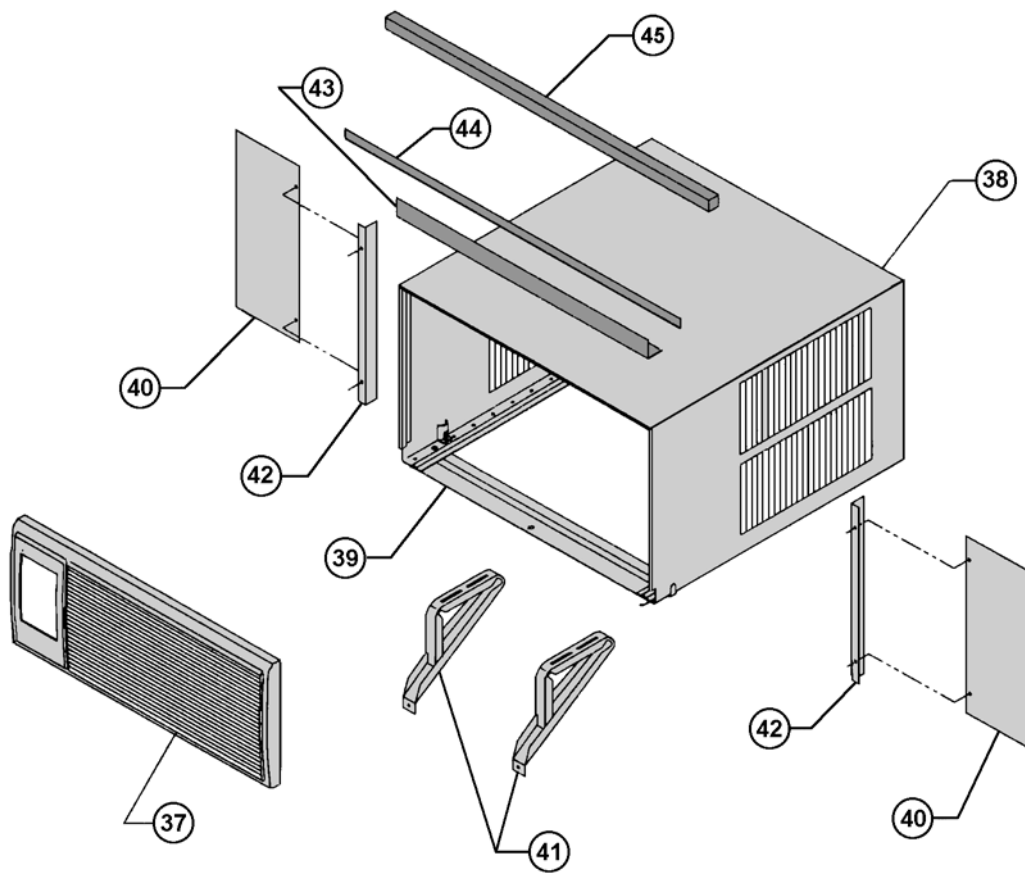
## CHASSIS PARTS (EM, KM, SM, & YM)





## MEDIUM CHASSIS "M" SERIES

### CABINET & MOUNTING PARTS (EK, EM, KM, SM, YM)



## MEDIUM CHASSIS "M" SERIES

| REF                        | DESCRIPTION                         | PART NO. | EM        |           | KM        |           | SM         |            |           |           | YM        |           | CODE |
|----------------------------|-------------------------------------|----------|-----------|-----------|-----------|-----------|------------|------------|-----------|-----------|-----------|-----------|------|
|                            |                                     |          | EM18L34-B | EM24L35-B | KM18L30-B | KM24L30-B | SM18L30A-B | SM18L30A-C | SM21L30-C | SM21L30-D | SM24L30-B | YM18L34-B |      |
| <b>ELECTRICAL PARTS</b>    |                                     |          |           |           |           |           |            |            |           |           |           |           |      |
| 1                          | THERMOSTAT                          | 61828500 |           |           | 1         | 1         |            |            |           |           |           |           | 120  |
| 1                          | THERMOSTAT                          | 61828400 | 1         | 1         |           |           |            |            |           |           |           |           | 120  |
| *                          | RESISTOR                            | 61808001 | 1         | 1         | 1         | 1         |            |            |           |           |           |           | 200  |
| *                          | THERMOSTAT, DEF.                    | 61350314 |           |           |           |           |            |            |           |           |           |           | 122  |
| 2                          | ELECTRONIC BOARD                    | 61921194 |           |           |           |           | 1          | 1          | 1         | 1         | 1         |           | 331  |
| *                          | REMOTE CONTROL                      | 61826606 |           |           |           |           | 1          | 1          | 1         | 1         | 1         |           | 350  |
| *                          | OVERLOAD                            | 61764522 |           |           |           |           |            |            |           |           |           | 1         | 190  |
| *                          | OVERLOAD                            | 61764556 |           |           |           |           | 1          | 1          |           |           |           |           | 190  |
| *                          | OVERLOAD                            | 61764557 | 1         |           | 1         |           |            |            |           |           |           |           | 190  |
| 4                          | CAPACITOR                           | 61080557 |           |           |           |           |            |            | 1         | 1         |           |           | 150  |
| 4                          | CAPACITOR                           | 61080529 |           | 1         |           | 1         |            |            |           |           | 1         | 1         | 150  |
| 4                          | CAPACITOR                           | 61080534 | 1         |           | 1         |           | 1          | 1          |           |           |           |           | 150  |
| 5                          | SUPPLY CORD                         | 60500340 | 1         |           |           |           |            |            |           |           |           | 1         | 220  |
| 5                          | SUPPLY CORD                         | 60500322 |           |           | 1         |           | 1          | 1          | 1         | 1         |           |           | 220  |
| 5                          | SUPPLY CORD                         | 60500323 |           |           |           | 1         |            |            |           |           | 1         |           | 220  |
| 5                          | SUPPLY CORD                         | 60500341 |           | 1         |           |           |            |            |           |           |           |           | 220  |
| 6                          | SWITCH SYS. 8 POS.                  | 60607204 | 1         | 1         |           |           |            |            |           |           |           | 1         | 130  |
| 6                          | SWITCH SYS. 6 POS.                  | 60607205 |           |           | 1         | 1         |            |            |           |           |           |           | 130  |
| 7                          | SWITCH (YES - NO)                   | 61806105 | 1         | 1         | 1         | 1         |            |            |           |           |           | 1         | 132  |
| 8                          | FAN MOTOR                           | 61871432 |           | 1         | 1         | 1         | 1          | 1          | 1         | 1         | 1         | 1         | 110  |
| *                          | SOLENOID COIL                       | 25063605 |           |           |           |           |            |            |           |           |           |           | 240  |
| *                          | <b>SOLENOID and REVERSING VALVE</b> | 25022032 |           |           |           |           |            |            |           |           |           | 1         | 240  |
| 8A                         | HEATER                              | 61878617 |           | 1         |           |           |            |            |           |           |           |           | 210  |
| 8A                         | HEATER                              | 61878611 | 1         |           |           |           |            |            |           |           |           | 1         | 210  |
| <b>REFRIGERATION PARTS</b> |                                     |          |           |           |           |           |            |            |           |           |           |           |      |
| 9                          | COMPRESSOR                          | 61716652 |           | 1         |           | 1         |            |            |           |           | 1         |           | 600  |
| 9                          | COMPRESSOR                          | 61716651 |           |           |           |           |            | 1          | 1         |           |           |           | 600  |
| 9                          | COMPRESSOR                          | 61716663 | 1         |           | 1         |           |            |            |           |           |           |           | 600  |
| 9                          | COMPRESSOR                          | 62199704 |           |           |           |           | 1          | 1          |           |           |           |           | 600  |
| 9                          | COMPRESSOR                          | 61716660 |           |           |           |           |            |            |           |           |           | 1         | 600  |
| 10                         | EVAPORATOR COIL                     | 61850011 | 1         |           | 1         |           |            |            |           |           |           |           | 400  |
| 10                         | EVAPORATOR COIL                     | 61850002 |           |           |           |           |            |            |           |           |           | 1         | 400  |
| 10                         | EVAPORATOR COIL                     | 62050016 |           |           |           |           |            | 1          |           |           |           |           | 400  |
| 10                         | EVAPORATOR COIL                     | 61850023 |           |           |           | 1         |            |            |           | 1         |           |           | 400  |
| 10                         | EVAPORATOR COIL                     | 62050017 |           | 1         |           | 1         |            | 1          |           | 1         |           | 1         | 400  |
| 11                         | CONDENSER COIL                      | 61850222 |           |           |           |           | 1          |            |           |           | 1         |           | 410  |
| 11                         | CONDENSER COIL                      | 62050215 |           | 1         |           | 1         |            |            |           |           |           |           | 410  |
| 11                         | CONDENSER COIL                      | 61850200 | 1         |           | 1         |           |            |            | 1         | 1         |           |           | 410  |
| 11                         | CONDENSER COIL                      | 61850205 |           |           |           |           |            |            |           |           |           | 1         | 410  |
| 11                         | CONDENSER COIL                      | 61850215 |           |           |           |           |            | 1          |           |           | 1         |           | 410  |
| *                          | DRIER, LIQUID                       | 60308101 | 1         | 1         | 1         | 1         | 1          | 1          | 1         | 1         | 1         | 1         | 480  |
| *                          | CHECK VALVE                         | 61822400 |           |           |           |           |            |            |           |           |           | 1         | 471  |
| *                          | REVERSING VALVE                     | 25018705 |           |           |           |           |            |            |           |           |           |           | 500  |
| *                          | REVERSING VALVE and SOLENOID        | 25022032 |           |           |           |           |            |            |           |           |           | 1         | 500  |
| *                          | CAPILLARY TUBE                      | 03760479 |           |           |           |           |            |            | 3         |           |           |           | 471  |
| *                          | CAPILLARY TUBE                      | 01389975 | 1         |           | 1         |           |            |            |           |           |           |           | 471  |
| *                          | CAPILLARY TUBE                      | 03760545 |           |           |           |           | 3          | 3          |           |           |           | 1         | 471  |
| *                          | CAPILLARY TUBE                      | 03760511 |           |           |           |           |            |            |           |           |           | 1         | 471  |
| *                          | CAPILLARY TUBE                      | 03760452 |           | 3         |           | 3         |            |            |           |           | 3         | 3         | 471  |

\* PARTS NOT SHOWN

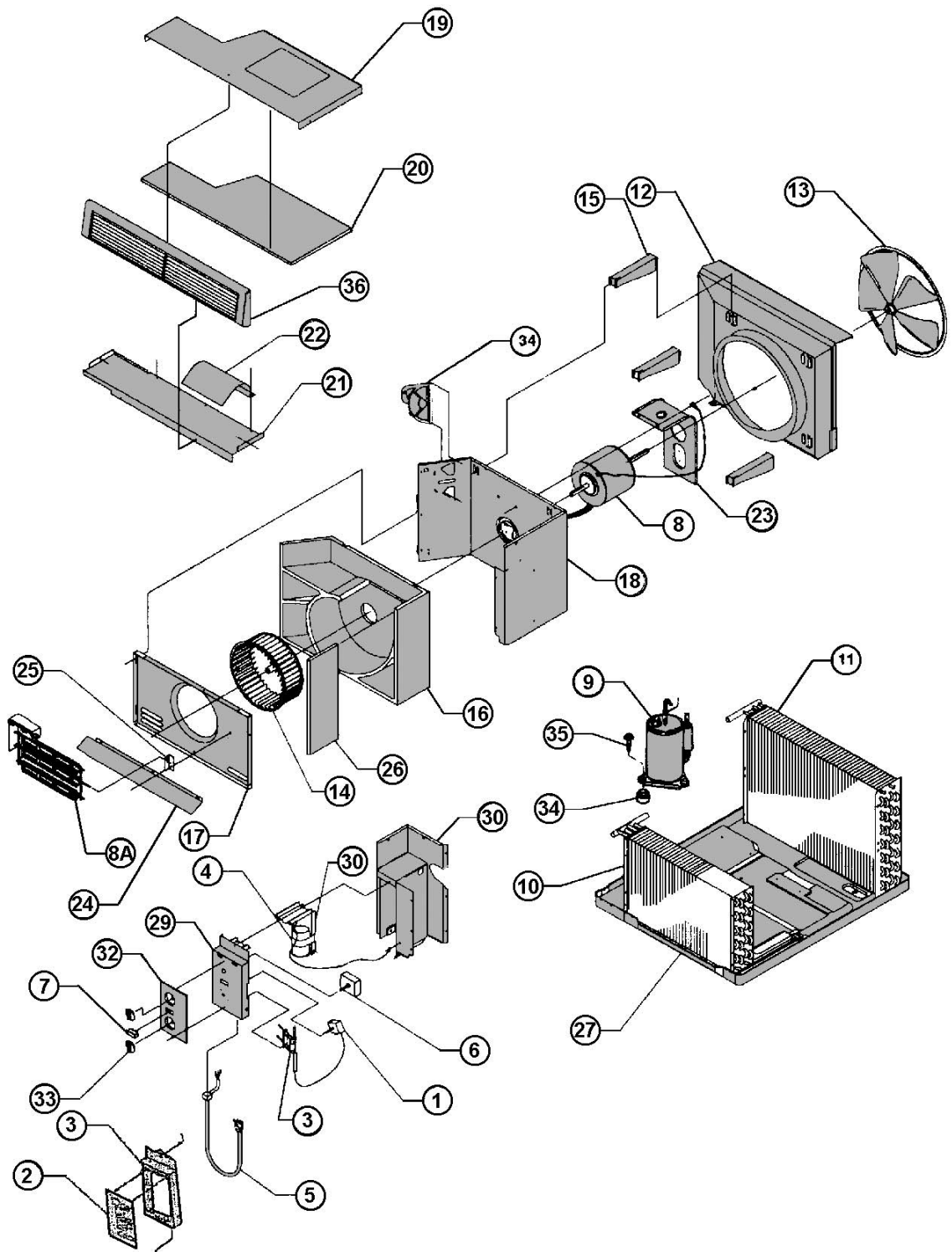
## MEDIUM CHASSIS "M" SERIES PARTS LIST

| REF                             | DESCRIPTION           | PART NO. | EM        |           | KM        |           | SM         |            |           |           |           | YM        |           | CODE |
|---------------------------------|-----------------------|----------|-----------|-----------|-----------|-----------|------------|------------|-----------|-----------|-----------|-----------|-----------|------|
|                                 |                       |          | EM18L34-B | EM24L35-B | KM18L30-B | KM24L30-B | SM18L30A-B | SM18L30A-C | SM21L30-C | SM21L30-D | SM24L30-B | YM18L34-B | YM18L34-C |      |
|                                 | <b>CHASSIS PARTS</b>  |          |           |           |           |           |            |            |           |           |           |           |           |      |
| 12                              | SHROUD, CONDENSER     | 61804901 | 1         | 1         | 1         | 1         | 1          | 1          | 1         | 1         | 1         | 1         | 1         | 720  |
| 13                              | FAN BLADE, COND.      | 60542004 | 1         | 1         | 1         | 1         | 1          | 1          | 1         | 1         | 1         | 1         | 1         | 710  |
| 14                              | BLOWER WHEEL, EVAP.   | 60610617 | 1         |           | 1         |           | 1          | 1          | 1         | 1         |           |           |           | 700  |
| 14                              | BLOWER WHEEL, EVAP.   | 60610618 |           | 1         |           | 1         |            |            |           |           |           | 1         | 1         | 700  |
| 15                              | BRACE, COND.SHROUD    | 61802600 | 3         | 3         | 3         | 3         | 3          | 3          | 3         | 3         | 3         | 3         | 3         | 722  |
| 16                              | SCROLL                | 61817505 | 1         | 1         | 1         | 1         | 1          | 1          | 1         | 1         | 1         | 1         | 1         | 743  |
| 17                              | BLOWER FRONT          | 61817400 | 1         | 1         | 1         | 1         | 1          | 1          | 1         | 1         | 1         | 1         | 1         | 742  |
| 23                              | MOUNT, FAN MOTOR      | 61804100 | 1         | 1         | 1         | 1         | 1          | 1          | 1         | 1         | 1         | 1         | 1         | 900  |
| 25                              | BRACKET, HTR          | 61818900 | 1         | 1         |           |           |            |            |           |           |           | 1         | 1         | 730  |
| 27                              | BASE PAN              | 61809015 | 1         | 1         |           |           |            |            |           |           |           | 1         | 1         | 730  |
| 27                              | BASE PAN              | 61803441 |           |           | 1         | 1         |            |            | 1         | 1         | 1         |           |           | 730  |
| 27                              | BASE PAN              | 61803411 |           |           |           |           | 1          | 1          |           |           |           |           |           | 730  |
| *                               | BELLOWS, DRAIN VALVE  | 60179903 | 1         | 1         |           |           |            |            |           |           |           | 1         | 1         | 801  |
| *                               | DRAIN PAN, EVAP.      | 61803800 | 1         | 1         | 1         | 1         | 1          | 1          | 1         | 1         | 1         | 1         | 1         | 840  |
| *                               | GRILLE, REAR          | 61818501 | 1         | 1         | 1         | 1         | 1          | 1          | 1         | 1         | 1         | 12        | 12        | 771  |
| 28                              | DOOR, SLIDE ASY       | 61821500 | 1         | 1         | 1         | 1         | 1          | 1          | 1         | 1         | 1         | 1         | 1         | 810  |
| *                               | CONNECTOR SLIDE ASY   | 61814800 | 1         | 1         | 1         | 1         | 1          | 1          | 1         | 1         | 1         | 1         | 1         | 811  |
| *                               | WIRE CLIP, SLIDE ASSY | 60301800 | 1         | 1         | 1         | 1         | 1          | 1          | 1         | 1         | 1         | 1         | 1         | 999  |
| 29                              | PANEL, CTRL. MOUNT    | 61811050 | 1         | 1         | 1         | 1         |            |            |           |           |           | 1         | 1         | 999  |
| 29                              | PANEL, CTRL. MOUNT    | 61811051 |           |           |           |           | 1          | 1          | 1         | 1         | 1         |           |           | 999  |
| 32                              | DECORATIVE PANEL      | 61823360 | 1         | 1         |           |           |            |            |           |           |           | 1         | 1         | 999  |
| 32                              | DECORATIVE PANEL      | 61822658 |           |           | 1         | 1         |            |            |           |           |           |           |           | 999  |
| 33                              | KNOBS, CRTL.          | 61493915 | 2         | 2         | 2         | 2         |            |            |           |           |           | 2         | 2         | 761  |
| *                               | BRACKET,RESISTOR BLK  | 61820600 | 1         | 1         | 1         | 1         |            |            |           |           |           | 1         | 1         | 999  |
| *                               | HOLDER, THERMISTOR    | 61925001 |           |           |           |           | 1          | 1          | 1         | 1         | 1         |           |           | 764  |
| *                               | HOLDER, AIR FILTER    | 61823000 | 2         | 2         | 2         | 2         | 2          | 2          | 2         | 2         | 2         | 2         | 2         | 756  |
| *                               | FILTER, AIR           | 60865809 | 1         | 1         | 1         | 1         | 1          | 1          | 1         | 1         | 1         | 1         | 1         | 754  |
| *                               | CLAMP, SUPPLY CORD    | 91500308 | 2         | 2         |           |           |            |            |           |           |           | 2         | 2         | 999  |
| *                               | CLAMP, SUPPLY CORD    | 91500307 |           |           |           |           |            |            |           |           |           |           |           | 999  |
| *                               | CLAMP, SUPPLY CORD    | 91500305 |           |           |           |           |            |            |           |           |           |           |           | 999  |
| *                               | CLAMP, SUPPLY CORD    | 91500306 |           |           | 2         | 2         | 2          | 2          | 2         | 2         | 2         |           |           | 999  |
| 34                              | GROMMET, COMP.        | 61028900 | 3         |           | 3         | 3         | 3          | 3          | 3         | 3         | 3         | 3         | 3         | 790  |
| 34                              | GROMMET, COMP.        | 01150934 |           | 3         |           |           |            |            |           |           |           |           |           | 790  |
| 35                              | SCREW, COMP.          | 91400400 | 3         | 3         | 3         | 3         | 3          | 3          | 3         | 3         | 3         | 3         | 3         | 999  |
| 36                              | PLENIUM ASLY.         | 61810206 | 1         | 1         | 1         | 1         | 1          | 1          | 1         | 1         | 1         | 1         | 1         | 753  |
| 37                              | GRILLE, INTAKE        | 61811111 | 1         | 1         | 1         | 1         | 1          | 1          | 1         | 1         | 1         | 1         | 1         | 772  |
| *                               | LATCH, GRILLE INTAKE  | 61989000 | 2         | 2         | 2         | 1         | 2          | 2          | 2         | 2         | 2         | 2         | 2         | 999  |
| 38                              | OUTER SHELL           | 61825706 | 1         | 1         | 1         | 1         | 1          | 1          | 1         | 1         | 1         | 1         | 1         | 770  |
| 39                              | SILL PLATE            | 61808413 | 1         | 1         | 1         | 1         | 1          | 1          | 1         | 1         | 1         | 1         | 1         | 999  |
| *                               | CHASSIS GUIDE, SHELL  | 61819601 | 2         | 2         | 2         | 2         | 2          | 2          | 2         | 2         | 2         | 2         | 2         | 999  |
| *                               | CHASSIS RETAINER      | 61826400 | 1         | 1         | 1         | 1         | 1          | 1          | 1         | 1         | 1         | 1         | 1         | 999  |
| *                               | FRIEDRICH SCRIPT      | 60169110 | 1         | 1         | 1         | 1         | 1          | 1          | 1         | 1         | 1         | 1         | 1         | 999  |
| *                               | PUSHNUTS, SCRIPT      | 91002900 | 2         | 2         | 2         | 2         | 2          | 2          | 2         | 2         | 2         | 2         | 2         | 999  |
| 40                              | WINGBOARD             | 60294415 |           |           | 1         | 1         | 1          | 1          | 1         | 1         | 1         |           |           | 999  |
| 41                              | BRACKET, SUPPORT      | 61109513 |           |           | 2         | 2         | 2          | 2          | 2         | 2         | 2         |           |           | 999  |
| 42                              | ANGLE, WINGBOARDS     | 61819813 |           |           | 2         | 2         | 2          | 2          | 2         | 2         | 2         |           |           | 999  |
| 43                              | ANGLE, TOP SUPPORT    | 61819711 |           |           | 1         | 1         | 1          | 1          | 1         | 1         | 1         |           |           | 999  |
| *                               | HARDWARE (SCREWS)     | 60846017 | 1         | 1         |           |           |            |            |           |           |           | 1         | 1         | 999  |
| *                               | HARDWARE (SCREWS)     | 60846016 |           |           | 1         | 1         | 1          | 1          | 1         | 1         | 1         |           |           | 999  |
| 45                              | GASKET, CHASSIS       | 61717301 | 1         | 1         | 1         | 1         | 1          | 1          | 1         | 1         | 1         | 1         | 1         | 780  |
| 45                              | GASKET, WINDOW        | 60073300 |           |           | 1         | 1         | 1          | 1          | 1         | 1         | 1         |           |           | 780  |
| 46                              | GASKET, VINYL         | 60610304 |           |           | 1         | 1         | 1          | 1          | 1         | 1         | 1         |           |           | 780  |
| *                               | CARTON, SHIPPING      | 61841916 | 1         | 1         | 1         | 1         | 1          | 1          | 1         | 1         | 1         | 1         | 1         | 999  |
| <b>OPTIONAL ACCESSORY ITEMS</b> |                       |          |           |           |           |           |            |            |           |           |           |           |           |      |
| *                               | DRAIN KIT, DC-2       | 01900235 | 1         | 1         | 1         | 1         | 1          | 1          | 1         | 1         | 1         | 1         | 1         |      |
| *                               | START KIT, CAP.RELAY  | 61008903 | 1         | 1         | 1         | 1         | 1          | 1          | 1         | 1         | 1         | 1         | 1         |      |

\* PARTS NOT SHOWN

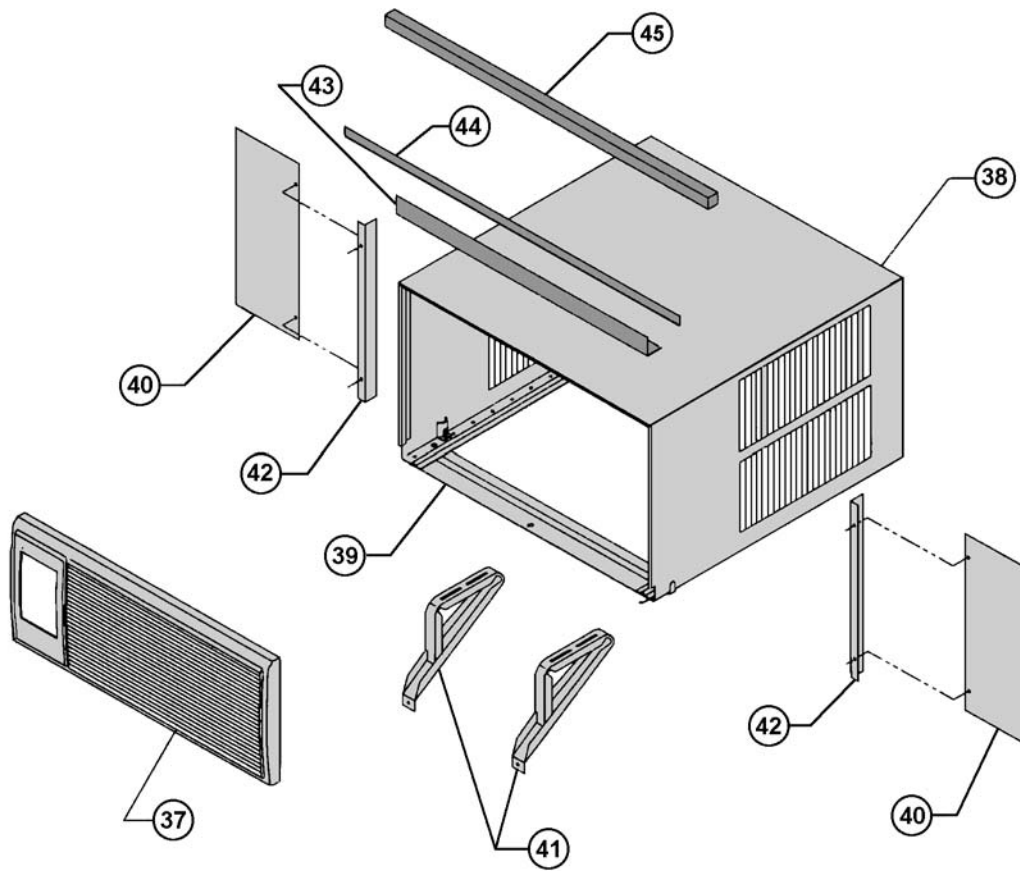
# LARGE CHASSIS "L" SERIES

## CHASSIS PARTS (SL, EL, & YL)



## LARGE CHASSIS "L" SERIES

### CABINET & MOUNTING PARTS (SL, EL, & YL)



## LARGE CHASSIS "L" SERIES

| REF                        | DESCRIPTION                  | PART NO. | SL        |            | EL         | YL        |           | CODE |
|----------------------------|------------------------------|----------|-----------|------------|------------|-----------|-----------|------|
|                            |                              |          | SL28L30-C | SL36L30A-C | EL36L34A-C | YL24L35-C | YL24L35-D |      |
| <b>ELECTRICAL PARTS</b>    |                              |          |           |            |            |           |           |      |
| 1                          | THERMOSTAT                   | 61828500 | 1         | 1          |            |           |           | 120  |
| 1                          | THERMOSTAT                   | 61828400 |           |            | 1          | 1         | 1         | 120  |
| *                          | THERMOSTAT, DEF.             | 61350314 |           |            |            | 1         | 1         | 122  |
| 4                          | CAPACITOR                    | 61080529 |           |            |            | 1         |           | 150  |
| 4                          | CAPACITOR                    | 61080557 | 1         |            |            |           |           | 150  |
| 4                          | CAPACITOR                    | 61080527 |           | 1          | 1          |           | 1         | 150  |
| 5                          | SUPPLY CORD                  | 60500323 | 1         |            |            |           |           | 220  |
| 5                          | SUPPLY CORD                  | 60500341 |           | 1          | 1          | 1         | 1         | 220  |
| 3                          | RESISTOR                     | 61808001 | 1         | 1          | 1          | 1         | 1         | 200  |
| 6                          | SWITCH SYS. 5 POS.           | 60607203 | 1         | 1          |            |           |           | 130  |
| 6                          | SWITCH SYS. 8 POS.           | 60607204 |           |            | 1          | 1         | 1         | 130  |
| 7                          | SWITCH (YES - NO)            | 61806105 | 1         | 1          | 1          | 1         | 1         | 132  |
| 8                          | FAN MOTOR                    | 61871466 |           | 1          | 1          |           |           | 110  |
| 8                          | FAN MOTOR                    | 61871467 | 1         |            |            | 1         | 1         | 110  |
| *                          | SOLENOID                     | 25063605 |           |            |            |           | 1         | 240  |
| *                          | SOLENOID and REVERSING VALVE | 25022032 |           |            |            | 1         |           | 240  |
| 8A                         | HEATER                       | 61878612 |           |            | 1          | 1         | 1         | 210  |
| *                          | COMPRESSOR HARNESS           | 61821409 | 1         |            |            | 1         | 1         | 270  |
| *                          | COMPRESSOR HARNESS           | 61821405 |           | 1          | 1          |           |           | 270  |
| <b>REFRIGERATION PARTS</b> |                              |          |           |            |            |           |           |      |
| 9                          | COMPRESSOR                   | 61716652 |           |            |            | 1         | 1         | 600  |
| 9                          | COMPRESSOR                   | 61716650 | 1         |            |            |           |           | 600  |
| 9                          | COMPRESSOR                   | 61716669 |           | 1          | 1          |           |           | 600  |
| 10                         | EVAPORATOR COIL              | 62050001 | 1         | 1          | 1          |           | 1         | 400  |
| 10                         | EVAPORATOR COIL              | 61850003 |           |            |            | 1         |           | 400  |
| 11                         | CONDENSER COIL               | 61850223 |           | 1          | 1          |           |           | 410  |
| 11                         | CONDENSER COIL               | 61850224 | 1         |            |            |           |           | 410  |
| 11                         | CONDENSER COIL               | 61850203 |           |            |            | 1         | 1         | 410  |
| *                          | DRIER, LIQUID                | 60308101 | 1         | 1          | 1          | 1         | 1         | 480  |
| *                          | Drier/Ck Valve/ Cap Tube     | 92500001 |           |            |            | 1         | 1         | 480  |
| *                          | REVERSING VALVE              | 25018705 |           |            |            |           | 1         | 240  |
| *                          | REVERSING VALVE and SOLENOID | 25022032 |           |            |            | 1         |           | 500  |
| *                          | CAPILLARY TUBE (HEAT)        | 01389905 |           |            |            | 1         | 1         | 471  |
| *                          | CAPILLARY TUBE (COOL)        | 03760518 |           |            |            | 1         | 1         | 471  |
| *                          | CAPILLARY TUBE               | 01390005 | 2         | 2          | 2          |           |           | 471  |

\* PARTS NOT SHOWN

## LARGE CHASSIS "L" SERIES

| REF                         | DESCRIPTION                 | PART NO. | SL        |            | EL         | YL        |           | CODE |
|-----------------------------|-----------------------------|----------|-----------|------------|------------|-----------|-----------|------|
|                             |                             |          | SL28L30-C | SL36L30A-C | EL36L34A-C | YL24L35-C | YL24L35-D |      |
|                             | <b>CHASSIS PARTS</b>        |          |           |            |            |           |           |      |
| *                           | SHROUD, W/SUMP LRG          | 61807702 | 1         | 1          | 1          | 1         | 1         | 720  |
| 13                          | FAN BLADE, COND.            | 60542007 | 1         | 1          | 1          | 1         | 1         | 710  |
| 14                          | BLOWER WHEEL, EVAP.         | 60610602 | 1         |            |            | 1         | 1         | 700  |
| 14                          | BLOWER WHEEL, EVAP.         | 60610609 |           | 1          | 1          |           |           | 700  |
| 15                          | BRACE, COND.SHROUD          | 61810000 | 3         | 3          | 3          | 3         | 3         | 722  |
| 16                          | SCROLL                      | 61818100 | 1         | 1          | 1          | 1         | 1         | 743  |
| 17                          | BLOWER FRONT                | 61817800 | 1         | 1          | 1          | 1         | 1         | 742  |
| 25                          | BRACKET, HTR                | 61818900 |           |            | 1          | 1         | 1         | 999  |
| 27                          | BASE PAN                    | 61807111 |           | 1          |            |           |           | 730  |
| 27                          | BASE PAN                    | 61807114 | 1         |            |            |           |           | 730  |
| 27                          | BASE PAN                    | 61809513 |           |            |            | 1         | 1         | 730  |
| 27                          | BASE PAN                    | 61809511 |           |            | 1          |           |           | 730  |
| *                           | BELLOWS, DRAIN VALVE        | 60179903 |           |            | 1          | 1         | 1         | 801  |
| *                           | DRAIN PAN, EVAP.            | 61807400 | 1         | 1          | 1          | 1         | 1         | 840  |
| *                           | GRILLE, REAR                | 61818502 | 1         | 1          | 1          | 1         | 1         | 771  |
| 29                          | PANEL, CTRL. MOUNT          | 61806950 | 1         | 1          | 1          | 1         | 1         | 999  |
| 31                          | PARTITION, CTRL. BOX        | 61807000 | 1         | 1          |            |           |           | 999  |
| 31                          | PARTITION, CTRL. BOX        | 61807001 |           |            | 1          | 1         | 1         | 999  |
| 32                          | DECORATIVE PANEL            | 61822650 | 1         | 1          | 1          |           |           | 999  |
| 32                          | DECORATIVE PANEL            | 61823360 |           |            |            | 1         | 1         | 999  |
| 33                          | KNOBS, CRTL.                | 61493915 | 2         | 2          | 2          | 2         | 2         | 761  |
| *                           | BRACKET,RESISTOR BLK        | 61820600 | 1         | 1          | 1          | 1         | 1         | 999  |
| 23                          | MOUNT, FAN MOTOR            | 61806700 | 1         | 1          | 1          | 1         | 1         | 900  |
| *                           | HOLDER, AIR FILTER          | 61823000 | 2         | 2          | 2          | 2         | 2         | 756  |
| *                           | FILTER, AIR                 | 60865810 | 1         | 1          | 1          | 1         | 1         | 754  |
| *                           | CLAMP, SUPPLY CORD          | 91500306 | 2         |            |            |           |           | 999  |
| *                           | CLAMP, SUPPLY CORD          | 91500308 |           | 2          | 2          | 2         | 2         | 999  |
| 34                          | GROMMET, COMP.              | 01150934 | 3         | 3          | 3          | 3         | 3         | 790  |
| 35                          | SCREW, COMP.                | 91400400 | 3         | 3          | 3          | 3         | 3         | 999  |
| 36                          | PLENIUM ASLY.               | 61810506 | 1         | 1          | 1          | 1         | 1         | 753  |
| 37                          | GRILLE, INTAKE              | 61810406 | 1         |            | 1          | 1         | 1         | 772  |
| *                           | LATCH, GRILLE INTAKE. METAL | 61989000 | 2         | 2          | 2          | 2         | 2         | 772  |
| 38                          | OUTER SHELL                 | 61825707 | 1         | 1          | 1          | 1         | 1         | 770  |
| 39                          | SILL PLATE                  | 61808411 | 1         | 1          | 1          | 1         | 1         | 999  |
| *                           | CHASSIS GUIDE, SHELL        | 61819601 | 2         | 2          | 2          | 2         | 2         | 999  |
| *                           | FRIEDRICH SCRIPT            | 60169110 | 1         | 1          | 1          | 1         | 1         | 999  |
| *                           | PUSHNUTS, SCRIPT            | 91002900 | 2         | 2          | 2          | 2         | 2         | 999  |
| 40                          | WINGBOARD                   | 60294425 | 1         | 1          |            |           |           | 999  |
| *                           | HARDWARE (SCREWS)           | 60846016 | 1         | 1          |            |           |           | 999  |
| *                           | HARDWARE (SCREWS)           | 60846017 |           |            | 1          | 1         | 1         | 999  |
| 45                          | GASKET, CHASSIS             | 61717301 | 1         | 1          | 1          | 1         | 1         | 780  |
| 45                          | GASKET, WINDOW              | 60073300 | 1         | 1          |            |           |           | 780  |
| 44                          | GASKET, VINYL               | 60610304 | 1         | 1          |            |           |           | 780  |
| *                           | CARTON, SHIPPING            | 61841917 | 1         | 1          | 1          | 1         | 1         | 999  |
| 43                          | ANGLE, TOP SUPPORT          | 61819713 | 1         | 1          |            |           |           | 999  |
| 42                          | ANGLE, WINGBOARDS           | 61819815 | 2         | 2          |            |           |           | 999  |
| <b>OPTIONAL ACCESSORIES</b> |                             |          |           |            |            |           |           |      |
| *                           | ACCESSORY PKGE.             | WIKL     |           |            | 1          | 1         | 1         |      |
| *                           | HARD START KIT              | 61840900 | 1         | 1          | 1          | 1         | 1         |      |

\* PARTS NOT SHOWN

**Use Factory-Certified Parts.**

***Friedrich***

**FRIEDRICH AIR CONDITIONING CO.**

Post Office Box 1540 · San Antonio, Texas 78295-1540

4200 N. Pan Am Expressway · San Antonio, Texas 78218-5212

(210) 357-4400 · FAX (210) 357-4480

[www.friedrich.com](http://www.friedrich.com)

Printed in the U.S.A.

920-132-02 (3-07)